



Solid jet nozzles for air or saturated steam

Series 544

Series 544

The solid jet nozzles of the 544 series generate a targeted solid jet of air. These nozzles are from Lechler's standard range, which offer a large choice of different performance ratings. The stainless steel version of this series also permits use at higher temperatures.



* Complies with OSHA requirements on noise level



Material
Stainless steel
303 SS



Blowing force
0.25-2.9 N at 2 bar



Noise level
65-90 db(A) at 2 bar



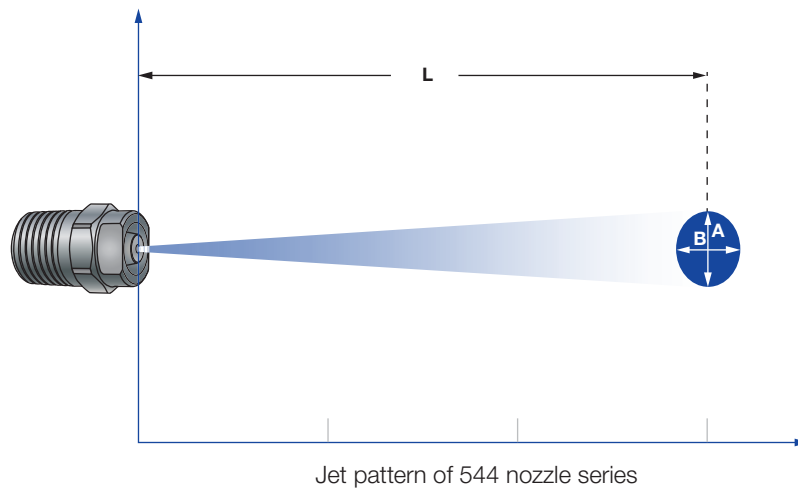
Air consumption
see table



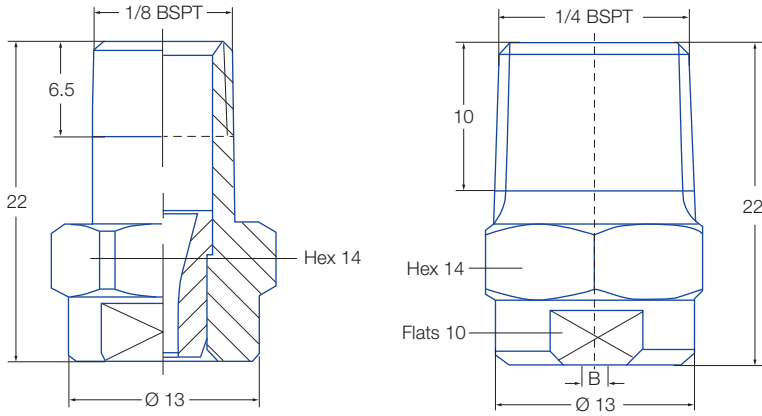
Pressure
 $p_{max} = 30 \text{ bar}$



Max. temperature
550 °C



Pressure:		1 bar	3 bar	5 bar
544.360	Distance L [mm]:	175	325	400
	A [mm]:	50	75	100
	B [mm]:	50	75	100
544.480	Distance L [mm]:	250	400	475
	A [mm]:	70	120	150
	B [mm]:	70	120	150
544.640	Distance L [mm]:	400	650	825
	A [mm]:	105	175	225
	B [mm]:	105	175	225
544.800	Distance L [mm]:	750	900	900
	A [mm]:	180	260	280
	B [mm]:	180	260	280



Ordering no.				B Ø [mm]	\dot{V}_n Air [m³/h]				\dot{M} Saturated steam [kg/h]				
Type	Mat. no.	Code			p [bar]				p [bar]				
	16	303 SS	1/8 BSPT		1/4 BSPT	1	2	3	5	1	2	3	5
	CA		CC										
544.360	○	CA	CC	1.05	0.93	1.40	1.92	2.88	0.77	1.14	1.64	2.42	
544.400	○	CA	CC	1.30	1.43	2.14	2.94	4.41	1.18	1.75	2.51	3.71	
544.480	○	CA	CC	1.33	1.67	2.51	3.42	5.13	1.39	2.06	2.92	4.23	
544.560	○	CA	CC	1.69	2.58	3.87	5.27	7.90	2.14	3.18	4.50	6.66	
544.640	○	CA	CC	2.09	4.33	6.50	8.81	13.22	3.60	5.33	7.52	11.13	
544.720	○	CA	CC	2.66	6.85	10.27	14.00	21.02	5.68	8.42	11.96	17.70	
544.800	○	CA	CC	3.30	10.75	16.12	21.87	32.81	8.92	13.21	18.66	27.63	

B = bore diameter

Example of ordering: Type + Mat. no. + Code = Ordering no.
 544.360 + 16 + CA = 544.360.16.CA