



Maxi multi-channel flat jet nozzles for air Series 600.385.35

Series 600.385.35

The maxi multi-channel flat jet nozzles of the 600.385 series generate a continuous very powerful air jet. Due to the large nozzle cross-section, this nozzle focuses large quantities of air into a concentrated jet that has a powerful impact even over large distances. Despite this, the noise level still remains low.



Cost savings

28 %



Noise reduction

15 %



Materials

Brass nickel plated,
PVC



Blowing force

11.5 N at 2 bar



Noise level

91.5 db(A) at 2 bar



Air consumption

$V_{LN} = 100 \text{ m}^3/\text{h}$ at 2 bar



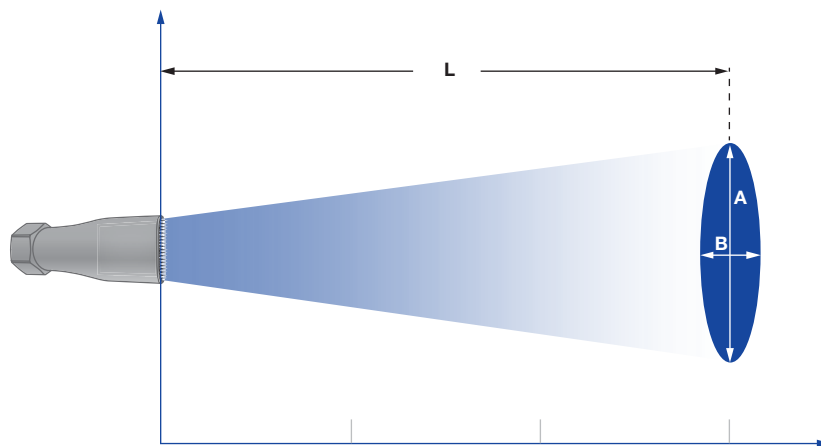
Pressure

$p_{max} = 10 \text{ bar}$



Max. temperature

50 °C

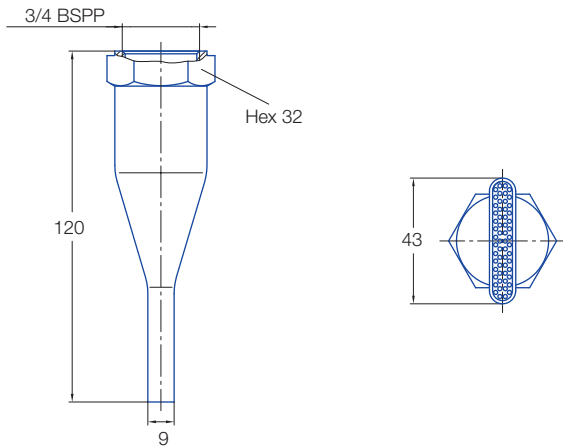


Jet pattern of 600.385.35 nozzle series

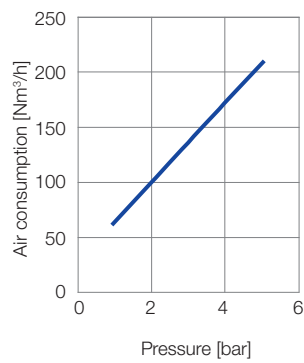
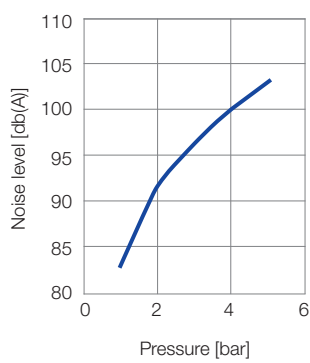
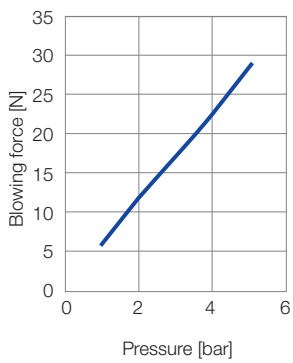
Pressure:	1 bar	3 bar	5 bar
Distance L [mm]:	775	775	775

Jet dimensions at L

A [mm]:	205	255	270
B [mm]:	200	245	270



Technical data



Ordering no.		
Type	Mat. no.	Code
	35 Brass nickel plated/PVC	3/4 BSPP
600.385.	○	AL

Example of ordering: Type + Mat. no. + Code = Ordering no.
 600.385. + 35 + AL = 600.385.35.AL