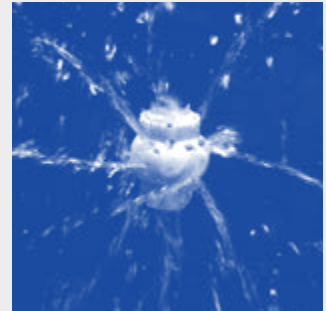




Rotating cleaning nozzles »PTFE Whirly« Series 573/583

Series 573/583

The PTFE Whirly is of particular interest for applications in the chemical, pharmaceutical and food industries. It works with rotating solid jets and is suitable for use in corrosive environments. The slip-on connection has a 3-A certification and can be used in areas subject to particularly high hygiene requirements, such as contact with food.



Function video
Scan the QR-code or go to:
www.lechler.com/ptfewhirly



	Max. tank diameter [m]	0	1	2	3	4	5	6	7	8	9
--	-------------------------------	---	---	---	---	---	---	---	---	---	---



Material
PTFE



Max. temperature
95 °C (versions for use with higher temperature (130 °C) on request)



Recommended operating pressure
2 bar



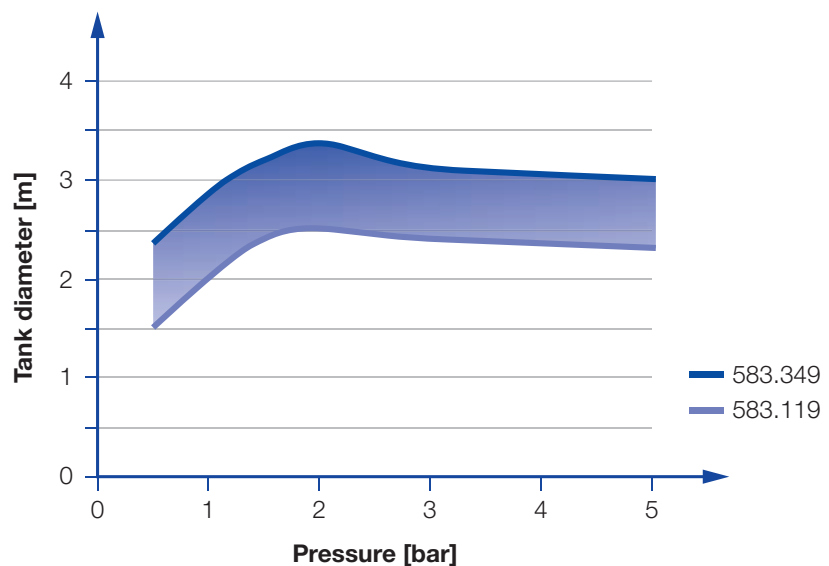
Installation
Operation in every direction is possible



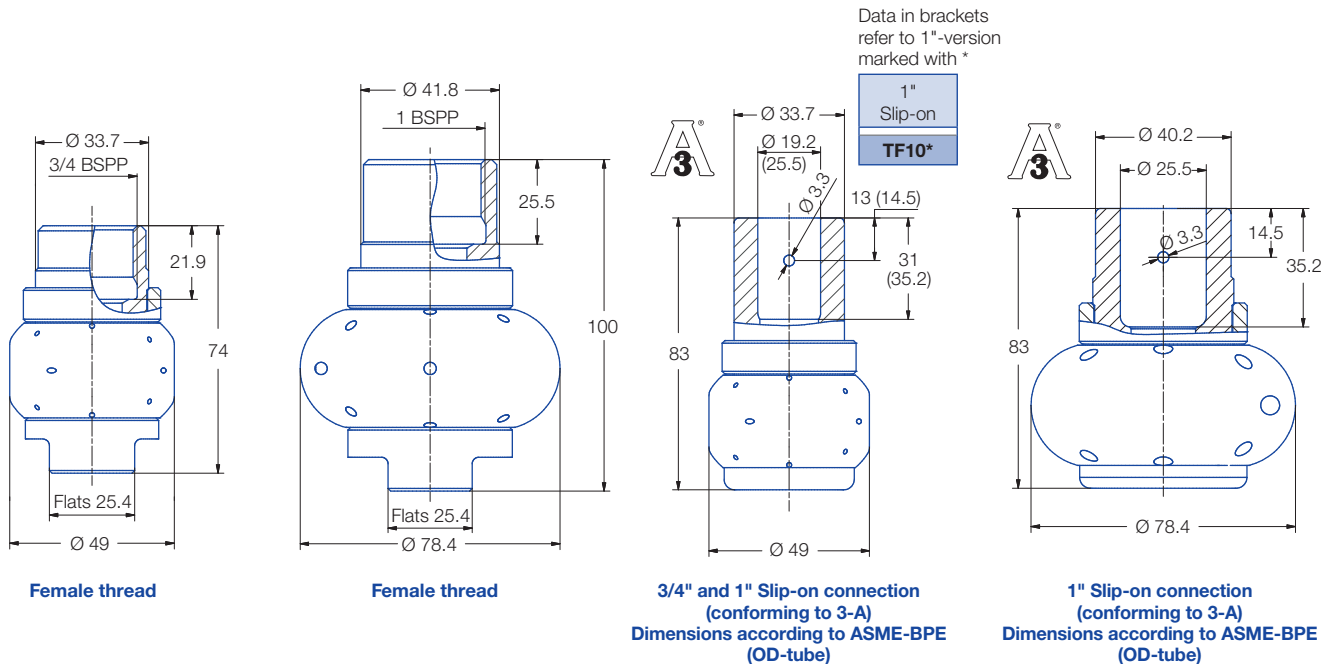
Filtration
Line strainer with a mesh size of 0.3 mm/50 mesh



Bearing
Slide bearing made of PTFE



Overview of the tank diameter, depending upon the pressure of series 573/583



Spray angle	R-clip	Ordering no.				E \varnothing [mm]	\dot{V} [l/min]				Max. tank diameter [m]	
		Type	Connection				p [bar] ($p_{max} = 6$ bar)					
			3/4 BSPP	1 BSPP	3/4" Slip-on		1" Slip-on	1	2	3		at 40 psi [US gal/min]
270°	1)	583.116.55	AL	-	TF07	-	2.4	47	67	82	21	2.5
	2)	583.346.55	-	-	-	TF10	5.9	159	225	276	70	3.2
270°	1)	573.116.55	AL	-	TF07	-	2.4	47	67	82	21	2.5
360°	1)	583.119.55	AL	-	TF07	TF10*	1.8	41	58	71	18	2.4
	1)	583.209.55	AL	-	TF07	TF10*	3.5	71	100	122	31	2.5
	1)	583.269.55	AL	-	TF07	-	4.8	103	145	178	45	2.8
	2)	583.279.55	-	AN	-	TF10	3.7	106	150	184	47	3.0
	2)	583.349.55	-	AN	-	TF10	5.6	159	225	276	70	3.2

E = narrowest free cross-section · NPT on request
* See drawing 3 for details

The maximum tank diameter shown above applies for the recommended operating pressure and is indicative only. The cleaning result is also affected by the type of soiling.

Information on operation

- Operation with compressed air only for short-term usage. Operation above the recommended operating pressure has negative effects on the cleaning result and wear.

Slip-on information

- R-clip made of 316L SS is included (Ordering no.: R-clip 1: 095.013.17.06.60, R-clip 2: 095.013.17.06.61).
- Depending on diameter of the adapter the flow rate can increase due to leakage between connecting pipe and rotating cleaning nozzle.

Example of ordering:	Type	+	Connection	=	Ordering no.
	583.119.55.	+	AL	=	583.119.55.AL