

BBS/FDL

BALL VALVE WITH ROTATABLE FLANGES

DN 10-25 | PN 10-250

FULL BORE

MATERIALS

MATERIALS	PN	DN	Type 1	Type 2
Body	10-250	10-25	Steel	Steel
Ball	10-40	10-25	Brass	Steel, hard chromed
	63-250	10-25	Steel, hard chromed	Steel, hard chromed
	10-25	10-25	NBR	PTFE
Sealings	40	10-25	NBR withStahlring	PTFE
	63-250	10-25	Polyamid	PTFE

INFORMATION

Ball Valve with rotatable flanges

/// Length face-to-face DIN EN 558 FTF 1 / FTF 28

/// Flange dimensions DIN 2501 Blatt 1

/// TÜV-type approval

/// The lever is included

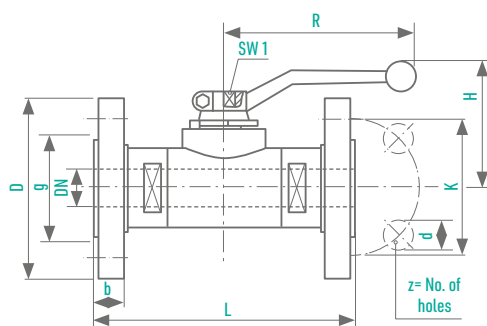
OPTIONS

/// DIN-DVGW-Approval for Gas

/// TÜV-type approval

/// Other shapes of flange sealing surfaces on request

/// Special designs on request



	PN		L [mm]	D [mm]	g [mm]	K [mm]	b [mm]	z [mm]	d [mm]	H [mm]	R [mm]	SW1 [mm]	Wght* [kg]	Order-Number		
	DN [mm]	NBR												PTFE	Type 1	Typ 2
PN 10-25 Raised face	10	25	25	130	90	40	60	16	4	14	88	180	10	2,2	0120967	0120986
	15	25	25	130	95	45	65	16	4	14	90	180	10	2,4	0120968	0120987
	20	25	25	150	105	58	75	18	4	14	92	180	10	3,3	0120969	0120988
	25	25	25	160	115	68	85	18	4	14	95	180	12	4,4	0120970	0120989
PN 40 Raised face	10	40	40	130	90	40	60	16	4	14	88	180	10	2,2	0120971	0120990
	15	40	40	130	95	45	65	16	4	14	90	180	10	2,4	0120972	0120991
	20	40	40	150	105	58	75	18	4	14	92	180	10	3,3	0120973	0120992
	25	40	40	160	115	68	85	18	4	14	95	180	12	4,4	0120974	0120993
PN 63-160 Raised face	10	160	160	130	100	40	70	20	4	14	99	160	10	2,4	0120975	0120994
	15	160	160	130	105	45	75	20	4	14	101	160	10	3,2	0120976	0120995
	25	160	150	160	140	68	100	24	4	18	105	180	12	6,7	0120978	0120996
PN 250 Raised face	10	250	250	130	125	40	85	24	4	18	99	160	10	4,5	0120979	0120998
	15	250	250	130	130	45	90	26	4	18	101	160	10	5	0120980	0120999
	25	250	150	160	150	68	105	28	4	22	105	180	12	7,9	0120981	0121000

* Weight refers to type 1. Weight of type 2 may differ.