

BBS/TDS

STAINLESS STEEL-BALL VALVE WITH WELD ENDS

DN 10-100 | PN 40-63

FULL BORE

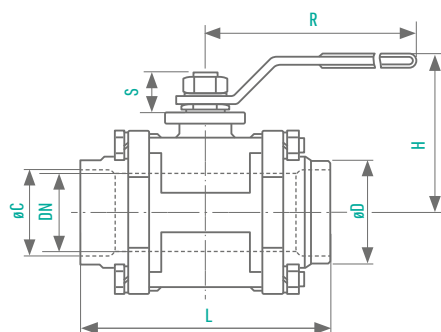
INFORMATION

MATERIALS

OPTIONS

Body	Stainless steel
Fittings	Stainless steel
Ball	Stainless steel
Sealings	PTFE
Stem	Stainless steel
Stem retainer	Stainless steel

/// Special designs on request



DN [mm]	PN [bar]	L [mm]	C [mm]	D [mm]	H [mm]	R [mm]	W1 [mm]	W2 [mm]	SW [mm]	Weight [kg]	Order Number
10	63	65	10	13,7	54	102	M5	36	4,5	0,5	0400200
12	63	65	12	17,1	54	102	M5	36	4,5	0,5	0400201
15	63	71	16	21,3	55	102	M5	36	4,5	0,6	0400202
20	63	85	21	28,7	65	126	M5	36	6,5	0,8	0400203
25	63	95	28	33,4	71	126	M5	36	6,5	1,1	0400204
32	63	112	35	42,2	89	150	M6	50	9,5	2,1	0400205
40	63	123	41	48,3	94	150	M6	50	9,5	2,6	0400206
50	63	141	53	60,3	100	186	M6	50	9,5	4	0400207
65	40	173	63	73	212	272	M8	70	12	8	0400208
80	40	192	78	88,9	134	272	M10	102	12	13	0400209
100	40	225	102	114,3	172	335	M10	102	16	21	0400210

Mounting holes:
See Data Sheet: „OPTIONS“

