



## BBS/TZG

### STAINLESS STEEL BALL VALVE WITH THREADED PORTS

DN 10-50 | PN 63

FULL BORE

## INFORMATION

### Ball Valve with female threads

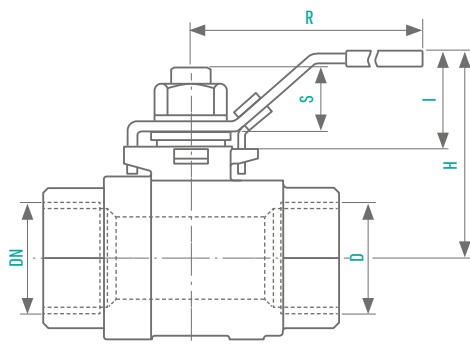
/// The lever with locking device is included in the scope of delivery

## MATERIALS

Body	Stainless steel
Fittings	Stainless steel
Ball	Stainless steel
Sealings	PTFE
Stem	Stainless steel
Stem retainer	Stainless steel

## OPTIONS

/// Special designs on request



### 7 BSP female thread DIN ISO 228/1

DN [mm]	PN [bar]	g [Inch]	L [mm]	D [mm]	H [mm]	i [mm]	S [mm]	R [mm]	F [mm]	W [mm]	Weight [kg]	Order Number
10	63	1/4	50	1/4"	47	27	11	97,5	39	28,5	0,3	0400300
12	63	3/8	60	3/8"	54	27	11	97,5	39	28,5	0,3	0400301
15	63	1/2	75	1/2"	57,5	39	14	123	37,5	28,5	0,4	0400302
20	63	3/4	80	3/4"	63	39,5	13	123	44,5	35	0,5	0400303
25	63	1	90	1"	71,5	45,5	18,5	145	44,5	35	0,9	0400304
32	63	1 1/4	110	1 1/4"	88	47	18,5	145	47,5	38	1,4	0400305
40	63	1 1/2	120	1 1/2"	93	48,5	24	189	47,5	38	2	0400306
50	63	2	140	2"	101	50	24	189	47,5	38	3,2	0400307

