

Flat suction-submersible drainage pump with cooling jacket for clear water.

C80 W

Application

Pump for pumping clean water. For low level suction down to a residual water level of approx. 2 mm. Emergency pump for flooding. Circulation pump for garden ponds. A cooling jacket with discharge connector at the top ensures sufficient motor cooling at low water level (sip operation).

Installation: Stationary or mobile.

Pumped medium: Clear water containing soft solids with a diameter of max. 1 mm.

Max. temperature of pumped medium: 35°C.

Operating mode: Continuous operation (S1).

Design

Submersible pump, consisting of:

Pump: Single-stage centrifugal pump with vertical discharge G 3/4.

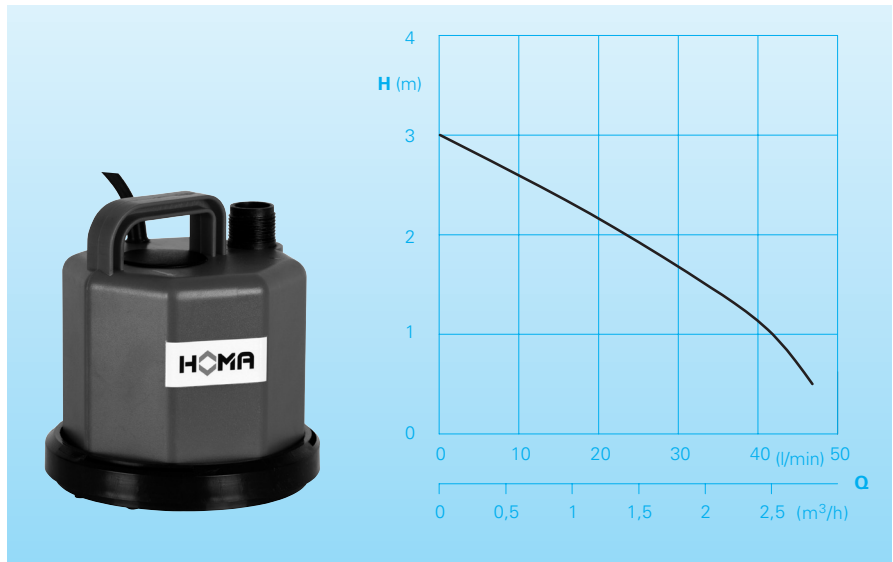
Impeller: Open multi-blade impeller, free passage 1 mm.

Motor: Canned wet-rotor, seal-less, rotor shaft lubricated by pumped liquid. Insulation class B. Motor protection IP 68.

Shaft/bearing: Stainless steel-ceramic shaft, slide bearing.

Connecting cable: H05RN-F3G0,75

Conveying capacity



Technical data

Pump type	Motor input		Voltage 50 Hz (V)	Nominal current (A)	Connecting cable (m)	Weight (kg)
	P ₁ (kW)	P ₂ (kW)				
C80 W	0,08	0,04	230/1Ph	1,2	10 m	2,5

Rotational speed: 2800 rpm

Discharge: G 3/4

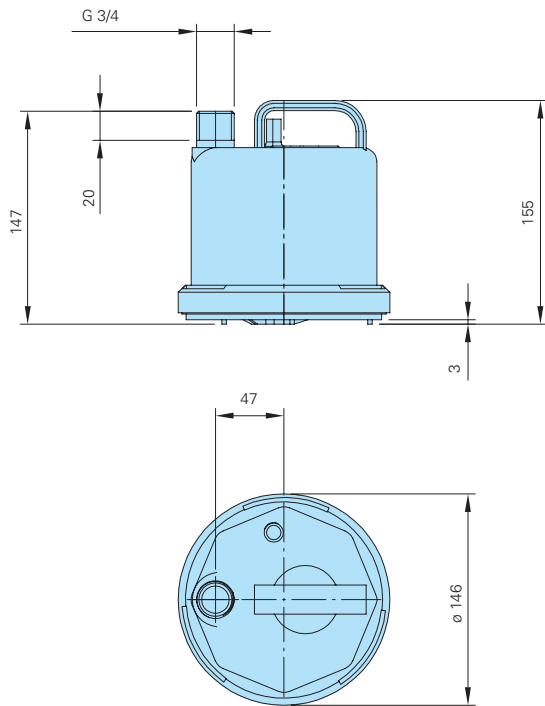
Materials

Suction sieve, outer housing	impact-resistant plastic
Impeller	impact-resistant plastic

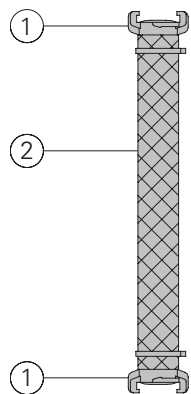
Scope of supply

Pump with 10 m of connecting cable and mains plug.

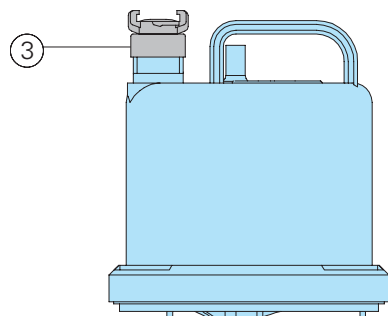
Dimensions (all dimensions in mm)



Accessories



Description	Size	Part no.
① Hose coupling, brass	1"	2003313
② PVC-hose, per m	1" Ø 25 mm	2621000
Plastic spiral hose, per m	1" Ø 25 mm	2632025
Hose clamp	¾"-1"	2302330
③ Fixed coupling, Brass	R ¾" F	2005322
○ Fault-current circuit breaker 2-pin, Fi 16/0.03 A		1561160



We reserve the right to alter our specifications without notice!