



easy chain[®]

Easy to fill and cost-effective



Advantages of the easy chain[®] series:

- Easy filling without opening and closing the lids
- If quiet running is required
- If a light and cost-effective e-chain[®] is required
- For high accelerations



When to use another e-chain[®] series:

- For applications with large unsupported lengths
 - ▶ E2/000, page 374
- If secure closing of the crossbars is required
 - ▶ E2/000, page 374
- If openable crossbars are not necessary
 - ▶ E2 micro, page 334
- Version Z is not suitable for gliding applications
 - ▶ zipper, page 240



Universal connection: mounting bracket with integrated strain relief

Quick assembly: "easy" design - simply press cables in without opening and closing crossbars

Flexible: easy to lengthen and shorten at any point

Keep order: interior separation possible with moulded chamber design (some types)

Cost-effective: low price with one-piece design

Cleanroom: suitable for cleanroom applications

Flexible: torsional motion possible

Flammability class: UL94-V2

Easy to fill and cost-effective - easy chain®

Cost-effective, easy to fill e-chains® are available in two versions. In the "E" version the cable is simply installed from the outside, and in the "Z" version from the inside. The primary reason to choose easy chains® is to save time when fitting cables. The material, igumid NB, presents more application opportunities due to its flexibility, UL94-V2 classification and excellent cleanroom qualities. The one-piece design keeps the easy chain® very cost-effective.

Typical industries and applications

- Cleanroom applications
- Electronics machines
- Office furniture
- Vending machines
- Packaging machines
- General machinery, etc.



IPA Qualification Certificate - Report IG 0308-295:
ISO Class 2, according to DIN EN ISO 14644-1 for easy chain®, series E14.3.038 at v = 1.0m/s



Electrically conductive
ESD e-chains® upon request



With easy chain® rotary and torsional motions are possible



42 dB(A) - value determined at the igus® test-lab, v = 1.0m/s unsupported, series E06.10.038.0



UL94-V2 classification



Available from stock. Ready to ship in 24 - 48hrs.*

*Average time before the ordered goods are dispatched.

Chamber design	Series	Inner height <i>hi</i> [mm]	Inner width <i>Bi</i> [mm]	Outer width <i>Ba</i> [mm]	Outer height <i>ha</i> [mm]	Bend radius <i>R</i> [mm]	Unsupported length ≤ [m]	Page
----------------	--------	--------------------------------	-------------------------------	-------------------------------	--------------------------------	------------------------------	--------------------------	------



easy chain® - version "E"
"easy" design - split crossbar along the outer radius


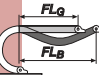


1-chamber 	E03	5	5 - 10	8.7 - 13.7	8	010 - 028	0.40	218
	E04	7	7	13	10	015 - 048	0.55	220
	E045	9.4	10 - 16	16 - 23	12.5	018 - 038	0.40	222
	E06	10.7	10 - 20	16.5 - 26.5	15	018 - 038	0.55	224
	E065	11.3	16	24.8	15	018 - 038	0.60	226
	E08	14.6	10 - 50	18.2 - 58.2	19.3	028 - 048	1.00	228
	E14	19	15 - 50	27 - 62	25	028 - 125	0.65	230
	E200	24.3	57	74.4	35	055 - 200	1.75	232
	E16	32	23 - 100	37.5 - 115.3	39	040 - 125	1.00	234
	E26	36.5	75	92	50	063 - 250	2.00	236
2-chamber 	E300	48.5	75	95	64	075 - 300	2.25	238
	E045.2	9.4	7 - 9	23 - 27	12.5	018 - 038	0.40	222
	E065.2	11.3	9	29.3	15	018 - 038	0.60	226
	E200.2	24.3	37 - 50	94.4 - 120.4	35	055 - 200	1.75	232
3-chamber 	E26.2	37.1	48	117	50	063 - 250	2.00	236
	E300.2	48.5	48	120	64	075 - 300	2.25	238
	E045.3	9.4	9	37	12.5	018 - 038	0.40	222
4-chamber 	E065.3	11.3	9	39.3	15	018 - 038	0.60	226
	E26.3	37.1	47	167	50	063 - 250	2.00	236
	E300.3	48.5	47	170	64	075 - 300	2.25	238
	E065.4	11.3	9	49.3	15	018 - 038	0.60	226



easy chain® - version "Z"
"easy" design - split crossbar along the inner radius

1-chamber 	Z045	9.4	16	23	12.5	018 - 038	0.40	222	
	Z06	10.5	10 - 20	16.5 - 26.5	15	018 - 038	0.55	224	
	Z08	14.7	10 - 50	18.2 - 58.2	19.3	028 - 048	1.00	228	
	Z14	19	15 - 50	27 - 62	25	028 - 125	0.65	230	
	Z200	24.3	57	74.4	35	055 - 200	1.75	232	
	Z16	32	23 - 100	37.5 - 115.3	39	040 - 125	1.00	234	
	Z26	36.5	75	92	50	063 - 250	2.00	236	
	Z300	48.5	75	95	64	075 - 300	2.25	238	
	2-chamber 	Z045.2	9.4	16	23	12.5	018 - 038	0.40	222
		Z200.2	24.3	37 - 50	94.4 - 120.4	35	055 - 200	1.75	232
Z26.2		37.1	48	117	50	063 - 250	2.00	236	
Z300.2		48.5	48	120	64	075 - 300	2.25	238	
3-chamber 	Z065.3	11.3	9	39.3	15	018 - 038	0.60	226	
	Z26.3	37.1	47	167	50	063 - 250	2.00	236	
	Z300.3	48.5	47	170	64	075 - 300	2.25	238	

Technical data








	Speed gliding / acceleration gliding	≤ 3 [m/s] / ≤ 10 [m/s ²]
	Speed FL_G / acceleration FL_G	≤ 20 [m/s] / ≤ 200 [m/s ²]
	Speed FL_B / acceleration FL_B	≤ 3 [m/s] / ≤ 6 [m/s ²]
	e-chain® material - permitted temperature °C, igumid NB	-40°C / +80°C
	Mounting bracket* material - permitted temperature °C, igumid G	-40°C / +120°C
	Flammability class, igumid NB	VDE 0304 IIC UL94-V2
	Flammability class, igumid G	VDE 0304 IIC UL94-HB

■ **FL_G** = unsupported with straight upper run ■ **FL_B** = unsupported with permitted sag *Available in igumid NB. Delivery time upon request.

Installation types, maximum travels

Series	Unsupported	Vertical hanging	Vertical standing	Side mounted unsupported	Rotary	Zig-zag
E03	≤ 0.80m	upon request	upon request	upon request	with rework	upon request
E04	≤ 1.10m	upon request	upon request	upon request	with rework	upon request
E045/Z045	≤ 0.80m	upon request	upon request	upon request	with rework	upon request
E06/Z06	≤ 1.10m	upon request	upon request	upon request	with rework	upon request
E065/Z065	≤ 1.20m	upon request	upon request	upon request	with rework	upon request
E08/Z08	≤ 2.00m	upon request	upon request	upon request	with rework	upon request
E14/Z14	≤ 1.30m	upon request	upon request	upon request	with rework	upon request
E200/Z200	≤ 3.50m	≤ 10m	≤ 1.5m	≤ 0.5m	with rework	upon request
E16/Z16	≤ 4.00m	≤ 10m	≤ 1.5m	≤ 0.5m	with rework	upon request
E26/Z26	≤ 4.00m	≤ 10m	≤ 1.5m	≤ 0.5m	with rework	upon request
E300/Z300	≤ 4.50m	≤ 10m	≤ 1.5m	≤ 0.5m	with rework	upon request


Options with order keys | Examples based on series E200

	Standard	NC version - (No Camber) without pretension	Reverse Bend Radius (RBR) for circular movements	ESD - electrically conductive material
	Part No. Standard	Part No. NC version	Part No. RBR	Part No. igumid ESD
				
	E200.05.R.0	E200.05.R.0.NC	E200.05.R1/R2.0	E200.05.R.0.ESD
	Ready to ship in 24 - 48hrs.*	Ready to ship in 12 business days*	Ready to ship in 12 business days* [Ⓢ]	Delivery time upon request


Ⓢ RBR version - some radii available from stock - further information and the complete product range ▶ From page 130

*Average time before the ordered goods are dispatched.

Order example | Order key and colour examples | Examples based on series E200

 Order example for complete e-chain® (1.0m), colour black, with mounting brackets and interior separation:

e-chain® (1.0m)	Please indicate e-chain® length or number of links: 1.0m or 22 links	E200.05.100.0
+ Mounting brackets	1 set (with tiwrap plates)	2050.34PZB
Order text:	1 m E200.05.100.0 + 2050.34PZB	

 Order key

"E" - split crossbar along outer radius
"Z" - split crossbar along the inner radius

E200.05.100.0
Z200.05.100.0

Version "E" or "Z"
Series / Type
Width index (depends on B)
Bend radius R
Colour index (standard black)

Order index for colour options

Colour	Order index	Colour	Order index
Black	Standard .0	Orange	Special colour .2
Silver-grey	Special colour .31	Yellow	Special colour .4
White	Special colour .1	Light grey	Special colour .14
Grey-white	Special colour .1S		

Black e-chains® ready to ship in 24 - 48hrs.*
Above special colours upon request.



Version E | Series E03 | "easy" design, split crossbar along the outer radius

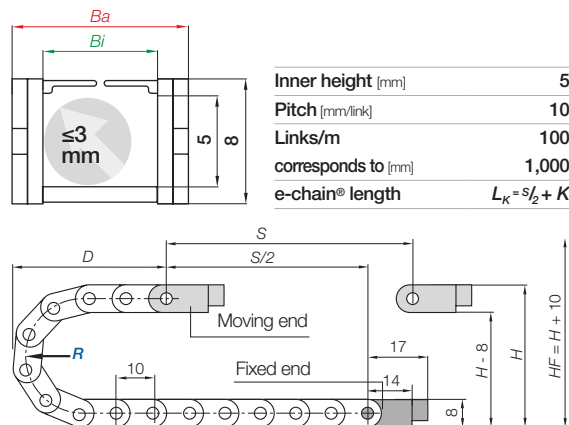
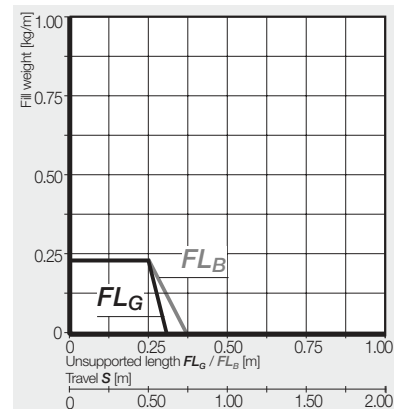
Part No.	Bi	Ba*	R Available bend radii	Weight
Version E	[mm]	[mm]	[mm]	[kg/m]
E03.05.R.0 ¹⁾	5	8.7	010 012 015 018 028	≈ 0.03
E03.07.R.0 ²⁾	7	10.7	010 012 015 018 028	≈ 0.04
E03.10.R.0 ²⁾	10	13.7	010 012 015 018 028	≈ 0.05

1) Crossbars do not overlap. Gap = 1mm / 2) Crossbars do not overlap. Gap = 2mm

Ba*: pin dimension approx. 0.1 - 0.3mm wider.

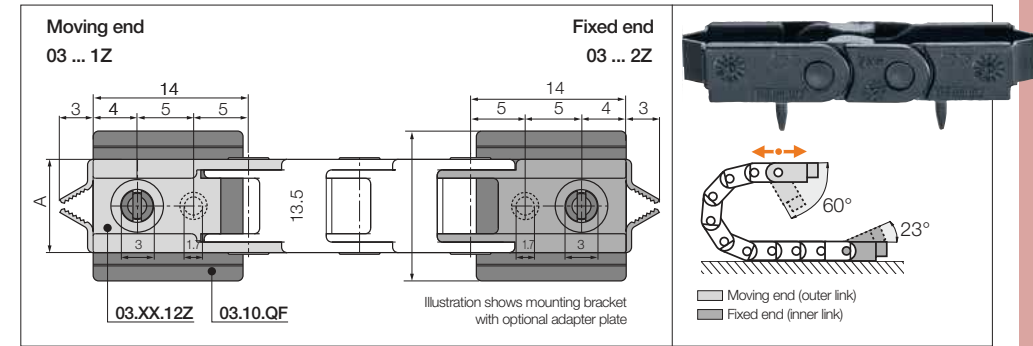
Complete Part No. with required radius (R). Example: E03.05.028.0

Installation dimensions



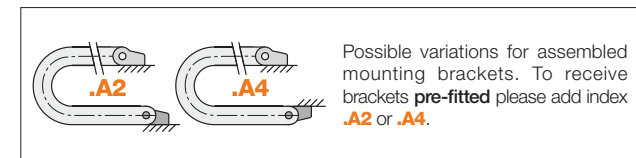
R	010	012	015	018	028
H	28	32	38	44	64
D	29	31	34	37	47
K	55	60	70	80	110

The required clearance height: $H_f = H + 10\text{mm}$ (with 0.1kg/m fill weight)

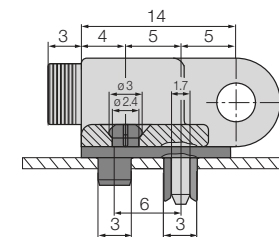


Width index	Part No. full set	A
		[mm]
05.	03.05.12Z	8.4
07.	03.07.12Z	10.4
10.	03.10.12Z	13.4

Material mounting bracket - igumid G, temperature: -40° up to +120°C, VDE 0304 IIC UL94-HB



03.05.12Z.A2 Order example
.A... to indicate option with brackets pre-fitted
Full set
Series



Adapter plate for rapid installation for all sizes, Part No. 03.10.QF

The adapter has scored lines so that it can be adapted to the respective e-chain® width. The adapter plate is not always necessary when attaching the mounting brackets as they can also be screwed on without the adapter plate.



Optional adapter plate

Low weight, simply press cables in



Version E | Series E04 | "easy" design, split crossbar along the outer radius

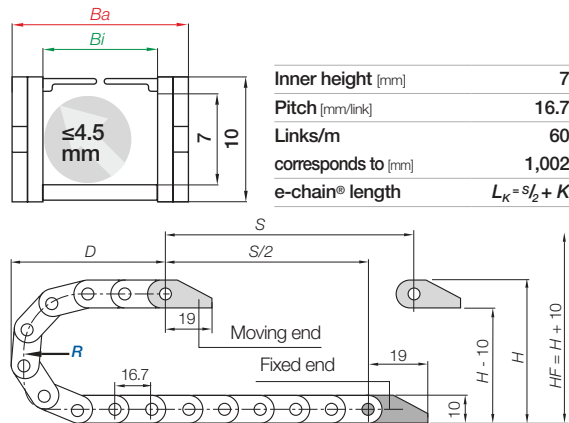
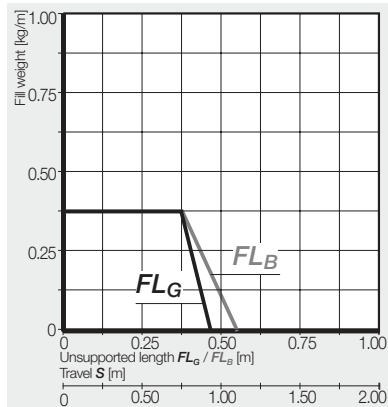
Part No.	Bi	Ba*	R	Available bend radii	Weight
Version E	[mm]	[mm]	[mm]		[kg/m]
E04.07.R.0 ¹⁾	7	13	015 018 028 038 048		≈ 0.08

¹⁾ Crossbars do not overlap. Gap = 2.5mm Special solution with opening gap 0.8mm: Part No. E04.07.015.0.S

Ba*: pin dimension approx. 0.1 - 0.3mm wider.

Complete Part No. with required radius (R). Example: E04.07.028.0

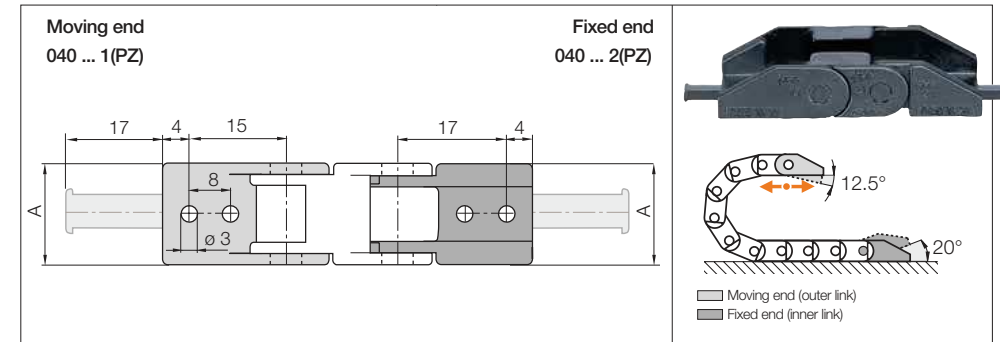
Installation dimensions



R	015	018	028	038	048
H	40	46	66	86	106
D	45	48	58	68	78
K	85	90	125	155	185

The required clearance height: $H_f = H + 10\text{mm}$ (with 0.1kg/m fill weight)

Mounting brackets, polymer one-piece | Pivoting



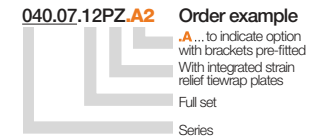
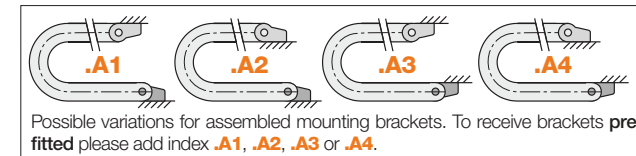
Width index	Part No. full set with tiewrap plates*	Part No. full set without tiewrap plates	A [mm]	Number of teeth
.07	040.07.12PZ	040.07.12	12	1

*040.07.12PZ only installation versions A2 and A4

Material mounting bracket - igumid G, temperature: -40° up to +120°C, VDE 0304 IIC UL94-HB

Mounting bracket with strain relief tiewrap plate has reductions of ϕ 3mm

Mounting bracket without strain relief tiewrap plate only has holes of ϕ 3mm





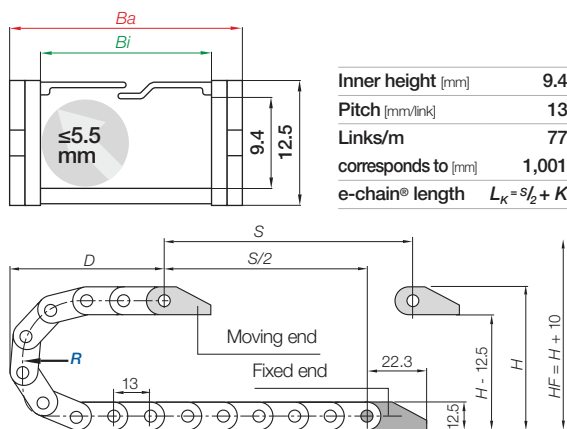
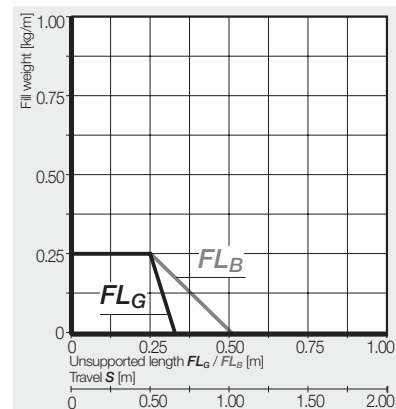
Version E | Series E045 | "easy" design, split crossbar along the outer radius
Version Z | Series Z045 | "easy" design, split crossbar along the inner radius

Chamber design	Part No. Version E	Part No. Version Z	Bi [mm]	Ba* [mm]	R Available bend radii [mm]	Weight [kg/m]
1-chamber	E045.10.R.0 ¹⁾	–	10	16	018 028 038	≈ 0.09
	E045.16.R.0	Z045.16.R.0	16	23	018 028 038	≈ 0.11
1) Crossbars do not overlap. Gap = 2mm						
2-chamber	E045.2/7.R.0 ²⁾	Z045.2/7.R.0 ²⁾	7/7	23	018 028 038	≈ 0.13
	E045.2/9.R.0 ²⁾	–	9/9	27	018 028 038	≈ 0.14
1) Crossbars do not overlap. Gap = 2.25mm						
3-chamber	E045.3/9.R.0 ³⁾	–	9/9/9	37	018 028 038	≈ 0.17
1) Crossbars do not overlap. Gap = 2.25mm						

Ba*: pin dimension approx. 0.5mm - 1.0mm wider.

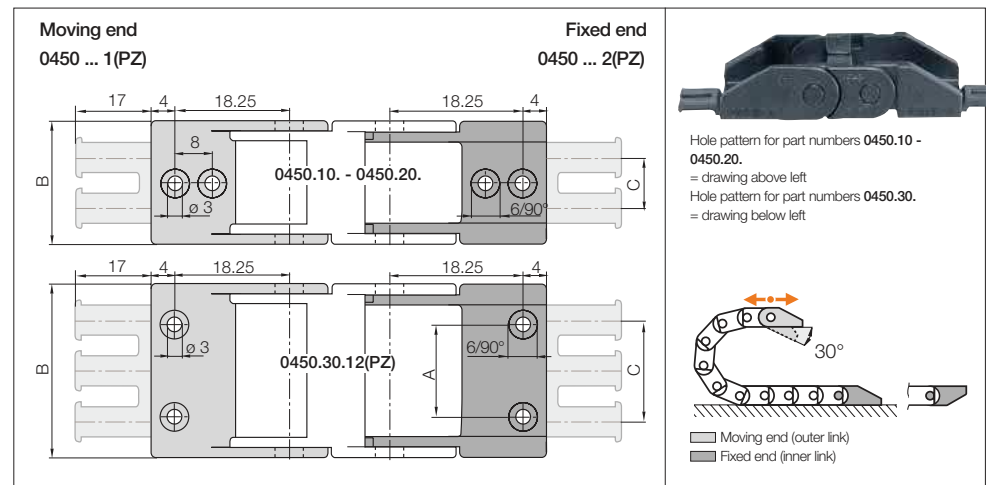
Complete Part No. with required radius (R). Example: E045.16.038.0

Installation dimensions



R	018	028	038
H	48.5	68.5	88.5
D	44	54	64
K	85	115	150

The required clearance height: $H_f = H + 10$ mm (with 0.1kg/m fill weight)

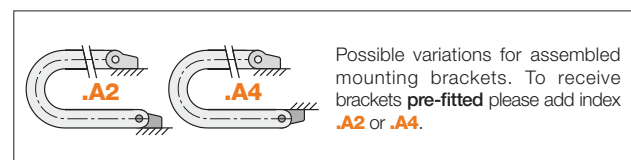


Width index	Part No. full set with tiewrap plates	Part No. full set without tiewrap plates	A [mm]	B [mm]	C [mm]	Number of teeth
10.	0450.10.12PZ	0450.10.12	–	16	–	1
16.	0450.16.12PZ	0450.16.12	–	22	10	2
2/7.	0450.16.12PZ	0450.16.12	–	22	10	2
2/9.	0450.20.12PZ	0450.20.12	–	26	10	2
3/9.	0450.30.12PZ	0450.30.12	22	36	20	3

Material mounting bracket - igumid G, temperature: -40° up to +120°C, VDE 0304 IIC UL94-HB

Mounting bracket with strain relief tiewrap plate has reductions of ø 3mm / ø 6mm 90°

Mounting bracket without strain relief tiewrap plate only has holes of ø 3mm



0450.10.12PZ.A2 Order example
 .A... to indicate option with brackets pre-fitted with integrated strain relief tiewrap plates
 Full set
 Series

Low weight, simply press cables in



Version E | Series E06 | "easy" design, split crossbar along the outer radius
Version Z | Series Z06 | "easy" design, split crossbar along the inner radius

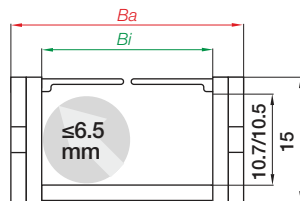
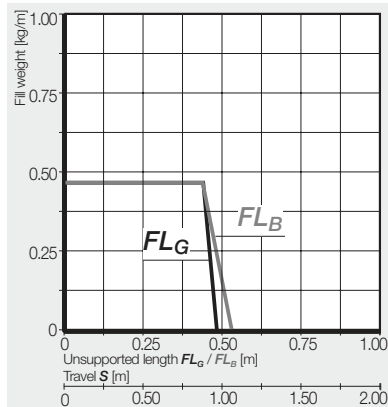
Part No.	Part No.	Bi	Ba*	R	Available bend radii	Weight
Version E	Version Z	[mm]	[mm]	[mm]	[mm]	[kg/m]
E06.10.R.0 ¹⁾	Z06.10.R.0 ¹⁾	10	16.5	018 028 038		≈ 0.14
E06.16.R.0 ¹⁾	Z06.16.R.0 ¹⁾	16	22.5	018 028 038		≈ 0.16
E06.20.R.0	Z06.20.R.0	20	26.5	018 028 038		≈ 0.18

¹⁾ Crossbars do not overlap. Gap = 5.5mm Special solution with opening gap 3.5mm: Part No. E06.10.018.0.S3

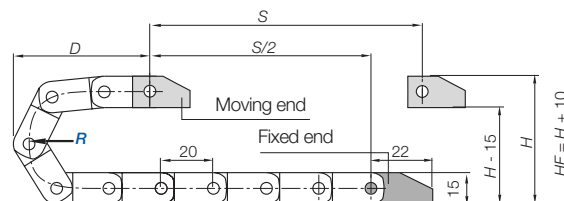
Ba*: pin dimension approx. 1.5 - 2.0mm wider.

Complete Part No. with required radius (R). Example: E06.10.028.0

Installation dimensions



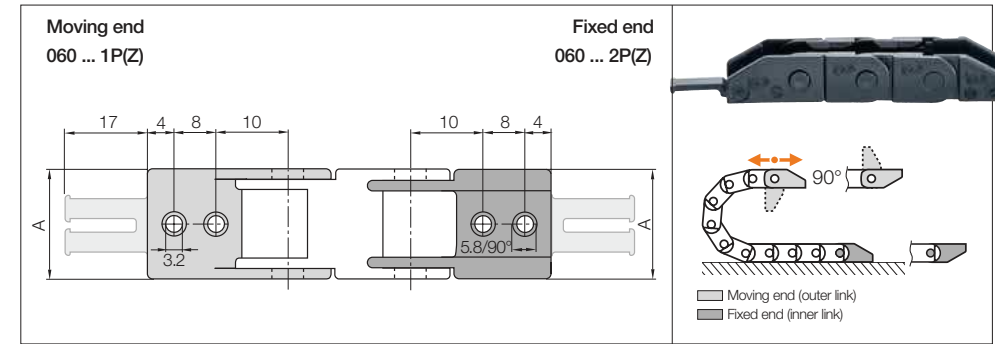
E06 Inner height [mm]	10.7
Z06 Inner height [mm]	10.5
Pitch [mm/link]	20
Links/m	50
corresponds to [mm]	1,000
e-chain® length	$L_k = s \cdot l + K$



R	018	028	038
H	51	71	91
D	56	66	76
K	100	130	160

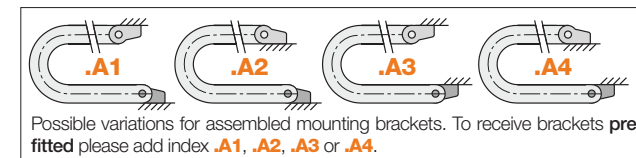
The required clearance height: $H_f = H + 10$ mm (with 0.2kg/m fill weight)

Mounting brackets, polymer one-piece | Locking



Width index	Part No. full set with tiewrap plates	Part No. full set without tiewrap plates	A [mm]	Number of teeth
10. ▶	060.10.12PZ	060.10.12	16.5	1
16. ▶	060.16.12PZ	060.16.12	22.5	2
20. ▶	060.20.12PZ	060.20.12	27.0	2

Material mounting bracket - igumid G, temperature: -40° up to +120°C, VDE 0304 IIC UL94-HB



Possible variations for assembled mounting brackets. To receive brackets pre-fitted please add index .A1, .A2, .A3 or .A4.

060.10.12PZ.A1 Order example
 .A... to indicate option with brackets pre-fitted
 With integrated strain relief tiewrap plates
 Full set
 Series

Small pitch, simply press cables in



Version E | Series E08 | "easy" design, split crossbar along the outer radius
Version Z | Series Z08 | "easy" design, split crossbar along the inner radius

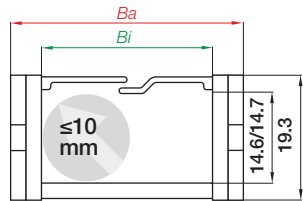
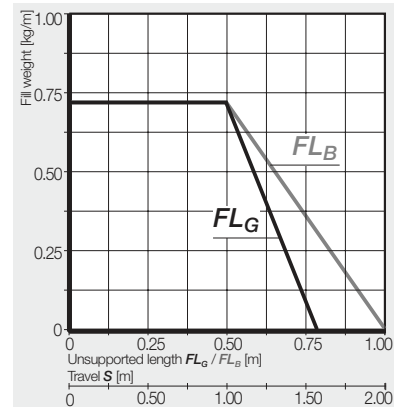
Part No.	Part No.	Bi	Ba*	R	Available bend radii	Weight
Version E	Version Z	[mm]	[mm]	[mm]	[mm]	[kg/m]
E08.10.R.0 ¹⁾	Z08.10.R.0 ¹⁾	10	18.2	028	038 048	≈ 0.21
E08.16.R.0 ²⁾	Z08.16.R.0 ²⁾	16	24.2	028	038 048	≈ 0.24
E08.20.R.0	Z08.20.R.0	20	28.2	028	038 048	≈ 0.25
E08.30.R.0	Z08.30.R.0	30	38.2	028	038 048	≈ 0.28
E08.40.R.0	Z08.40.R.0	40	48.2	028	038 048	≈ 0.31
E08.50.R.0	Z08.50.R.0	50	58.2	028	038 048	≈ 0.37

¹⁾ Crossbars do not overlap. Gap = 5.5mm / ²⁾ Crossbars do not overlap. Gap = 4.0mm

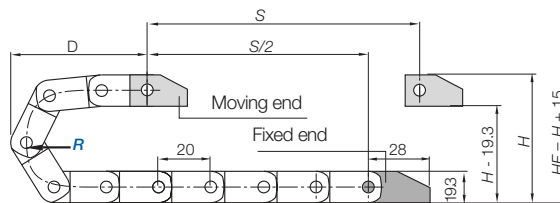
Ba*: pin dimension approx. 1.4 - 1.8mm wider.

Complete Part No. with required radius (R). Example: E08.10.028.0

Installation dimensions



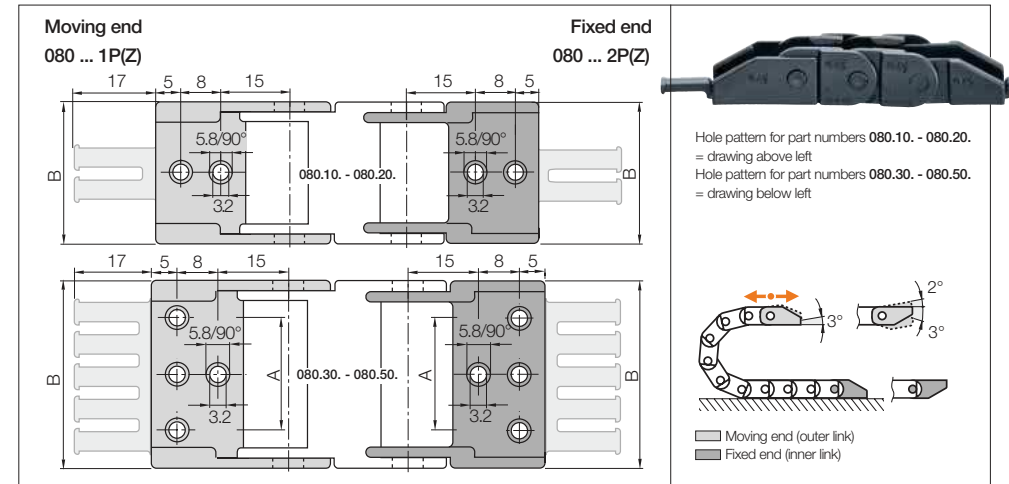
E08 Inner height [mm] 14.6
 Z08 Inner height [mm] 14.7
 Pitch [mm/link] 20
 Links/m 50
 corresponds to [mm] 1,000
 e-chain® length $L_k = s \frac{L}{2} + K$



R	028	038	048
H	75	95	115
D	68	78	88
K	130	160	195

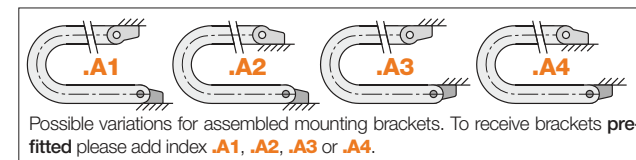
The required clearance height: $H_f = H + 15$ mm (with 0.3kg/m fill weight)

Mounting brackets, polymer one-piece | Locking



Width index	Part No. full set with tie-wrap plates	Part No. full set without tie-wrap plates	A [mm]	B [mm]	Number of teeth
10.	080.10.12PZ	080.10.12	-	18.2	1
16.	080.16.12PZ	080.16.12	-	24.2	2
20.	080.20.12PZ	080.20.12	-	28.2	2
30.	080.30.12PZ	080.30.12	22	38.2	3
40.	080.40.12PZ	080.40.12	32	48.2	4
50.	080.50.12PZ	080.50.12	42	58.2	5

Material mounting bracket - igumid G, temperature: -40° up to +120°C, VDE 0304 IIC UL94-HB



080.10.12PZ.A2 Order example
 .A... to indicate option with brackets pre-fitted
 With integrated strain relief tie-wrap plates
 Full set
 Series

Economical size, simply press cables in



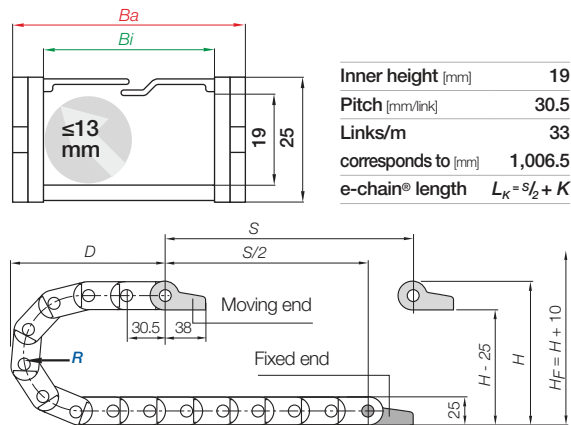
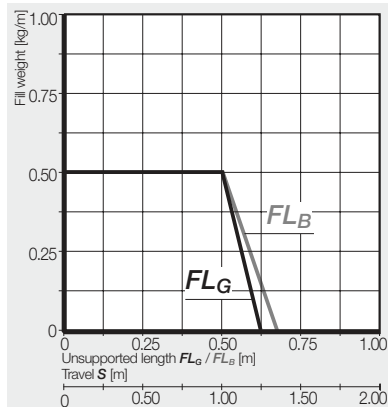
Version E | Series E14 | "easy" design, split crossbar along the outer radius
Version Z | Series Z14 | "easy" design, split crossbar along the inner radius

Part No.	Part No.	Bi	Ba	R Available bend radii	Weight
Version E	Version Z	[mm]	[mm]	[mm]	[kg/m]
E14.1.R.0	Z14.1.R.0	15	27	028 038 048 075 100 125	≈ 0.31
E14.2.R.0	Z14.2.R.0	25	37	028 038 048 075 100 125	≈ 0.32
E14.3.R.0	Z14.3.R.0	38	50	028 038 048 075 100 125	≈ 0.40
E14.4.R.0	Z14.4.R.0	50	62	028 038 048 075 100 125	≈ 0.44

© RBR version (Reverse Bend Radius), some radii available from stock. More information ▶ From page 130

Complete Part No. with required radius (R). Example: E14.1.028.0

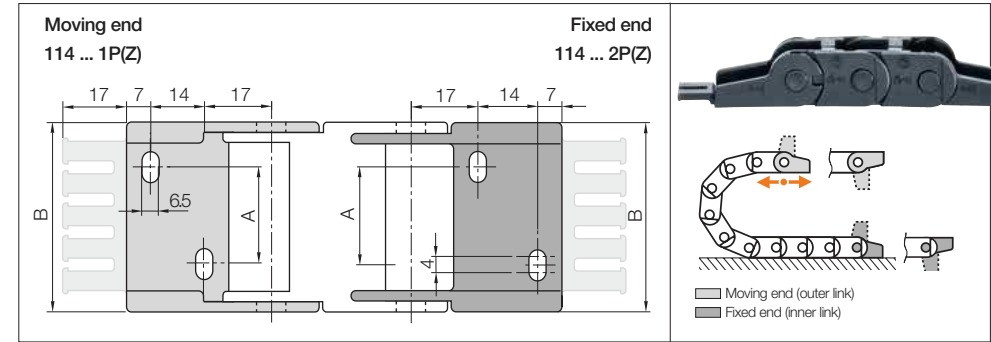
Installation dimensions



R	028	038	048	075	100	125
H	81	101	121	175	225	275
D	86	96	106	133	158	183
K	150	185	215	300	380	455

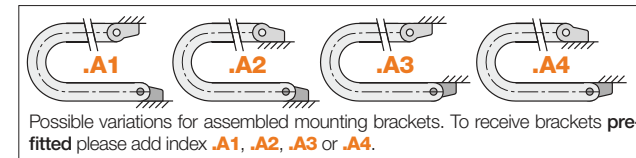
The required clearance height: $H_f = H + 10\text{mm}$ (with 0.2kg/m fill weight)

Mounting brackets, polymer one-piece | Locking



Width index	Part No. full set with tiewrap plates	Part No. full set without tiewrap plates	A [mm]	B [mm]	Number of teeth
1.	114.1.12PZ	114.1.12P	-	26.3	2
2.	114.2.12PZ	114.2.12P	10	36.3	3
3.	114.3.12PZ	114.3.12P	23	49.3	4
4.	114.4.12PZ	114.4.12P	35	61.3	5

Material mounting bracket - igumid G, temperature: -40° up to +120°C, VDE 0304 IIC UL94-HB



114.2.12PZ.A1 Order example
 .A... to indicate option with brackets pre-fitted with integrated strain relief tiewrap plates
 Full set
 Series

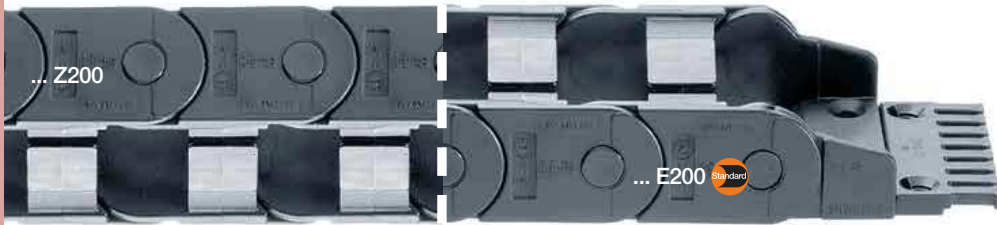
Rotating energy supply systems with Reverse Bend Radius (RBR) - some radii available from stock

- Maximum rotation angle in minimal installation space
- Minimal friction forces and maximum service life
- Short delivery times, from stock

More information and the complete product range ▶ From page 130



Medium size, simply press cables in

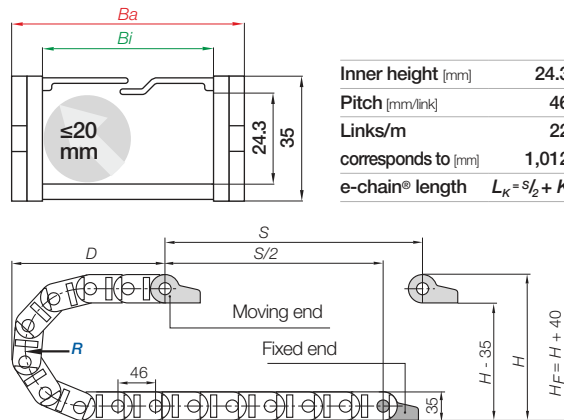
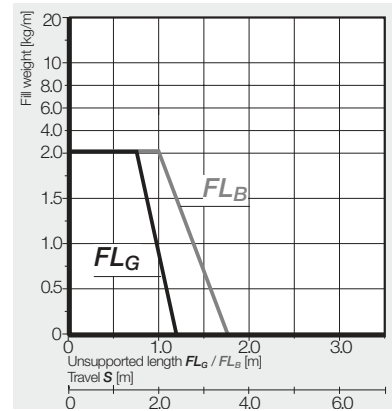


Version E | Series E200 | "easy" design, split crossbar along the outer radius
Version Z | Series Z200 | "easy" design, split crossbar along the inner radius

Chamber design	Part No. Version E	Part No. Version Z	Bi [mm]	Ba [mm]	R Available bend radii [mm]	Weight [kg/m]
1-chamber	E200.05.R.0	Z200.05.R.0	57	74.4	055 075 100 150 200	≈ 0.70
2-chamber	E200.2/35.R.0	Z200.2/35.R.0	37/37	94.4	055 075 100 150 200	≈ 0.79
	E200.2/50.R.0	Z200.2/50.R.0	50/50	120.4	055 075 100 150 200	≈ 0.82

Complete Part No. with required radius (R). Example: E200.05.150.0

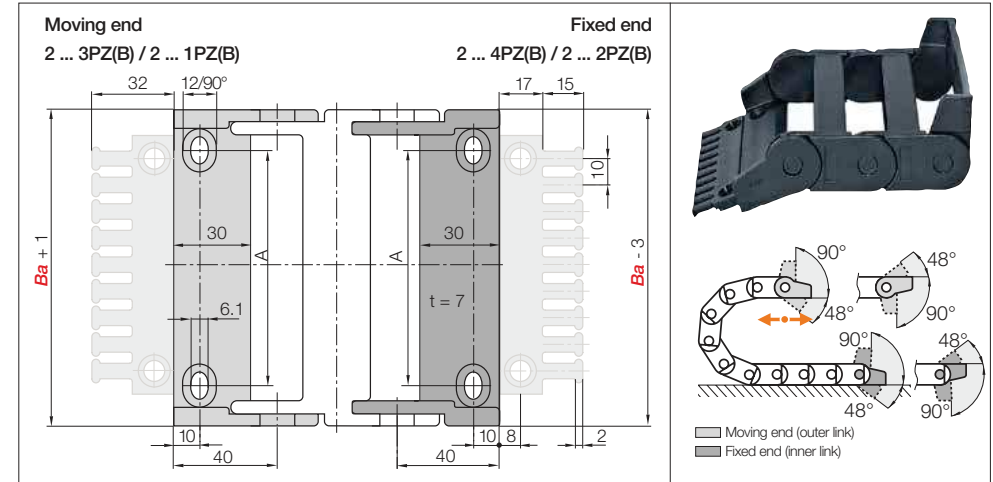
Installation dimensions



R	055	075	100	150	200
H ⁺⁺	145	185	235	335	435
D	142	162	187	237	287
K	265	330	410	565	725

The required clearance height: $H_f = H + 40\text{mm}$ (with 2.0kg/m fill weight)

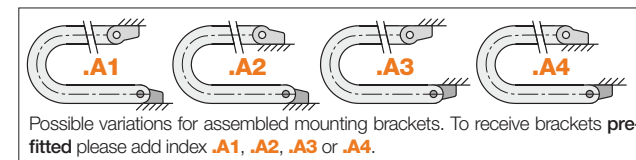
Mounting brackets, polymer | Pivoting | Locking



Width index	Part No. full set pivoting	Part No. full set locking		A [mm]	Number of teeth	
		with tiewrap plates	without tiewrap plate			with tiewrap plates
05.	2050.34PZB	2050.34PZ	2050.12PZB	2050.12PZ	44	6
2/35.	2070.34PZB	2070.34PZ	2070.12PZB	2070.12PZ	64	8
2/50.	2100.34PZB	2100.34PZ	2100.12PZB	2100.12PZ	90	10

Material mounting bracket - igumid G, temperature: -40° up to +120°C, VDE 0304 IIC UL94-HB

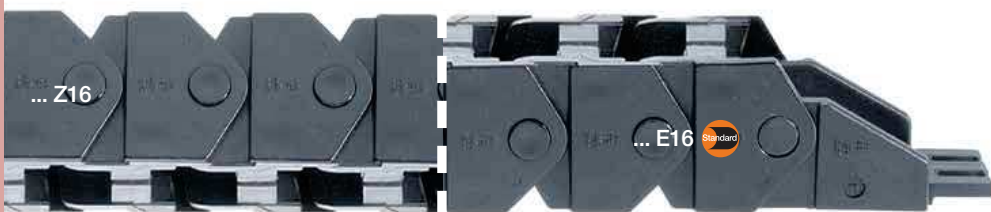
Full set with tiewrap plate + 10 cable tiewraps, please add index K1. Example: 2050.34PZBK1



2050.34PZB.A1 Order example
.A... to indicate option with brackets pre-fitted
With integrated strain relief tiewrap plates
Full set
Series

Strain relief e.g. clamps, tiewrap plates, nuggets and clips are available from stock. The complete chainfix range with ordering options ► From page 1392

Large inner height, simply press cables in



Version E | Series E16 | "easy" design, split crossbar along the outer radius
Version Z | Series Z16 | "easy" design, split crossbar along the inner radius

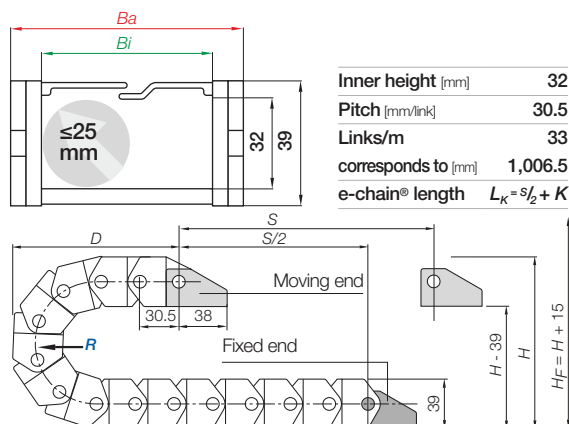
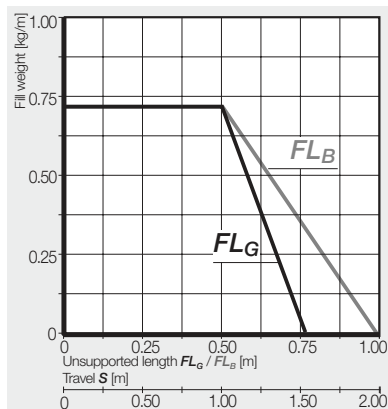
Part No.	Part No.	Bi	Ba	R Available bend radii	Weight
Version E	Version Z	[mm]	[mm]	[mm]	[kg/m]
E16.2.R.0 ¹⁾	Z16.2.R.0	23	37.5	040 060 075 100 -	≈ 0.51
E16.3.R.0	Z16.3.R.0 ¹⁾	36	50.5	040 060 075 100 125	≈ 0.57
E16.4.R.0	Z16.4.R.0 ¹⁾	48	62.5	040 060 075 100 -	≈ 0.62
E16.5.R.0	Z16.5.R.0	63	78.5	040 060 075 100 -	≈ 0.75
E16.6.R.0	Z16.6.R.0 ¹⁾	80	95.5	- 060 075 100 -	≈ 0.83
E16.7.R.0	Z16.7.R.0	100	115.3	- 060 075 100 125	≈ 0.91

Special solution with opening gap 3mm: Part No. E16.2.100.0.N3 / Z16.2.075.0.N3

¹⁾ Radius 040 only available for these widths

Complete Part No. with required radius (R). Example: E16.1.100.0

Installation dimensions

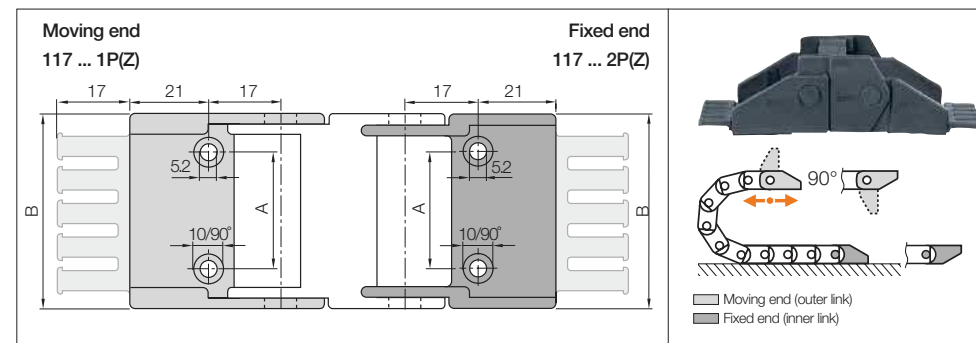


R	040 ¹⁾	060	075	100	125
H	119	159	189	239	289
D	105	125	140	165	190
K	190	250	300	380	455

The required clearance height: $H_f = H + 15\text{mm}$ (with 0.3kg/m fill weight)

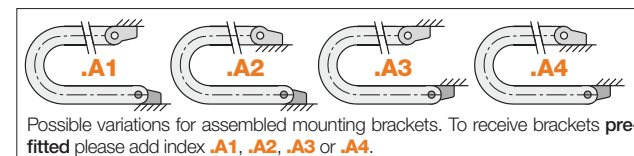
¹⁾ Radius 040 only available for E16.2 / Z16.3 / Z16.4 / Z16.5

Mounting brackets, polymer one-piece | Locking



Width index	Part No. full set with tiewrap plates	Part No. full set without tiewrap plates	A [mm]	B [mm]	Number of teeth
2. ►	117.2.12PZ	117.2.12P	12	35.5	3
3. ►	117.3.12PZ	117.3.12P	25	48.5	4
4. ►	117.4.12PZ	117.4.12P	37	60.5	5
5. ►	117.5.12PZ	117.5.12P	48	76.0	6
6. ►	117.6.12PZ	117.6.12P	65	93.0	8
7. ►	117.7.12PZ	117.7.12P	85	113.0	10

Material mounting bracket - igumid G, temperature: -40° up to +120°C, VDE 0304 IIC UL94-HB



117.2.12PZ.A1 Order example
.A... to indicate option with brackets pre-fitted with integrated strain relief tiewrap plates
Full set
Series

Large inner height, simply press cables in



2 + 3 chamber design
Inner height: 37.1

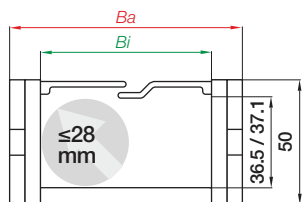
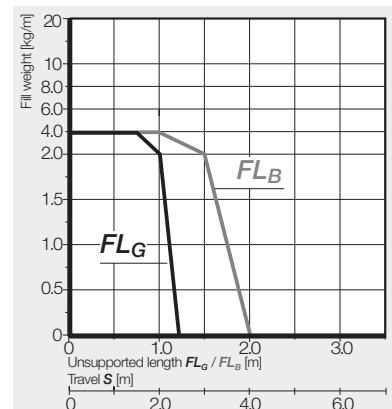


Version E | Series E26 | "easy" design, split crossbar along the outer radius
Version Z | Series Z26 | "easy" design, split crossbar along the inner radius

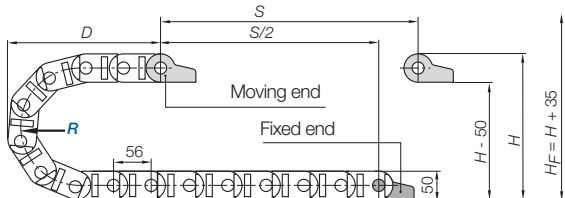
Chamber design	Part No. Version E	Part No. Version Z	Bi [mm]	Ba [mm]	R Available bend radii [mm]	Weight [kg/m]
1-chamber	E26.07.R.0	Z26.07.R.0	75	92	063 075 100 125 150 175 200 250	≈ 0.96
2-chamber	E26.2/45.R.0	Z26.2/45.R.0	48/48	117	063 075 100 125 150 175 200 250	≈ 1.14
3-chamber	E26.3/45.R.0	Z26.3/45.R.0	47/48/47	167	063 075 100 125 150 175 200 250	≈ 1.30

Complete Part No. with required radius (R). Example: E26.07.150.0

Installation dimensions



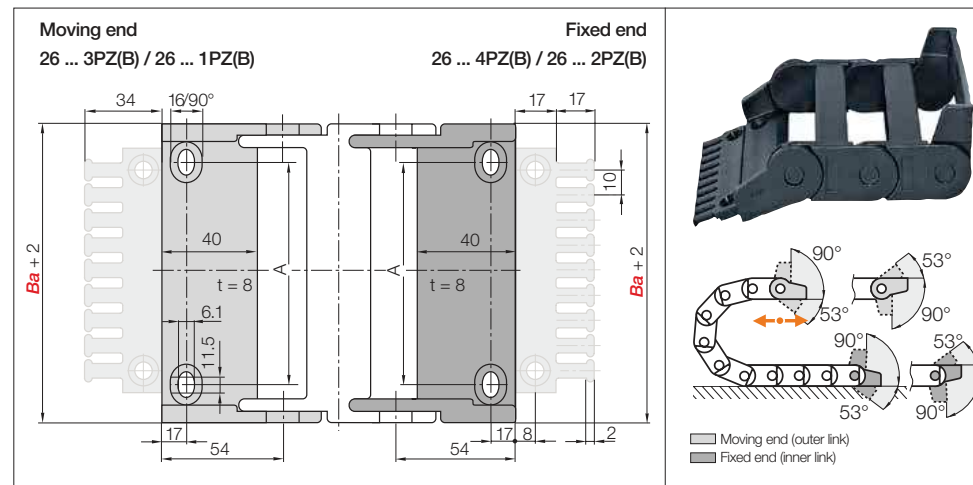
Inner height [mm]	36.5
1-chamber	36.5
2 & 3-chamber	37.1
Pitch [mm/link]	56
Links/m	18
corresponds to [mm]	1,008
e-chain® length $L_K = S/2 + K$	



R	063	075	100	125	150	175	200	250
H ^s	176	200	250	300	350	400	450	550
D	172	184	209	234	259	284	309	359
K	310	350	430	505	585	665	745	900

The required clearance height: $H_f = H + 35$ mm (with 2.0kg/m fill weight)

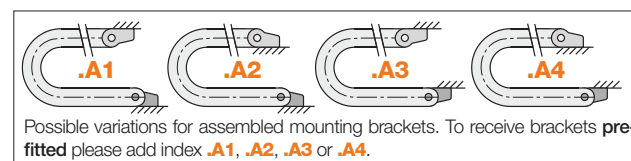
Mounting brackets, polymer | Pivoting | Locking



Width index	Part No. full set pivoting	Part No. full set locking		A [mm]	Number of teeth	
		with tiewrap plates	without tiewrap plate			with tiewrap plates
07.	2607.34PZB	2607.34PZ	2607.12PZB	2607.12PZ	55	7
2/45.	2610.34PZB	2610.34PZ	2610.12PZB	2610.12PZ	80	10
3/45.	2615.34PZB	2615.34PZ	2615.12PZB	2615.12PZ	130	15

Material mounting bracket - igumid G, temperature: -40° up to +120°C, VDE 0304 IIC UL94-HB

Full set with tiewrap plate + 10 cable tiewraps, please add index K1. Example: 2607.34PZBK1



2607.34PZB.A2 Order example
.A... to indicate option with brackets pre-fitted
With integrated strain relief tiewrap plates
Full set
Series

Strain relief e.g. clamps, tiewrap plates, nuggets and clips are available from stock. The complete chainfix range with ordering options ► From page 1392

Large inner height, simply press cables in

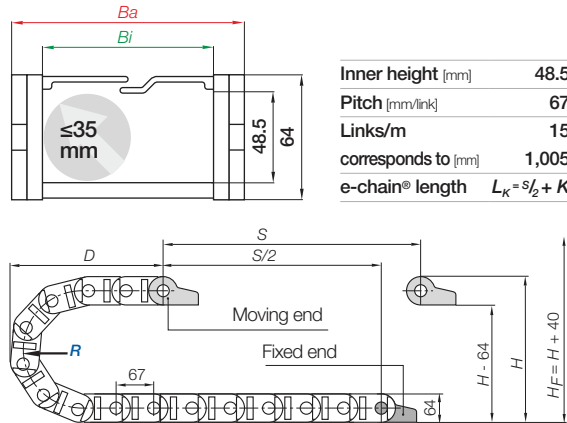
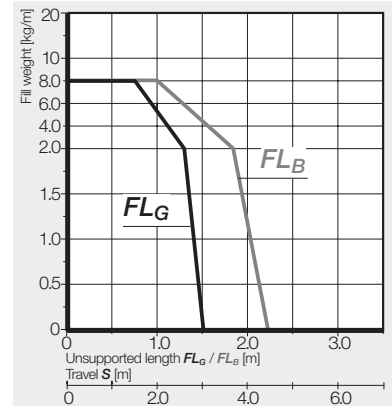


Version E | Series E300 | "easy" design, split crossbar along the outer radius
Version Z | Series Z300 | "easy" design, split crossbar along the inner radius

Chamber design	Part No. Version E	Part No. Version Z	Bi [mm]	Ba [mm]	R Available bend radii [mm]	Weight [kg/m]
1-chamber	E300.075.R.0	Z300.075.R.0	75	95	075 100 125 150 200 250 300	≈ 1.60
2-chamber	E300.2/45.R.0	Z300.2/45.R.0	48/48	120	075 100 125 150 200 250 300	≈ 1.78
3-chamber	E300.3/45.R.0	Z300.3/45.R.0	47/46/47	170	075 100 125 150 200 250 300	≈ 1.92

Complete Part No. with required radius (R). Example: E300.075.150.0

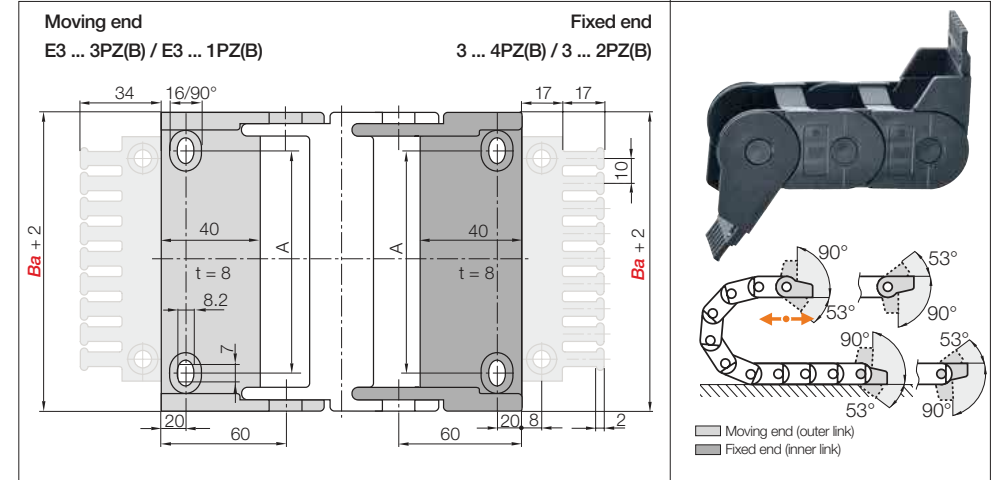
Installation dimensions



R	075	100	125	150	200	250	300
H ^s	214	264	314	364	464	564	664
D	208	233	258	283	333	383	433
K	370	450	530	610	765	920	1,080

The required clearance height: $H_f = H + 40$ mm (with 2.5kg/m fill weight)

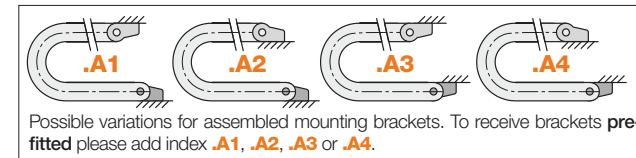
Mounting brackets, polymer | Pivoting | Locking



Width index	Part No. full set pivoting with tiewrap plates	Part No. full set pivoting without tiewrap plate	Part No. full set locking with tiewrap plates	Part No. full set locking without tiewrap plate	A [mm]	Number of teeth
2/45. ▶	E3100.34PZB	E3100.34PZ	E3100.12PZB	E3100.12PZ	78	10
3/45. ▶	E3150.34PZB	E3150.34PZ	E3150.12PZB	E3150.12PZ	128	15

Material mounting bracket - igumid G, temperature: -40° up to +120°C, VDE 0304 IIC UL94-HB

Full set with tiewrap plate + 10 cable tiewraps, please add index IK1. Example: E3075.34PZBK1



E3075.34PZB.A2 Order example
.A... to indicate option with brackets pre-fitted
With integrated strain relief tiewrap plates
Full set
Series

Strain relief e.g. clamps, tiewrap plates, nuggets and clips are available from stock. The complete chainfix range with ordering options ▶ From page 1392

Interior separation
Modular shelf

For additional horizontal subdivision of the inner space, shelves are available for e-chains® series E300.3/45 and Z300.3/45. They can be fitted at 7 different heights.

Shelf for e-chains®	unassembled	assembled
	386.54	387.54

