



Rotating cleaning nozzle »XactClean HP« Series 5S2/5S3

Series 5S2/5S3

Specially developed flat fan nozzles provide high impact and uniform cleaning for the XactClean HP. The controlled rotation ensures that the XactClean HP works extremely efficient. Thanks to the robust drive unit the XactClean HP is very reliable and ensures increased operation liability. It is available in various spray angles and flow rates and is also compatible with the Lechler rotating monitoring sensor.



	Max. tank diameter [m]	0	1	2	3	4	5	6	7	8
--	-------------------------------	---	---	---	---	---	---	---	---	---

Materials
316L SS, 316 SS, 632 SS, PEEK, PEEK ESD (ATEX version only), PTFE, Zirconium oxide, EPDM

Max. temperature
95 °C

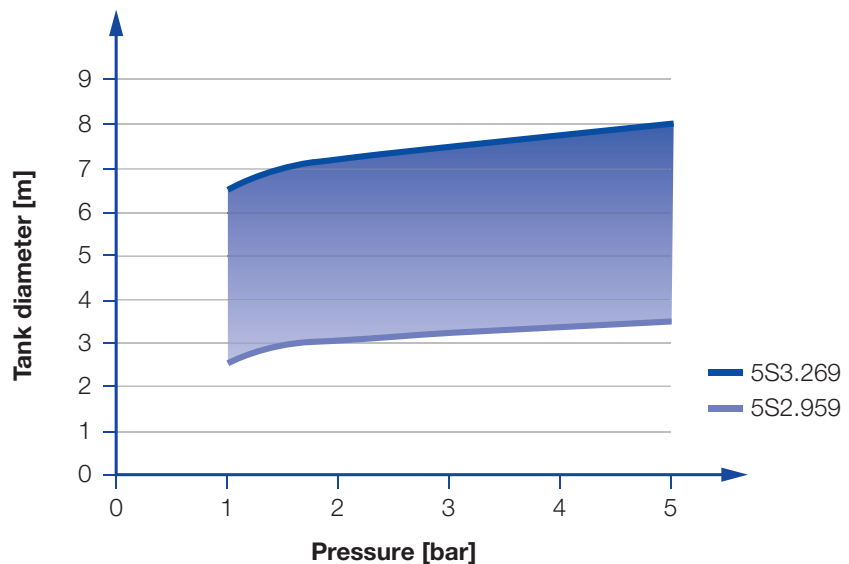
Recommended operating pressure
5 bar

Installation
Operation in every direction is possible

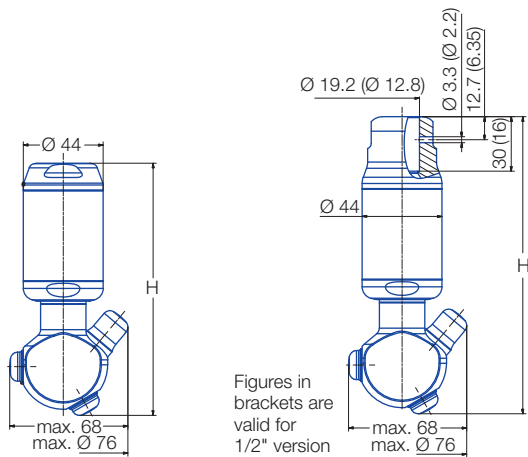
Filtration
Line strainer with a mesh size of 0.3 mm/50 mesh

Bearing
Double ball bearing

Rotation monitoring sensor
Sensor compatible
Info: see page 65



Overview of the tank diameter, depending upon the pressure of series 5S2/5S3



Female thread

Dimensions slip-on connection according to ASME-BPE (OD-tube)

Nozzle dimensions [mm]

Connection	Max. Height [H]
AF	146
AH	149
AL	139
AN	139
TF05	148
TF07	164

Spray angle	Ordering no.							E Ø [mm]	V̇ [l/min]				Max. tank diameter [m]
	Type	Connection							p [bar] (p _{max} = 15 bar)				
		3/8 BSPP female	1/2 BSPP female	3/4 BSPP female	1 BSPP female	1/2" Slip-on	3/4" Slip-on		2	5	10	at 40 psi [US gal/min]	
180° 	5S2.953.1Y	AF	AH	-	-	TF05	-	1.7	25	40	57	7.8	3.5
	5S3.053.1Y	-	AH	-	-	-	TF07	2.0	41	65	92	12.8	4.0
	5S3.113.1Y	-	AH	AL	-	-	TF07	2.0	60	94	133	18.4	6.0
	5S3.183.1Y	-	-	AL	-	-	TF07	2.0	89	141	199	27.7	7.0
	5S3.233.1Y	-	-	AL	-	-	TF07	2.0	111	175	248	34.3	7.5
	5S3.263.1Y	-	-	AL	AN	-	TF07	2.0	135	213	301	41.8	8.0
180° 	5S2.954.1Y	AF	AH	-	-	TF05	-	1.7	25	40	57	7.8	3.5
	5S3.054.1Y	-	AH	-	-	-	TF07	2.0	41	65	92	12.8	4.0
	5S3.114.1Y	-	AH	AL	-	-	TF07	2.0	60	94	133	18.4	6.0
	5S3.184.1Y	-	-	AL	-	-	TF07	2.0	89	141	199	27.7	7.0
	5S3.234.1Y	-	-	AL	-	-	TF07	2.0	111	175	248	34.3	7.5
	5S3.264.1Y	-	-	AL	AN	-	TF07	2.0	135	213	301	41.8	8.0
270° 	5S2.955.1Y	AF	AH	-	-	TF05	-	1.7	25	40	57	7.8	3.5
	5S3.055.1Y	-	AH	-	-	-	TF07	2.0	41	65	92	12.8	4.0
	5S3.115.1Y	-	AH	AL	-	-	TF07	2.0	60	94	133	18.4	6.0
	5S3.185.1Y	-	-	AL	-	-	TF07	2.0	89	141	199	27.7	7.0
	5S3.235.1Y	-	-	AL	-	-	TF07	2.0	111	175	248	34.3	7.5
	5S3.265.1Y	-	-	AL	AN	-	TF07	2.0	135	213	301	41.8	8.0
270° 	5S2.956.1Y	AF	AH	-	-	TF05	-	1.7	25	40	57	7.8	3.5
	5S3.056.1Y	-	AH	-	-	-	TF07	2.0	41	65	92	12.8	4.0
	5S3.116.1Y	-	AH	AL	-	-	TF07	2.0	60	94	133	18.4	6.0
	5S3.186.1Y	-	-	AL	-	-	TF07	2.0	89	141	199	27.7	7.0
	5S3.236.1Y	-	-	AL	-	-	TF07	2.0	111	175	248	34.3	7.5
	5S3.266.1Y	-	-	AL	AN	-	TF07	2.0	135	213	301	41.8	8.0
360° 	5S2.959.1Y	AF	AH	-	-	TF05	-	1.5	25	40	57	7.8	3.5
	5S3.059.1Y	-	AH	-	-	-	TF07	2.0	41	65	92	12.8	4.0
	5S3.119.1Y	-	AH	AL	-	-	TF07	2.0	60	94	133	18.4	6.0
	5S3.189.1Y	-	-	AL	-	-	TF07	2.0	89	141	199	27.7	7.0
	5S3.239.1Y	-	-	AL	-	-	TF07	2.0	111	175	248	34.3	7.5
	5S3.269.1Y	-	-	AL	AN	-	TF07	2.0	135	213	301	41.8	8.0

E = narrowest free cross-section · NPT on request

The maximum tank diameter shown above applies for the recommended operating pressure and is indicative only. The cleaning result is also affected by the type of soiling.



Rotating cleaning nozzle »XactClean HP« Series 5S2/5S3

Information on operation


- Operation with compressed air only for short-term usage. Operation above the recommended operating pressure has negative effects on the cleaning result and wear.

Slip-on information

- R-clip made of 316L SS is included (Ordering no.: 095.022.1Y.50.60.E (TF07), 095.013.1E.05.59.0 (TF05)).
- Depending on diameter of the adapter the flow rate can increase due to leakage between connecting pipe and rotating cleaning nozzle.

Example of ordering with ATEX approval. No FDA and (EC) 1935/2004 conformity.

Unit group/category/zones:

 II 1G Ex h IIB T6...T3 Ga

 II 1D Ex h IIIC T85 °C...T150 °C Da

Example	Type	+ Connection	= Ordering no.
of Ordering:	5S2.953.1Y.XX.EX	+ AL	= 5S2.953.1Y.AL.EX

Example of ordering with FDA and (EC) 1935/2004 conformity.

All Materials are suitable for
contact with food.



Example	Type	+ Connection	= Ordering no.
of Ordering:	5S2.953.1Y.XX	+ AL	= 5S2.953.1Y.AL

ATTENTION:

For the **ATEX** version of the slip-on connection the code for the connection changes.
For a 5S2.XXX.1Y.**TF.05** with ATEX the order number changes to 5S2.XXX.1Y.**T5.EX**
For a 5S3.XXX.1Y.**TF.07** with ATEX the order number changes to 5S3.XXX.1Y.**T7.EX**