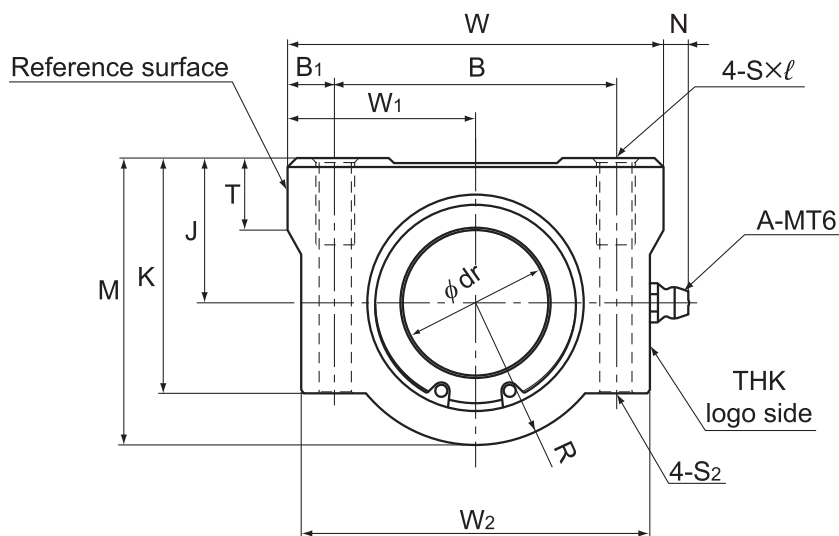


Model SL



Model SL

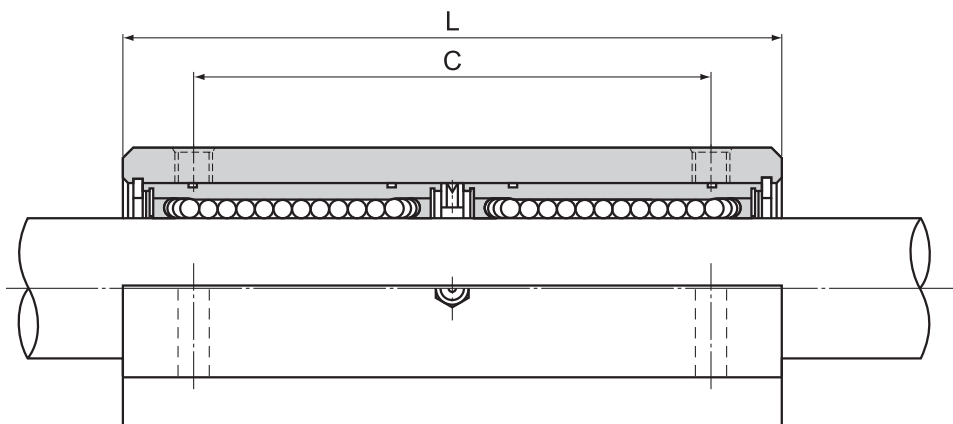
Model No.	Outer dimensions			LM casing dimensions						
	Height M	Width W	Length L	Mounting hole position			Tap $S \times \ell$	Through bolt model No, S_2	Center height J ± 0.02	W_1 ± 0.02
				B	B_1	C				
SL 6UU	18	30	48	20	5	36	M4×8	M3	9	15
SL 8UU	22	34	58	24	5	42	M4×8	M3	11	17
SL 10UU	26	40	68	28	6	46	M5×12	M4	13	20
SL 12UU	29	42	70	30.5	5.75	50	M5×12	M4	15	21
SL 13UU	30	44	75	33	5.5	50	M5×12	M4	15	22
SL 16UU	38.5	50	85	36	7	60	M5×12	M4	19	25
SL 20UU	42	54	96	40	7	70	M6×12	M5	21	27
SL 25UU	51.5	76	130	54	11	100	M8×18	M6	26	38
SL 30UU	59.5	78	140	58	10	110	M8×18	M6	30	39

Note) Since this model contains a synthetic resin retainer, do not use it at temperature exceeding 80°C.

A stainless steel Linear Bushing model LM-MG, which is highly corrosion resistant, can also be incorporated at your request.

Example of Model Number for Use in Combination with
Linear Bushing Units

Linear Bushing to be combined	Example of model No.	
Both end attached with seal	SL 13UU	Standard stock
Without seal	SL 13	Build to order
Made of stainless steel; both end attached with seal	SL 13MUU	Build to order



Unit: mm

								Model No. of Linear Bushing to be combined	Basic load rating		Unit
						Inscribed bore diameter			C N	C ₀ N	Mass g
K	W ₂	T	R	N	dr	Tolerance					
15	28	6	9	7	6	0 -0.009	LM6U	324	529	68	
18	32	6	11	7	8		LM8U	431	784	105	
22	37	8	13	7	10		LM10U	588	1100	185	
25	39	8	14	6.5	12		LM12U	657	1200	205	
26	41	8	15	6.5	13		LM13U	814	1570	242	
35	46	9	19.5	6	16		LM16U	1230	2350	403	
36	52	11	21	7	20	0 -0.010	LM20U	1400	2750	520	
41	68	12	25.5	4	25		LM25U	1560	3140	1120	
49	72	15	29.5	5	30		LM30U	2490	5490	1440	