

Standard – igubal® spherical balls

iglidur® W300 ▶ Page 171



WKM
K series
metric/imperial
▶ Page 845

WEM
E series
metric/imperial
▶ Page 845

Low-cost – igubal® spherical balls

iglidur® R ▶ Page 247



RKM
K series
metric
▶ Page 846

REM
E series
metric
▶ Page 846

High temperatures – igubal® spherical balls

iglidur® X ▶ Page 279



XKM
K series
metric
▶ Page 847

XEM
E series
metric
▶ Page 847

Low moisture absorption igubal® spherical balls

iglidur® J ▶ Page 159



JKM
K series
metric
▶ Page 848–850

JEM
E series
metric
▶ Page 848

Cost-effective – igubal® spherical balls

iglidur® J4, ▶ Page 1652



J4KM
K series
Metric
▶ Page 851

J4EM
E series
Metric
▶ Page 851

Underwater applications – igubal® spherical balls

iglidur® UW ▶ Page 509



UWEM
E series
Metric
▶ Page 852

J4VEM
E series
Metric
▶ Page 853

Detectable – igubal® spherical balls

iglidur® RN248 ▶ Page 1657



RN248KM
K series
Metric
▶ Page 854

RN248EM
E series
Metric
▶ Page 854

For metallic bearing housings – igubal® spherical balls

iglidur® J
▶ Page 159

iglidur® A180
▶ Page 401

iglidur® A350
▶ Page 385

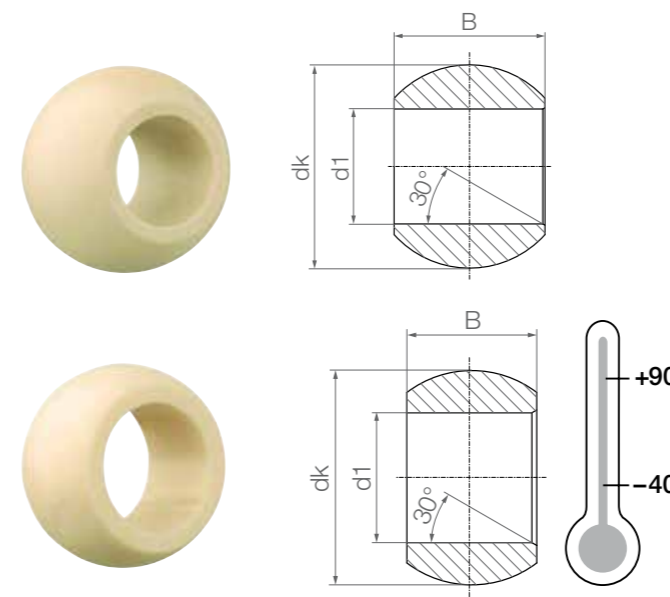


Standard
UC series
Metric
▶ Page 855

FDA-compliant
UC series
Metric
▶ Page 855

FDA-compliant, high temp.
UC series
Metric
▶ Page 855

Standard spherical balls: WKM and WEM



Dimensions [mm]

Part No.	d1 E10	dK	B	Weight [g]
WKM-02-04	2	5.10	4	0.1
WKM-03-06	3	8.10	6	0.3
WKM-05-08	5	11.30	8	0.6
WKM-06-09	6	12.80	9	0.9
WKM-08-12	8	16.00	12	1.6
WKM-10-14	10	19.00	14	2.7
WKM-12-16	12	22.10	16	4.0
WKM-14-19	14	25.40	19	6.0
WKM-16-21	16	28.40	21	8.2
WKM-18-23	18	31.50	23	10.8
WKM-20-25	20	35.10	25	14.5
WKM-22-28	22	38.30	28	18.7
WKM-25-31	25	42.90	31	26.0
WKM-30-37	30	51.20	37	44.7

Order key

Type Size [mm] Options

W M-02-04

iglidur® W300 spherical balls

Dimensional series
Metric
Inner Ø d1
Width

Series
K = Dimensional K series
E = Dimensional E series

Imperial dimensions available
▶ Page 1610

Dimensions [mm]

Part No.	d1 E10	dK	B	Weight [g]
WEM-04-05	4	8.30	5	0.2
WEM-05-06	5	10.30	6	0.3
WEM-06-06	6	10.30	6	0.4
WEM-08-08	8	13.30	8	0.7
WEM-10-09	10	16.10	9	1.2
WEM-12-10	12	18.10	10	1.5
WEM-15-12	15	22.00	12	2.4
WEM-16-13	16	24.10	13	3.3
WEM-17-14	17	25.10	14	3.7
WEM-20-16	20	29.10	16	5.3
WEM-25-20	25	35.60	20	9.5
WEM-30-22	30	40.90	22	12.1