



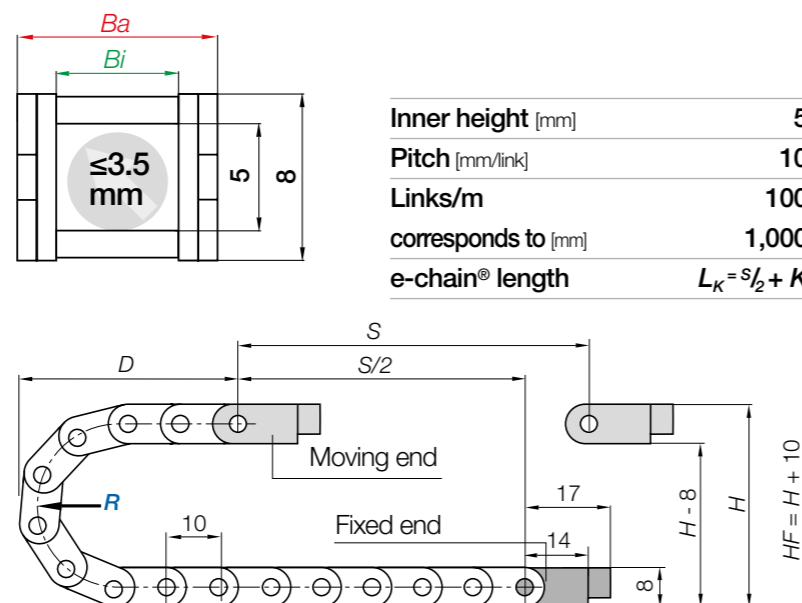
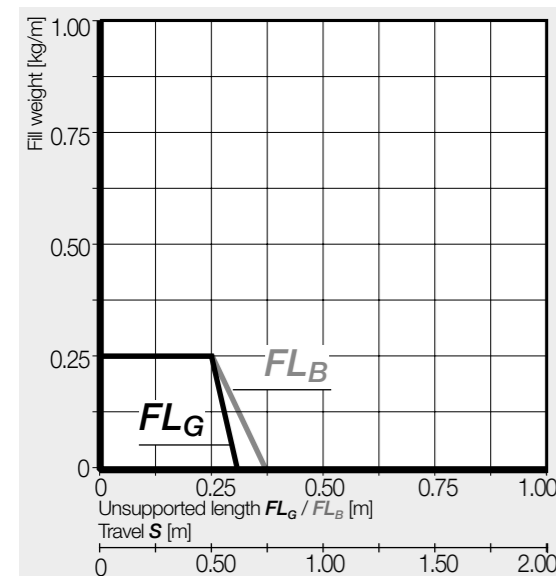
e-chains® | Series 03 | One-piece, non-openable

Part No.	Bi	Ba	R Available bend radii	Weight
e-chains®	[mm]	[mm]	[mm]	[kg/m]
03.05.R.0®	5	8.7	010 012 015 018 028	≈ 0.04
03.07.R.0	7	10.7	010 012 015 018 028	≈ 0.05
03.10.R.0®	10	13.7	010 012 015 018 028	≈ 0.06

© RBR version (Reverse Bend Radius), some radii available from stock. More information ► From page 130

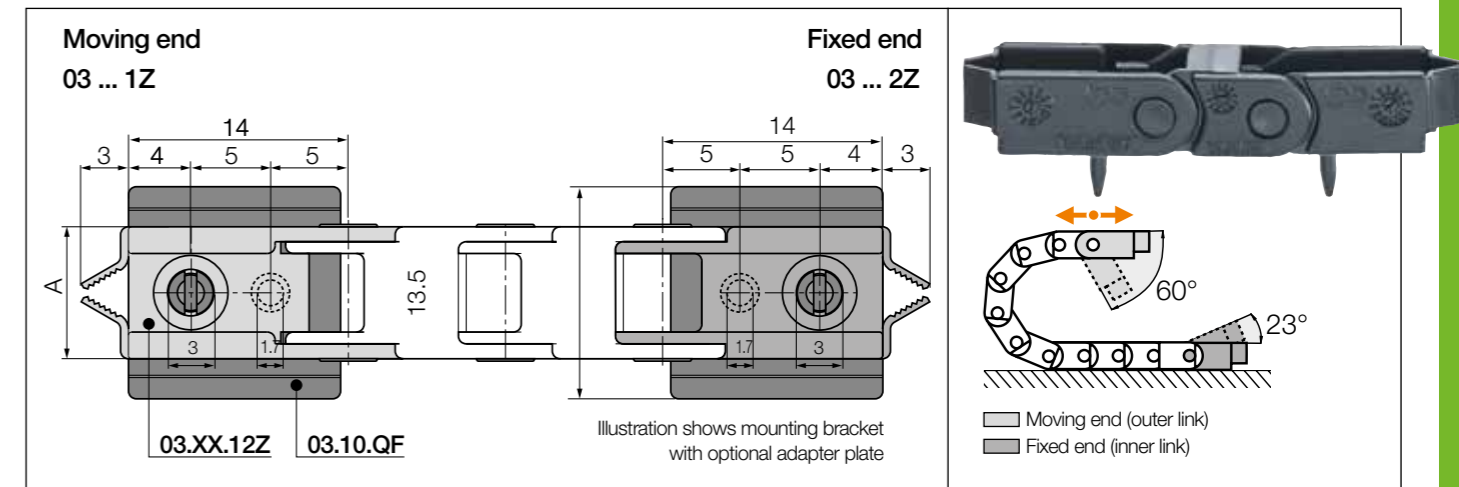
Complete Part No. with required radius (R). Example: 03.05.028.0

Installation dimensions



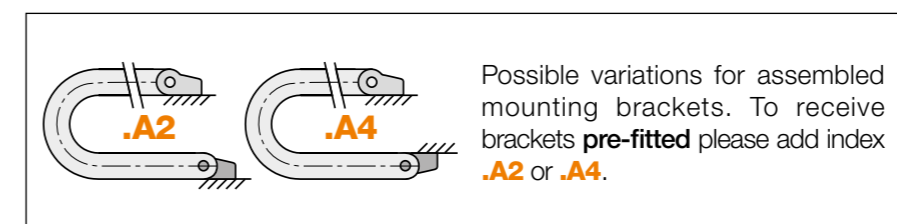
R	010	012	015	018	028
H	28	32	38	44	64
D	29	31	34	37	47
K	55	60	70	80	110

The required clearance height: $H_F = H + 10\text{mm}$ (with 0.1kg/m fill weight)

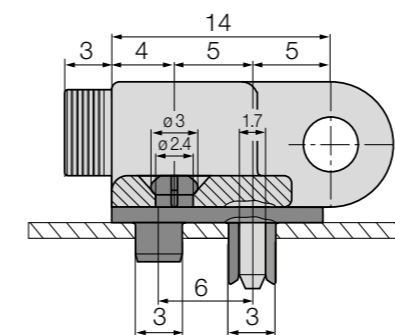


Width index	Part No. full set	A
		[mm]
05.	03.05.12Z	8.7
07.	03.07.12Z	10.7
10.	03.10.12Z	13.7

Material mounting bracket - igumid G, temperature: -40° up to +120°C, VDE 0304 IIC UL94-HB



03.05.12Z.A2 Order example
 .A... to indicate option with brackets pre-fitted
 Full set
 Series



Adapter plate for rapid installation for all sizes, Part No. 03.10.QF

The adapter has scored lines so that it can be adapted to the respective e-chain® width. The adapter plate is not always necessary when attaching the mounting brackets as they can also be screwed on without the adapter plate.



Rotating energy supply systems with Reverse Bend Radius (RBR) - some radii available from stock

- Maximum rotation angle in minimal installation space
- Minimal friction forces and maximum service life
- Short delivery times from stock

More information and the complete product range ► From page 130

