



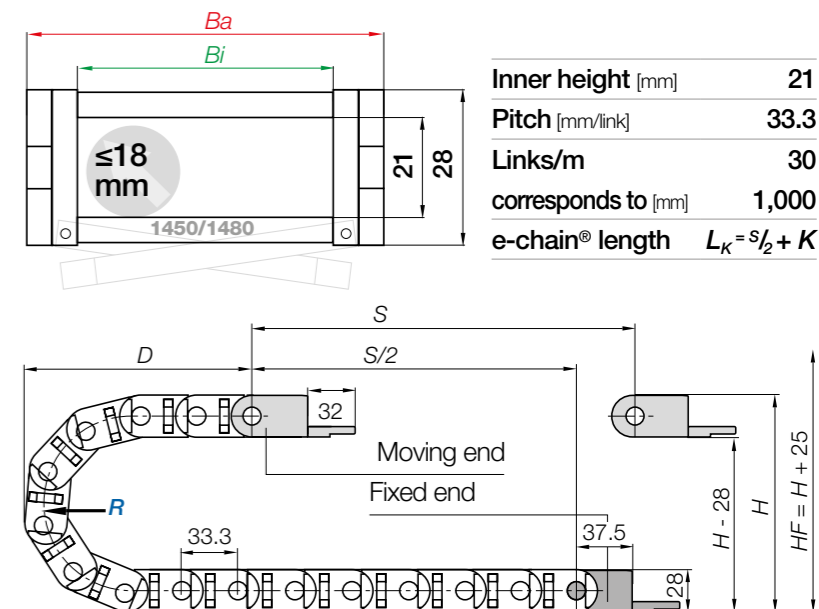
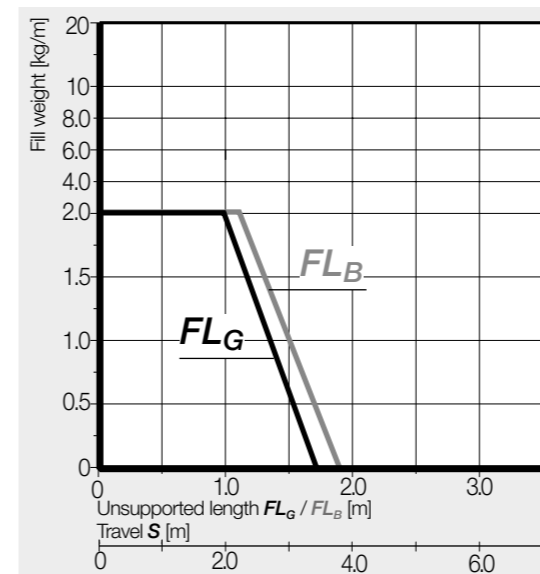
Half e-tubes | Series 1450 | Crossbars openable along inner radius from both sides, closed along outer radius  
 Full e-tubes | Series 1480 | Lids openable along inner radius from both sides, fully enclosed

Part No. half e-tubes openable along the inner radius	Part No. full e-tubes openable along the inner radius	Bi [mm]	Ba [mm]	R Available bend radii [mm]	1450 [kg/m]	1480 [kg/m]
1450.015 .R.0	1480.015 .R.0	15	28.5	035*   038*   048*   075   100   125   145   180	≈ 0.48	≈ 0.50
1450.025 .R.0	1480.025 .R.0	25	38.5	035*   038*   048*   075   100   125   145   180	≈ 0.54	≈ 0.57
1450.038 .R.0	1480.038 .R.0	38	51.5	035*   038*   048*   075   100   125   145   180	≈ 0.59	≈ 0.61
1450.050 .R.0	1480.050 .R.0	50	63.5	035*   038*   048*   075   100   125   145   180	≈ 0.65	≈ 0.67
1450.068 .R.0	1480.068 .R.0	68	81.5	035*   038*   048*   075   100   125   145   180	≈ 0.74	≈ 0.77
1450.080 .R.0	1480.080 .R.0	80	93.5	035*   038*   048*   075   100   125   145   180	≈ 0.80	≈ 0.84
1450.100 .R.0	1480.100 .R.0	100	113.5	035*   038*   048*   075   100   125   145   180	≈ 0.90	≈ 0.95
1450.125 .R.0	1480.125 .R.0	125	138.5	035*   038*   048*   075   100   125   145   180	≈ 1.03	≈ 1.08

\*Radius available upon request. Please consult igus® for delivery time.

For radii 035, 038, 048 the e-tube is not fully enclosed. Please consult igus®.

Complete Part No. with required radius (R). Example: 1450.038.100.0

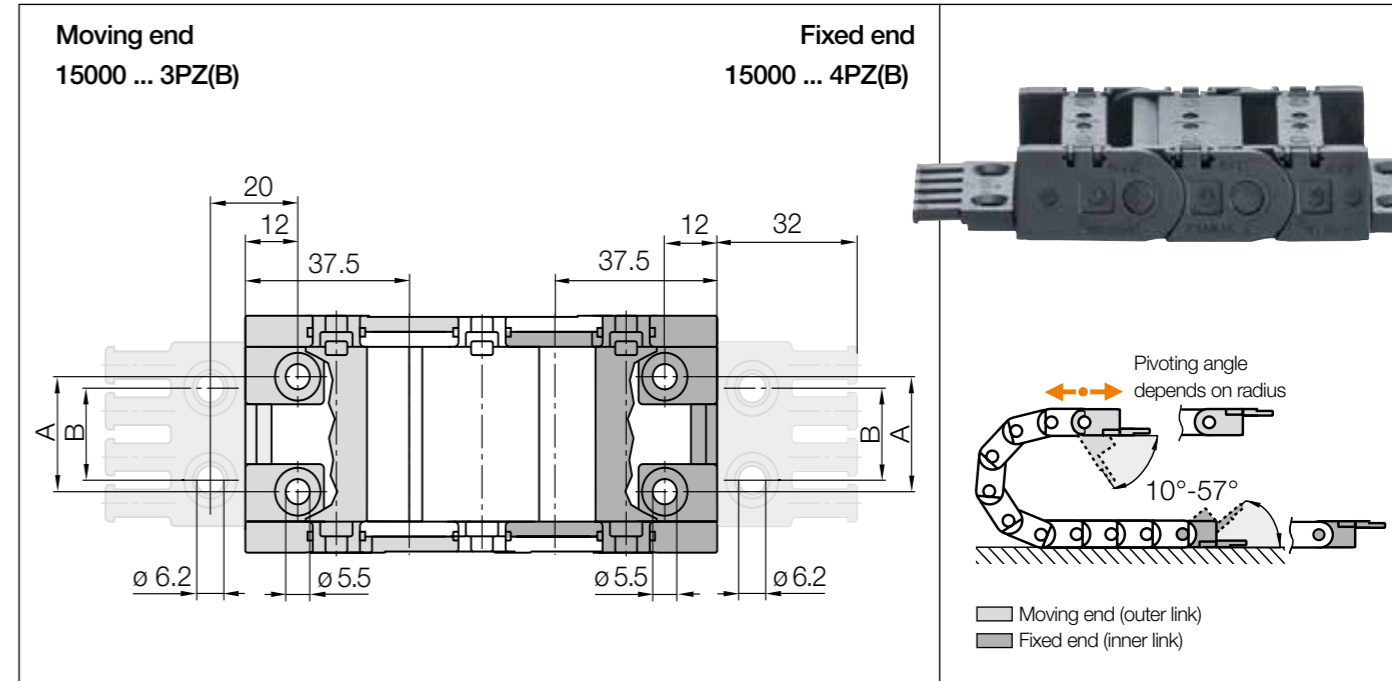
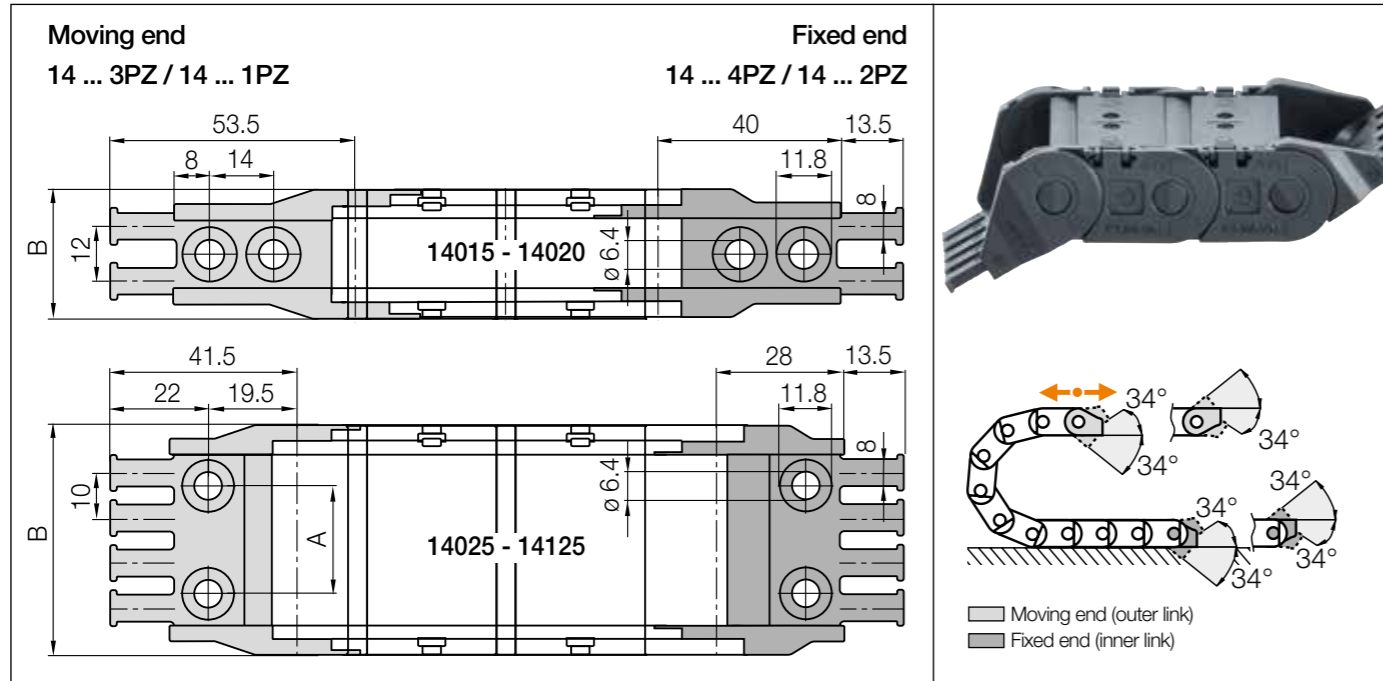


R	035*	038*	048*	075	100	125	145	180
H	98	104	124	178	228	278	318	388
D	99	102	112	139	164	189	209	244
K	180	190	220	305	385	460	525	635

The required clearance height:  $H_F = H + 25\text{mm}$  (with 0.5kg/m fill weight)

\*Radius available upon request. Please consult igus® for delivery time. Before using series 1450/1480 on long travels please consult igus®.

**i** If a gliding application is required for a long travel, please consult igus®.



**Polymer pivoting** | Recommended for unsupported applications  
**Polymer locking** | Recommended for vertical hanging and standing applications

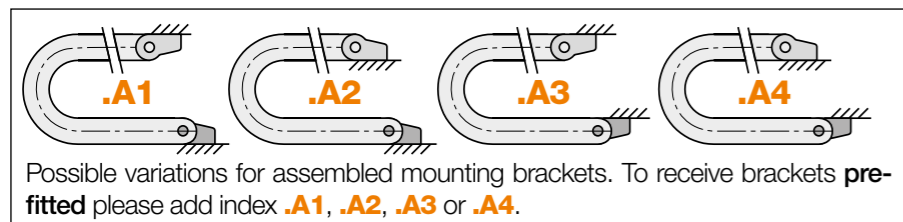
Width index	Part No. full set pivoting		Part No. full set locking		A [mm]	B [mm]	Number of teeth
	with tiewrap plates	without tiewrap plate	with tiewrap plates	without tiewrap plate			
015. ▶	14015.34PZ	-	14015.12PZ	-	-	28.5	2
025. ▶	14025.34PZ	-	14025.12PZ	-	13	38.5	2
038. ▶	14038.34PZ	-	14038.12PZ	-	24	51.5	4
050. ▶	14050.34PZ	-	14050.12PZ	-	36	63.5	5
068. ▶	14068.34PZ	-	14068.12PZ	-	54	81.5	7
080. ▶	14080.34PZ	-	14080.12PZ	-	66	93.5	8
100. ▶	14100.34PZ	-	14100.12PZ	-	86	113.5	10
125. ▶	14125.34PZ	-	14125.12PZ	-	111	138.5	13

**Polymer pivoting** | Recommended for unsupported and gliding applications  
**For tight installation spaces**

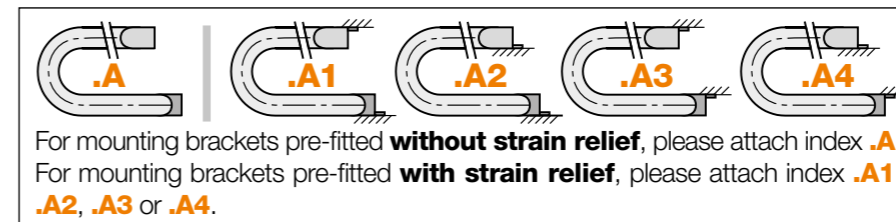
Width index	Part No. full set pivoting		Part No. full set locking		A [mm]	B [mm]	Number of teeth
	with tiewrap plates	without tiewrap plate	with tiewrap plates	without tiewrap plate			
015. ▶	-	-	-	-	-	-	-
025. ▶	15000.025.34PZB	15000.025.34PZ	-	-	12	15	3
038. ▶	15000.038.34PZB	15000.038.34PZ	-	-	25	20	4
050. ▶	15000.050.34PZB	15000.050.34PZ	-	-	37	30	5
068. ▶	15000.068.34PZB	15000.068.34PZ	-	-	55	40	6
080. ▶	15000.080.34PZB	15000.080.34PZ	-	-	67	60	8
100. ▶	15000.100.34PZB	15000.100.34PZ	-	-	87	80	10
125. ▶	15000.125.34PZB*	15000.125.34PZ*	-	-	112	100	12

\*Tiewrap plate (consists of 2x2050.ZB) does not snap on but needs to be bolted down separately.

**Note:** mounting brackets not to assemble at the gable end.



**14038.34PZ.A1** Order example  
 .A... to indicate option with brackets pre-fitted  
 With integrated strain relief tiewrap plates  
 Full set  
 Series



**15000.038.34PZ.A1** Order example  
 .A... to indicate option with brackets pre-fitted  
 With integrated strain relief tiewrap plates  
 Full set  
 Width index  
 Series

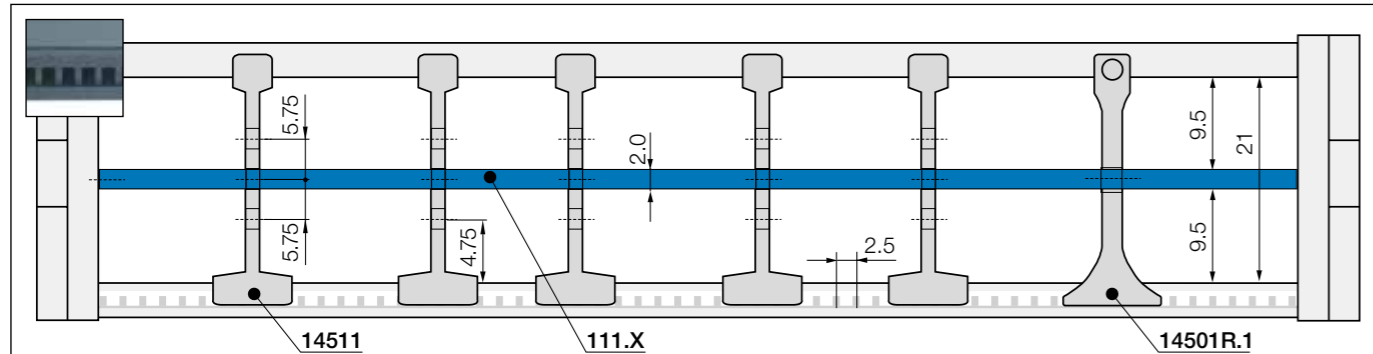


**Option: steel mounting bracket, locking.** For e-chains® and e-tubes, Part No. 14000.12  
 ● Locking connections ● One part (2-piece) for all e-chain® widths ● Electrically conductive

**Strain relief** e.g. clamps, tiewrap plates, nuggets and clips are available from stock. The complete chainfix range with ordering options ▶ From page 1392

**Strain relief** e.g. clamps, tiewrap plates, nuggets and clips are available from stock. The complete chainfix range with ordering options ▶ From page 1392

Interior separation



No lateral gap to side links necessary.  
As standard separators are fitted every 2<sup>nd</sup> e-chain® link!

		<b>Slotted separator</b> unassembled <b>14501</b>
		assembled <b>14511</b>

**Slotted separator**  
Vertical separation. The slot allows basic vertical/horizontal shelving arrangements.

		<b>Notch separator for notched crossbar</b> unassembled <b>14501R</b>
		assembled <b>14501R.1</b>

**Locks securely in preset increments**  
Notch separator for exact positioning. Recommended for side-mounted applications.  
Note: For this series notches only on fixed crossbars, not on openable crossbars/lids

		<b>Full-width shelf for e-tubes</b> unassembled <b>110.X</b>
		assembled <b>111.X</b>

**Full-width shelf**  
This option is for applications with many small cables with similar diameters. For full-width separation.

Full-width shelves Width = X [mm]	X [mm]			X [mm]			X [mm]		
	unassembled	assembled		unassembled	assembled		unassembled	assembled	
015	110.15	111.15		038	110.38	111.38	080	110.80	111.80
020	110.20	111.20		050	110.50	111.50	100	110.100	111.100
025	110.25	111.25		068	110.68	111.68	125	110.125	111.125

**Aluminium support tray**

- Corrosion-resistant and seawater-resistant aluminium rails with adjustable width
  - Noise-reducing glide strip integrated as standard
  - Easy installation and connection of the e-chain®
  - Open design - dirt and debris fall through
- More information ► From page 1362



Delivery of an igus® readychain® - here system E2/000 complete with chainflex® cables pre-fitted