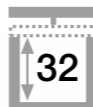


Fast opening, large inner height

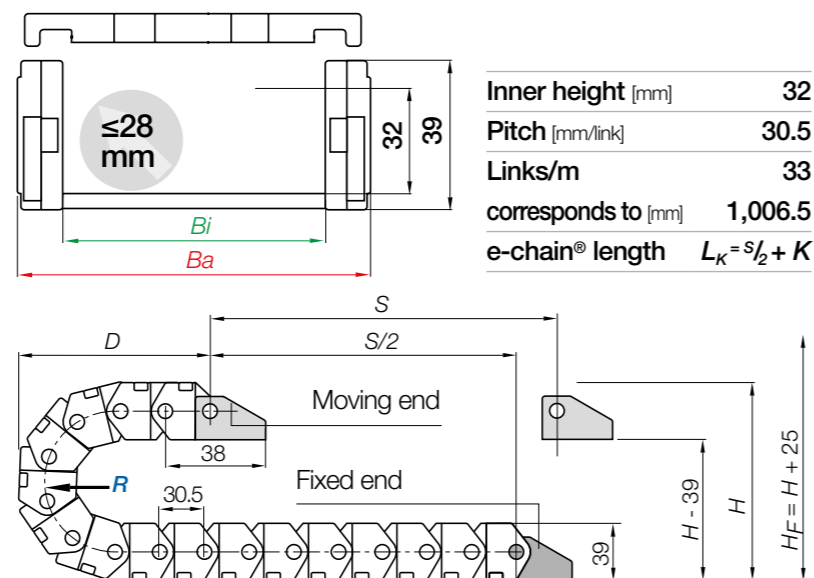
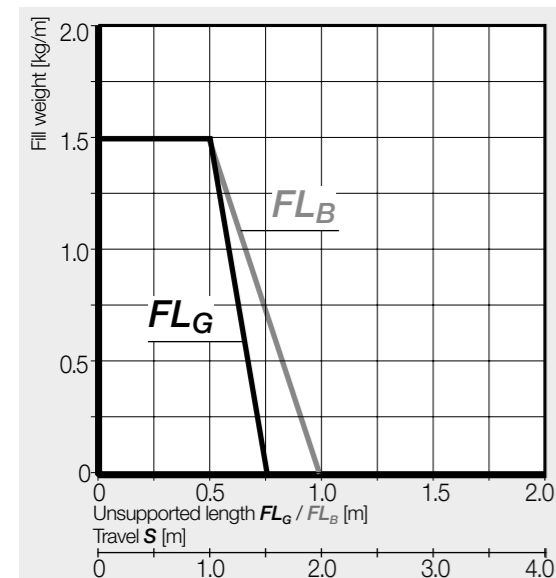


e-chains® | Series 17 | Crossbars on a strip - zip-open along the outer radius

Part No. e-chains®	<i>Bi</i>	<i>Ba</i>	<i>R</i> Available bend radii				Weight [kg/m]
	[mm]	[mm]	[mm]	[mm]	[mm]	[mm]	
17.1.R.0	15	25.5	063	075	100	125	≈ 0.52
17.2.R.0	25	35.5	063	075	100	125	≈ 0.59
17.3.R.0	38	48.5	063	075	100	125	≈ 0.65
17.4.R.0	50	60.5	063	075	100	125	≈ 0.70
17.5.R.0	63	76	063	075	100	125	≈ 0.83
17.6.R.0	80	93	063	075	100	125	≈ 0.92
17.7.R.0	100	113	063	075	100	125	≈ 1.06

Complete Part No. with required radius (*R*). Example: 17.2.075.0

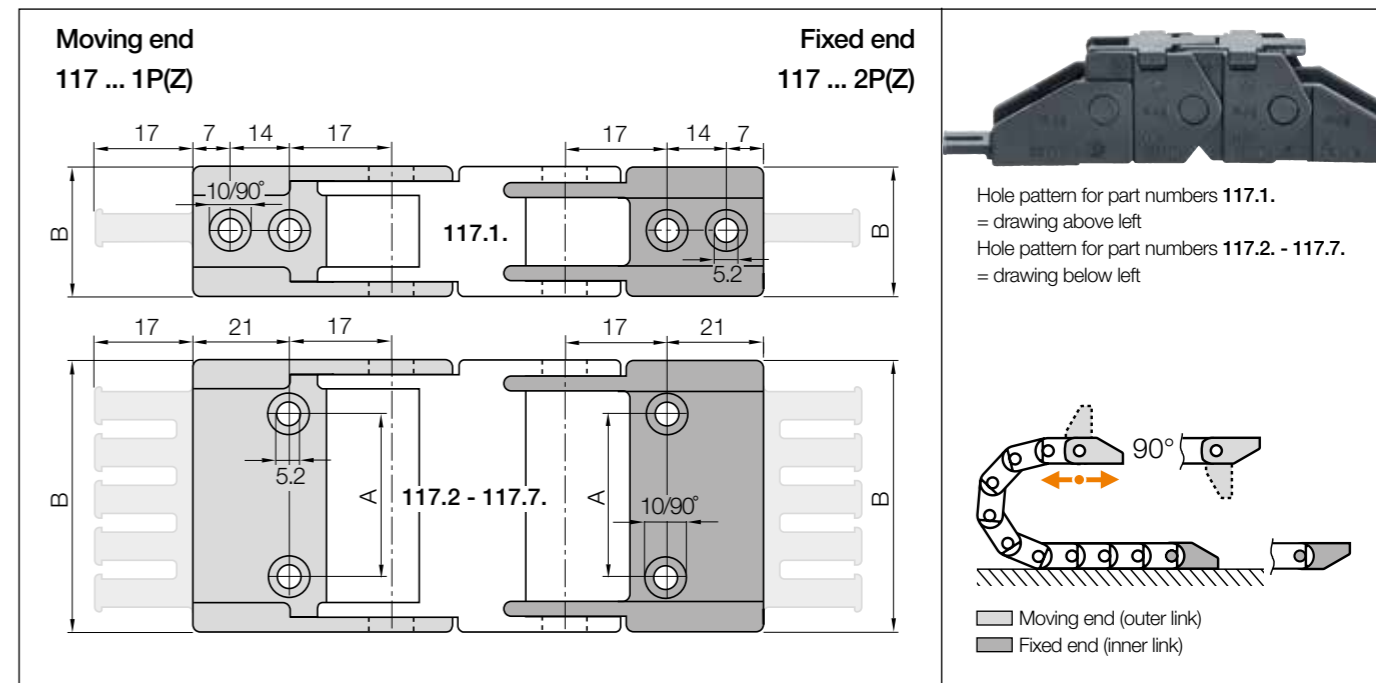
Installation dimensions



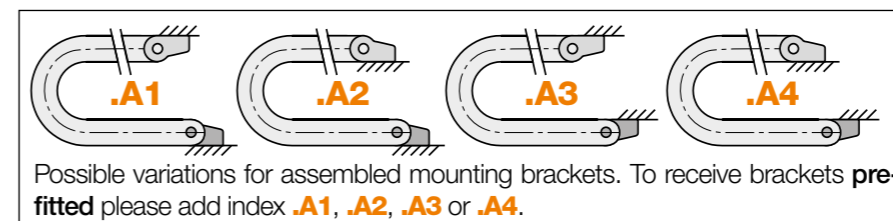
<i>R</i>	063	075	100	125
<i>H</i>	165	189	239	289
<i>D</i>	128	140	165	190
<i>K</i>	260	300	380	455

The required clearance height: $H_F = H + 25\text{mm}$ (with 1.5kg/m fill weight)

Mounting brackets, polymer one-piece | Locking



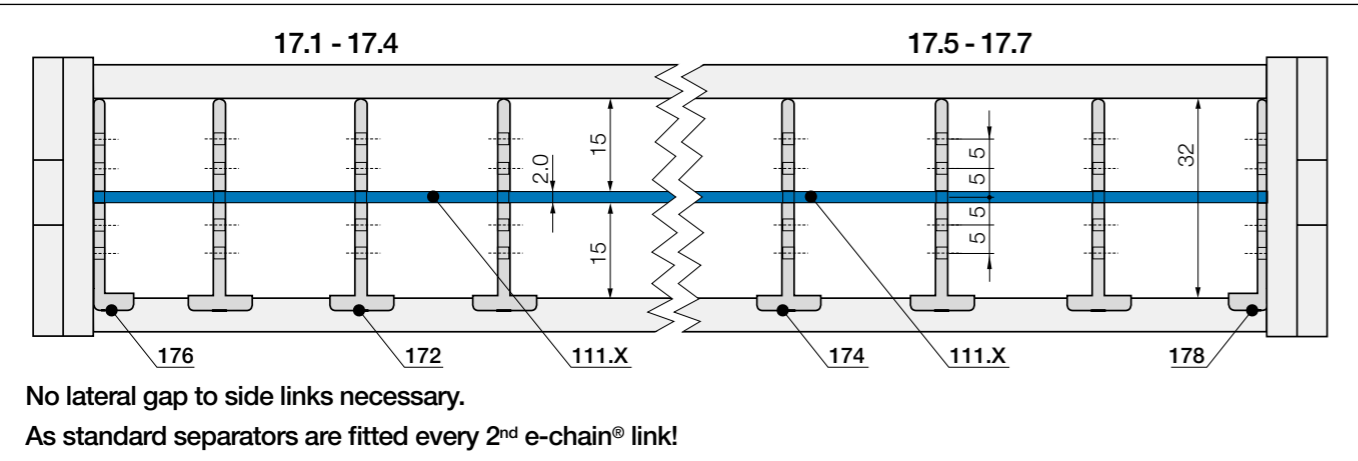
Width index	Standard	Part No. full set with tiewrap plates	Part No. full set without tiewrap plates	<i>A</i> [mm]	<i>B</i> [mm]	Number of teeth
1.	▶	117.1.12PZ	117.1.12P	-	25.5	1
2.	▶	117.2.12PZ	117.2.12P	12	35.5	3
3.	▶	117.3.12PZ	117.3.12P	25	48.5	4
4.	▶	117.4.12PZ	117.4.12P	37	60.5	5
5.	▶	117.5.12PZ	117.5.12P	48	76	6
6.	▶	117.6.12PZ	117.6.12P	65	93	8
7.	▶	117.7.12PZ	117.7.12P	85	113	10



Possible variations for assembled mounting brackets. To receive brackets pre-fitted please add index .A1, .A2, .A3 or .A4.

117.2.12PZ.A1 Order example
 .A... to indicate option with brackets pre-fitted
 With integrated strain relief tiewrap plates
 Full set
 Series

Interior separation



		Slotted separator unassembled 171 assembled 172
--	--	--

For width index 17.1 up to 17.4
Slotted separator
 Vertical separation. The slot allows basic vertical/horizontal shelving arrangements.

		Slotted side plate unassembled 175 assembled 176
--	--	---

Slotted side plate
 Allows modular shelving right up to the side links. No clearance required!

		Slotted separator unassembled 173 assembled 174
--	--	--

For width index 17.5 up to 17.7
Slotted separator
 Vertical separation. The slot allows basic vertical/horizontal shelving arrangements.

		Slotted side plate unassembled 177 assembled 178
--	--	---

Slotted side plate
 Allows modular shelving right up to the side links. No clearance required!

		Full-width shelf for e-chains® unassembled 110.X assembled 111.X
--	--	---

For all widths
Full-width shelf
 This option is for applications with many small cables with similar diameters. For full-width separation.

Full-width shelves Width = X [mm]	X [mm]	unassembled	assembled	X [mm]	unassembled	assembled	X [mm]	unassembled	assembled
		015	110.15	111.15	050	110.50	111.50	100	110.100
	025	110.25	111.25	063	110.63	111.63			
	038	110.38	111.38	080	110.80	111.80			

