

Hollow Cone Nozzles Series 2MN

Series 2MN

- Extremely fine, fog-like hollow cone spray
- Non-return valve included

Applications

Moisturization, adiabatic cooling, disinfection

Materials

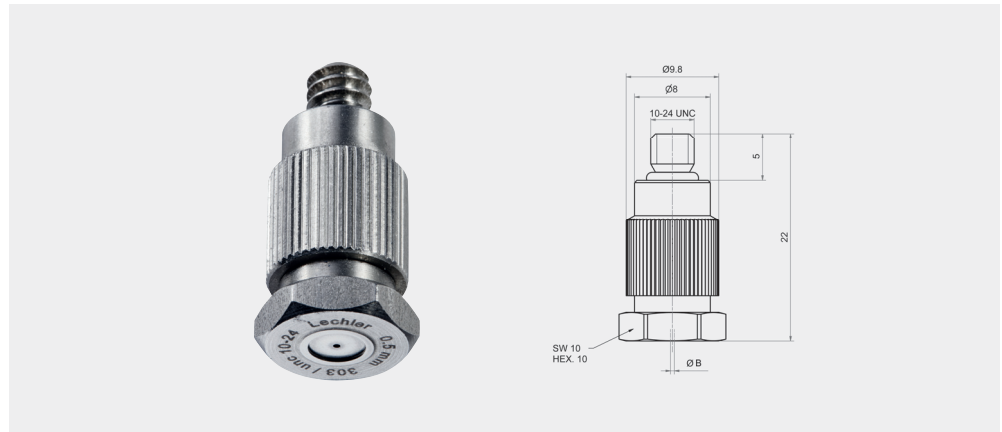
303 SS, nozzle tip 316L SS, spring 302 SS, gaskets NBR

Connection

10-24 UNC

Additional versions on request:

- Bore diameters
 - 0.6 mm
 - 0.7 mm
- Connections
 - 12-24 UNC
 - M5
- Material
 - 316L SS



Nozzles

Spray angle 	Ordering no.		B Ø [mm]	V̇ [l/min]								
	Type	Mat. no.		p [bar] (p _{min} = 30 bar)* (p _{max} = 130 bar)**								
			16		30	40	50	60	70	80	90	100
55°	2MN.014.16.00.00	○	0.15	0.024	0.038	0.043	0.047	0.050	0.058	0.064	0.068	
70°	2MN.025.16.00.00	○	0.2	0.041	0.057	0.063	0.071	0.075	0.081	0.085	0.091	
85°	2MN.055.16.00.00	○	0.3	0.070	0.082	0.091	0.102	0.105	0.116	0.122	0.132	
90°	2MN.086.16.00.00	○	0.4	0.094	0.116	0.128	0.142	0.150	0.159	0.169	0.185	
95°	2MN.106.16.00.00	○	0.5	0.117	0.136	0.160	0.180	0.190	0.195	0.209	0.228	

B = bore diameter

* Opening pressure: approx. 8 bar

** The pipe system is the limiting factor.