



# Maxi multi-channel round jet nozzles for air Series 600.387.35

## Series 600.387.35

The maxi multi-channel round jet nozzles of the 600.387 series generate a circular, very powerful air jet. Due to the large nozzle cross-section, these nozzles focus large quantities of air into a concentrated jet that has a powerful impact even over large distances. In spite of this, the noise level still remains low.



**Cost savings**

**15%**



**Noise reduction**

**16%**



### Materials

Brass nickel plated,  
PVC



### Blowing force

12.8 N at 2 bar



### Noise level

93 db(A) at 2 bar



### Air consumption

$V_{LN} = 157 \text{ m}^3/\text{h}$  at 2 bar



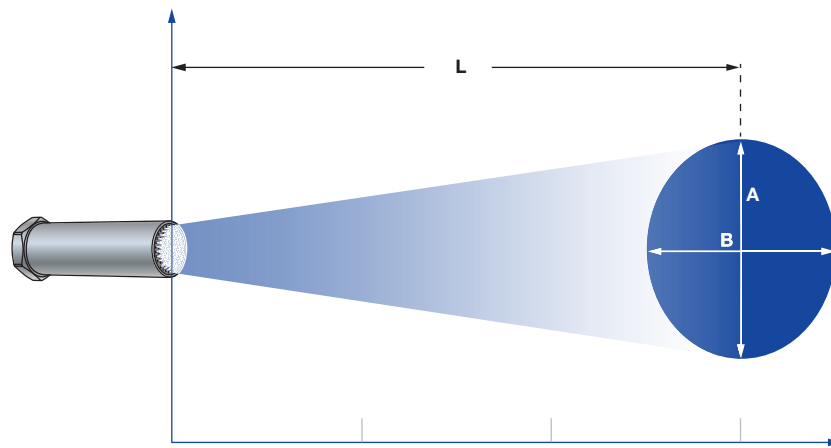
### Pressure

$p_{\text{max}} = 6 \text{ bar}$



### Max. temperature

50 °C

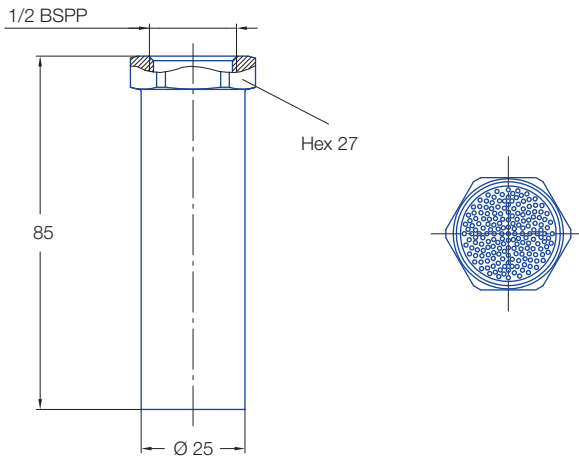


Jet pattern of 600.387 nozzle series

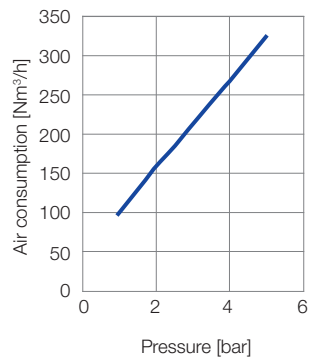
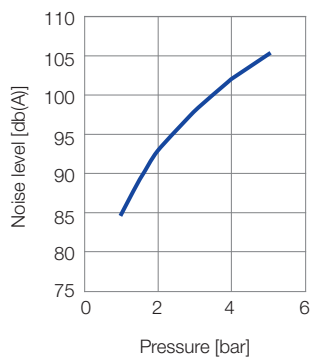
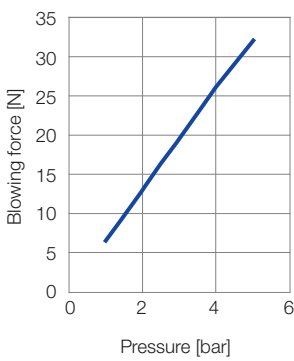
Pressure:	1 bar	3 bar	5 bar
Distance L [mm]:	800	800	800

Jet dimensions at L

A [mm]:	220	255	310
B [mm]:	220	255	310



**Technical data**



Ordering no.		
Type	Mat. no.	Code
	<b>35</b> Brass nickel plated, PVC	1/2 BSPP
<b>600.387.</b>	○	<b>AH</b>

**Example of ordering:** Type + Mat. no. + Code = Ordering no.  
 600.387. + 35 + AH = 600.387.AH.00