



# Flat jet tongue-type nozzles for air or saturated steam Series 686

## Series 686

The flat jet tongue-type nozzles of the 686 series are suitable for short blowing distances. The compact design allows for large jet widths even for small spaces. The versions in brass and stainless steel 303 SS can also be used with high ambient temperatures.



**Materials**  
Stainless steel  
303 SS, Brass



**Noise level**  
73-84 db(A) at 2 bar



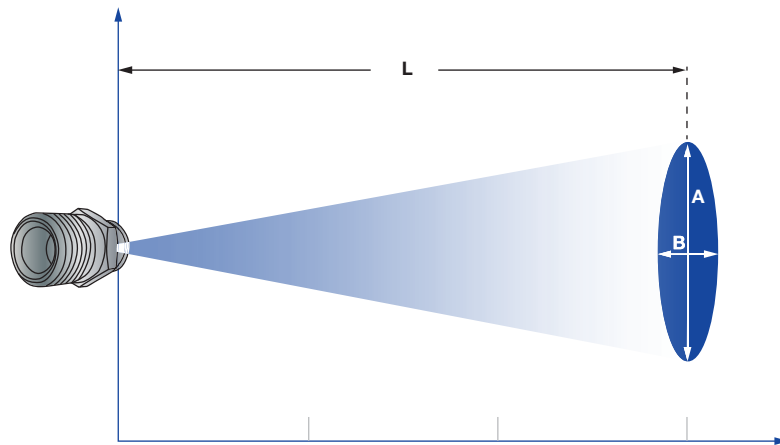
**Air consumption**  
see table



**Pressure**  
 $p_{max} = 30 \text{ bar}$



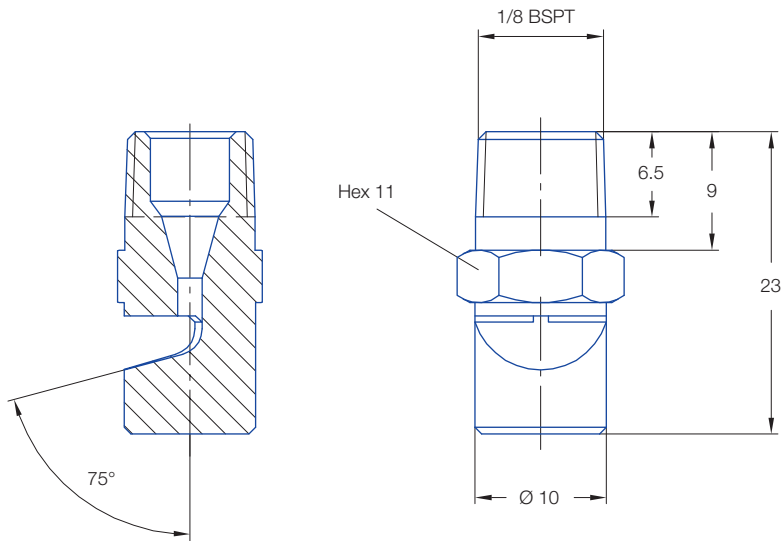
**Max. temperature**  
550 °C (Stainless steel)  
240 °C (Brass)




Jet pattern of 686 nozzle series

Pressure:		1 bar	3 bar	5 bar
686.408	Distance L [mm]:	40	80	125
	A [mm]:	35	50	60
	B [mm]:	15	40	50
686.528	Distance L [mm]:	60	100	150
	A [mm]:	75	140	210
	B [mm]:	20	40	50
686.608	Distance L [mm]:	90	175	250
	A [mm]:	145	230	350
	B [mm]:	25	45	55

Pressure:		1 bar	3 bar	5 bar
686.688	Distance L [mm]:	150	400	525
	A [mm]:	230	560	740
	B [mm]:	40	80	100
686.728	Distance L [mm]:	180	230	375
	A [mm]:	170	360	530
	B [mm]:	50	50	70



<b>Spray angle</b> 	Ordering no.				B Ø [mm]	$\eta$	$\dot{V}_n$ Air [m³/h]				$\dot{M}$ Saturated steam [kg/h]			
	Type	Mat. no.		Code			p [bar]				p [bar]			
		16	30				1.0	2.0	5.0	10.0	1.0	2.0	5.0	10.0
approx. 70°	<b>686.408</b>	○	○	<b>CA</b>	1.0	75°	1.07	1.60	3.20	5.86	0.88	1.31	2.57	4.64
	<b>686.488</b>	○	○	<b>CA</b>	1.3	75°	1.76	2.64	5.29	9.69	1.46	2.17	4.25	7.67
	<b>686.528</b>	○	○	<b>CA</b>	1.5	75°	2.20	3.31	6.61	12.13	1.83	2.71	5.31	9.59
	<b>686.568</b>	○	○	<b>CA</b>	1.7	75°	2.73	4.09	8.19	15.01	2.27	3.36	6.57	11.87
	<b>686.608</b>	○	○	<b>CA</b>	1.9	75°	3.35	5.02	10.04	18.40	2.78	4.11	8.06	14.55
	<b>686.688</b>	○	○	<b>CA</b>	2.4	75°	5.45	8.18	16.36	30.00	4.53	6.71	13.14	23.72
	<b>686.728</b>	○	○	<b>CA</b>	2.7	75°	6.88	10.33	20.65	37.86	5.71	8.46	16.58	29.94
	<b>686.808</b>	○	○	<b>CA</b>	3.4	75°	10.89	16.33	32.66	59.87	9.04	13.28	26.22	47.35

B = bore diameter

**Example of ordering:** Type + Mat. no. + Code = Ordering no.  
 686.408 + 16 + CA = 686.408.16.CA