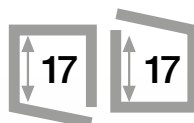


Openable along the inner or outer radius



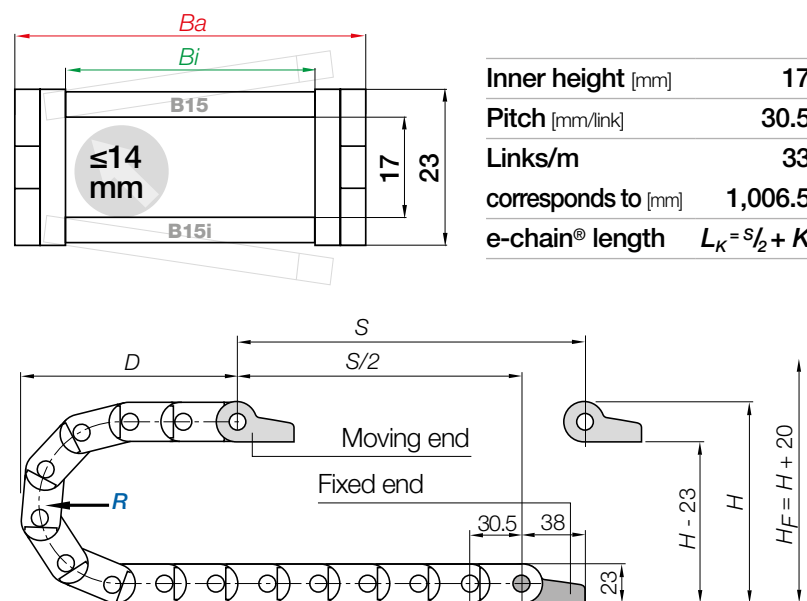
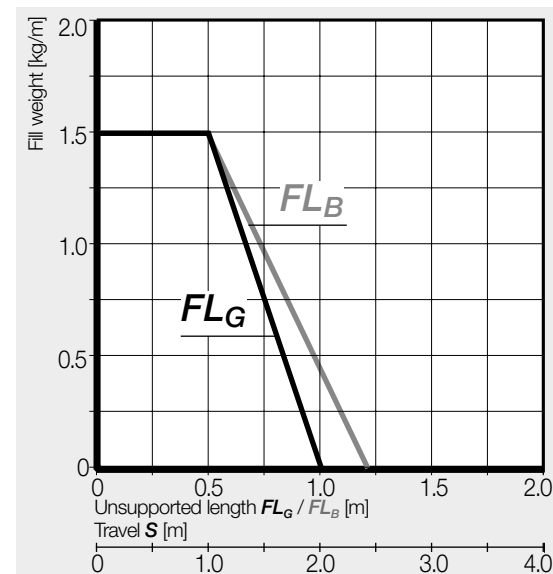
e-chains® | Series B15i | Openable along the inner radius, from one side
 e-chains® | Series B15 | Openable along the outer radius, from one side

Part No. e-chains® openable along inner radius	Part No. e-chains® openable along outer radius	Bi [mm]	Ba [mm]	R Available bend radii [mm]	Weight [kg/m]
B15i.015.R.0	B15.015.R.0	15	26	038 048 075 100 110 125 145 180	≈ 0.35
B15i.025.R.0	B15.025.R.0	25	36	038 048 075 100 110 125 145 180	≈ 0.40
B15i.038.R.0	B15.038.R.0	38	49	038 048 075 100 110 125 145 180	≈ 0.46
B15i.050.R.0	B15.050.R.0	50	61	038 048 075 100 110 125 145 180	≈ 0.52
B15i.5 .R.0	B15.5 .R.0	63	76	038 048 075 100 110 125 145 180	≈ 0.63
B15i.6 .R.0	B15.6 .R.0	80	94	038 048 075 100 110 125 145 180	≈ 0.70
B15i.7 .R.0	B15.7 .R.0	100	113	038 048 075 100 110 125 145 180	≈ 0.76

Ⓡ RBR version (Reverse Bend Radius), some radii available from stock. More information ▶ From page 130

Complete Part No. with required radius (R). Example: B15.025.038.0

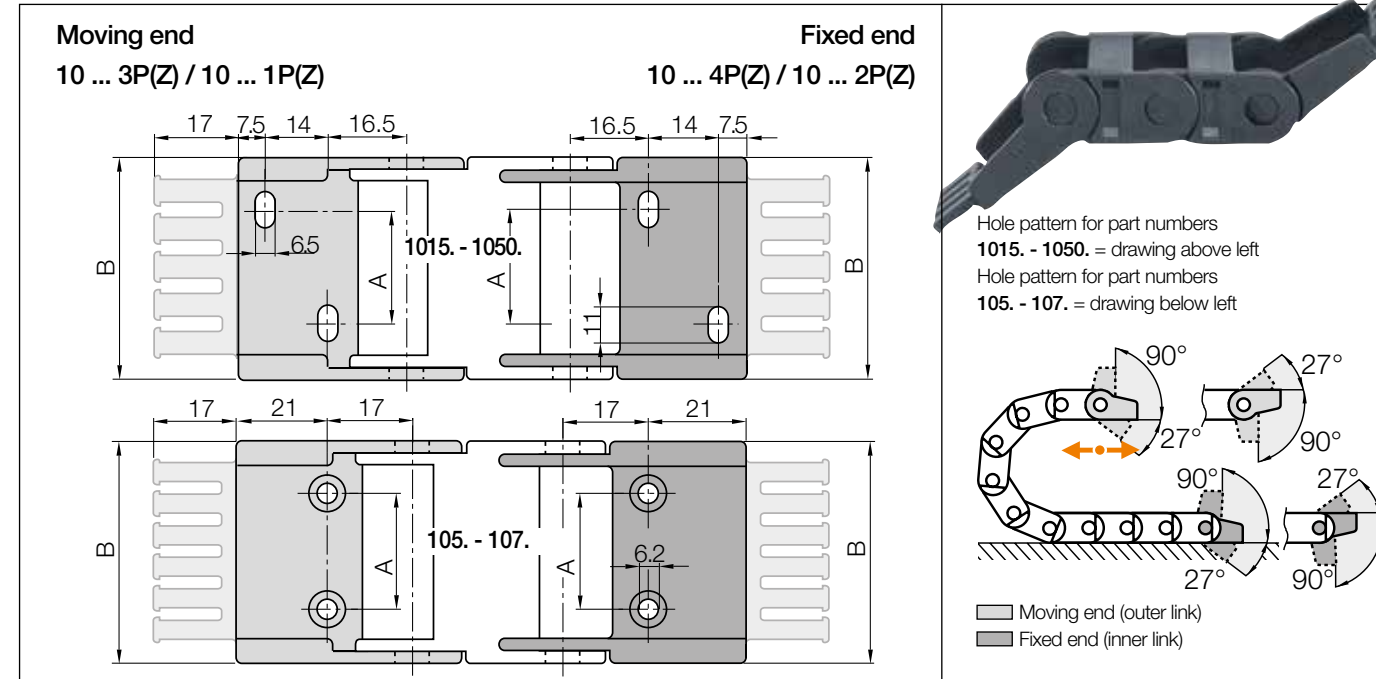
Installation dimensions



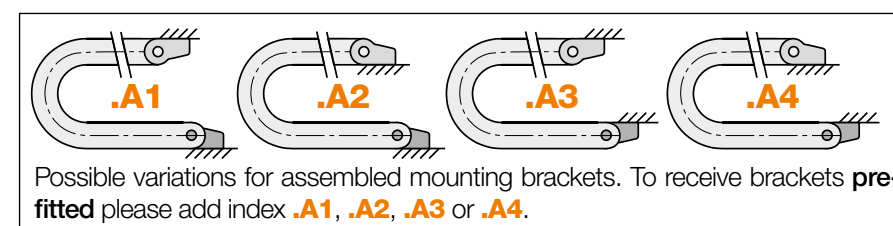
R	038	048	075	100	110	125	145	180
H	99	119	173	223	243	273	313	383
D	95	105	132	157	167	182	202	237
K	185	215	300	380	410	455	520	630

The required clearance height: $H_F = H + 20\text{mm}$ (with 0.5kg/m fill weight)

Mounting brackets, polymer one-piece | Pivoting | Locking



Width index	Part No. full set pivoting with tiewrap plates	Part No. full set pivoting without tiewrap plate	Part No. full set locking with tiewrap plates	Part No. full set locking without tiewrap plate	A [mm]	B [mm]	Number of teeth
015. ▶	1015.34PZ	1015.34P	1015.12PZ	1015.12P	-	25.5	2
025. ▶	1025.34PZ	1025.34P	1025.12PZ	1025.12P	10	35.5	3
038. ▶	1038.34PZ	1038.34P	1038.12PZ	1038.12P	23	48.5	4
050. ▶	1050.34PZ	1050.34P	1050.12PZ	1050.12P	35	60.5	5
5. ▶	105. 34PZ	105. 34P	105. 12PZ	105. 12P	48	75.0	6
6. ▶	106. 34PZ	106. 34P	106. 12PZ	106. 12P	65	92.0	8
7. ▶	107. 34PZ	107. 34P	107. 12PZ	107. 12P	85	112.0	10



Possible variations for assembled mounting brackets. To receive brackets pre-fitted please add index .A1, .A2, .A3 or .A4.

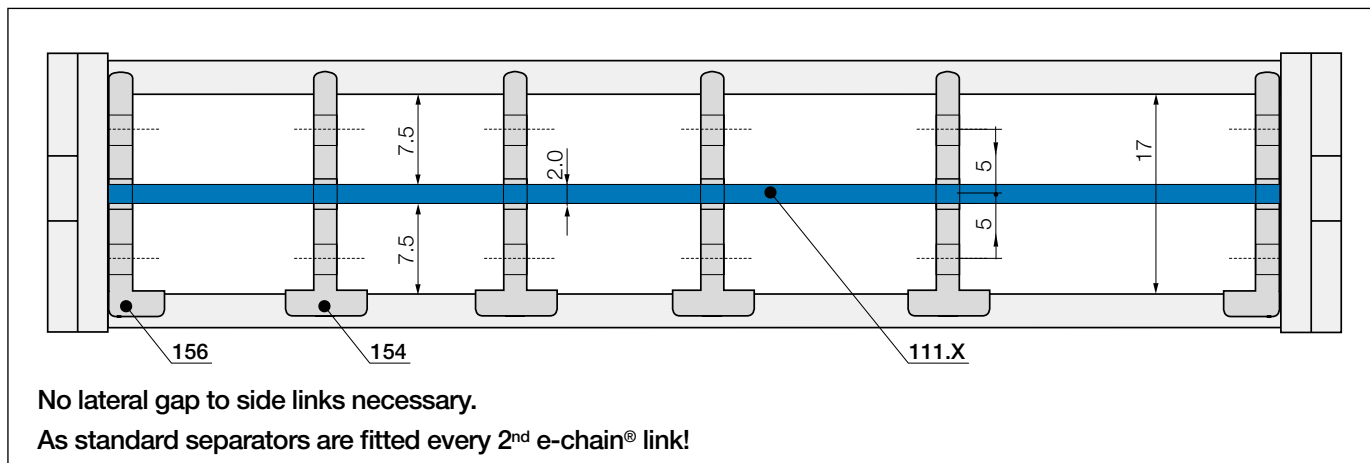
1025.34PZ.A1 Order example
 .A... to indicate option with brackets pre-fitted
 With integrated strain relief tiewrap plates
 Full set
 Series

Rotating energy supply systems with Reverse Bend Radius (RBR) - some radii available from stock

- Maximum rotation angle in minimal installation space
- Minimal friction forces and maximum service life
- Short delivery times from stock

More information and the complete product range ▶ From page 130





		Slotted separator unassembled 153 assembled 154
--	--	--

Slotted separator
Vertical separation. The slot allows basic vertical/horizontal shelving arrangements.

		Slotted side plate unassembled 155 assembled 156
--	--	---

Slotted side plate
Allows modular shelving right up to the side links. No clearance required!

		Full-width shelf for e-chains® unassembled 110.X assembled 111.X
--	--	---

Full-width shelf
This option is for applications with many small cables with similar diameters. For full-width separation.

Full-width shelves Width = X [mm]	X [mm]		X [mm]		X [mm]	
	unassembled	assembled	unassembled	assembled	unassembled	assembled
	015	110.15	111.15	050	110.50	111.50
	025	110.25	111.25	063	110.63	111.63
	038	110.38	111.38	080	110.80	111.80



E2 mini is a space-saving, reliable cable guide, here supplying power to lift doors