

## BBS/DHG

### HIGH PRESSURE-THREE-WAY BALL VALVE WITH THREADED PORTS

DN 3-40 | PN 63 -400

#### MATERIALS

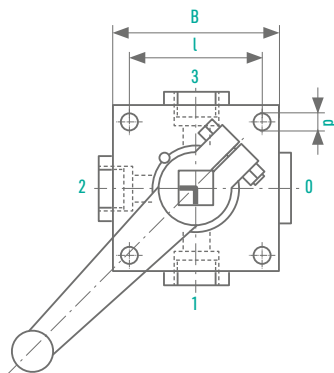
MATERIALS	PN	DN	Type 1	Type 2
<b>Body</b>	63-400	3-40	Steel	Steel
<b>Ball</b>	100-400	3	Stainless steel	Stainless steel
		4-20	Brass, hard chromed	Brass, hard chromed
<b>Ball</b>	63-100	25-40	Ductile iron, hard chromed	Ductile iron, hard chromed
<b>Sealings</b>	63-400	3-40	Polyamid	PTFE
<b>O-Rings</b>	63-400	3-40	NBR	FPM

#### INFORMATION

##### 3-Way-Ball Valve with threaded ports

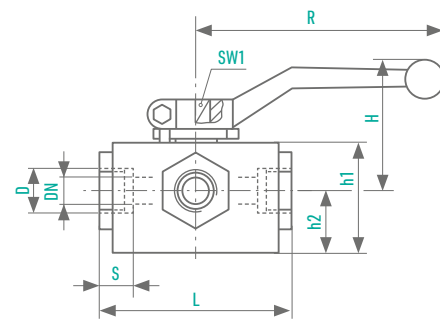
/// Construction with Zero-Position

/// The lever is included



#### OPTIONS

/// Special designs on request



Anschluss	DN (mm)	OD Pipe (mm)	Polyamid		D (mm)	i (mm)	L (mm)	B (mm)	l (mm)	h1 (mm)	h2 (mm)	D (mm)	H (mm)	R (mm)	SW1 (mm)	Wght (mm)	Order No. DHG L		Order No. DHG T	
			PTFE														Type 1	Type 2	Type 1	Type 2
2 For compression fitting, light series, DIN 2353	4	6	250*	250	M 12 x 1,5	10	102	70	55	47,5	26	6,5	73	205	16	2,0	0191441	0191520	0191400	0191481
	6	8	250*	250	M 14 x 1,5	10	102	70	55	47,5	26	6,5	73	205	16	2,0	0191442	0191521	0191401	0191482
	8	10	250*	200	M 16 x 1,5	11	114	80	65	53	30	6,5	75	205	16	3,0	0191443	0191522	0191402	0191483
	10	12	250*	200	M 18 x 1,5	11	114	80	65	53	30	6,5	75	205	16	3,0	0191444	0191523	0191403	0191484
	12	15	250	160	M 22 x 1,5	12	136	100	80	60	35	9	80	205	16	4,5	0191445	0191524	0191404	0191485
	16	18	160*	160	M 26 x 1,5	12	136	100	80	60	35	9	80	205	16	4,5	0191446	0191525	0191405	0191486
	20	22	160*	100	M 30 x 2	14	149	110	85	72	42,5	9	85	300	16	7,0	0191447	0191526	0191406	0191487
	25	28	100	63	M 36 x 2	14	170	130	105	85	47,5	11	95	350	22	8,0	0191448	0191527	0191407	0191488
	32	35	80	63	M 45 x 2	16	198	150	115	95	52,5	11	100	350	22	10,5	0191449	0191528	0191408	0191489
	40	42	63	63	M 52 x 2	16	238	190	150	110	57,5	14,5	110	350	22	20,0	0191450	0191529	0191409	0191490
3 For compression fitting, heavy series, DIN 2353	4	8	400	250	M 16 x 1,5	12	106	70	55	47,5	26	6,5	73	205	16	2,0	0191451	0191530	0191410	0191491
	6	10	400	250	M 18 x 1,5	12	106	70	55	47,5	26	6,5	73	205	16	2,0	0191452	0191531	0191411	0191492
	8	12	315	200	M 20 x 1,5	12	116	80	65	53	30	6,5	75	205	16	3,0	0191453	0191532	0191412	0191493
	10	14	315	200	M 22 x 1,5	14	120	80	65	53	30	6,5	75	205	16	3,0	0191454	0191533	0191413	0191494
	12	16	250	160	M 24 x 1,5	14	140	100	80	60	35	9	80	205	16	4,5	0191455	0191534	0191414	0191495
	16	20	200	160	M 30 x 2	16	144	100	80	60	35	9	80	205	16	4,5	0191456	0191535	0191415	0191496
	20	25	200	100	M 36 x 2	18	157	110	85	72	42,5	9	85	300	16	7,0	0191457	0191536	0191416	0191497
	25	30	100	63	M 42 x 2	20	182	130	105	85	47,5	11	95	350	22	8,0	0191458	0191537	0191417	0191498
	32	38	80	63	M 52 x 2	22	210	150	115	95	52,5	11	100	350	22	10,5	0191459	0191538	0191418	0191499
	7 BSP female thread, DIN ISO 228/1	3	-	400	-	G 1/8	11	55	45	35	32	18	5,5	45	90	8	0,8	0191460	/	0191419
4		-	400	250	G 1/8	12,5	82	70	55	47,5	26	6,5	73	205	16	2,0	0191461	0191539	0191420	0191500
6		-	400	250	G 1/4	12,5	82	70	55	47,5	26	6,5	73	205	16	2,0	0191462	0191540	0191421	0191501
8		-	315	200	G 3/8	12,5	92	80	65	53	30	6,5	75	205	16	3,0	0191463	0191541	0191422	0191502
10		-	315	200	G 3/8	12,5	92	80	65	53	30	6,5	75	205	16	3,0	0191464	0191542	0191423	0191503
12		-	250	160	G 1/2	15	113	100	80	60	35	9	80	205	16	4,5	0191465	0191543	0191424	0191504
16		-	200	160	G 1/2	15	113	100	80	60	35	9	80	205	16	4,5	0191466	0191544	0191425	0191505
20		-	200	100	G 3/4	18	129	110	85	72	42,5	9	85	300	16	7,0	0191467	0191545	0191426	0191506
25		-	100	63	G 1	19	151	130	105	85	47,5	11	95	350	22	8,0	0191468	0191546	0191427	0191507
32		-	80	63	G 1 1/4	20	172	150	115	95	52,5	11	100	350	22	10,5	0191469	0191547	0191428	0191508
40	-	63	63	G 1 1/2	23	206	190	150	110	57,5	14,5	110	350	22	20,0	0191470	0191548	0191429	0191509	