



BBS/DUF

THREE-WAY-DIVERTER BALL VALVE WITH FLANGES

DN 50-100 | PN 10-40

MATERIALS

Werkstoffe	PN	DN	Type 1	Type 2
Body	10-40	50-100	Steel	Steel
Ball	10-40	50-100	Ductile iron, hard chromed	Ductile iron, hard chromed
Dichtungen	10-40	50-100	NBR	PTFE

Please state Order-No. & Version
DUF (T o. L) XXX.XXX

INFORMATION

3-Way-Ball Valve with flanges

/// Construction without Zero-Position

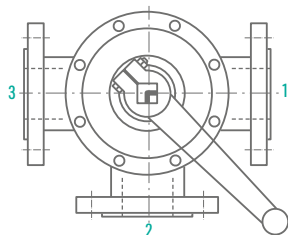
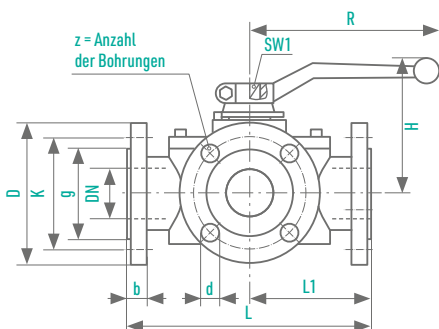
/// Flange dimensions DIN 2501 Blatt 1

/// The lever is included

OPTIONS

/// Other shapes of flange sealing surfaces on request.

/// Special designs on request



	DN (mm)	PN (bar)	L (mm)	L1 (mm)	D (mm)	g (mm)	K (mm)	b (mm)	z (mm)	d (mm)	H (mm)	R (mm)	SW1 (mm)	Wght (mm)	Sche- me T Ord.-No DUFT + ↓	Sche- me L Ord.-No DUF L + ↓
PN 10-16 Raised face	50	16	230	115	165	102	125	20	4	18	145	500	22	35,0	016050	016050
	65	16	290	145	185	122	145	22	4	18	155	500	22	47,0	016065	016065
	80	16	310	155	200	138	160	20	8	18	185	600	32	63,0	016080	016080
	100	16	350	175	220	158	180	20	8	18	195	600	32	84,0	016100	016100
PN 25 Raised face	50	25	230	115	165	102	125	20	4	18	145	500	22	35,0	025050	025050
	65	25	290	145	185	122	145	22	8	18	155	500	22	47,0	025065	025065
PN 40 Raised face	50	40	230	115	165	102	125	20	4	18	145	500	22	35,0	040050	040050