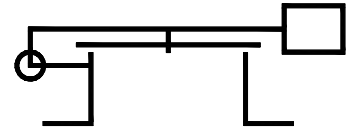


## Type sheet

### Pressure relief valve

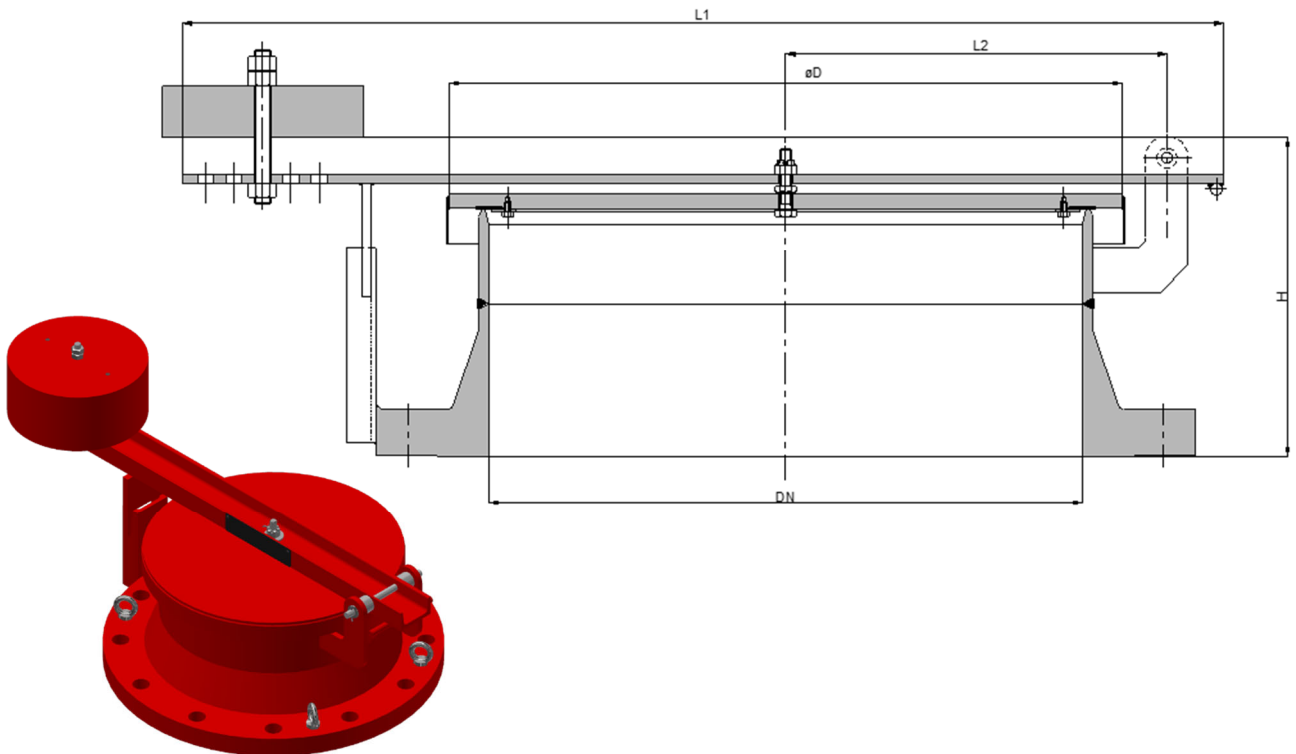
### KITO® EV/o-...



#### Application

As emergency venting device for installation on storage tanks with a VRV to protect against hazardous excess pressure but minimize the loss of gas/vapours. Also suitable as replacement of a manhole. This device does not protect against the hazard of explosion or stabilized burning.

#### Dimensions (mm)



DIN	DN		D	H (DIN)	H (ASME)	H (API)	L1	L2	kg (DIN)	kg (ASME)	Kg (API)
	ASME	API									
100 PN 16	4"	-	155	159	183	-	350	98	9	11	-
150 PN 16	6"	-	205	162	197	-	450	126	15	17	-
200 PN 10	8"	-	255	181	221	-	550	162	23	29	-
250 PN 10	10"	-	310	187	221	-	650	192	31	39	-
300 PN 10	12"	-	370	187	233	-	750	219	38	57	-
350 PN 10	14"	-	400	197	256	-	750	236	50	73	-
400 PN 10	16"	-	460	239	294	-	900	274	68	98	-
450 PN 10	18"	-	510	239	307	-	1000	300	78	112	-
500 PN 10	20"	20"	560	242	311	311	1100	327	91	135	89
600 PN 10	24"	24"	670	256	328	328	1200	375	119	181	115

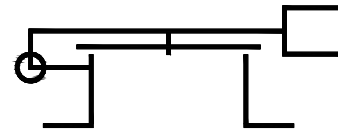
Indicated weights are understood without weight load and refer to the standard design

#### Example for order

**KITO® EV/o-20" ASME**  
(design with flange connection 20" ASME B 16.5 Class 150)

**Without EC certificate and CE-marking**

**Type sheet**  
**Pressure relief valve**  
**KITO® EV/o-...**



**Design**

	variant I	variant II
housing / valve seat edge	steel, stainless steel mat. no.1.4301	stainless steel mat. no.1.4301
valve pallet	steel	stainless steel mat. no.1.4301
lever	steel	stainless steel mat. no.1.4301
load weight	steel	stainless steel mat. no.1.4301
valve sealing	NBR, PTFE, EPDM (optionally)	
setting	5-100 mbar	
bolt	stainless steel	
protective hood (option)	galvanized steel	
flange connection	EN 1092-1 Typ type B1, ASME B16.5 Class 150 RF, API standard 650 (optionally)	

**Performance curves**

The flow capacity V [Nm<sup>3</sup>/min] refers to a density of air with  $\rho = 1.29 \text{ kg/m}^3$ . When the set pressure is reached, the valve starts to open and reaches full lift within 20% overpressure. If the allowable overpressure is less 20%, please consult der factory for the corrected volume flow.

