

Large inner height, simply press cables in



Version E | Series E16 | "easy" design, split crossbar along the outer radius
Version Z | Series Z16 | "easy" design, split crossbar along the inner radius

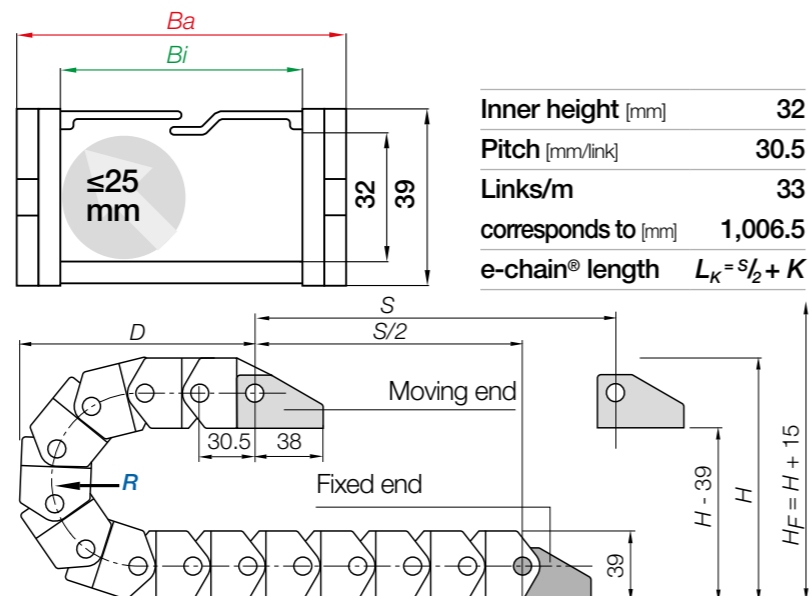
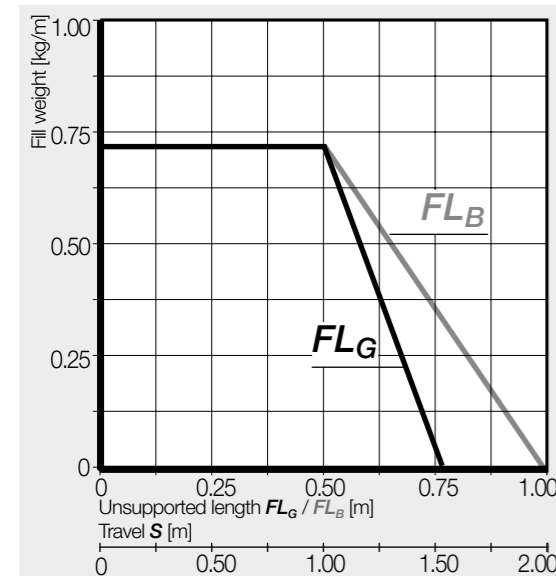
Part No. Version E	Part No. Version Z	Bi [mm]	Ba [mm]	R Available bend radii [mm]	Weight [kg/m]
E16.2.R.0 ¹⁾	Z16.2.R.0	23	37.5	040 060 075 100 -	≈ 0.51
E16.3.R.0	Z16.3.R.0 ¹⁾	36	50.5	040 060 075 100 125	≈ 0.57
E16.4.R.0	Z16.4.R.0 ¹⁾	48	62.5	040 060 075 100 -	≈ 0.62
E16.5.R.0	Z16.5.R.0	63	78.5	040 060 075 100 -	≈ 0.75
E16.6.R.0	Z16.6.R.0 ¹⁾	80	95.5	- 060 075 100 -	≈ 0.83
E16.7.R.0	Z16.7.R.0	100	115.3	- 060 075 100 125	≈ 0.91

Special solution with opening gap 3mm: Part No. E16.2.100.0.N3 / Z16.2.075.0.N3

1) Radius 040 only available for these widths

Complete Part No. with required radius (R). Example: E16.1.100.0

Installation dimensions

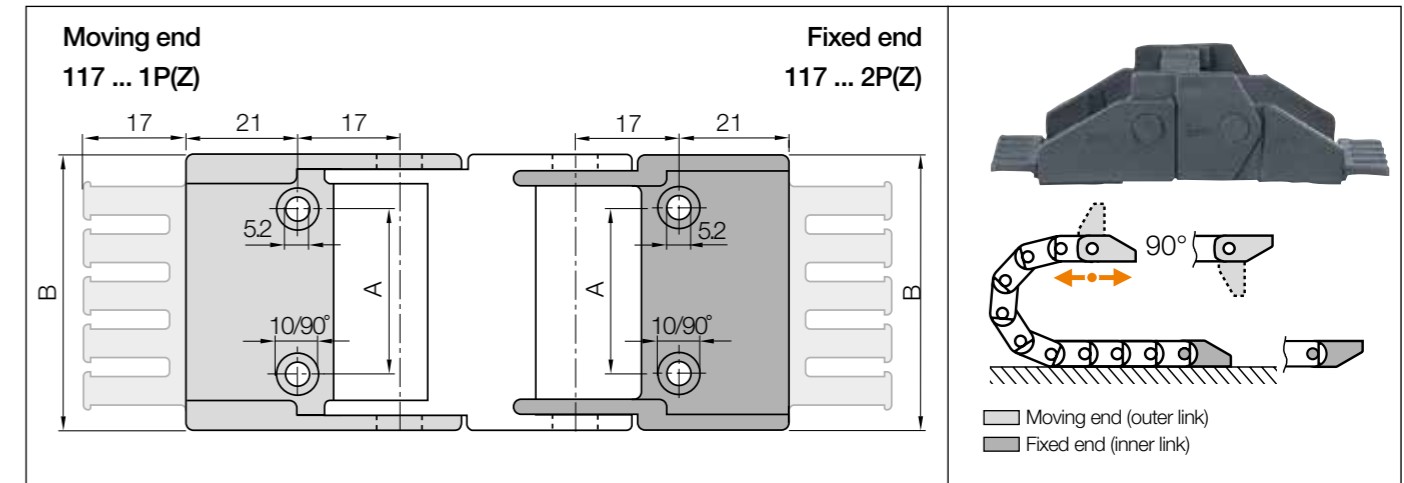


R	040 ¹⁾	060	075	100	125
H	119	159	189	239	289
D	105	125	140	165	190
K	190	250	300	380	455

The required clearance height: $H_F = H + 15\text{ mm}$ (with 0.3kg/m fill weight)

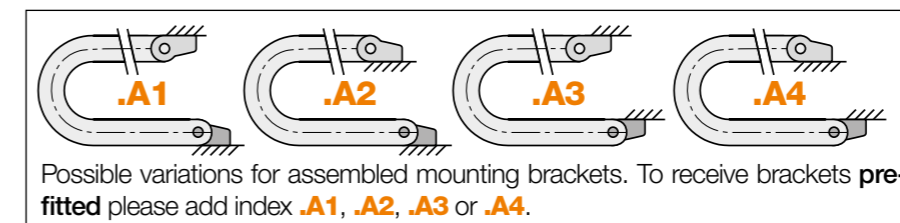
1) Radius 040 only available for E16.2 / Z16.3 / Z16.4 / Z16.5

Mounting brackets, polymer one-piece | Locking



Width index	Part No. full set with tiewrap plates	Part No. full set without tiewrap plates	A [mm]	B [mm]	Number of teeth
2. ►	117.2.12PZ	117.2.12P	12	35.5	3
3. ►	117.3.12PZ	117.3.12P	25	48.5	4
4. ►	117.4.12PZ	117.4.12P	37	60.5	5
5. ►	117.5.12PZ	117.5.12P	48	76.0	6
6. ►	117.6.12PZ	117.6.12P	65	93.0	8
7. ►	117.7.12PZ	117.7.12P	85	113.0	10

Material mounting bracket - igumid G, temperature: -40° up to +120°C, VDE 0304 IIC UL94-HB



117.2.12PZ.A1 Order example
.A... to indicate option with brackets pre-fitted
With integrated strain relief tiewrap plates
Full set
Series