



E2.1

The strong all-rounder, easy to open



Advantages of the E2.1 series:

- More useable interior space with inner heights of 26, 38 and 48mm while the outer height is the same as the E2/000 e-chains®
- Easy to open - openable along the inner and outer radius, from both sides (left or right)
- Greater strength for unsupported applications
- Longer service life for gliding applications
- Integrated grid for interior separation in 2.5mm steps
- Cable-friendly due to smooth interior
- Quiet operation due to integrated brake
- igus® e-chain® opener for rapid opening in seconds, available for series E2.38
- Complete interior separation range



When to use another e-chain® series:

- When a light, cost-effective e-chain®/e-tube with higher dynamics is needed ► **E4.1L**, from page 538
- When even higher strength is required ► **E4.1L**, from page 538
- For very simple applications with fast filling ► **easy chain®**, from page 212

Universal connection:
many mounting options
with or without strain relief

Easy to open:
openable along the inner
and outer radius, from
both sides (left or right)

Cable-friendly:
very smooth
contours ensure
the longest
cable life

Economical:
E2.1 is lighter and
offers more inner
height than the E2/000
system with the same
outer dimensions

Quiet operation:
integrated brake
reduces noise

Long service life:
due to integrated
gliding surfaces even
on long travels

High strength:
large pin/bore and
crossbar with high
locking force

The strong all-rounder, easy to open - E2.1

The proven e-chain system® E2/000 has been the worldwide standard in machinery since the year 2000. Continuous improvements over many years have now been combined in the new generation E2.1 and a new standard has been set. More usable filling space with the same outer dimensions and lower noise with increased service life and strength.

- More useable interior space while the outer height is the same as the E2/000 e-chains®
- Easy to open - openable along the inner and outer radius, from both sides (left or right)
- Quiet operation due to optimised brake
- Greater strength for unsupported applications
- Longer service life for gliding applications
- Integrated positional system 2.5mm
- Complete interior separation range

Typical industries and applications

- Machine tools ● Wood processing machines
- General mechanical engineering and all other areas



Open 1m e-chain® in 2 seconds. igus® e-chain® opener for rapid opening in seconds, available for Series E2.38

 55dB(A) - value determined at the igus® test-lab, v = 2.0m/s unsupported, series E2.38.100.100.0

Series	Inner height <i>hi</i> [mm]	Inner width <i>Bi</i> [mm]	Outer width <i>Ba</i> [mm]	Outer height <i>ha</i> [mm]	Bend radius <i>R</i> [mm]	Unsupported length ≤ [m]	Page
--------	--------------------------------	-------------------------------	-------------------------------	--------------------------------	------------------------------	--------------------------	------



E2.1
crossbars openable along the inner radius, from both sides

E2i.26	26	25 - 103	42 - 120	35	048 - 250	2.25	356
E2i.38	38	50 - 150	67 - 167	50	063 - 250	2.75	362
E2i.48	48	75 - 150	97 - 172	64	075 - 300	3.00	368

More widths available upon request, please consult igus® for delivery time. Please consult igus® for delivery time.



E2.1
crossbars openable along the outer radius, from both sides

E2.26	26	25 - 103	42 - 120	35	048 - 250	2.25	356
E2.38	38	50 - 150	67 - 167	50	063 - 250	2.75	362
E2.48	48	75 - 150	97 - 172	64	075 - 300	3.00	368

More widths available upon request, please consult igus® for delivery time. Please consult igus® for delivery time.

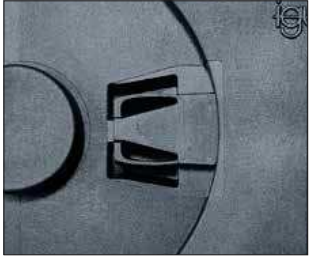


Available from stock. Ready to ship in 24 - 48hrs.*

*Average time before the ordered goods are dispatched.



More useable filling space, quiet operation due to integrated brake - the new generation E2 e-chains®



Special brake in the stop-dogs reduces noise level by up to 3 dB(A)



Crossbar with integrated grid and openable from both ends - from the top or the side with a screwdriver



Separators are secure even when e-chain® is open



Plastic-metal mounting brackets for strong connection of the e-chain® to the machine, optionally available with C-profile



Integrated gliding surfaces ensure a long service life, even for long travels



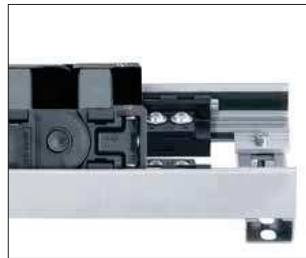
Lean separators enable extremely fast cable filling in several layers



Strain relief e.g. clamps, tie-wrap plates, nuggets, etc. ▶ From page 1392



Aluminium "SuperTrough" - the standard igus® guide trough ▶ From page 1298



Aluminium support tray for support of the lower run ▶ From page 1362

Technical data

	Speed gliding ¹⁾ / acceleration gliding ¹⁾	≤ 10 [m/s] / ≤ 50 [m/s ²]
	Speed FL_G / acceleration FL_G	≤ 20 [m/s] / ≤ 200 [m/s ²]
	Speed FL_B / acceleration FL_B	≤ 3 [m/s] / ≤ 6 [m/s ²]
	Material - permitted temperature °C, igumid G	-40°C / +120°C
	Flammability class, igumid G	VDE 0304 IIC UL94-HB

■ FL_G = unsupported with straight upper run ■ FL_B = unsupported with permitted sag

1) For openable series along the inner radius in gliding applications, please consult igus®

Installation types, maximum travels

Series	Unsupported	Gliding ¹⁾	Vertical hanging	Vertical standing	Side mounted unsupported	Rotary	Zig-zag	Unsupported length lower run
E2i.26 / E2.26	≤ 4.25m	≤ 100m	≤ 40m	≤ 3.0m	≤ 1.0m	with rework	upon request	upon request
E2i.38 / E2.38	≤ 5.5m	≤ 120m	≤ 50m	≤ 3.0m	≤ 1.0m	with rework	upon request	upon request
E2i.48 / E2.48	≤ 6.0m	≤ 150m	≤ 80m	≤ 3.0m	≤ 1.0m	with rework	upon request	upon request




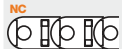


1) For openable series along the inner radius in gliding applications, please consult igus®

Reduce assembly time - E2.1 e-chain® opener




- igus® e-chain® opener for rapid opening in seconds
- Reduce opening times from 33 to 2 seconds
- Open a long e-chain® section in one go
- Part No. EO.E2.38 available for series E2.38
- More information ▶ www.igus.eu/E2.1opener



Options with order keys | Examples based on series E2i.38/E2.38

 Standard	Optional noise dampers	NC version - (No Camber) without pretension	Reverse Bend Radius (RBR) for circular movements
Part No. Standard  E2i.38.065.R.0 e-chain® openable along inner radius ¹⁾ <hr/> E2.38.065.R.0 e-chain® openable along the outer radius	Part No. Low noise (with pads)  ES2i.38.065.R.0 e-chain® openable along inner radius ¹⁾ <hr/> -	Part No. NC version  E2i.38.065.R.0.NC e-chain® openable along inner radius ¹⁾ <hr/> E2.38.065.R.0.NC e-chain® openable along the outer radius	Part No. RBR  E2i.38.065.R1/R2.0 e-chain® openable along inner radius ¹⁾ <hr/> E2.38.065.R1/R2.0 e-chain® openable along the outer radius
 Ready to ship in 24 - 48hrs.*	Ready to ship in 12 business days*	Ready to ship in 3-5 business days*	Ready to ship in 12 business days*

▲ 3) If an ESD-Version (Electro Static Discharge) from stock is required, please select a E2/000 system ► From page 374


Unsupported lengths +25% possible	ESD - electrically conductive material	Magnetically detectable plastic e-chains®
Part No. XXL material ²⁾  E2i.38.065.R.0.XXL e-chain® openable along inner radius ¹⁾ <hr/> E2.38.065.R.0.XXL e-chain® openable along the outer radius	Part No. igumid ESD ³⁾  E2i.38.065.R.0.ESD e-chain® openable along inner radius ¹⁾ <hr/> E2.38.065.R.0.ESD e-chain® openable along the outer radius	Part No. igumid DT  E2i.38.065.R.0.DT e-chain® openable along inner radius ¹⁾ <hr/> E2.38.065.R.0.DT e-chain® openable along the outer radius
Delivery time upon request*	Ready to ship in 12 business days*	Ready to ship in 20 business days*

*Average time before the ordered goods are dispatched.

1) For openable series along the inner radius in gliding applications, please consult igus®


2) Bottom part made from XXL material

Order example | Examples based on series E2.38


 Order example for complete e-chain® (1.0m), colour black, with mounting brackets and interior separation:


e-chain® (1.0m)	Please indicate e-chain® length or number of links: 1.0m or 22 links	E2.38.065.100.0
+ Mounting brackets	1 set (with tiwrap plates)	2606.34PZB
Interior separation	with 2 separators assembled every 2 nd link	2 x 38.1.1
Order text:	1m E2.38.065.100.0 + 2606.34PZB + 2 x 38.1.1	


Order key and colour examples | Examples based on series E2i.38/E2.38


 Order key

e-chains® openable along the inner radius	E2i.38.065.100.0	Order index for colour options	
e-chains® openable along the outer radius	E2.28.065.100.0	Colour	Order index
		■ Black	Standard .0
		■ Silver-grey	Special colour .31
		□ White	Special colour .1
		□ Grey-white	Special colour .1S
		■ Orange	Special colour .2
		■ Yellow	Special colour .4
		■ Light grey	Special colour .14

Series / Type: 

Width index (depends on B): 

Bend radius R: 

Colour index (standard black): 

Black e-chains® ready to ship in 24 - 48hrs.*
Above special colours upon request.

The strong all-rounder, easy to open



e-chains® Series E2i.26 | Crossbars openable along the inner radius, from both sides
 e-chains® Series E2.26 | Crossbars openable along the outer radius, from both sides

Part No. e-chains® openable along inner radius	Part No. e-chains® openable along outer radius	Bi [mm]	Ba [mm]	R Available bend radii [mm]	E2i.26 [kg/m]	E2.26 [kg/m]
E2i.26.025.R.0	E2.26.025.R.0	25	42	048 055 075 100 125 150 175 200 225 250	≈ 0.77	≈ 0.77
E2i.26.038.R.0	E2.26.038.R.0	38	55	048 055 075 100 125 150 175 200 225 250	≈ 0.84	≈ 0.84
E2i.26.057.R.0	E2.26.057.R.0	57	74	048 055 075 100 125 150 175 200 225 250	≈ 0.92	≈ 0.92
E2i.26.077.R.0	E2.26.077.R.0	77	94	048 055 075 100 125 150 175 200 225 250	≈ 0.99	≈ 0.99
E2i.26.089.R.0	E2.26.089.R.0	89	106	048 055 075 100 125 150 175 200 225 250	≈ 1.03	≈ 1.03
E2i.26.103.R.0	E2.26.103.R.0	103	120	048 055 075 100 125 150 175 200 225 250	≈ 1.10	≈ 1.10
E2i.26.125.R.0*	E2.26.125.R.0*	125	142	048 055 075 100 125 150 175 200 225 250	≈ 1.19	≈ 1.19

*Width available upon request. Please consult igus® for delivery time.

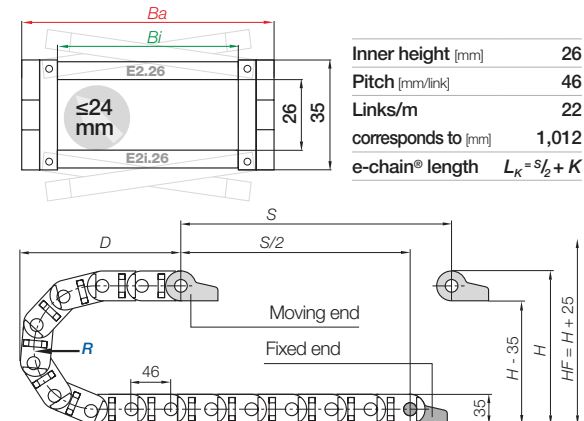
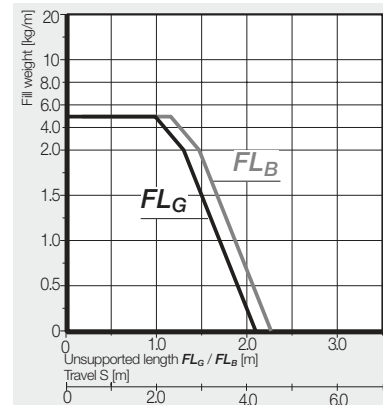
Complete Part No. with required radius (R). Example: E2.26.038.048.0

Aluminium support tray

- Corrosion-resistant and seawater-resistant aluminium rails with adjustable width
 - Noise-reducing glide strip integrated as standard
 - Easy installation and connection of the e-chain®
 - Open design - dirt and debris fall through
- More information ► From page 1362



Unsupported applications | Short travels

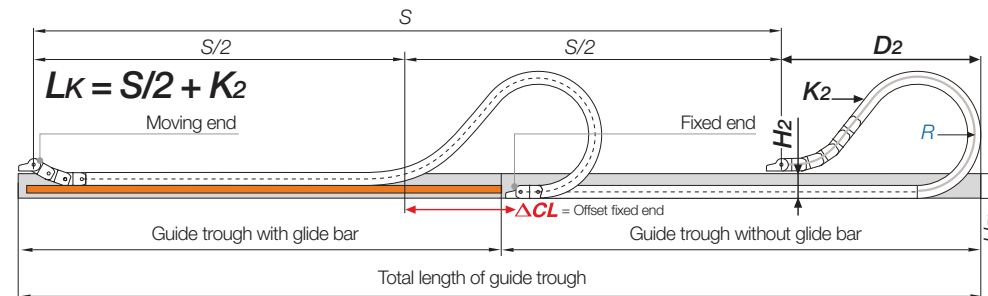


R	048	055	075	100	125	150	175	200	225	250
H	131	145	185	235	285	335	385	435	485	535
D	135	142	162	187	212	237	262	287	312	337
K	245	265	330	410	485	565	645	725	800	880

The required clearance height: $H_f = H + 25\text{mm}$ (with 1.5kg/m fill weight)

Before using series E2i.26 on long travels please consult igus®.

Gliding applications | For travel lengths from 10m to max. 100m



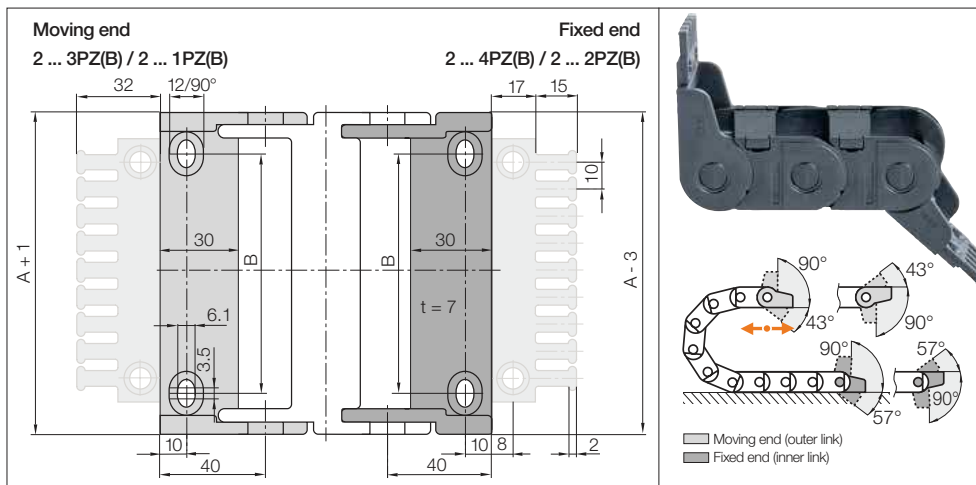
Note: Before using series E2i.26 on long travels please consult igus®.

For long travels, igus® recommends series E2.26 openable along the outer radius.

In case of travels between 4 and 10m we recommend an e-chain® with a longer unsupported length.

R	048	055	075	100	125	150	175	200	225	250
H ₂	131	110	150	100	100	100	100	100	100	100
D ₂ +25	135	145	162	380	440	590	755	950	1,040	1,130
K ₂	245	265	330	644	736	1,012	1,242	1,472	1,610	1,794
ΔACL	-	-	-	204	244	364	504	674	754	804

Before using series E2i.26 on long travels please consult igus®.

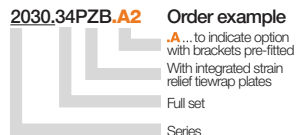
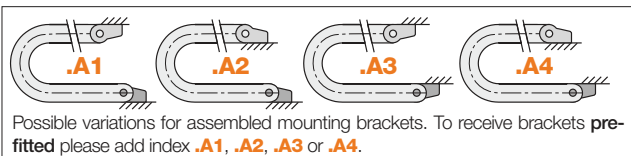


Polymer pivoting | Recommended for unsupported and gliding applications
Polymer locking | Recommended for vertical hanging and standing applications

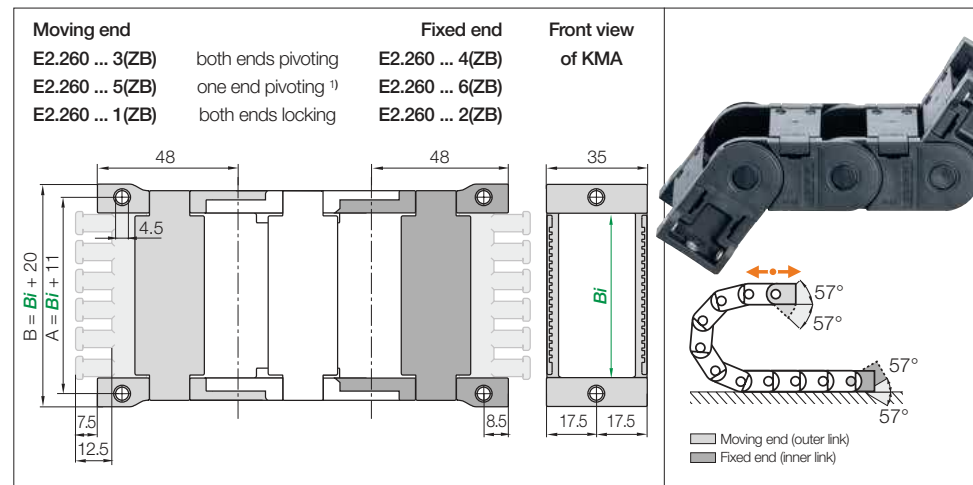
Width index	Part No. full set pivoting		Part No. full set locking		A [mm]	B [mm]	Number of teeth
	with tiwrap plates	without tiwrap plate	with tiwrap plates	without tiwrap plate			
025. ▶	2020.34PZB	2020.34PZ	2020.12PZB	2020.12PZ	41	12	3
038. ▶	2030.34PZB	2030.34PZ	2030.12PZB	2030.12PZ	54	25	4
057. ▶	2050.34PZB	2050.34PZ	2050.12PZB	2050.12PZ	73	44	6
077. ▶	2070.34PZB	2070.34PZ	2070.12PZB	2070.12PZ	93	64	8
089. ▶	2090.34PZB	2090.34PZ	2090.12PZB	2090.12PZ*	105	77	9
103. ▶	2100.34PZB	2100.34PZ	2100.12PZB	2100.12PZ*	119	90	10
125. ▶	2125.34PZB*	2125.34PZ*	2125.12PZB*	2125.12PZ*	141	112	12

*Width available upon request. Please consult igus® for delivery time.

Full set with tiwrap plate + 10 cable tiwraps, please add index **K1**. Example: 2020.34PZBK1



Strain relief e.g. clamps, tiwrap plates, nuggets and clips are available from stock. The complete chainfix range with ordering options ▶ From page 1392

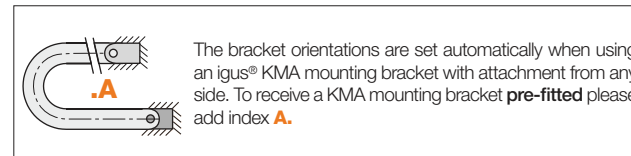


KMA pivoting | Recommended for unsupported and gliding applications
KMA locking | Recommended for vertical hanging and standing applications

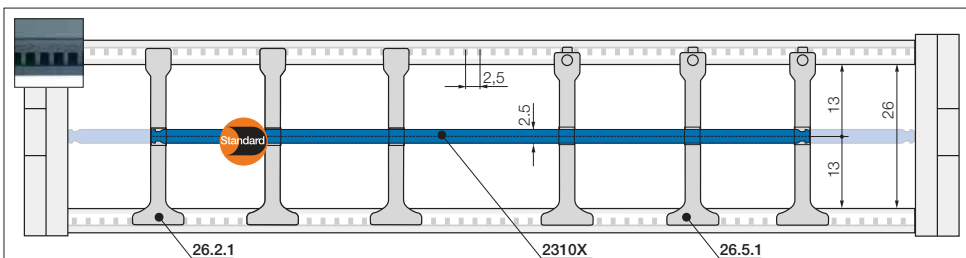
Width index	Part No. full set KMA	Part No. full set KMA	Part No. full set KMA	A [mm]	B [mm]	Bi [mm]	Number of teeth
	with tiwrap plates	with tiwrap plates	with tiwrap plates				
025. ▶	E2.260.025.34ZB	E2.260.025.56ZB	E2.260.025.12ZB	36	45	25	2
038. ▶	E2.260.038.34ZB	E2.260.038.56ZB	E2.260.038.12ZB	49	58	38	4
057. ▶	E2.260.057.34ZB	E2.260.057.56ZB	E2.260.057.12ZB	68	77	57	6
077. ▶	E2.260.077.34ZB	E2.260.077.56ZB	E2.260.077.12ZB	88	97	77	7
089. ▶	E2.260.089.34ZB	E2.260.089.56ZB	E2.260.089.12ZB	100	109	89	9
103. ▶	E2.260.103.34ZB	E2.260.103.56ZB	E2.260.103.12ZB	114	123	103	10
125. ▶	E2.260.125.34ZB*	E2.260.125.56ZB*	E2.260.125.12ZB*	136	145	125	12

*Width available upon request. Please consult igus® for delivery time. 1) One end pivoting only to the inner radius

Optional strain relief: without tiwrap plates, please state part number **without index ZB!** (KMA = plastic-metal mounting bracket)



Strain relief e.g. clamps, tiwrap plates, nuggets and clips are available from stock. The complete chainfix range with ordering options ▶ From page 1392



No lateral gap to side links necessary.

As standard separators are fitted every 2nd e-chain® link!

Separator, narrow top

unassembled	26.2
assembled	26.2.1

For even faster installation

Wide on one side for high holding force, narrow on opposite side for easy cable fitting.

Notch separator for notched crossbar

unassembled	26.5
assembled	26.5.1

Locks securely in preset increments

Notch separator for exact positioning. Recommended for side-mounted applications.

Shelf, lockable

unassembled	2300.X
assembled	2310.X

Horizontal separation

Full-width shelf locks securely into separators at both ends, giving a fixed width. Can be used as full-width or partial shelf.

Shelves Width = X [mm]	X [mm]		X [mm]		X [mm]		X [mm]	
	unassembled	assembled	unassembled	assembled	unassembled	assembled	unassembled	assembled
015	2300.015	2310.015	060	2300.060	2310.060	087	2300.087	2310.087
025	2300.025	2310.025	062	2300.062	2310.062	090	2300.090	2310.090
030	2300.030	2310.030	065	2300.065	2310.065	100	2300.100	2310.100
038	2300.038	2310.038	070	2300.070	2310.070	103	2300.103	2310.103
040	2300.040	2310.040	075	2300.075	2310.075	110	2300.110	2310.110
050	2300.050	2310.050	077	2300.077	2310.077	120	2300.120	2310.120
057	2300.057	2310.057	080	2300.080	2310.080	125	2300.125	2310.125

Separator with integrated strain relief teeth

- Can be integrated into the mounting bracket or placed at any point
 - Combines strain relief and interior separation, for restricted space conditions
 - Strain relief separator is easy to assemble without any screws
- Part No. 26.Z - more information ► From page 1424



E2.1 e-chain® with extender crossbars - guidance for hydraulic hoses

- Safe, space-saving guidance of two hydraulic hoses
 - Special solution for heavy machinery, e.g. for elevating work platforms
 - Very hose-friendly guidance due to optimised inner contours of the e-chain®.
- More information ► www.igus.eu/hydraulicchain



E2.1 e-chain® with extender crossbars, guidance for hydraulic hoses - can be fitted along supporting legs, more information ► www.igus.eu/hydraulicchain

The strong all-rounder, easy to open



e-chains® Series E2i.38 Crossbars openable along the inner radius, from both sides
 e-chains® Series E2.38 Crossbars openable along the outer radius, from both sides

Part No. e-chains® openable along inner radius	Part No. e-chains® openable along outer radius	Bi [mm]	Ba [mm]	R Available bend radii [mm]											E2.38 [kg/m]	E2i.38 [kg/m]
				063	075	100	125	150	175	200	250					
E2i.38.050.R.0	E2.38.050.R.0	50	67	063	075	100	125	150	175	200	250	≈ 1.01	≈ 1.01			
E2i.38.065.R.0	E2.38.065.R.0	65	82	063	075	100	125	150	175	200	250	≈ 1.08	≈ 1.08			
E2i.38.075.R.0	E2.38.075.R.0	75	92	063	075	100	125	150	175	200	250	≈ 1.12	≈ 1.12			
E2i.38.090.R.0	E2.38.090.R.0	90	107	063	075	100	125	150	175	200	250	≈ 1.19	≈ 1.19			
E2i.38.100.R.0	E2.38.100.R.0	100	117	063	075	100	125	150	175	200	250	≈ 1.22	≈ 1.22			
E2i.38.125.R.0	E2.38.125.R.0	125	142	063	075	100	125	150	175	200	250	≈ 1.33	≈ 1.33			
E2i.38.150.R.0	E2.38.150.R.0	150	167	063	075	100	125	150	175	200	250	≈ 1.44	≈ 1.44			
E2i.38.175.R.0	E2.38.175.R.0	175	192	063	075	100	125	150	175	200	250	≈ 1.55	≈ 1.55			

Complete Part No. with required radius (R). Example: E2.38.065.100.0

Reduce assembly time - E2.1 e-chain® opener

- igus® e-chain® opener for rapid opening in seconds
 - Reduce opening times from 33 to 2 seconds
 - Open a long e-chain® section in one go
 - Part No. EO.E2.38 available for series E2.38
- More information ► www.igus.eu/E2.1opener

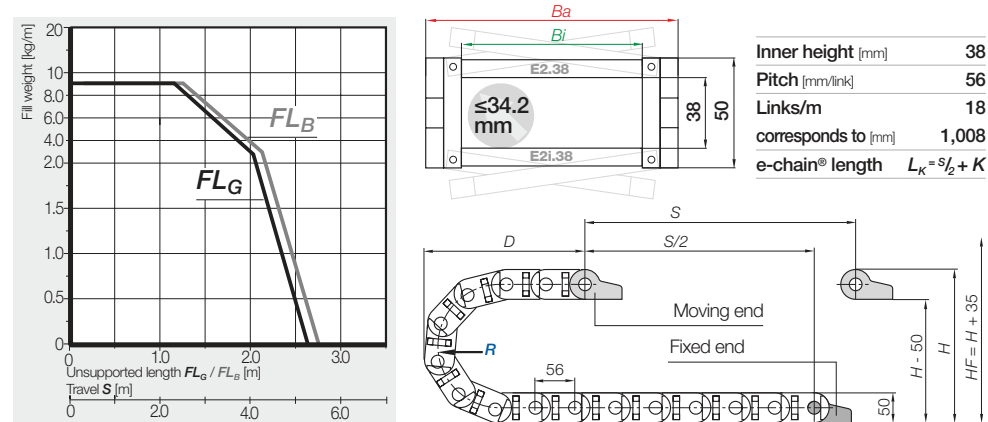


Aluminium support tray

- Corrosion-resistant and seawater-resistant aluminium rails with adjustable width
 - Noise-reducing glide strip integrated as standard
 - Easy installation and connection of the e-chain®
 - Open design - dirt and debris fall through
- More information ► From page 1362



Unsupported applications | Short travels

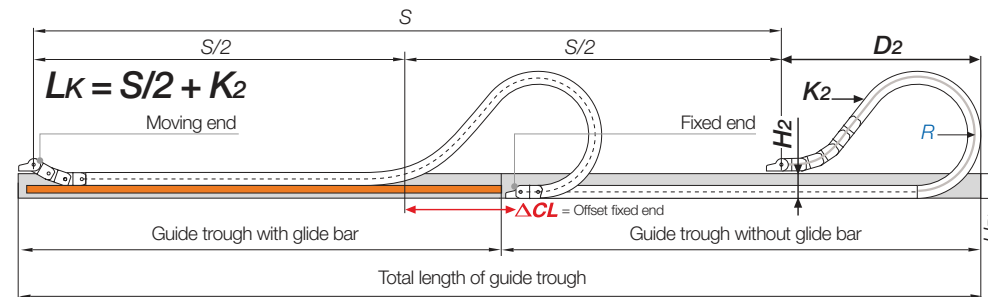


R	063	075	100	125	150	175	200	250
H	176	200	250	300	350	400	450	550
D	172	184	209	234	259	284	309	359
K	310	350	430	505	585	665	745	900

The required clearance height: $H_f = H + 35\text{mm}$ (with 2.0kg/m fill weight)

Before using series E2i.38 on long travels please consult igus®.

Gliding applications | For travel lengths 10m to max. 120m



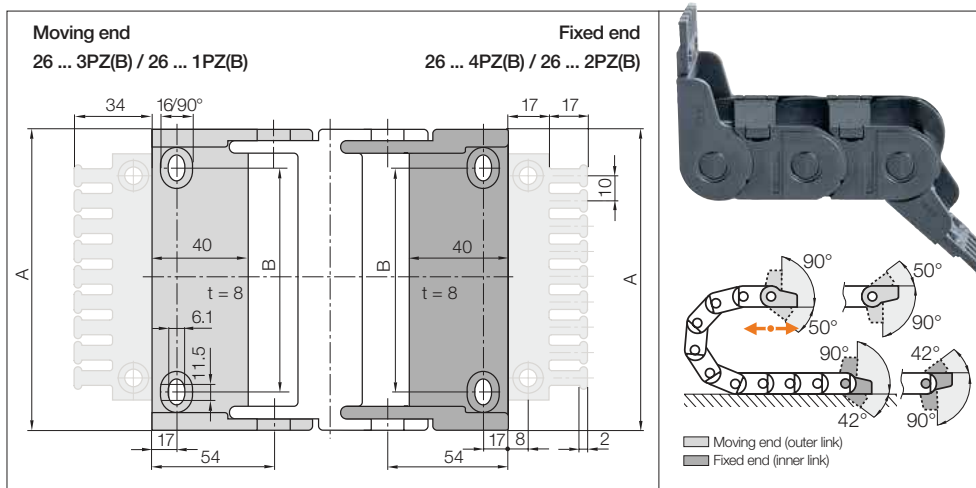
Note: Before using series E2i.38 on long travels please consult igus®.

For long travels, igus® recommends series E2.38 openable along the outer radius.

In case of travels between 5 and 10m we recommend an e-chain® with a longer unsupported length.

R	063	075	100	125	150	175	200	250
H ₂	176	200	166	166	166	166	166	166
D ₂ ⁺²⁵	172	184	395	510	545	700	805	995
K ₂	310	350	616	784	896	1,120	1,288	1,624
ΔACL	-	-	144	244	244	374	464	594

Before using series E2i.38 on long travels please consult igus®.

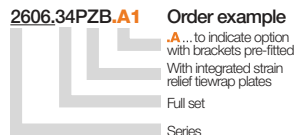
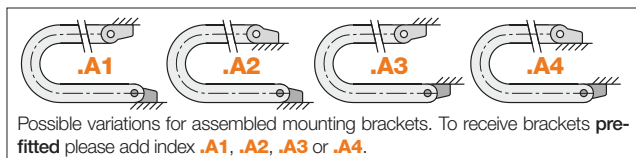


Polymer pivoting | Recommended for unsupported and gliding applications
Polymer locking | Recommended for vertical hanging and standing applications

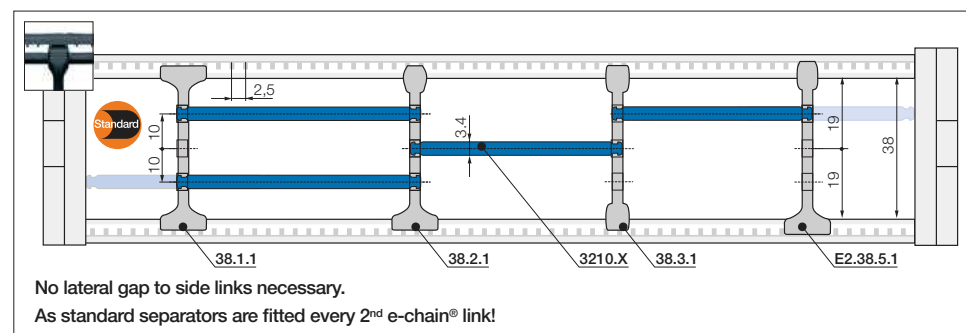
Width index	Part No. full set pivoting		Part No. full set locking		A [mm]	B [mm]	Number of teeth
	with tiwrap plates	without tiwrap plate	with tiwrap plates	without tiwrap plate			
050. ▶	2605.34PZB	2605.34PZ	2605.12PZB	2605.12PZ	68	30	5
065. ▶	2606.34PZB	2606.34PZ	2606.12PZB	2606.12PZ	83	45	5
075. ▶	2607.34PZB	2607.34PZ	2607.12PZB	2607.12PZ	93	55	7
090. ▶	2609.34PZB	2609.34PZ	2609.12PZB	2609.12PZ	108	70	9
100. ▶	2610.34PZB	2610.34PZ	2610.12PZB	2610.12PZ	118	80	10
125. ▶	2612.34PZB	2612.34PZ	2612.12PZB	2612.12PZ	143	105	12
150. ▶	2615.34PZB	2615.34PZ	2615.12PZB	2615.12PZ	168	130	15
175. ▶	2617.34PZB	2617.34PZ	2617.12PZB	2617.12PZ	193	155	17

*Width available upon request. Please consult igus® for delivery time.

Full set with tiwrap plate + 10 cable tiwraps, please add index **K1**. Example: **2606.34PZBK1**



Strain relief e.g. clamps, tiwrap plates, nuggets and clips are available from stock. The complete chainfix range with ordering options ▶ From page 1392



		3		Standard separator, wide base	un assembled 38.1 assembled 38.1.1
		4		Separator, narrow top	un assembled 38.2 assembled 38.2.1
		3		Separator, narrow	un assembled 38.3 assembled 38.3.1
		4		Notch separator for notched crossbar	un assembled E2.38.5 assembled E2.38.5.1
		X-1		Shelf, lockable	un assembled 3200.X assembled 3210.X

Standard - for any application

Separator with a wide base for maximum holding force.

For even faster installation

Wide on one side for high holding force, narrow on opposite side for easy cable fitting.

For small cables

Separator with a narrow base for a large number of small cables side by side. Saves space.

Locks securely in preset increments

Notch separator for exact positioning. Recommended for side-mounted applications.

Horizontal separation

Full-width shelf locks securely into separators at both ends, giving a fixed width. Can be used as full-width or partial shelf.

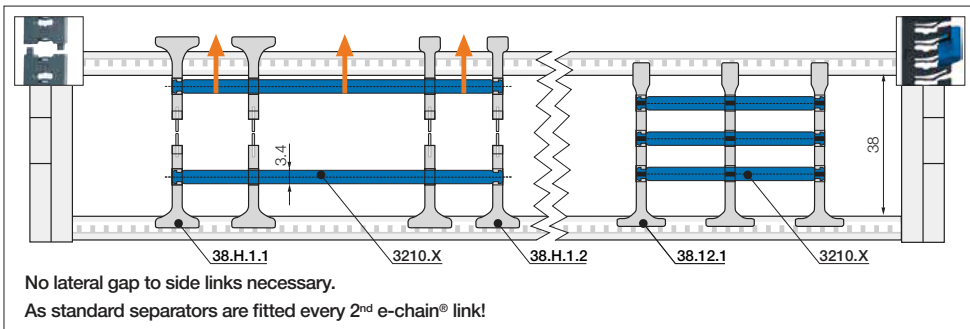
Shelves

Width = X [mm]



X [mm]	un assembled	assembled	X [mm]	un assembled	assembled	X [mm]	un assembled	assembled
050	3200.050	3210.050	125	3200.125	3210.125	225	3200.225	3210.225
075	3200.075	3210.075	150	3200.150	3210.150	250	3200.250	3210.250
100	3200.100	3210.100	175	3200.175	3210.175			
115	3200.115	3210.115	200	3200.200	3210.200			

Interior separation | To allow faster filling



		<p>Split separator, wide base/top</p> <p>unassembled 38.H.1</p> <p>assembled 38.H.1.1</p>
		<p>Split separator, narrow top</p> <p>unassembled 38.H.2</p> <p>assembled 38.H.2.1</p>
		<p>Lean separator¹⁾</p> <p>unassembled 38.12</p> <p>assembled 38.12.1</p>

Split separators

In order to fill e-chains® more easily and effectively, these separators can be split in the middle. This allows easier access to middle shelf partitions. Fast assembly and easy retrofit. 2 types available: with wide or narrow top.

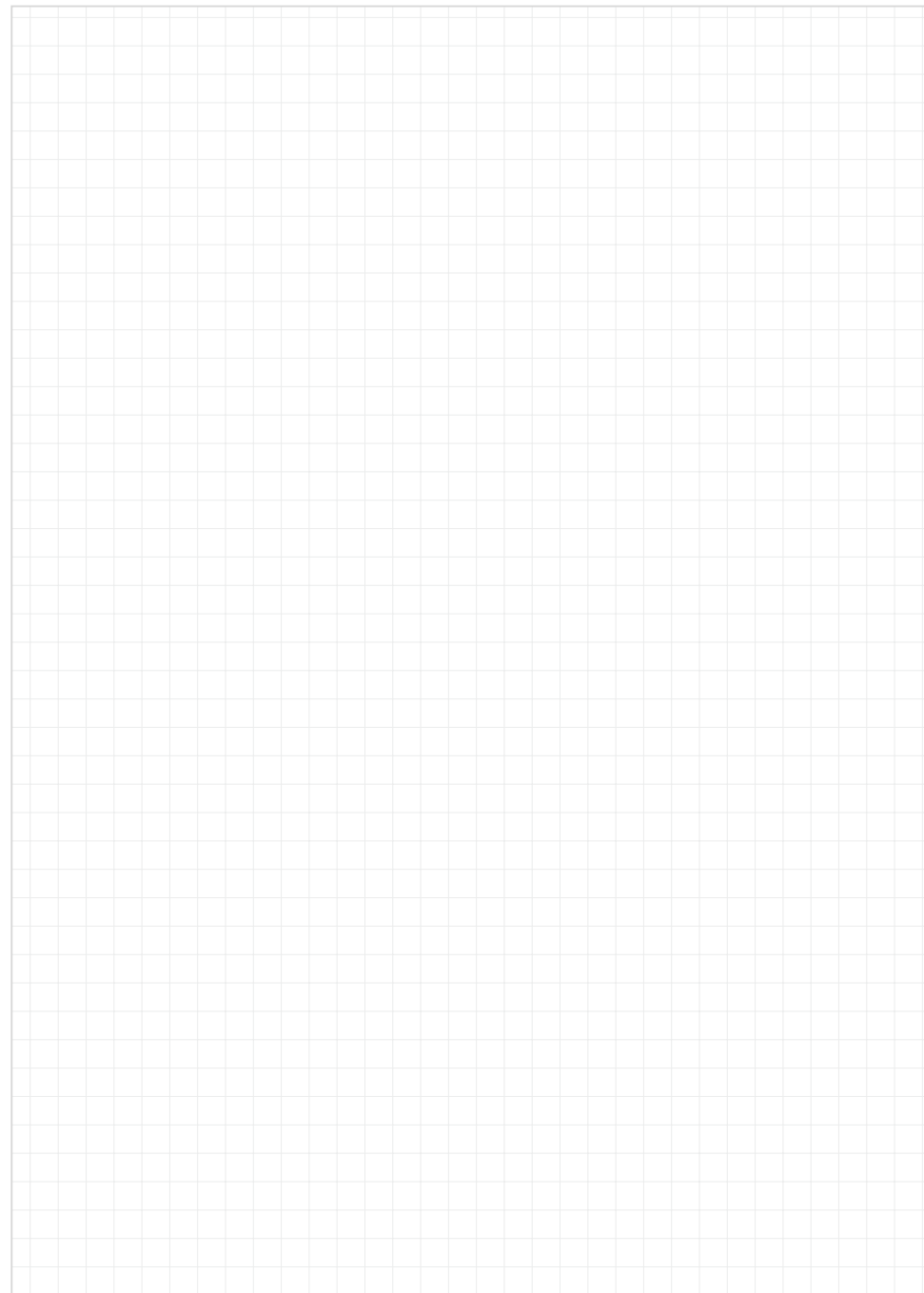
Lean separators¹⁾

For quick fitting of shelves in several layers.

1) Note: Please combine maximum 4 lean separators with one shelf. Not suitable for side-mounted e-chains®!

With the lean separator you can quickly insert several layers of cables into the e-chain® and reduce the installation time by up to 50%²⁾.

²⁾ Lean interior separation vs. Standard separator - measured on a 4m long e-chain® fitted with 12 cables in the igus® readychain® factory



The strong all-rounder, easy to open



e-chains® Series E2i.48 Crossbars openable along the inner radius, from both sides
 e-chains® Series E2.48 Crossbars openable along the outer radius, from both sides

Part No. e-chains® openable along inner radius	Part No. e-chains® openable along outer radius	Bi [mm]	Ba [mm]	R Available bend radii [mm]	E2.48 [kg/m]	E2i.48 [kg/m]
E2i.48.050.R.0*	E2.48.050.R.0*	50	72	075 100 125 150 175 200 250 300	≈ 1.77	≈ 1.77
E2i.48.075.R.0	E2.48.075.R.0	75	97	075 100 125 150 175 200 250 300	≈ 1.86	≈ 1.86
E2i.48.100.R.0	E2.48.100.R.0	100	122	075 100 125 150 175 200 250 300	≈ 2.00	≈ 2.00
E2i.48.115.R.0	E2.48.115.R.0	115	137	075 100 125 150 175 200 250 300	≈ 2.06	≈ 2.06
E2i.48.125.R.0*	E2.48.125.R.0*	125	147	075 100 125 150 175 200 250 300	≈ 2.12	≈ 2.12
E2i.48.150.R.0	E2.48.150.R.0	150	172	075 100 125 150 175 200 250 300	≈ 2.24	≈ 2.24
E2i.48.175.R.0	E2.48.175.R.0	175	197	075 100 125 150 175 200 250 300	≈ 2.36	≈ 2.36
E2i.48.200.R.0*	E2.48.200.R.0*	200	222	075 100 125 150 175 200 250 300	≈ 2.48	≈ 2.48
E2i.48.225.R.0*	E2.48.225.R.0*	225	247	075 100 125 150 175 200 250 300	≈ 2.60	≈ 2.60
E2i.48.250.R.0*	E2.48.250.R.0*	250	272	075 100 125 150 175 200 250 300	≈ 2.72	≈ 2.72

*Width available upon request. Please consult igus® for delivery time.

Complete Part No. with required radius (R). Example: E2.48.075.075.0

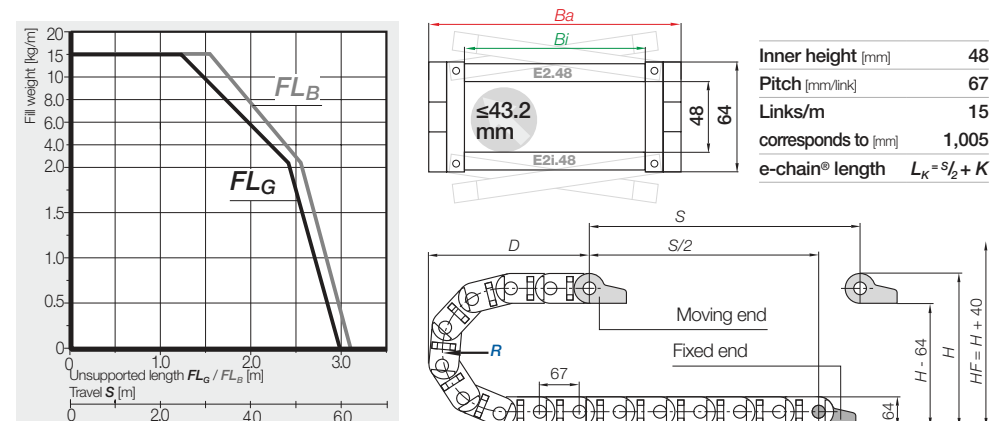
Steel support tray for support of the lower run

- Simple one-piece support trays for the lower run
- To your requirements and specification
- 4 options available

More information ► From page 1356



Unsupported applications | Short travels

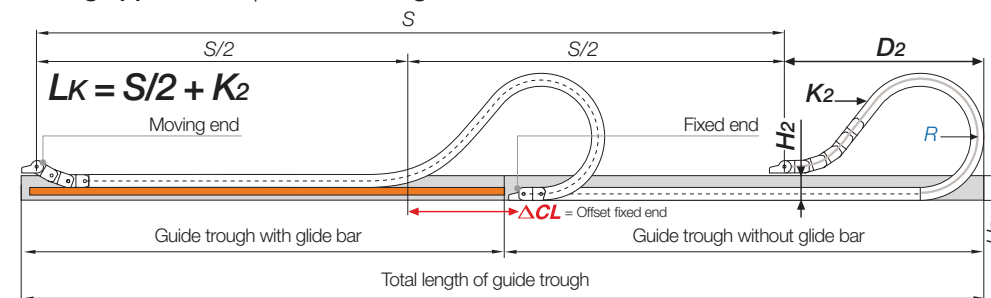


R	075	100	125	150	175	200	250	300
H	214	264	314	364	414	464	564	664
D	208	233	258	283	308	333	383	433
K	370	450	530	610	685	765	920	1,080

The required clearance height: $H_F = H + 40\text{mm}$ (with 2.5kg/m fill weight)

Before using series E2i.48 on long travels please consult igus®.

Gliding applications | For travel lengths 10m to max. 150m



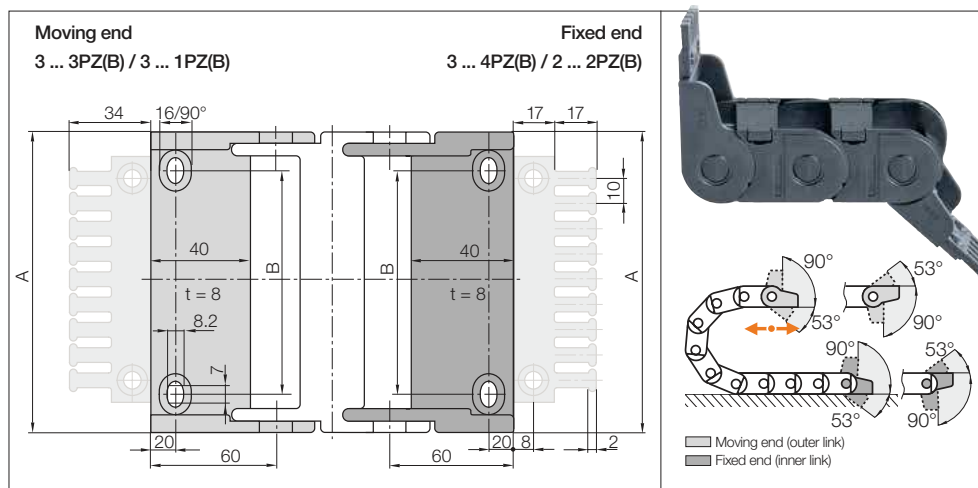
Note: Before using series E2i.48 on long travels please consult igus®.

For long travels, igus® recommends series E2.48 openable along the outer radius.

In case of travels between 6 and 10m we recommend an e-chain® with a longer unsupported length.

R	075	100	125	150	175	200	250	300
H ₂	214	264	186	186	186	186	186	186
D ₂ ⁺²⁵	208	233	475	570	725	780	1,010	1,150
K ₂	370	450	804	1,005	1,072	1,340	1,675	1,943
ΔACL	-	-	233	303	433	463	643	733

Before using series E2i.48 on long travels please consult igus®.

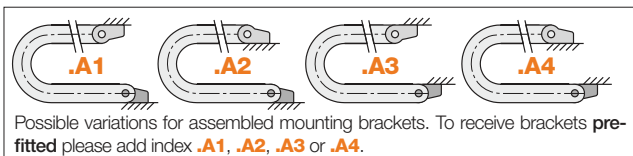


Polymer pivoting | Recommended for unsupported and gliding applications
Polymer locking | Recommended for vertical hanging and standing applications

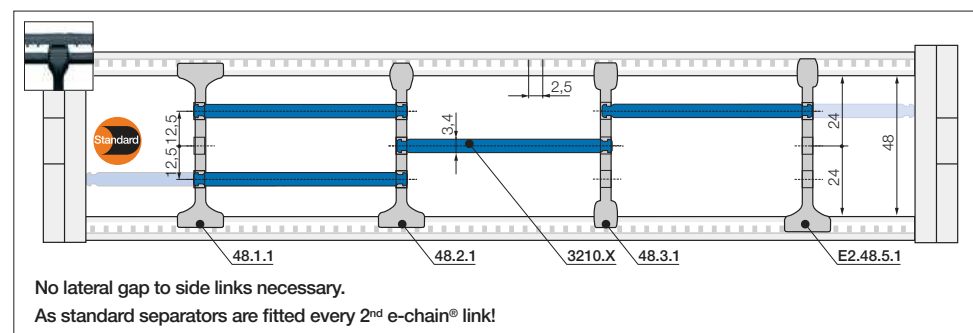
Width index	Part No. full set pivoting		Part No. full set locking		A [mm]	B [mm]	Number of teeth
	with tiwrap plates	without tiwrap plate	with tiwrap plates	without tiwrap plate			
050	3050.34PZB*	3050.34PZ*	3050.12PZB*	3050.12PZ*	71	28	5
075	3075.34PZB	3075.34PZ	3075.12PZB	3075.12PZ	96	53	7
100	3100.34PZB	3100.34PZ	3100.12PZB	3100.12PZ	121	78	10
115	3115.34PZB	3115.34PZ	3115.12PZB	3115.12PZ	136	93	11
125	3125.34PZB*	3125.34PZ*	3125.12PZB*	3125.12PZ*	146	103	12
150	3150.34PZB	3150.34PZ	3150.12PZB	3150.12PZ	171	128	15
175	3175.34PZB	3175.34PZ	3175.12PZB	3175.12PZ	196	153	17
200	3200.34PZB*	3200.34PZ*	3200.12PZB*	3200.12PZ*	221	178	20
225	3225.34PZB*	3225.34PZ*	3225.12PZB*	3225.12PZ*	246	203	22
250	3250.34PZB*	3250.34PZ*	3250.12PZB*	3250.12PZ*	271	228	25

*Width available upon request. Please consult igus® for delivery time.

Full set with tiwrap plate + 10 cable tiwraps, please add index **K1**. Example: **3275.34PZBK1**



3075.34PZB.A2 Order example
 .A... to indicate option with brackets pre-fitted
 With integrated strain relief tiwrap plates
 Full set
 Series



Standard separator, wide base

unassembled **48.1**
 assembled **48.1.1**

Standard - for any application
 Separator with a wide base for maximum holding force.

Separator, narrow top

unassembled **48.2**
 assembled **48.2.1**

For even faster installation
 Wide on one side for high holding force, narrow on opposite side for easy cable fitting.

Separator, narrow

unassembled **48.3**
 assembled **48.3.1**

For small cables
 Separator with a narrow base for a large number of small cables side by side. Saves space.

Notch separator for notched crossbar

unassembled **E2.48.5**
 assembled **E2.48.5.1**

Locks securely in preset increments
 Notch separator for exact positioning. Recommended for side-mounted applications.

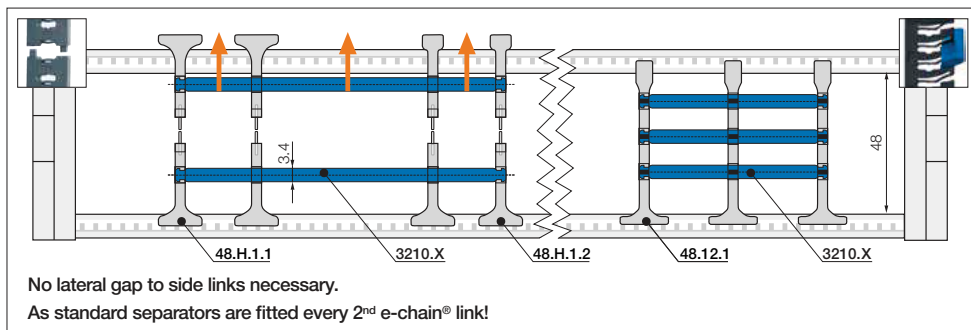
Shelf, lockable

unassembled **3200.X**
 assembled **3210.X**

Horizontal separation
 Full-width shelf locks securely into separators at both ends, giving a fixed width. Can be used as full-width or partial shelf.

Shelves Width = X [mm]	X [mm]		X [mm]		X [mm]			
	unassembled	assembled	unassembled	assembled	unassembled	assembled		
050	3200.050	3210.050	125	3200.125	3210.125	225	3200.225	3210.225
075	3200.075	3210.075	150	3200.150	3210.150	250	3200.250	3210.250
100	3200.100	3210.100	175	3200.175	3210.175			
115	3200.115	3210.115	200	3200.200	3210.200			

Interior separation | To allow faster filling



	<p>Split separator, wide base/top</p> <p>unassembled 48.H.1</p> <p>assembled 48.H.1.1</p>
	<p>Split separator, narrow top</p> <p>unassembled 48.H.2</p> <p>assembled 48.H.2.1</p>
	<p>Lean separator¹⁾</p> <p>unassembled 48.12</p> <p>assembled 48.12.1</p>

Split separators

In order to fill e-chains® more easily and effectively, these separators can be split in the middle. This allows easier access to middle shelf partitions. Fast assembly and easy retrofit. 2 types available: with wide or narrow top.

Lean separators¹⁾

For quick fitting of shelves in several layers.

1) Note: Please combine maximum 4 lean separators with one shelf. Not suitable for side-mounted e-chains®!

With the lean separator you can quickly insert several layers of cables into the e-chain® and reduce the installation time by up to 50%²⁾.

²⁾ Lean interior separation vs. Standard separator - measured on a 4m long e-chain® fitted with 12 cables in the igus® readychain® factory



CFU strain relief with innovative honeycomb design

- Fast filling, openable from both sides for assembly in seconds
- Flexible honeycomb design for increased holding force
- Tribologically optimised honeycomb design for the best hold
- Universal use, compact, space-saving design

More information ► From page 1422



Crossbar with integrated grid and openable from both ends - from the top or the side with a screwdriver