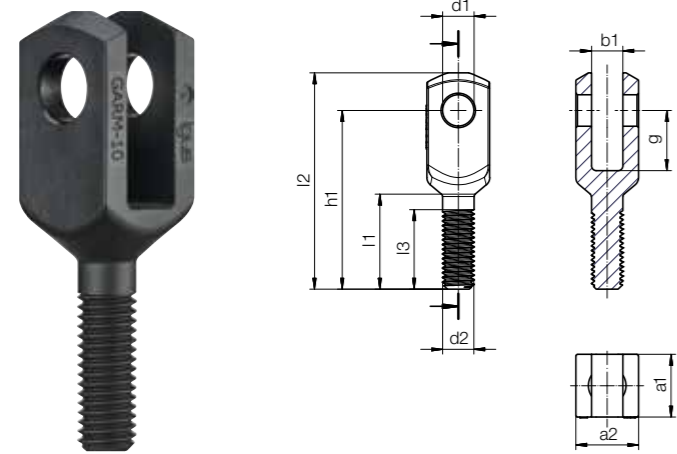


Clevis joints with male thread:
GARM-10



- Available from stock in thread size M10 (M8 and M12 in preparation)
- For direct connection to, for example, igubal® rod end bearings
- Lightweight
- Lubrication and maintenance-free
- Absolute corrosion resistance
- Available for right-hand thread (left-hand thread upon request)

Technical data

Part No.	Max. static tensile strain		Max. static axial force		Max. tightening torque	Weight
	Short-term	Long-term	Short-term	Long-term		
	[N]	[N]	[N]	[N]	[Nm]	[g]
GARM-10 New	3,000	1,500	200	100	5.0	12.5

Dimensions [mm]

Part No.	d1	g	a1	a2	b1	d2	l2	l3	h1	l1
	+0.1	h11	+0.3	+0.3	B13		±0.5	±0.3	±0.3	±0.2
			-0.16	-0.16						
GARM-10 New	10	19	20	20	10	M10	69	25	57	30.3

Order key

Type	Size [mm]
G A R M - 1 0	
Clevis joint	
Male thread	
Thread	
Metric	
Inner Ø	

Material:
igumid G ► Page 1654

Service life calculation online
► www.igus.eu/igubal-expert

Clevis joint combination:
GARMK-10



- Can be combined with:
- Safety bolt GBM-10 and circlip GSR-10 - part number GARMK-10
 - As clevis joint combination with rod end bearing EARM-10 - part number GARMKE-10
 - All igubal® parts with female thread M10

Technical data

Part No.	max. static tensile strain		Max. static axial force		Weight
	Short-term	Long-term	Short-term	Long-term	
	[N]	[N]	[N]	[N]	[g]
GARMK-10 New	3,000	1,500	200	100	10.2

Clevis joints with spring-loaded fixing clip in combination with E series rod ends, EARM ► Page 758

Order key

Type	Size [mm]
G A R M K - 1 0	
Clevis joint	
male thread	
Thread	
Metric	
With clevis pin and circlip	
Inner Ø	

Material:
igumid G ► Page 1654

Service life calculation online
► www.igus.eu/igubal-expert