

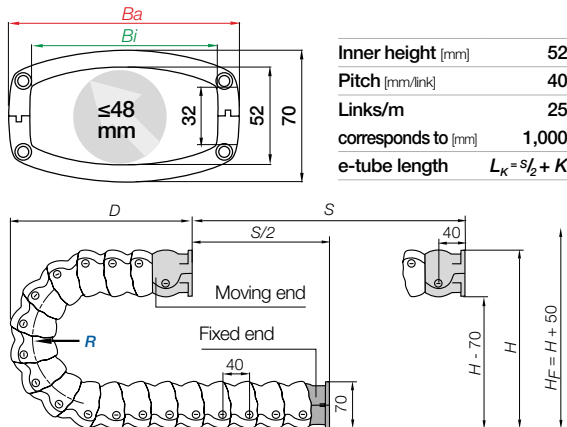
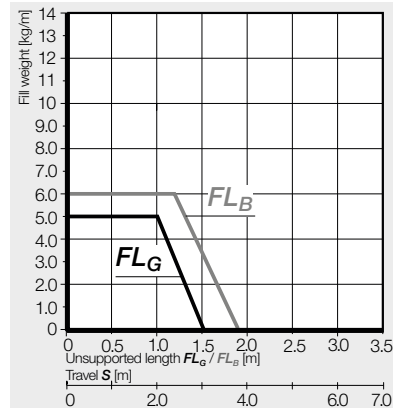


e-tubes | Series RX40 | Lids removable along the outer radius

Part No.	Bi	Ba	R	Available bend radii	RX40
e-tubes	[mm]	[mm]	[mm]		[kg/m]
RX40.100.R.0	100	123	100	125 150 175 200 225 250 275 300	≈ 1.89

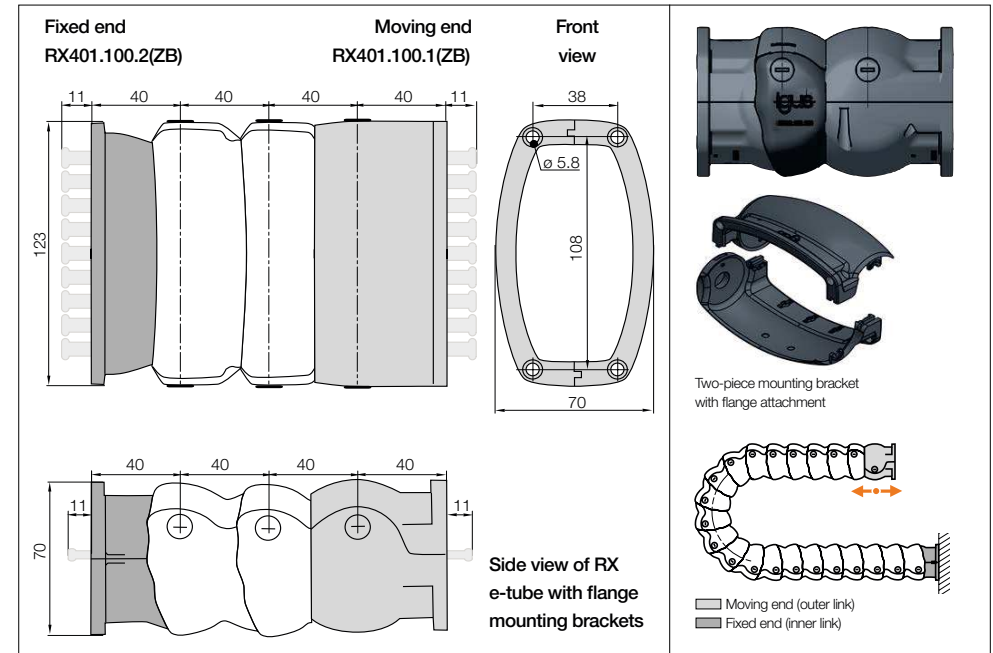
Complete Part No. with required radius (R). Example: RX40.080.080.0

Installation dimensions



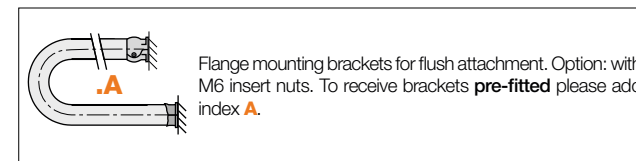
R	100	125	150	175	200	225	250	275	300
H	270	320	370	420	470	520	570	620	670
D	195	220	245	270	295	320	345	370	395
K	395	475	555	630	710	790	870	945	1,025

The required clearance height: $H_e = H + 50\text{mm}$ (with 0.5kg/m fill weight)

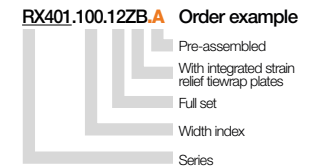


Mounting brackets, flange | Locking

Width index	Part No. full set with tie-strap plates	Part No. full set without tie-strap plates	Number of teeth
100. ▶	RX401.100.12ZB	RX401.100.12	10

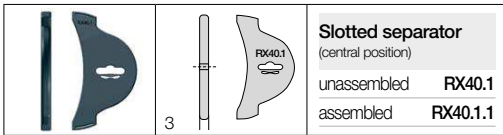
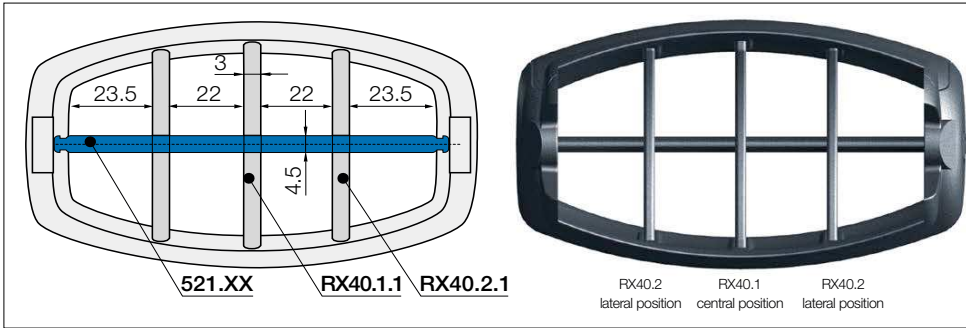


Flange mounting brackets for flush attachment. Option: with M6 insert nuts. To receive brackets pre-fitted please add index A.

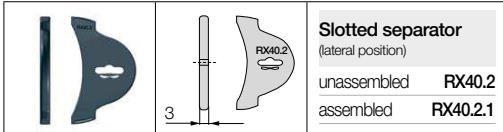


Strain relief e.g. clamps, tie-strap plates, nuggets and clips are available from stock. The complete chainfix range with ordering options ▶ From page 1392

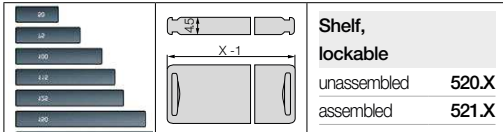
Interior separation



Slotted separator
(central position)
unassembled **RX40.1**
assembled **RX40.1.1**



Slotted separator
(lateral position)
unassembled **RX40.2**
assembled **RX40.2.1**



Shelf, lockable
unassembled **520.X**
assembled **521.X**



Shelves
Width = X [mm]

X [mm]	unassembled	assembled	X [mm]	unassembled	assembled
029	520.29	521.29	079	520.79	521.79
054	520.54	521.54	104	520.104	521.104

Vertical separation - slotted separators:

RX40.1 (central position)

RX40.2 (lateral position)

Vertical separation of the interior space using cable-friendly, polymer separators. Due to their slots, basic vertical and horizontal shelving arrangements are possible. As standard separators are fitted every 2nd e-tube link!

Horizontal separation

Full-width shelf locks securely into separators at both ends, giving a fixed width. Can be used as full-width or partial shelf.

Hot swarf up to +850°C for e-tubes

- e-tubes can repel swarf up to +850°C. Special production option with the igus® material igumid HT
 - No hot swarf melting or embedding into the chain
- More information ► www.igus.co.uk/HT



Steel support tray for support of the lower run

- Simple one-piece support trays for the lower run
 - Guides the RX e-tube safely and lets the swarf pass through easily
 - Available in different lengths
- More information ► www.igus.co.uk/RX



Strain relief block for flange mounting brackets

- Strain relief block to match cable layout
 - Fast assembly
 - Can be integrated in the RX e-tube flange mounting bracket
- More information ► www.igus.co.uk/RX40



Swarf tests at the igus® test lab prove the excellent sealing of igus® RX e-tube. Video online ► www.igus.co.uk/RX_tested