

Extremely swarf-resistant, very large size



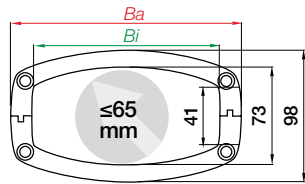
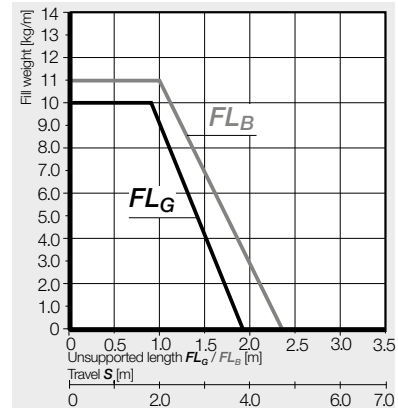
e-tubes | Series RX56 | Lids removable along the outer radius

Part No.	Bi	Ba	R	Available bend radii	RX56
e-tubes	[mm]	[mm]	[mm]		[kg/m]
RX56. 140 .R.0	140	172.2	140	175* 200* 225* 250 275* 300* 325* 350*	≈ 3.83

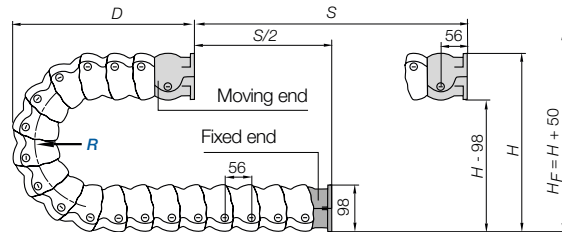
*Radius available upon request. Please consult igus® for delivery time.

Complete Part No. with required radius (R). Example: RX56.140.140.0

Installation dimensions



Inner height [mm]	73
Pitch [mm/link]	56
Links/m	18
corresponds to [mm]	1,008
e-tube length $L_k = \frac{S}{2} + K$	

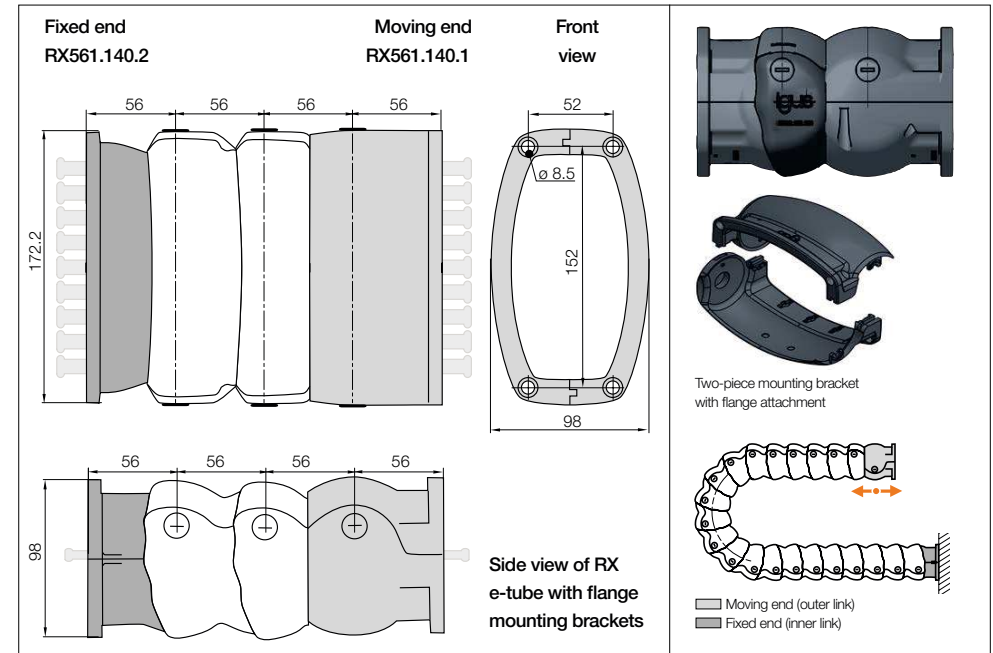


R	140	175*	200*	225*	250	275*	300*	325*	350*
H	378	448	498	548	598	648	698	748	798
D	273	308	333	358	383	408	433	458	483
K	555	665	745	820	900	980	1,055	1,135	1,215

The required clearance height: $H_e = H + 50\text{mm}$ (with 0.5kg/m fill weight)

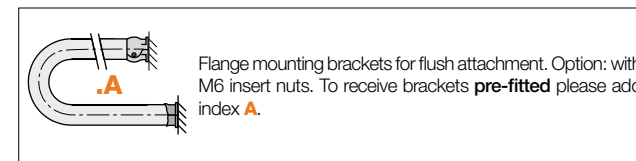
*Radius available upon request. Please consult igus® for delivery time.

Mounting brackets, flange | Polymer, two-piece | Locking



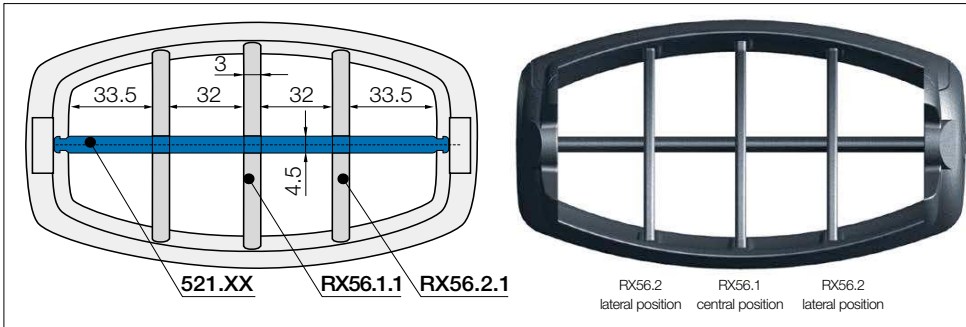
Mounting brackets, flange | Locking

Width index	Part No. full set with tiewrap plates	Part No. full set without tiewrap plates	Number of teeth
140. ▶	upon request	RX561.140.12	upon request



Strain relief e.g. clamps, tiewrap plates, nuggets and clips are available from stock. The complete chainfix range with ordering options ▶ From page 1392

Interior separation



Slotted separator
(central position)

unassembled **RX56.1**
assembled **RX56.1.1**

Slotted separator
(lateral position)

unassembled **RX56.2**
assembled **RX56.2.1**

Shelf, lockable

unassembled **520.X**
assembled **521.X**



Shelves
Width = X [mm]

X [mm]	unassembled	assembled	X [mm]	unassembled	assembled
039	520.39	521.39	109	520.109	521.109
074	520.74	521.74	144	520.144	521.144

Vertical separation - slotted separators:

RX56.1 (central position)

RX56.2 (lateral position)

Vertical separation of the interior space using cable-friendly, polymer separators. Due to their slots, basic vertical and horizontal shelving arrangements are possible. As standard separators are fitted every 2nd e-tube link!

Horizontal separation

Full-width shelf locks securely into separators at both ends, giving a fixed width. Can be used as full-width or partial shelf.

Hot swarf up to +850°C for e-tubes

- e-tubes can repel swarf up to +850°C. Special production option with the igus® material igumid HT
 - No hot swarf melting or embedding into the chain
- More information** ▶ www.igus.co.uk/HT



Steel support tray for support of the lower run

- Simple one-piece support trays for the lower run
 - Guides the RX e-tube safely and lets the swarf pass through easily
 - Available in different lengths
- More information** ▶ www.igus.co.uk/RX



Strain relief block for flange mounting brackets

- Strain relief block to match cable layout
 - Fast assembly
 - Can be integrated in the RX e-tube flange mounting bracket
- More information** ▶ www.igus.co.uk/RX56



The RX e-tube used in this compact turning machine has Reverse Bend Radius (**RBR**) and operates even with the very restricted space