

# HC

## Fittings and Accessories with pneumatic functions

- Flow regulators in technopolymer
- Flow regulators with metallic body
- Non-return valve
- Quick exhaust valves
- Blocking valve
- Miniature pressure regulator
- Line manual valve
- Silencers



### TECHNICAL CHARACTERISTICS

#### FLOW REGULATORS IN TECHNOPOLYMER

Temperature	-20 ÷ 80 °C
Fluid	compressed air, vacuum
Max pressure	15 bar
Working pressure	9 bar
Application fields	pneumatic circuits
Recommended hoses	polyamide PA 10.12, polyurethane Sh.A98 co-polyurethane Sh.55D

#### FLOW REGULATORS WITH METALLIC BODY - NON-RETURN VALVE QUICK EXHAUST VALVES - BLOCKING VALVE - MINIATURE PRESSURE REGULATOR

Temperature	0 ÷ 70 °C
Fluid	compressed air
Max pressure	10 bar
Working pressure	0,3 ÷ 10 bar

#### LINE MANUAL VALVE

Temperature	-10 ÷ 90 °C 0 ÷ 60 °C (technopolymer HC11-12)
Fluid	compressed air, vacuum
Max pressure	15 bar
Working pressure	-0,99 ÷ 10 bar

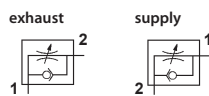
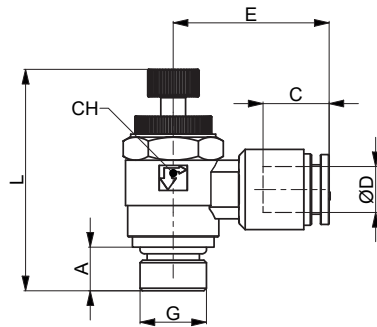
### CONSTRUCTIVE CHARACTERISTICS

#### FLOW REGULATORS IN TECHNOPOLYMER

Body	technopolymer
Fixing elements	nickel-plated brass with O-ring in NBR for parallel thread version (standard) teflon coating for taper thread version (upon request)
Clamp	stainless steel
Release ring	technopolymer

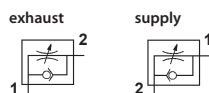
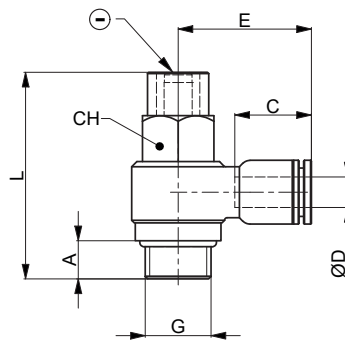
FLOW REGULATORS IN TECHNOPOLYMER

HC01/HC02 One-way banjo flow regulator



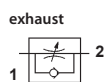
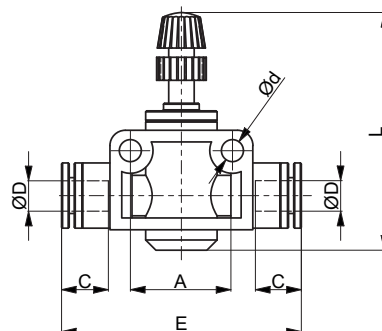
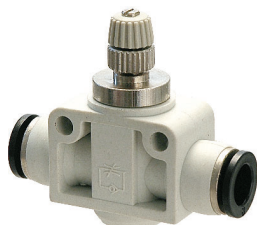
Part No.		A	C	CH	ØD	E	G	L	
exhaust	supply							Min	Max
HC0104M5	HC0204M5	3,5	14,9	8	4	20	M5	29	31,9
HC0106M5	HC0206M5	3,5	15,4	8	6	21,7	M5	29	31,9
HC010418	HC020418	7,5	14,9	10	4	22,3	G1/8	37,5	44,3
HC010618	HC020618	7,5	15,4	10	6	22,9	G1/8	37,5	44,3
HC010818	HC020818	7,5	17,3	10	8	25,3	G1/8	37,5	44,3
HC010414	HC020414	11,2	14,9	14	4	24	G1/4	43,7	51,3
HC010614	HC020614	11,2	15,4	14	6	24,9	G1/4	43,7	51,3
HC010814	HC020814	11,2	18,3	14	8	28,4	G1/4	43,7	51,3
HC011014	HC021014	11,2	20,5	14	10	32	G1/4	43,7	51,3
HC010838	HC020838	12,3	18,3	19	8	29,3	G3/8	48,4	55,3
HC011038	HC021038	12,3	20,5	19	10	32,5	G3/8	48,4	55,3
HC011238	HC021238	12,3	21,8	19	12	35,3	G3/8	48,4	55,3
HC011012	HC021012	15	20,5	24	10	35,5	G1/2	52,7	59,5
HC011212	HC021212	15	22,3	24	12	36,3	G1/2	52,7	59,5

HC01T/HC02T One-way swivel banjo flow regulator - screwdriver slot



Part No.		A	C	CH	ØD	E	G	L	
exhaust	supply							Min	Max
HC01T0418	HC02T0418	7,5	14,9	10	4	22,3	G1/8	37,5	
HC01T0618	HC02T0618	7,5	15,9	10	6	22,9	G1/8	37,5	
HC01T0818	HC02T0818	7,5	17,3	10	8	25,3	G1/8	37,5	
HC01T1018	HC02T1018	7,5	20,5	10	10	32	G1/8	37,5	
HC01T1218	HC02T1218	7,5	21,8	10	12	35,3	G1/8	37,5	
HC01T0614	HC02T0614	11,2	15,4	14	6	24,9	G1/4	43,7	
HC01T0814	HC02T0814	11,2	18,3	14	8	28,4	G1/4	43,7	
HC01T1014	HC02T1014	11,2	20,5	14	10	32	G1/4	43,7	
HC01T1214	HC02T1214	11,2	21,8	14	12	35,3	G1/4	43,7	
HC01T0638	HC02T0638	12,3	15,4	19	6	24,9	G3/8	48,4	
HC01T0838	HC02T0838	12,3	18,3	19	8	29,3	G3/8	48,4	
HC01T1038	HC02T1038	12,3	20,5	19	10	32,5	G3/8	48,4	
HC01T1238	HC02T1238	12,3	21,8	19	12	35,3	G3/8	48,4	

HC04 One-way in-line intermediate flow regulator

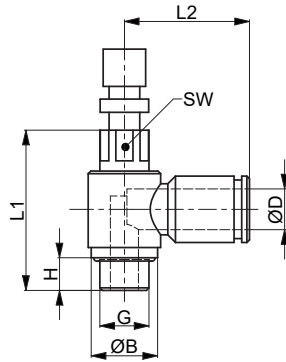


Part No.	A	C	ØD	Ød	E	L	
						Min	Max
HC040404	14	14,4	4	3,2	39,5	28	31
HC040606	20	15,5	6	4,3	47,1	40,7	47,5
HC040808	22	16,8	8	4,3	52	44,1	51,8
HC041010	26	19,5	10	4,3	62,3	47,7	55,3
HC041212	32	22,3	12	4,3	73,6	52	58

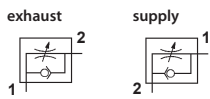
5

FLOW REGULATORS WITH METALLIC BODY

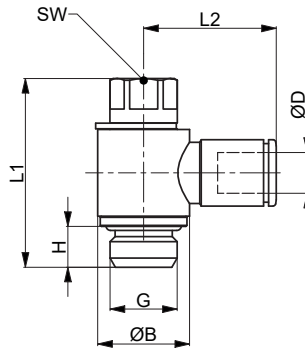
HC21/HC22 One-way banjo flow regulator



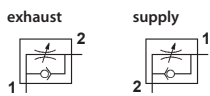
Part No.		ØB	ØD	G	H	L1	L2	SW	NI/mm*
exhaust	supply								
HC2104M5	HC2204M5	9	4	M5	4	27	20	6	45
HC210418	HC220418	13	4	G1/8	6,5	32	21	9	310
HC210618	HC220618	13	6	G1/8	6,5	32	23	9	390
HC210818	HC220818	13	8	G1/8	6,5	32	24,5	9	390
HC210614	HC220614	17	6	G1/4	8	37	24	12	710
HC210814	HC220814	17	8	G1/4	8	37	26	12	810
HC211014	HC221014	17	10	G1/4	8	37	27	12	810



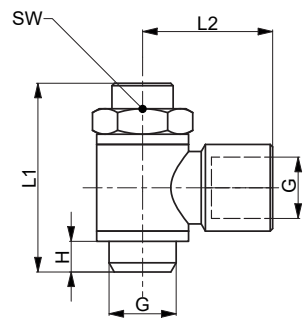
HC18/HC19 One-way banjo flow regulator - screwdriver slot



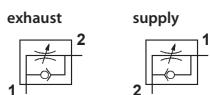
Part No.		ØB	ØD	G	H	L1	L2	SW	NI/mm*
exhaust	supply								
HC1804M5	HC1904M5	9	4	M5	4	27	20	6	45
HC180418	HC190418	13	4	G1/8	6,5	32	21	9	310
HC180618	HC190618	13	6	G1/8	6,5	32	23	9	390
HC180818	HC190818	13	8	G1/8	6,5	32	24,5	9	390
HC180614	HC190614	17	6	G1/4	8	37	24	12	710
HC180814	HC190814	17	8	G1/4	8	37	26	12	810
HC181014	HC191014	17	10	G1/4	8	37	27	12	810



HC27/HC28 One-way threaded flow regulator male/female



Part No.		G	H	L1	L2	SW	NI/mm*
exhaust	supply						
HC27M5M5	HC28M5M5	M5	4	25	11,5	8	45
HC271818	HC281818	G1/8	5	32	21	14	310
HC271414	HC281414	G1/4	6	18	25,5	14	450
HC273838	HC283838	G3/8	6	46	26	20	1040
HC271212	HC281212	G1/2	10	52,5	32	26	2200

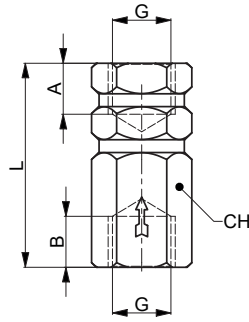


NON-RETURN VALVE

HC13 Non-return valve F-F



High temperature seals upon request

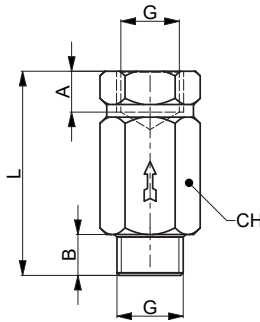


Part No.	A	B	CH	G	L
HC1300M5	6	6	10	M5	25
HC130018	7	7	13	G1/8	35
HC130014	8	8	17	G1/4	40
HC130038	12	12	20	G3/8	46
HC130012	14	14	25	G1/2	53

HC14 Non-return valve F-M

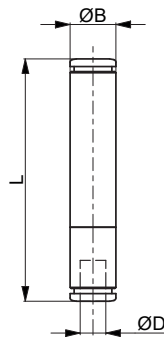


High temperature seals upon request



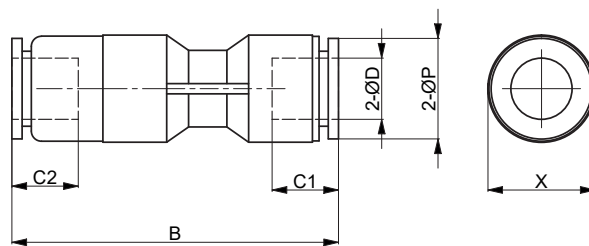
Part No.	A	B	CH	G	L
HC140018	7	7	13	G1/8	35
HC140014	8	8	17	G1/4	40

HC15 Non-return valve with push-in tube connections



Part No.	ØB	ØD	L
HC150004	9	4	47,5
HC150006	11	6	50
HC150008	13	8	53,5

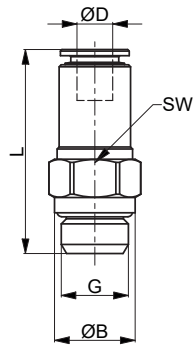
HC16 Non-return valve with push-in tube connections



Part No.	B	C1	C2	ØD	ØP	X
HC160404	50,8	15,4	14,9	4	11	10
HC160606	55,5	15,6	16	6	13	12
HC160808	58,5	18,3	18,2	8	14,8	14
HC161010	73,3	20,3	20,3	10	24,8	17
HC161212	78,7	22,7	22,7	12	24,8	20

5

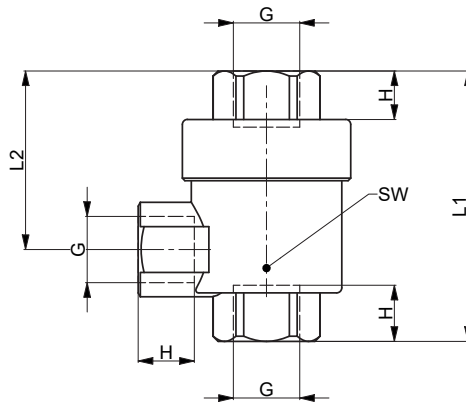
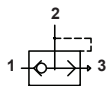
HC17 Non-return valve threaded connection



Part No.	ØB	ØD	G	L	SW
HC170418	13	4	G1/8	35	11
HC170618	13	6	G1/8	39,0	13
HC170818	13	8	G1/8	39,0	15
HC170614	16	6	G1/4	38	14
HC170814	16	8	G1/4	40	16
HC171038	20	10	G3/8	42,5	18
HC171238	20	12	G3/8	42,5	18
HC171012	25	10	G1/2	46	22
HC171212	25	12	G1/2	46	22

QUICK EXHAUST VALVES

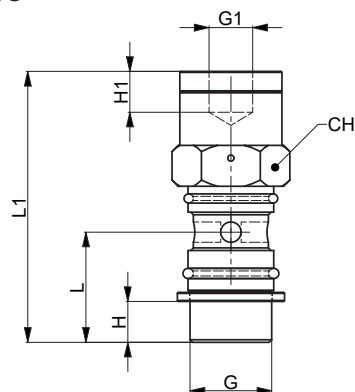
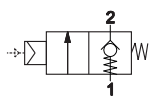
HC06 Quick exhaust valve



Part No.	G	H	L1	L2	SW	flow rate at 6 bar (NI/min)	
						1→ 2	2→ 3
HC0600M5	M5	4,5	25	16,5	10	220	300
HC060018	G1/8	8	42	2,8	14	680	1100
HC060014	G1/4	11	53	34,5	19	1200	2100
HC060038	G3/8	12	55	35,0	21	2300	4800
HC060012	G1/2	14	71	44	26	3400	6100
HC060034	G3/4	18	86	52	32	3200	8750
HC060001	G1	19	94	56	38	2900	10.750

BLOCKING VALVE

HC34 Blocking valve



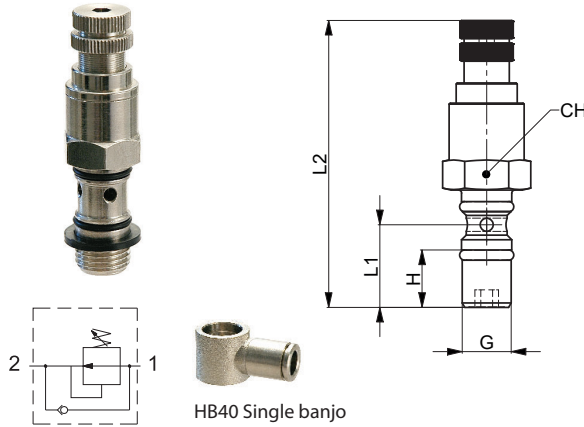
Part No.	CH	G	G1	H	H1	L	L1	flow rate at 6 bar (NI/min)
HC3418M5	15	G1/8	M5	6	6	15,5	42	400
HC3414M5	17	G1/4	M5	8	6	18,5	42	850
HC343818	20	G3/8	G1/8	8	8	22	53,5	1250



HB40 Single banjo

MINIATURE PRESSURE REGULATOR

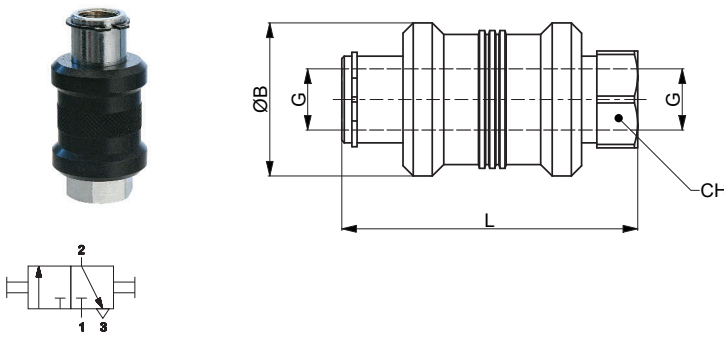
HC35 Miniature pressure regulator



Part No.	CH	G	H	L1	L2	CH	flow rate at 6 bar (NI/min)
HC350018	15	G1/8	6	15,5	56	15	340
HC350014	17	G1/4	8	18,5	63	17	580

LINE MANUAL VALVE

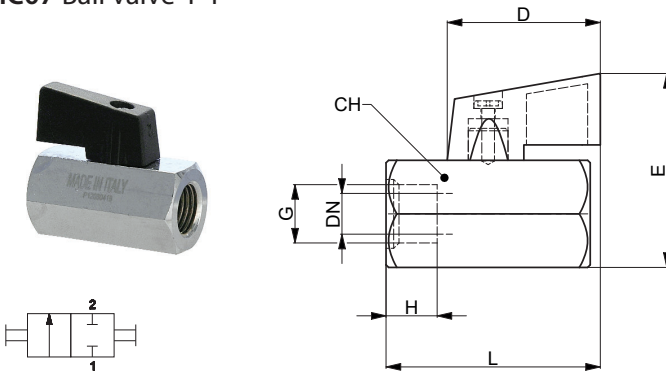
HC05 Slide valve



Part No.	ØB	CH	G	L	flow rate at 6 bar (NI/min)	
					1→2	2→3
HC0500M5	15	10	M5	33	350	690
HC050018	25	14	G1/8	48	700	1280
HC050014	30	19	G1/4	58	1500	2220
HC050038	35	22	G3/8	68	2200	3200
HC050012	40	27	G1/2	80	3400	7500
HC050034	49	32	G3/4	83	4500	8400

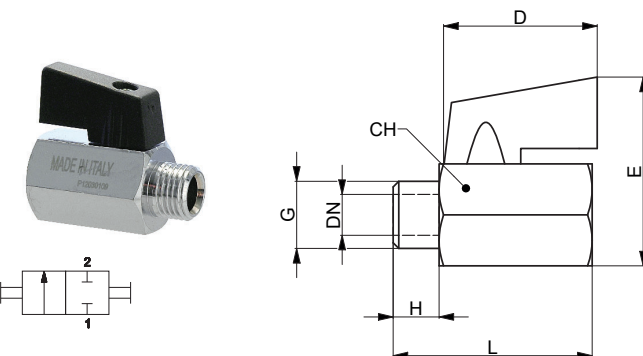
5

HC07 Ball valve F-F



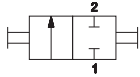
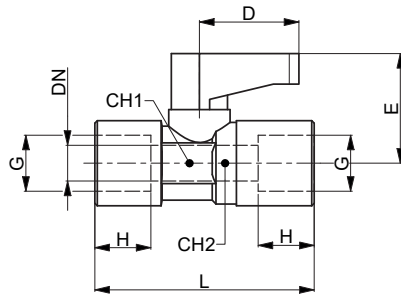
Part No.	CH	D	DN	E	G	H	L
HC070018	21	30	7	38	G1/8	10	40
HC070014	21	30	8	38	G1/4	10	40
HC070038	21	30	8	38	G3/8	10	40
HC070012	25	30	10	42	G1/2	10,5	46
HC070034	30	30	12	47	G3/4	12	54

HC08 Ball valve M-F



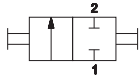
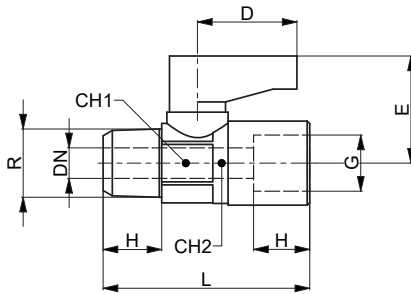
Part No.	CH	D	DN	E	G	H	L
HC080018	20	30	6	37	G1/8	9	39
HC080014	20	30	8	37	G1/4	9	39
HC080038	20	30	10	37	G3/4	10	40
HC080012	25	30	15	41,5	G1/2	12	45
HC080034	30	30	20	47	G3/4	14	51

HC09 Miniature ball valve F-F with black handle



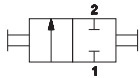
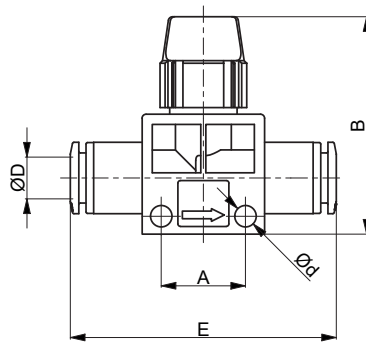
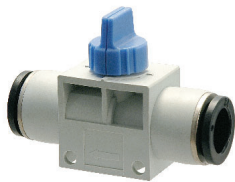
Part No.	CH1	CH2	D	DN	E	G	H	L
HC090018	14	14	19,5	5,5	21,5	G1/8	8	36,5
HC090014	14	14	19,5	5,5	21,5	G1/4	11	43

HC10 Miniature ball valve M-F with black handle



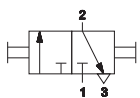
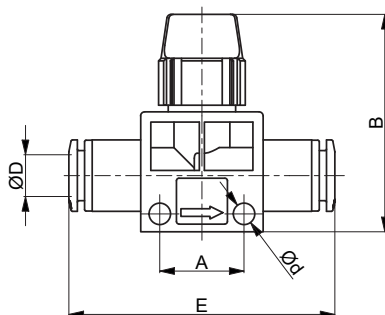
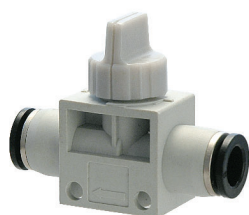
Part No.	CH1	CH2	D	DN	E	G	H	L	R
HC100018	14	14	19,5	5,5	21,5	1/8	8	35,5	G1/8
HC100014	14	14	19,5	5,5	21,5	1/4	11	40,5	G1/4
HC150038	18	18	19,5	8	23	3/8	11,5	44,5	G3/8

HC11 Manual 2/2 minivalve



Part No.	A	B	ØD	Ød	E
HC110606	16,5	42,6	6	4,2	51,1
HC110808	16,5	42,6	8	4,2	52
HC111010	21,5	47	10	4,2	63,3
HC111212	21,5	47	12	4,2	64,1

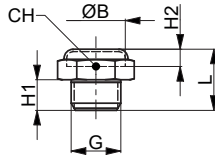
HC12 Manual 3/2 minivalve



Part No.	A	B	ØD	Ød	E
HC120606	16,5	42,6	6	4,2	51,1
HC120808	16,5	42,6	8	4,2	52
HC121010	21,5	47	10	4,2	63,3
HC121212	21,5	47	12	4,2	64,1

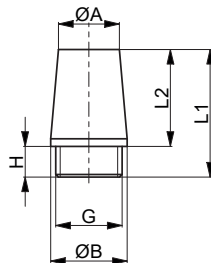
SILENCERS

HC51 Sintered bronze flat silencer



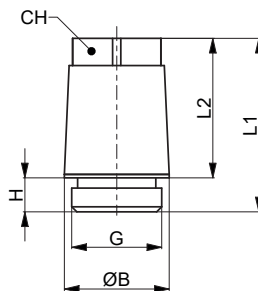
Part No.	ØB	CH	G	H1	H2	L
HC5100M5	5	8	M5	4	2,5	8
HC510018	9	13	G1/8	6	4	12
HC510014	11	16	G1/4	8	4	16
HC510038	17	19	G3/8	9	4	18
HC510012	20,5	24	G1/2	11	4	19
HC510034	28	30	G3/4	13	4	24
HC510001	34	36	G1	15	4	27
HC510112	43	52	G1 1/2	20	5	38

HC52 Sintered bronze cone silencer



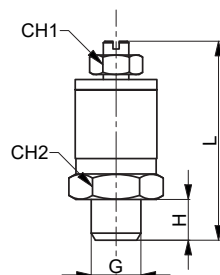
Part No.	ØA	ØB	G	H	L1	L2
HC5200M5	5	6	M5	4,5	13	8,5
HC520018	8	12	G1/8	6	21	15
HC520014	11	15	G1/4	6	25	19
HC520038	15	19	G3/8	8	36	28
HC520012	18	23	G1/2	10	43	33
HC520034	23	30	G3/4	13	53	40
HC520001	28	38	G1	15	63	48

HC53 Sintered bronze cone silencer (with square wrench head)



Part No.	ØB	CH	G	H	L1	L2
HC5300M5	12	7	M5	4	19,5	15,5
HC530018	12	7	G1/8	6	21	15
HC530014	15	8	G1/4	6	25	19
HC530038	19	10	G3/8	8	36	28
HC530012	23	14	G1/2	10	43	33
HC530034	31	20	G3/4	10	51	41
HC530001	38	20	G1	15	63	48

HC54 Silencer with exhaust flow regulator (narrow)

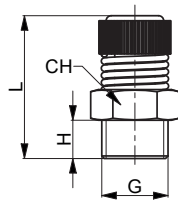


Part No.	CH1	CH2	G	H	L min	L max
HC5400M5	6	8	M5	3,5	16	21
HC540018	9	16	G1/8	8	38	44
HC540014	10	16	G1/4	9	39	45
HC540038	10	22	G3/8	10	47	60
HC540012	10	22	G1/2	11	48	61
HC540034	13	30	G3/4	12,5	68	83
HC540001	13	36	G1	11	68	92

5

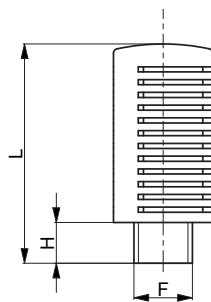


HC55 Silencer with exhaust flow regulator



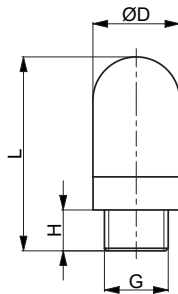
Part No.	CH	G	H	L min	L max
HC5500M5	-	-	-	-	-
HC550018	13	G1/8	6	26	28
HC550014	15	G1/4	8	30	32
HC550038	22	G3/8	10	35	38
HC550012	22	G1/2	11	36	39
HC550034	30	G3/4	12	45	50
HC550001	36	G1	12	45	50

HC56 Technopolymer dynamic silencer



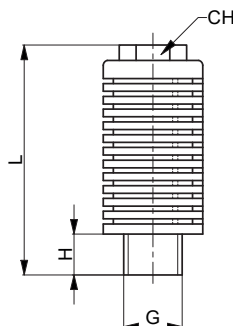
Part No.	F	L	P
HC560018	G1/8	32,5	6
HC560014	G1/4	43	8
HC560038	G3/8	58	11
HC560012	G1/2	58	11
HC560034	G3/4	115	18
HC560001	G1	115	18

HC57 Polyethylene plastic silencer



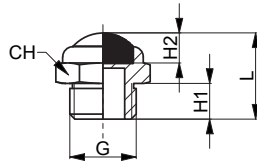
Part No.	ØD	G	H	L	NI/min*
HC5700M5	6,5	M5	4	21,5	15
HC570018	12,5	G1/8	5,5	34	50
HC570014	15,5	G1/4	8	42,5	70
HC570038	18,5	G3/8	11,5	67,5	60
HC570012	23,3	G1/2	11	77,5	70
HC570034	38,5	G3/4	16	131,5	90
HC570001	49	G1	21	161	90

HC58 Technopolymer silencer



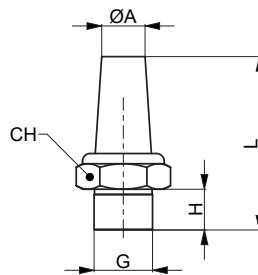
Part No.	CH	F	L	P
HC580018	10	G1/8	34	6
HC580014	12	G1/4	44	8
HC580038	17	G3/8	56	10
HC580012	17	G1/2	56	10
HC580034	-	G3/4	115	18
HC580001	-	G1	115	18

HC59 Silencer with dome-shaped steel head



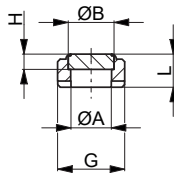
Part No.	CH	G	H1	H2	L
HC5900M5	8	M5	3,5	3	8
HC590018	13	G1/8	6	4	16
HC590014	16	G1/4	8	4	19
HC590038	19	G3/8	9	4	21
HC590012	24	G1/2	10	4	22
HC590034	30	G3/4	10	4	27
HC590001	36	G1	15	4	29

HC60 Cone silencer with hexagon nipple



Part No.	ØA	CH	G	H	L
HC6000M5	3,5	8	M5	4	17
HC600018	7,5	13	G1/8	6	26
HC600014	8,5	16	G1/4	8	34
HC600038	12	19	G3/8	8	41
HC600012	16	24	G1/2	9	45
HC600034	20	30	G3/4	10	50,5
HC600001	26,5	36	G1	10	66
HC600112	36	55	G1 1/2	20	98

HC61 Recessed silencer



Part No.	ØA	ØB	G	H	L
HC6100M5	2,9	2,6	M5	2	4
HC610018	5	6	G1/8	3	4
HC610014	8	8	G1/4	3	6,5
HC610038	9,5	10	G3/8	4	7
HC610012	12	15	G1/2	4	8
HC610034	19	20	G3/8	4	8
HC610001	23	26	G1	4	10

5