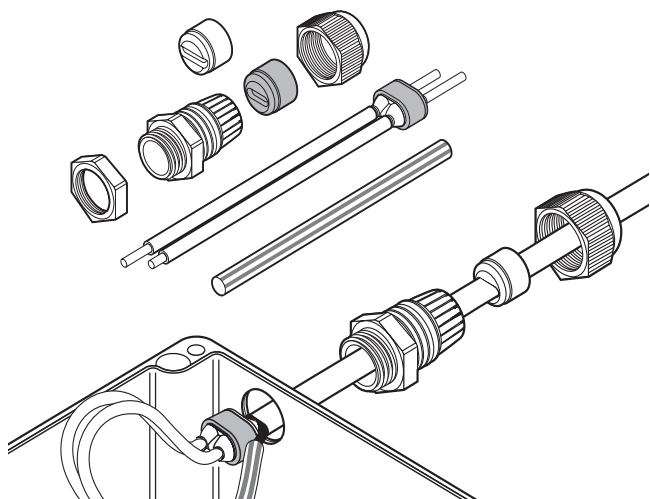


Cold Applied Connection Kit



This connection kit is designed for terminating all nVent RAYCHEM BTV, QTVR, XTV, KTV, HTV and VPL industrial parallel heating cables to a junction box, whilst maintaining electrical insulation of the heating cable conductors and core. It is approved for use in hazardous areas.

The core sealing boot does not require a heat gun or torch for the installation (no hot work permit necessary). The non-curing sealant (silicone free) allows easy installation and facilitates maintenance purposes.

Two grommets supplied in this kit enable the gland to maintain optimum sealing under various ambient conditions. An additional locknut is provided for unthreaded entries.

APPLICATION

Connection kit for BTV, QTVR, XTV, KTV, HTV and VPL parallel heating cables.

KIT CONTENTS


1 gland, 2 grommets, 1 locknut, 1 core sealer, 1 green/yellow tube,
1 installation instruction (multilingual)

APPROVALS

Baseefa16ATEX0038U  II 2 G Ex eb IIC Gb
 II 2 D Ex tb IIIC Db

IECEX BAS 16.0041U Ex eb IIC Gb
Ex tb IIIC Db


For HTV heating cable only and C25-100, the following system certificates are applicable:
PTB 21 ATEX 1003 X and IECEX PTB 21.0007X

 TC RU C-BE.MЮ62.B.00054/18
1Ex e IIC Gb X Ex tb IIIC Db X
Ta -55°C...+110°C IP66
ООО "ТехИмпорт"

DNV-GL approvals

When used with BTV, QTVR heating systems: DNV certificate number TAE00000TU

When used with XTV, KTV heating systems: DNV Certificate number TAE00000TV

 Ex e IIC Gb
Ex tD A21 IP66

PRODUCT SPECIFICATION

Area classification	Hazardous, Zone 1, Zone 2 (Gas), Zone 21, Zone 22 (Dust) Ordinary
Type	Cold applied
Thread size	M25 x 1.5
Min. ambient temperature	-55°C
Max. exposure temperature (gland)	110°C

ORDERING DETAILS

Part description	C25-100
PN (Weight)	263012-000 (0.07 kg)