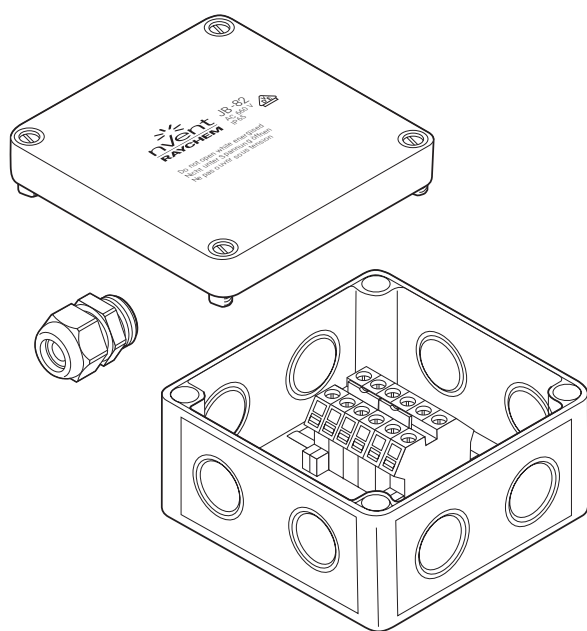


# SVORKOVNICOVÁ SKŘÍŇ JB-82



The nVent RAYCHEM JB-82 is a standard, non-hazardous polycarbonate junction box.

It may be used to make a power connection, splice, powered splice, powered tee or simple tee, for use with nVent RAYCHEM industrial parallel heating cables.

Up to four heating cables or three heating cables and the appropriate size power cable can be accommodated through the four entries and connected to the rail mounted terminals.

For pipe mounting, it is recommended that this box is used with a nVent RAYCHEM support bracket.

## ENCLOSURE

JB-82	
Area of use	Ordinary (indoors and outdoors)
Protection	IP66
Entries	4 M20/25
Exposure temperature	-35°C to +115°C
Base	Grey glass filled polycarbonate
Lid	Grey polycarbonate
Lid gasket	Foamed polyurethane

## PHASE TERMINALS

Conta-Clip RK6-10	Din rail mounted
Voltage rating	750 Vac
Max. conductor size	0.5-10 mm <sup>2</sup> (solid and stranded)
Current rating	61 A
Quantity	Two cross-connected groups of two

## EARTH TERMINALS

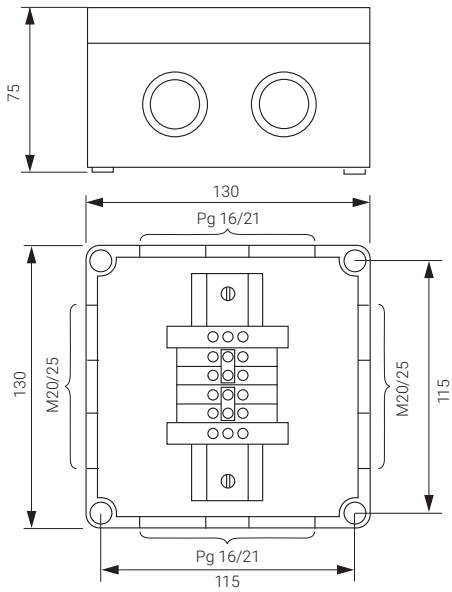
2 Conta-Clip SL10/35

## APPROVALS



(Russia, Kazakhstan, Belarus)  
For other countries contact your local nVent representative.

## DIMENSIONS (IN MM)



## MOUNTING

### JB-82

Through holes moulded in the base of the junction box

Centres 115 x 115 mm

Size 5 mm diameter

Cable gland Polyamide with locknut for cable diameters from 9 to 16 mm

## ACCESSORIES

Junction box support bracket SB-100, SB-101, SB-110, SB-111

## ORDERING DETAIL

Part description JB-82

PN (Weight) 535679-000 (0.47 kg)