

Industrial polyester junction box for use in hazardous areas. This box can be used to make connections between power cables, heating cables and cold lead cables using M20 connection kits. Depending on the configuration of the system, the box can accommodate six heating cables/cold leads and a power cable. M20 connection kits have to be ordered separately depending on the type of heating cable being used. Cable connection is accomplished via DIN rail mounted spring-type terminals.

The box can be either wall or pipe mounted via the four holes moulded in the base of the box. For pipe mounting use one of the standard support bracket.

TYPICAL USE

Power supply box, end-box, splice box (3-phase and loop), marshalling box.

ENTRIES

6 x M20
1 x M32

KIT CONTENTS

1 x junction box with terminals on DIN rail

4 x M20 stopping plugs

2 x M20 rain plug (temporary)

1 x M32 stopping plug

1 x terminal jumper allowing various wiring configurations (remove terminal plate)

APPROVALS

PTB 00 ATEX 1002

II 2G Ex edm ia [ia] IIC T6, T5 and T4

II 2D Ex tD A21 IP66 T85°C, T100°C and T135°C

IECEx PTB 08.0004

Ex e ia II, IIC T6, T5, T4

Ex tD A21 IP66 T 85°C, T 100°C, T 135°C



TC RU C-BE.ИМ43.В.01854

ООО «ТехИмпорт»

Ambient temp range: -55°C...+55°C

1Ex d e mb ia (ia) IIC T6...T4 Gb

Ex tb IIIC T85°C...T135°C Db Ta -55°C...+55°C IP66

Made in India

MATERIALS OF CONSTRUCTION

Box & lid Electrostatic charge-resistant glass-filled engineered polymer, black

Sealing gasket Silicone rubber

Lid fixing screws Stainless steel (captive)

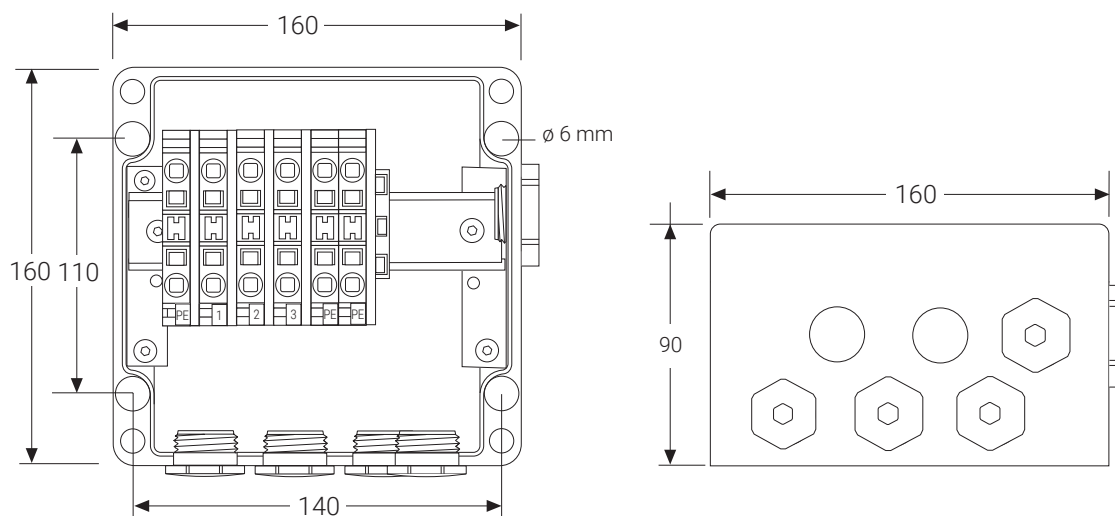
INGRESS PROTECTION

IP66

AMBIENT TEMPERATURE RANGE

-55°C to +55°C

DIMENSIONS (IN MM)



TERMINALS

| | |
|---------------------------|---------------------------------------|
| Quantity | 6 pc. |
| Type | Spring-type |
| Labeling | 1, 2, 3, 3 x PE |
| Maximum conductor size | 10 mm ² (solid & stranded) |
| Maximum operating voltage | 550 Vac |
| Maximum operating current | 53 A |

ACCESSORIES (TO BE ORDERED SEPARATELY)

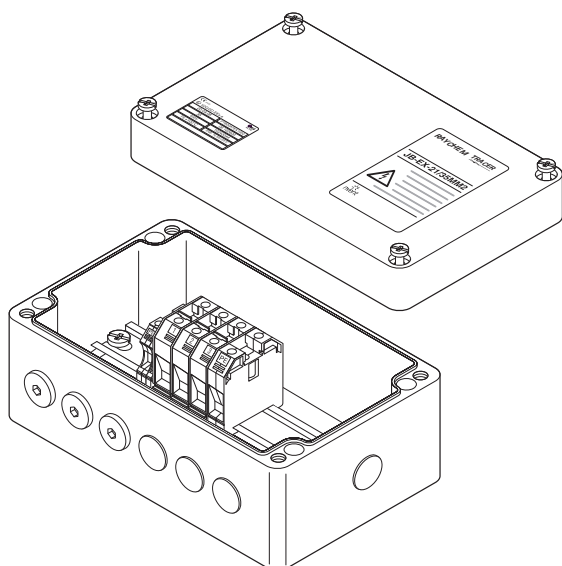
| | |
|-------------------------|---|
| Support bracket | SB-100, SB-101 |
| Gland for PI cold leads | C20-PI-PA-KIT Hazardous area approved gland, PA, up to -40°C C20-PI-M0-KIT Hazardous area approved gland, Ni plated brass, up to -55°C (to be used with boxes with integral earth plate or with earth lug) |
| Gland for MI cold leads | Contact nVent or refer to DOC-606 |
| Gland for power cable | GL-45-M32 hazardous area approved gland for cables ø 14-21mm, up to -55°C |
| Loose terminals (*) | Phase/neutral terminal: HWA-WAGO-PHASE Earth terminal: HWA-WAGO-EARTH End plate: HWA-WAGO-ENDPLATE Terminal jumper: HWA-WAGO-JUMPER |

ORDERING DETAILS

| | |
|----------------------|------------------------|
| Order reference | nVent RAYCHEM JB-EX-21 |
| Part number (Weight) | 1244-000579 (1.2 kg) |

(*) in total no more than 10 terminals should be installed.

SVORKOVNICOVÁ SKŘÍŇ JB-EX-21/35MM2



Industrial junction box for use in hazardous areas with PI and MI heating cables when large terminal sizes are required. This box can be used to make connections between power cables, heating cables and cold lead cables. Depending on the configuration of the system, the box can accommodate multiple heating cables/cold leads and a power cable.

The M20 connection kits have to be ordered separately depending on the type of heating cable being used.

Cable connection is accomplished via DIN rail mounted screw terminals from Weidmuller to provide safe, reliable and maintenance-free operation.

The box can be wall mounted via the four holes moulded in the base of the box.

TYPICAL USE

Power supply box, end-box, splice box for series heating cables (PI & MI), when using M20 connection kits. Marshalling box for power cables.

ENTRIES

6 x M20
1 x M40

KIT CONTENTS

1 x Junction box with screw terminals on DIN rail
3 x M20 stopping plugs
3 x M20 rain plugs (temporary)
1 x M40 stopping plug

APPROVALS

PTB 00 ATEX 1002

⊕ II 2G Ex edm ia [ia] IIC T6, T5 and T4
⊕ II 2D Ex tD A21 IP66 T85°C, T100°C and T135°C

IECEX PTB 08.0004

Ex e ia II, IIC T6, T5, T4
Ex tD A21 IP66 T 85°C, T 100°C, T 135°C



TC RU C-BE.ИМ43.В.01854
ООО «ТехИмпорт»
Ambient temp range: -55°C...+55°C
1Ex d e mb ia (ia) IIC T6...T4 Gb
Ex tb IIIC T85°C...T135°C Db Ta -55°C...+55°C IP66
Made in India

MATERIALS OF CONSTRUCTION

| | |
|-------------------|---|
| Box & lid | Electrostatic charge-resistant glass-filled engineered polymer, black |
| Sealing gasket | Silicone rubber |
| Lid fixing screws | Stainless steel (captive) |

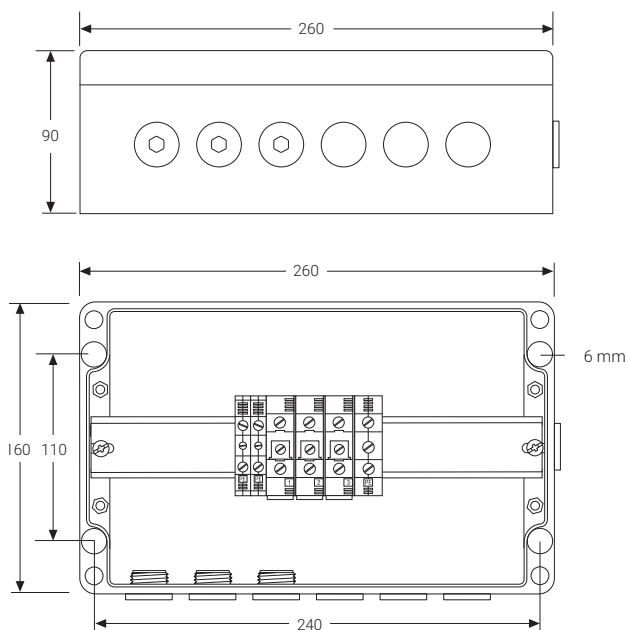
INGRESS PROTECTION

IP66

AMBIENT TEMPERATURE RANGE

-55°C to +55°C

DIMENSIONS (IN MM)



TERMINALS

| | |
|-----------------|--|
| Quantity & type | 3 pcs WDU35 screw terminals 2 pcs WPE10 earth terminals for heating cable earth leads 1 pc WPE35 earth terminal for power cable Junction box can accommodate up to 6 fully loaded phase/neutral terminals (maximum 10 terminals in total) |
|-----------------|--|

| | |
|---------------------------|--|
| Labelling | 1, 2, 3 + 3 x PE |
| Minimum conductor size | 2.5 mm ² stranded & solid |
| Maximum conductor size | 35 mm ² stranded & 16 mm ² solid |
| Maximum operating voltage | 690 Vac |
| Maximum operating current | 100 A |

ACCESSORIES (TO BE ORDERED SEPARATELY)

| | |
|--|--|
| Glands for power cables | GL-51-M40 hazardous area approved gland for cables \varnothing 19-28mm, up to -55°C GL-45-M32 hazardous area approved gland for cables \varnothing 14-21mm, up to -55°C |
| Reducer | REDUCER-M40/32-EEXE hazardous area M40 male to M32 female reducer |
| Loose terminals | 35 mm ² phase/neutral terminal: HWA-WDM-PHASE-35 10 mm ² earth terminal: HWA-WDM-EARTH-10 35 mm ² earth terminal: HWA-WDM-EARTH-35 Endplate: HWA-WDM-PLATE Terminal jumper (2): HWA-WDM-JUMPER-35-2 Terminal jumper (3): HWA-WDM-JUMPER-35-3 |
| Gland for PI cold leads | C20-PI-PA-KIT Hazardous area approved gland, PA, up to -40°C C20-PI-M0-KIT Hazardous area approved gland, Ni plated brass, up to -55°C (to be used with boxes with integral earth plate or with earth lug) |
| Insulation entry kit for PI cold leads | IEK-20-PI |
| Gland for MI cold leads | In case of factory terminated units, already present. For on-site assemblies, contact nVent or refer to DOC-606 |

ORDERING DETAILS

| | |
|----------------------|------------------------------|
| Order reference | nVent RAYCHEM JB-EX-21/35MM2 |
| Part number (Weight) | 1244-006653 (1.9 kg) |