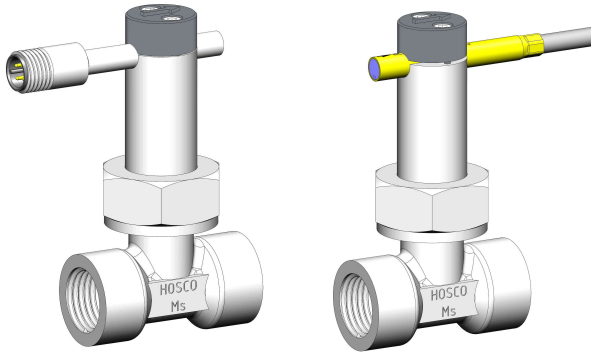


# PÁDLOVÝ HLÍDAČ PRŮTOKU UR1-...G

## Flow Switch UR1-...GM / GK / AP



- Low pressure loss
- Compact design
- Threaded connection

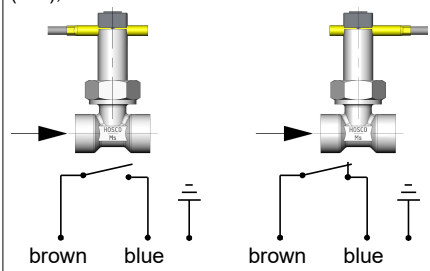
### Characteristics

The devices function via the principle of a spring-supported paddle, and the magnetic triggering of a reed switch.

### Technical data

<b>Switch</b>	reed switch	
<b>Nominal width</b>	DN 10..50	
<b>Process connections</b>	Brass stainless steel POM	female thread G3/8..G2 female thread G3/8..G2 male thread G1/2
<b>Switching range</b>	1.3..53 l/min	for details see table "Ranges"
<b>Q<sub>max.</sub></b>	to 150 l/min	
<b>Tolerance</b>	±15 % of full scale value	
<b>Pressure rating</b>	Housing brass Housing s.s. Housing POM	PN 25 PN 25 PN 10
<b>Medium temperature</b>	Brass version S.S. version with housing POM	-20..+110°C -20..+110°C -20..+ 80°C
<b>Ambient temperature</b>	-20..+70 °C	
<b>Media</b>	water (oils, gases and aggressive media available on request)	
<b>Electrical data</b>	see "UR1 brass switching unit"	
<b>Materials medium-contact</b>	<i>Brass construction:</i> CW713R nickelplated CW614N nickelplated 1.4310, 1.4301, hard ferrite, NBR	<i>Stainless steel construction:</i> 1.4305, 1.4571, 1.4310, 1.4310, hard ferrite PTFE- coated, FKM
	<i>Optional:</i> Housing made of POM G ½ male thread (PN 10)	
<b>Non-medium-contact materials</b>	see "UR1 brass switching unit"	
<b>Weight</b>	see table "Dimensions and weights"	
<b>Installation location</b>	Standard: horizontal inwards flow; switching unit not recommended underneath; other installation positions are possible; the installation position affects the switching point and switch range	

### UR1 Brass switching unit

<b>Wiring</b>	normally open (n.o.) or normally closed (n.c.), no. 0.225
	
<b>Switching voltage</b>	max. 230 V AC
<b>Switching current</b>	max. 1 A
<b>Switching capacity</b>	max. 50 VA
<b>Protection class</b>	1 - PE connection
<b>Ingress protection</b>	IP 65
<b>Electrical connection</b>	cab. 1.5 m, optionally for round plug connector M12x1, 4-pole
<b>Materials, non-medium-contact</b>	CW614N, nickelled, CW614N, NBR, POM

### Ranges

Details in the table correspond to horizontal inwards flow with decreasing flow rate.

G	DN	Switching range l/min H <sub>2</sub> O	Types	Q <sub>max.</sub> recommended
G 3/8	DN 10	2.5 - 3.5	UR.-010G.	10
G 1/2 male	DN 15	1.3 - 2.1	UR.-015AP	10
G 1/2	DN 15	4.0 - 4.5	UR.-015G.	20
G 3/4	DN 20	5.0 - 6.0	UR.-020G.	40
G 1	DN 25	9.5 - 11.5	UR.-025G.	60
G 1 1/4	DN 32	13.5 - 17.5	UR.-032G.	80
G 1 1/2	DN 40	30.0 - 38.0	UR.-040G.	100
G2	DN 50	42,0 - 53,0	UR.-050G.	150

Special ranges are available.

### Dimensions and weights

G	Types	H	L	X	Weight kg
G 3/8	UR1-010GM	82	50	10	0.35
	UR1-010GK				0.40
G 1/2 male	UR1-015AP	50	60	12	0.15
	UR1-015GM				0.35
G 1/2	UR1-015GK	50	60	12	0.40
	UR1-015GM				0.35
G 3/4	UR1-020GM	83	50	12	0.35
	UR1-020GK				0.35
G 1	UR1-025GM	87	50	12	0.40
	UR1-025GK				0.45
G 1 1/4	UR1-032GM	91	50	12	0.45
	UR1-032GK				0.50
G 1 1/2	UR1-040GM	94	50	12	0.55
	UR1-040GK				0.65
G 2	UR1-050GM	103	50	12	0.80
	UR1-050GK				0.95

# PÁDLOVÝ HLÍDAČ PRŮTOKU UR1-...G



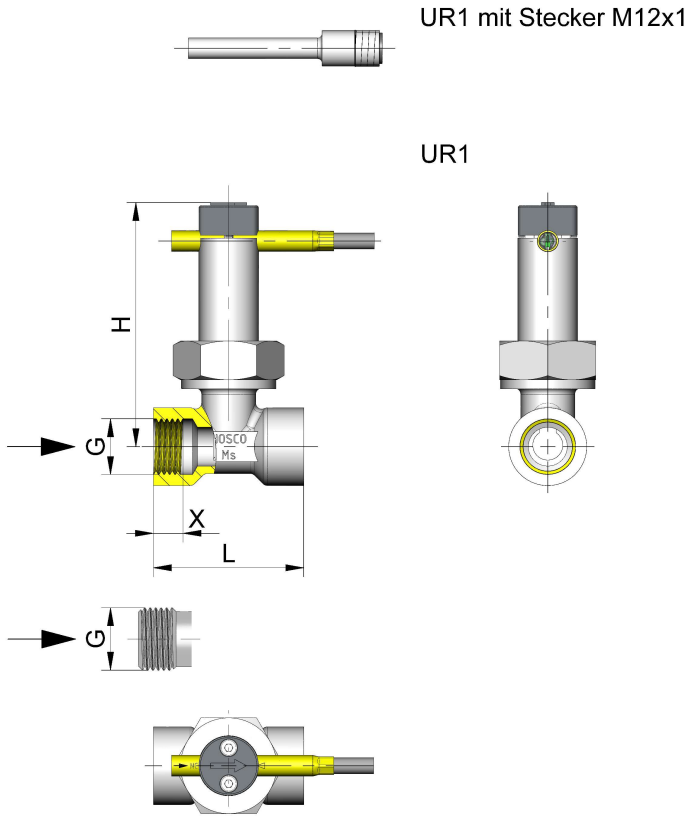
HENNlich

MERES

## Ordering code

UR -  -

○=Option



1. Switching unit			
1	brass		
2. Nominal width			
010	DN 10 - G 3/8	●	●
015	DN 15 - G 1/2	●	●
	DN 15 - G 1/2 male		●
020	DN 20 - G 3/4	●	●
025	DN 25 - G 1	●	●
032	DN 32 - G 1 1/4	●	●
040	DN 40 - G 1 1/2	●	●
050	DN 50 - G 2	●	●
3. Process connection			
G	female thread	●	●
A	male thread		●
4. Connection material			
M	brass		
K	stainless steel		
P	POM (PN 10)		
5. Switching unit options			
A	for switching unit ATEX A-U1.1 The switching head is a separate article, which needs to be ordered in addition.		
S	○ for round plug connector M12x1, 4-pole		

## Options

- Switching ranges for oil or gas
- Special switching ranges/set points
- Soldered copper fitting
- round plug connector M12x1, 4-pole
- for media temperature up to 150°C

## Ordering information

- Specify direction of flow, medium, and switching range
- For oils, state viscosity, temperature and designation (e.g. ISO VG 68) (enquire about range).
- For gases, state pressure (relative or absolute), temperature and medium (e.g. air) (ranges on request).

## Handling and operation

### Note

- Include straight calming section of 5 x DN in inlet and outlet
- Include a filter if the media are dirty (use magnetic filter for ferritic particles).
- It must be ensured that the values given for voltage, current, and power are not exceeded.
- When switched on, a load must be connected in series.
- The electrical details apply to ohmic loads. Capacitive, inductive and lamp loads must be operated using a protective circuit.

### Adjustment

Loosen the screws on the claming plate, move the contact tube to the required position, tighten the screws again.  
"Normally closed" or "normally open" acc. to the technical data table.

