

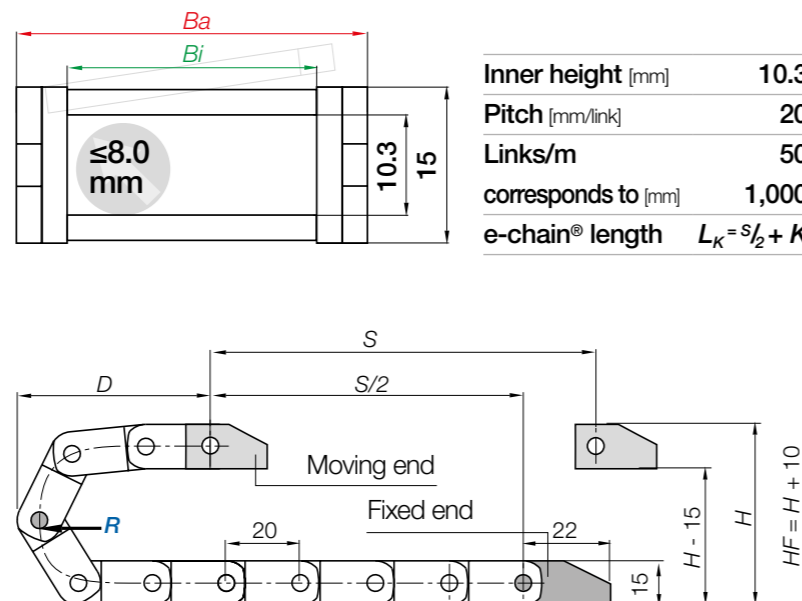
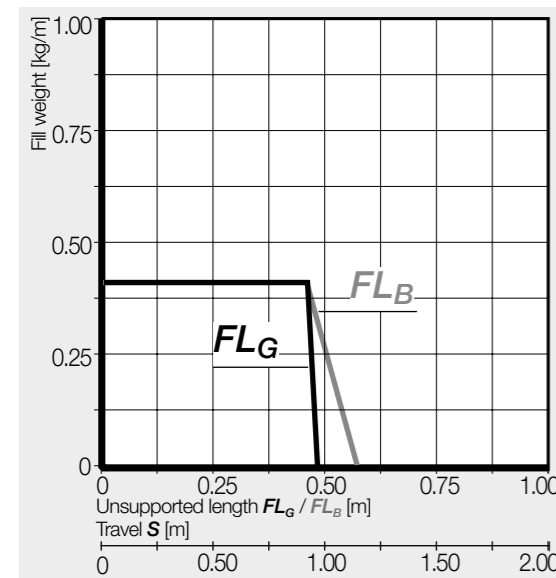


e-chains® | Series B07 | Openable along the outer radius, from one side

Part No.	Bi	Ba	R Available bend radii	Weight
e-chains®	[mm]	[mm]	[mm]	[kg/m]
B07.16.R.0	16	22.5	018 028 038	≈ 0.16
B07.20.R.0	20	27	018 028 038	≈ 0.17
B07.30.R.0	30	37	018 028 038	≈ 0.20
B07.40.R.0	40	47	018 028 038	≈ 0.23

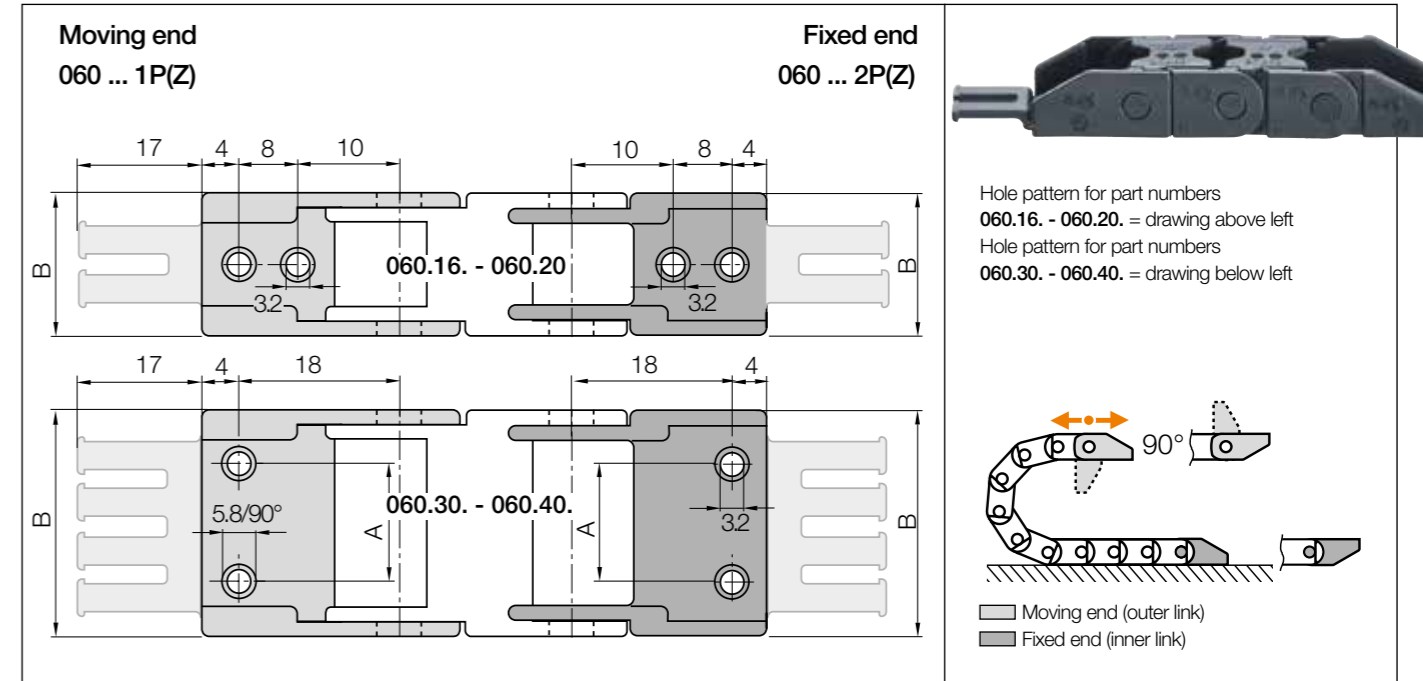
Complete Part No. with required radius (R). Example: B07.40.038.0

Installation dimensions



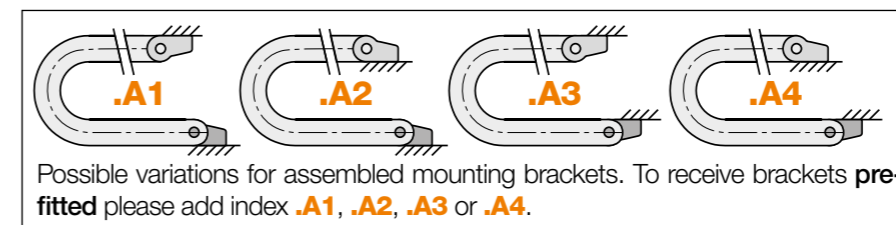
R	018	028	038
H	51	71	91
D	56	66	76
K	100	130	160

The required clearance height: $H_F = H + 10\text{mm}$ (with 0.2kg/m fill weight)



Width index	Part No. full set with tiewrap plates	Part No. full set without tiewrap plates	A [mm]	B [mm]	Number of teeth
16. ▶	060.16.12PZ	060.16.12	-	22.5	2
20. ▶	060.20.12PZ	060.20.12	-	27.0	2
30. ▶	060.30.12PZ	060.30.12	22	37.0	3
40. ▶	060.40.12PZ	060.40.12	32	47.0	4

Material mounting bracket - igumid G, temperature: -40° up to +120°C, VDE 0304 IIC UL94-HB



060.40.12PZ.A1 Order example
 .A... to indicate option with brackets pre-fitted
 With integrated strain relief tiewrap plates
 Full set
 Series