



# E2/000

## All-rounder for a wide range of applications



### Advantages of the E2/000 series:

- When a medium-sized, strong system (e-chains®, half e-tubes, completely enclosed e-tubes) is required
- For unsupported lengths up to 3.0m and fill weights up to 13kg/m
- For long travels up to 150m
- If an openable system is required to quickly open from either the left or right
- Various fastening options



### When to use another e-chain® series:

- When a stronger, light, cost-effective e-chain®/e-tube is required ▶ **E4.1L**, page 524
- For very simple applications with fast filling  
▶ **easy chain®**, page 198
- When very sealed e-tubes are required  
▶ **E2 R100 e-tube**, page 428  
▶ **E2 R e-tube**, page 454  
▶ **R2.1 e-tube**, page 478  
▶ **RX e-tube**, page 502



Universal connection:  
many mounting options  
with or without strain relief

Easy assembly:  
e-chain® links  
openable on  
left or right

High strength:  
large pin/bore and  
crossbar with high  
locking force

Long service life:  
lateral gliding  
surfaces

For long  
unsupported lengths:  
double stop-dog system


Variety of options:  
e-chains® openable  
along inner or outer  
radius from both sides,  
e-tubes and half e-tubes  
openable along inner  
radius from both sides


# The all-rounder for a wide range of applications - E2/000


Series E2/000 is the fourth generation in this size. All past experience went into this series: easy and versatile assembly combined with ruggedness - high strength paired with quieter motion - long cable life and many mounting options. The design is consistent across all E2/000 variants. It is the standard product for machinery around the world.

### Typical industries and applications

- Material handling ● Construction machinery
- Woodworking machines ● Machine tools
- Glass machines ● Plastic machines ● Long travel applications in many industries ● Semiconductors ● Theatre, entertainment and amusement parks, etc. ● Vehicles ● General machinery, etc.

 Electrically conductive ESD e-chains® - several series available from stock

 46dB(A) - level determined at the igus® test-lab, v = 1.0m/s unsupported, e.g. series 2600.05.075.0

 UL94-V0 classifications upon request



IPA Qualification Certificate - Report IG 1303-640-1:  
ISO Class 2, according to DIN EN ISO 14644-1 for System E2/000, Series 1500.050.038.0. at v = 0.5 / 1.0 / 2.0m/s



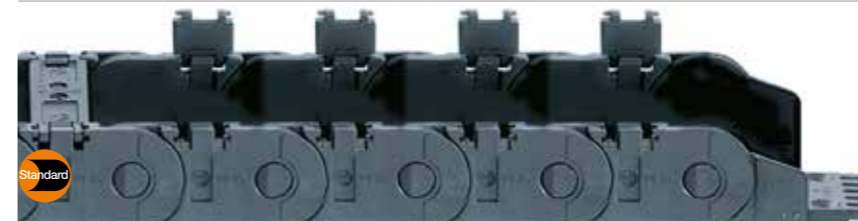
IPA Qualification Certificate - Report IG 0308-295:  
ISO Class 3, according to DIN EN ISO 14644-1 for System E2/000, Series 2500.05.055.0. at v = 2.0m/s

Series	Inner height <i>hi</i> [mm]	Inner width <i>Bi</i> [mm]	Outer width <i>Ba</i> [mm]	Outer height <i>ha</i> [mm]	Bend radius <i>R</i> [mm]	Unsupported length ≤ [m]	Page
--------	--------------------------------	-------------------------------	-------------------------------	--------------------------------	------------------------------	--------------------------	------



**E2/000 e-chains®**  
crossbars openable along the inner radius, from both sides

1400	21	15 - 125	28.5 - 138.5	28	035 - 180	1.75	368
2400	25	25 - 125	41 - 141	35	055 - 250	2.25	380
2600	35	50 - 175	66 - 194	50	063 - 250	2.75	392
3400	45	50 - 250	70 - 270	64	075 - 300	3.00	408



**E2/000 e-chains® - standard for system E2**  
crossbars openable along the outer radius, from both sides

1500	21	15 - 125	28.5 - 138.5	28	035 - 180	1.75	368
2500	25	25 - 125	41 - 141	35	055 - 250	2.25	380
2700	35	50 - 175	66 - 194	50	063 - 250	2.75	392
3500	45	50 - 250	70 - 270	64	075 - 300	3.00	408
255	24	38 - 103	54 - 119	35	055 - 250	1.80	424



**E2/000 half e-tubes**  
crossbars openable along the inner radius, from both sides. Non-openable lids along the outer radius

1450	21	15 - 125	28.5 - 138.5	28	075 - 180	1.75	374
2450	25	25 - 125	41 - 141	35	055 - 250	2.25	386
2650	35	50 - 175	66 - 194	50	100 - 250	2.75	400
3450	45	50 - 250	70 - 270	64	125 - 300	3.00	416

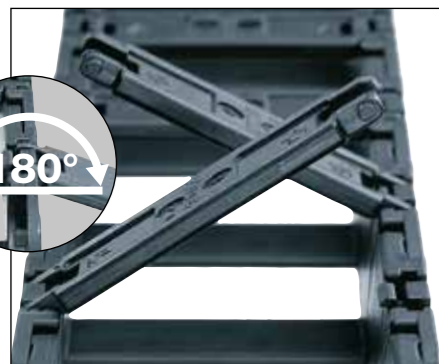


**E2/000 full e-tubes**  
lids openable along the inner radius, from both sides. Non-openable lids along the outer radius

1480	21	15 - 125	28.5 - 138.5	28	075 - 180	1.75	374
2480	25	25 - 125	41 - 141	35	075 - 250	2.25	386
2680	35	50 - 175	66 - 194	50	100 - 250	2.75	400
3480	45	50 - 250	70 - 270	64	125 - 300	3.00	416

 Available from stock. Ready to ship in 24 - 48hrs.\*

\*The delivery times indicated correspond to the average time until the ordered goods are dispatched.



Openable mechanism, openable along the left or right and to 180°



Lean separators enable extremely fast cable filling in several layers



Separators are secure even when e-chain® is open



Half e-tube - fully enclosed along the outer radius. Openable along the inner radius on left or right



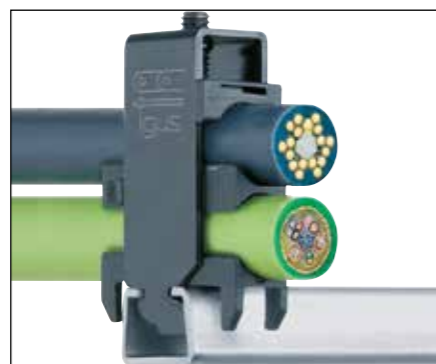
Fast closing by hand - secure without additional locking devices



Mechanical opening from the top - rapid opening with a screwdriver or the e-chain® opener



Open E2/000 in a flash with the e-chain® opener ► [www.igus.eu/E2opener](http://www.igus.eu/E2opener)



Strain relief e.g. clamps, tiwrap plates, nuggets, etc. ► **From page 1300**



e-chains® with extender crossbars - large increase of the interior space



Aluminium SuperTrough - the standard igus® guide trough ► **From page 1208**



rol e-chain® E2/000 - rolling instead of gliding. Reduce driving force



Aluminium and steel support tray for support of the lower run ► **From page 1264**

Technical data

	Speed gliding <sup>1)</sup> / acceleration gliding <sup>1)</sup>	≤ 10 [m/s] / ≤ 50 [m/s <sup>2</sup> ]
	Speed <i>FL<sub>G</sub></i> / acceleration <i>FL<sub>G</sub></i>	≤ 20 [m/s] / ≤ 200 [m/s <sup>2</sup> ]
	Speed <i>FL<sub>B</sub></i> / acceleration <i>FL<sub>B</sub></i>	≤ 3 [m/s] / ≤ 6 [m/s <sup>2</sup> ]
	Material - permitted temperature °C, igumid G	-40°C / +120°C
	Flammability class, igumid G	VDE 0304 IIC UL94-HB

■ *FL<sub>G</sub>* = unsupported with straight upper run ■ *FL<sub>B</sub>* = unsupported with permitted sag

1) For openable series along the inner radius in gliding applications, please consult igus®

Installation types, maximum travels

Series	Unsupported	Gliding <sup>1)</sup>	Vertical hanging	Vertical standing	Side mounted unsupported	Rotary	Zig-zag	Unsupported length lower run
1400 / 1500 / 1450 / 1480	≤ 3.9m	≤ 75m	≤ 20m	≤ 2.0m	≤ 0.7m	with rework	upon request	upon request
2400 / 2500 / 2450 / 2480	≤ 4.25m	≤ 100m	≤ 40m	≤ 3.0m	≤ 1.0m	with rework	upon request	upon request
2600 / 2700 / 2650 / 2680	≤ 5.5m	≤ 120m	≤ 50m	≤ 3.0m	≤ 1.0m	with rework	upon request	upon request
3400 / 3500 / 3450 / 3480	≤ 6.0m	≤ 150m	≤ 80m	≤ 3.0m	≤ 1.0m	with rework	upon request	upon request
255	≤ 3.6m	≤ 100m	≤ 40m	≤ 3.0m	≤ 1.0m	with rework	upon request	upon request

1) For openable series along the inner radius in gliding applications, please consult igus®



Options with order keys | Examples based on series 2400/2500/2450/2480

<b>Standard</b>	<i>Optional noise dampers</i>	<i>NC version - (No Camber) without pretension</i>	<i>Reverse Bend Radius (RBR) for circular movements</i>
<b>Part No. Standard</b> 	<b>Part No. Low noise (with pads)</b> 	<b>Part No. NC version</b> 	<b>Part No. RBR</b> 
<b>2400.03.R.0</b> e-chain® openable along inner radius <sup>1)</sup>	<b>S2400.03.R.0</b> e-chain® openable along inner radius <sup>1)</sup>	<b>2400.03.R.0.NC</b> e-chain® openable along inner radius <sup>1)</sup>	<b>2400.03.R1/R2.0</b> e-chain® openable along inner radius <sup>1)</sup>
<b>2500.03.R.0</b> e-chain® openable along the outer radius	—	<b>2500.03.R.0.NC</b> e-chain® openable along the outer radius	<b>2500.03.R1/R2.0</b> e-chain® openable along the outer radius
<b>2450.03.R.0</b> Half e-tube openable along the inner radius <sup>1)</sup>	<b>S2450.03.R.0</b> Half e-tube openable along the inner radius <sup>1)</sup>	<b>2450.03.R.0.NC</b> Half e-tube openable along the inner radius <sup>1)</sup>	<i>RBR for e-tubes - please consult igus®</i>
<b>2480.03.R.0</b> e-tube openable along the inner radius <sup>1)</sup>	<b>S2480.03.R.0</b> e-tube openable along the inner radius <sup>1)</sup>	<b>2480.03.R.0.NC</b> e-tube openable along the inner radius <sup>1)</sup>	<i>RBR for e-tubes - please consult igus®</i>
<b>Ready to ship* in 24 - 48hrs.</b>	<b>Delivery time* 3-5 business days</b>	<b>Delivery time* 2-5 business days</b>	<b>Delivery time* several series from stock</b>

\*The delivery times indicated correspond to the average time until the ordered goods are dispatched.

<i>Unsupported lengths +25% possible</i>	<i>No burning-in of hot swarf up to +850°C (+1562° F)</i>	<i>ESD - electrically conductive material</i>	<i>Magnetically detectable plastic e-chains®</i>
<b>Part No. XXL material<sup>2)</sup></b> 	<b>Part No. igumid HT</b> 	<b>Part No. igumid ESD</b> 	<b>Part No. igumid DT</b> 
<b>2400.03.R.0.XXL</b> e-chain® openable along inner radius <sup>1)</sup>	<b>2480.03.R.0.HT</b> Complete e-tube	<b>2400.03.R.0.ESD</b> e-chain® openable along inner radius <sup>1)</sup>	<b>2400.03.R.0.DT</b> e-chain® openable along inner radius <sup>1)</sup>
<b>2500.03.R.0.XXL</b> e-chain® openable along the outer radius	<b>2480.03.HT.R.0</b> e-tube outer radius lid only	<b>2500.03.R.0.ESD</b> e-chain® openable along the outer radius	<b>2500.03.R.0.DT</b> e-chain® openable along the outer radius
<b>2450.03.R.0.XXL</b> Half e-tube openable along the inner radius <sup>1)</sup>	—	<b>2450.03.R.0.ESD</b> Half e-tube openable along the inner radius <sup>1)</sup>	<b>2450.03.R.0.DT</b> Half e-tube openable along the inner radius <sup>1)</sup>
<b>2480.03.R.0.XXL</b> e-tube openable along the inner radius <sup>1)</sup>	—	<b>2480.03.R.0.ESD</b> e-tube openable along the inner radius <sup>1)</sup>	<b>2480.03.R.0.DT</b> e-tube openable along the inner radius <sup>1)</sup>
<b>Delivery time* 5 business days</b>	<b>Delivery time* 7-10 business days</b>	<b>Delivery time* several series from stock</b>	<b>Delivery time* upon request</b>

1) Before using this series in gliding applications, please consult igus® 2) Lower part made from XXL material

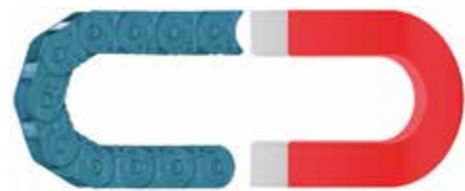
Order example | Examples based on series 2500

**Order example for complete e-chain® (1.0m), colour black, with mounting brackets and interior separation:**

<b>e-chain® (1.0m)</b>	Please indicate e-chain® length or number of links: 1.0m or 22 links	<b>2500.03.100.0</b>
<b>+ Mounting brackets</b>	1 set (with tiwrap plates)	<b>2030.34PZB+</b>
<b>Interior separation</b>	with 2 separators assembled every 2 <sup>nd</sup> link	<b>2 x 25.1.1</b>
<b>Order text:</b>	<b>1 m 2500.03.100.0 + 2030.34PZB+ + 2 x 25.1.1</b>	

**Magnetically detectable plastic e-chains® for the food and tobacco industry**

- igumid DT - automatic detection by all common metal detection systems
  - Particles as small as 1.0mm can be recognised for fragments passing at speeds of 20m/min
- More information ► [www.igus.eu/detectable-chain](http://www.igus.eu/detectable-chain)



Order key and colour examples | Examples based on series 2400/2500/2450/2480

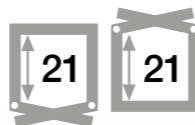
**Order key**

e-chains® openable along the outer radius	<b>2500.03.100.0</b>
e-chains® openable along the inner radius	<b>2400.03.100.0</b>
Half e-tube openable along the inner radius	<b>2450.03.100.0</b>
Full e-tube openable along the inner radius	<b>2480.03.100.0</b>
Series / Type	
Width index (depends on B)	
Bend radius R	
Colour index (standard black)	

**Order index for colour options**

Colour	Order index	Colour	Order index
<b>Black</b>	Standard .0	<b>Orange</b>	Special colour .2
<b>Silver-grey</b>	Special colour .31	<b>Yellow</b>	Special colour .4
<b>White</b>	Special colour .1	<b>Light grey</b>	Special colour .14
<b>Grey-white</b>	Special colour .1S		

**Black e-chains® available from stock. Above special colours upon request.**



e-chains® | Series 1400 | Crossbars openable along the inner radius, from both sides  
 e-chains® | Series 1500 | Crossbars openable along the outer radius, from both sides

Part No. e-chains® openable along inner radius	Part No. e-chains® openable along outer radius	Bi [mm]	Ba [mm]	R Available bend radii [mm]	1400 [kg/m]	1500 [kg/m]
1400.015 .R.0	1500.015 .R.0 <sup>1)</sup>	15	28.5	035   038   048   075   100   125   145   180	≈ 0.46	≈ 0.46
1400.020 .R.0	1500.020 .R.0	20	33.5	035   038   048   075   100   125   145   180	≈ 0.47	≈ 0.47
1400.025 .R.0	1500.025 .R.0 <sup>1)</sup>	25	38.5	035   038   048   075   100   125   145   180	≈ 0.49	≈ 0.49
1400.038 .R.0	1500.038 .R.0 <sup>1)</sup>	38	51.5	035   038   048   075   100   125   145   180	≈ 0.53	≈ 0.53
1400.050 .R.0	1500.050 .R.0 <sup>1)</sup>	50	63.5	035   038   048   075   100   125   145   180	≈ 0.56	≈ 0.56
1400.068 .R.0	1500.068 .R.0 <sup>1)</sup>	68	81.5	035   038   048   075   100   125   145   180	≈ 0.63	≈ 0.63
1400.080 .R.0	1500.080 .R.0 <sup>1)</sup>	80	93.5	035   038   048   075   100   125   145   180	≈ 0.67	≈ 0.67
1400.100 .R.0	1500.100 .R.0	100	113.5	035   038   048   075   100   125   145   180	≈ 0.74	≈ 0.74
1400.125 .R.0	1500.125 .R.0	125	138.5	035   038   048   075   100   125   145   180	≈ 0.83	≈ 0.83

1) <sup>▲</sup> Available as ESD version from stock

Half e-tubes, series 1450 and full e-tube series 1480 ▶ From page 374

Complete Part No. with required radius (R). Example: 1500.038.100.0

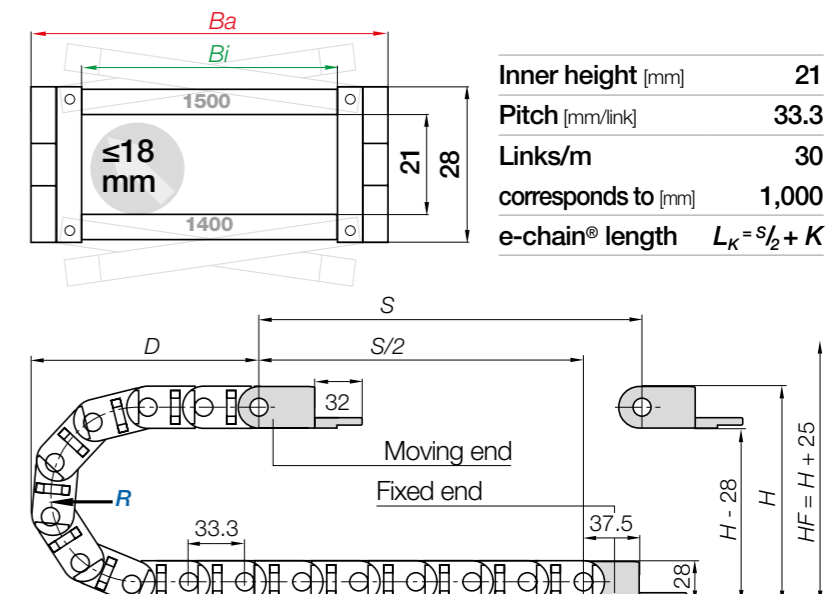
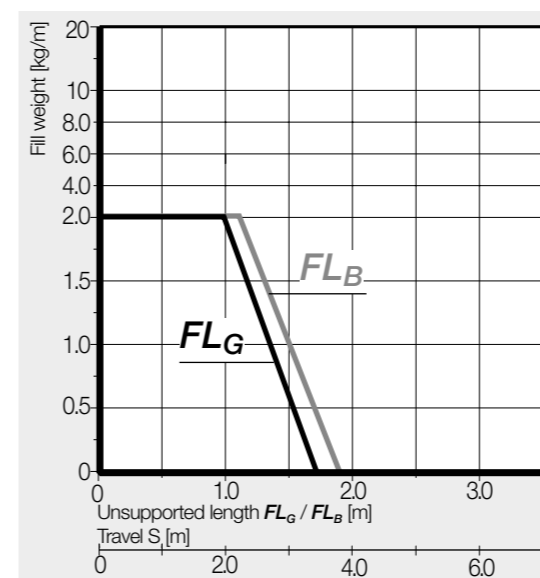
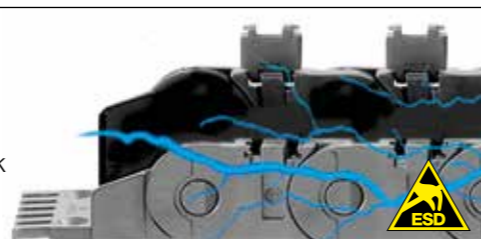


**Reduce assembly time - E2/000 e-chain® opener**

- Reduce opening times from 33 to 2 seconds
- Open a long e-chain® section in one go
- For widths Bi [mm]: 20, 50, 68, 80, 100
- Part No. 908.254.1400 for series 1400/1500
- More information ▶ [www.igus.eu/E2opener](http://www.igus.eu/E2opener)

**ESD - many sizes from stock**

- Standardised product made from igumid ESD
- ESD material tested with over 10 million cycles for the toughest requirements
- Short delivery times including mounting brackets and interior separation; 24hrs, from stock
- More information ▶ [www.igus.eu/esd](http://www.igus.eu/esd)



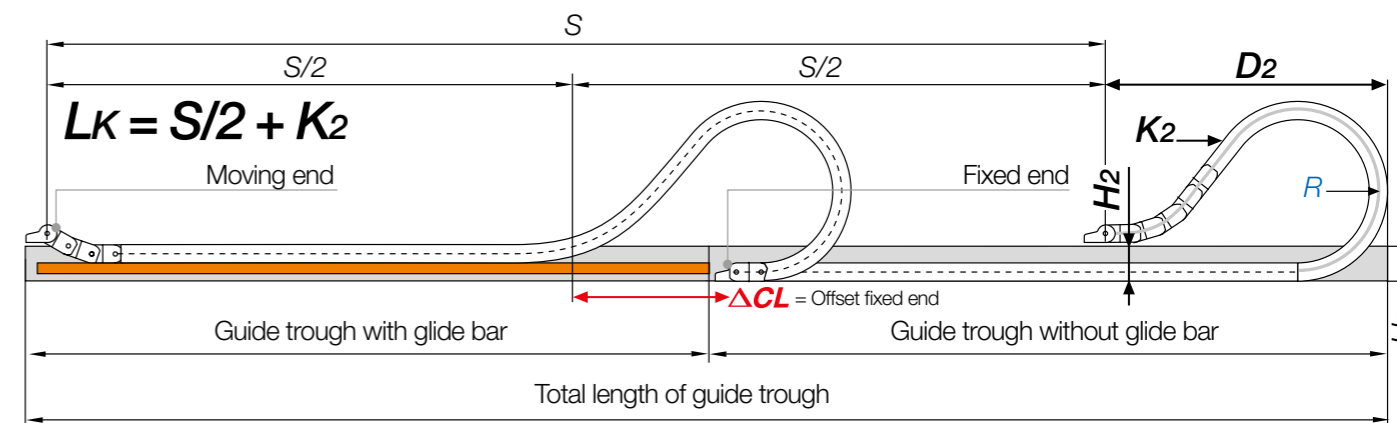
Inner height [mm]	21
Pitch [mm/link]	33.3
Links/m	30
corresponds to [mm]	1,000
e-chain® length	$L_K = S/2 + K$

R	035	038	048	075	100	125	145	180
H	98	104	124	178	228	278	318	388
D	99	102	112	139	164	189	209	244
K	180	190	220	305	385	460	525	635

The required clearance height:  $H_F = H + 25\text{mm}$  (with 0.5kg/m fill weight)

Before using series 1400 on long travels please consult igus®.

**Gliding applications | For long travels from 10m to max. 75m**



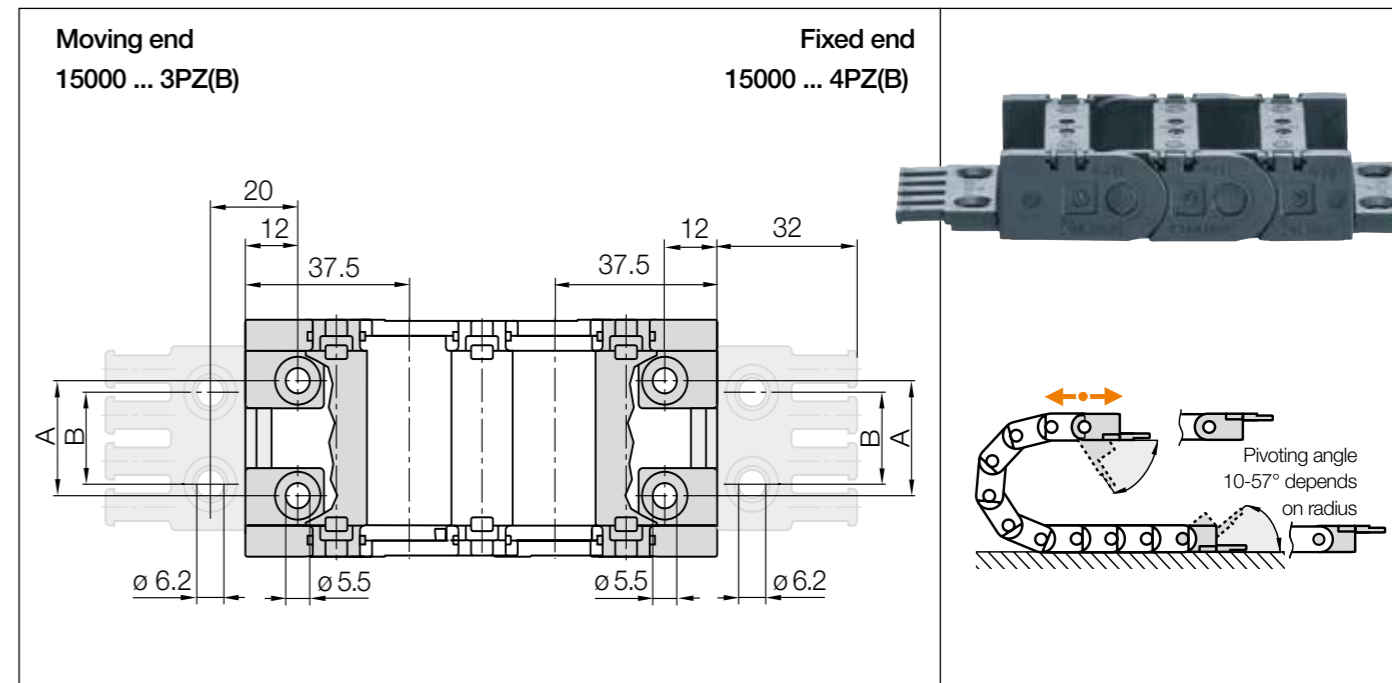
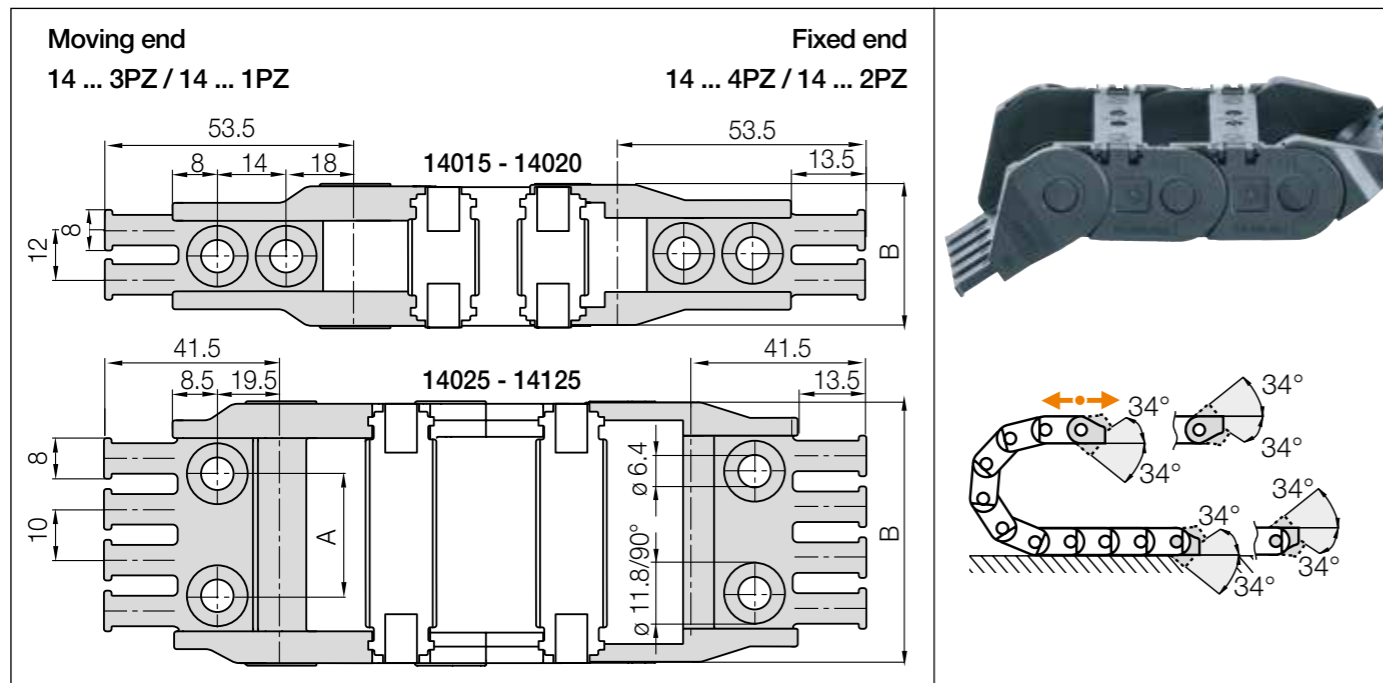
**Note:** before using series 1400/1450/1480 on long travels please consult igus®.

For long travels, igus® recommends series 1500 openable along the outer radius.

In case of travels between 4 and 10m we recommend an e-chain® with a longer unsupported length.

R	035	038	048	075	100	125	145	180
H <sub>2</sub>	70	76	96	150	100	100	100	100
D <sub>2</sub> <sup>+25</sup>	99	102	112	139	340	495	540	690
K <sub>2</sub>	180	190	220	305	600	800	940	1,170
ΔCL	-	-	-	-	179	305	340	445

Before using series 1400 on long travels please consult igus®.



**Polymer pivoting** | Recommended for unsupported and gliding applications  
**Polymer locking** | Recommended for vertical hanging and standing applications

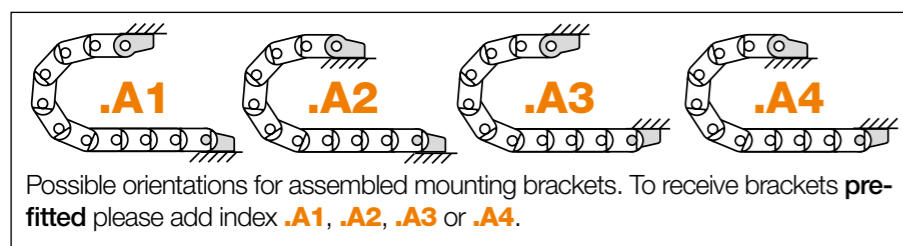
Width index	Part No. full set pivoting		Part No. full set locking		A [mm]	B [mm]	Number of teeth
	with tiewrap plates	without tiewrap plate	with tiewrap plates	without tiewrap plate			
015. ▶	14015.34PZ	-	14015.12PZ	-	-	28.5	2
020. ▶	14020.34PZ	-	14020.12PZ	-	-	33.5	2
025. ▶	14025.34PZ	-	14025.12PZ	-	13	38.5	2
038. ▶	14038.34PZ	-	14038.12PZ	-	24	51.5	4
050. ▶	14050.34PZ	-	14050.12PZ	-	36	63.5	5
068. ▶	14068.34PZ	-	14068.12PZ	-	54	81.5	7
080. ▶	14080.34PZ	-	14080.12PZ	-	66	93.5	8
100. ▶	14100.34PZ	-	14100.12PZ	-	86	113.5	10
125. ▶	14125.34PZ	-	14125.12PZ	-	111	138.5	13

**Polymer pivoting** | Recommended for unsupported and gliding applications  
**For tight installation spaces**

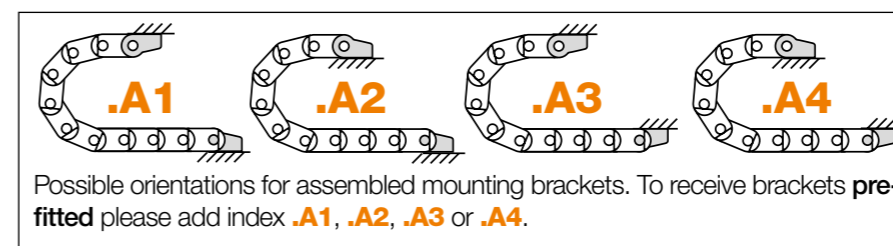
Width index	Part No. full set pivoting		Part No. full set locking		A [mm]	B [mm]	Number of teeth
	with tiewrap plates	without tiewrap plate	with tiewrap plates	without tiewrap plate			
015. ▶	-	-	-	-	-	-	-
020. ▶	-	-	-	-	-	-	-
025. ▶	15000.025.34PZB	15000.025.34PZ	-	-	12	15	3
038. ▶	15000.038.34PZB	15000.038.34PZ	-	-	25	20	4
050. ▶	15000.050.34PZB	15000.050.34PZ	-	-	37	30	5
068. ▶	15000.068.34PZB	15000.068.34PZ	-	-	55	40	6
080. ▶	15000.080.34PZB	15000.080.34PZ	-	-	67	60	8
100. ▶	15000.100.34PZB	15000.100.34PZ	-	-	87	80	10
125. ▶	15000.125.34PZB*	15000.125.34PZ*	-	-	112	100	12

\*Tiewrap plate (consists of 2x2050.ZB) does not snap on but needs to be bolted down separately.

Note: mounting brackets not to assemble at the gable end.



**14038.34PZ.A1** Order example  
 .A... to indicate option with brackets pre-fitted  
 With integrated strain relief tiewrap plates  
 Full set  
 Series



**15000.038.34PZ.A1** Order example  
 .A... to indicate option with brackets pre-fitted  
 With integrated strain relief tiewrap plates  
 Full set  
 Width index  
 Series



Option: steel mounting bracket, locking. For e-chains® and e-tubes, Part No. 14000.12  
 ● Locking connections ● One part (2-piece) for all e-chain® widths ● Electrically conductive

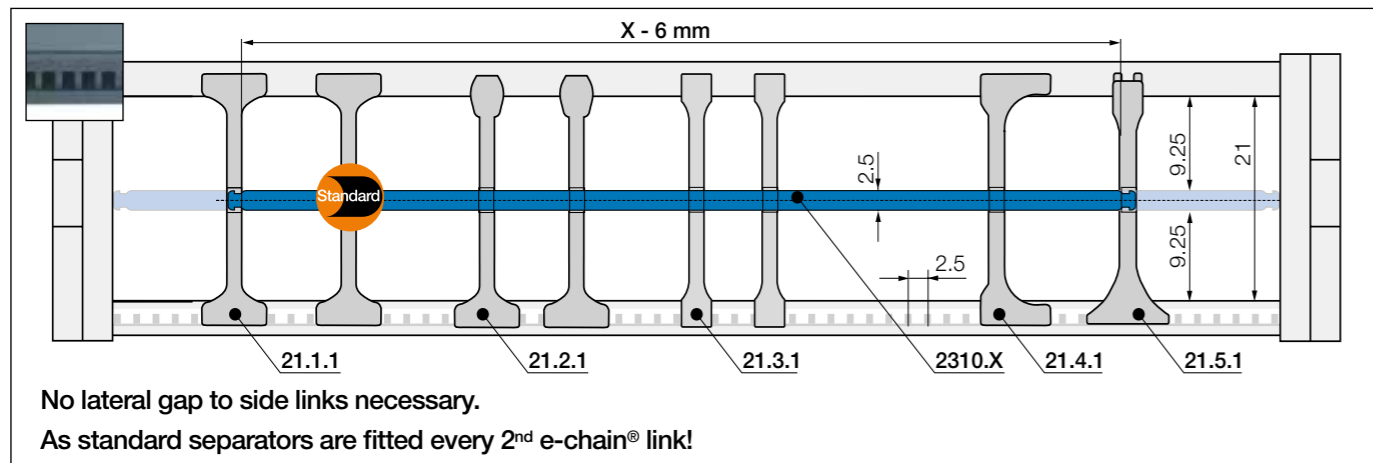
**Strain relief** e.g. clamps, tiewrap plates, nuggets and plug-in clips are available from stock. The complete chainfix range with ordering options ▶ From page 1300

**Strain relief** e.g. clamps, tiewrap plates, nuggets and plug-in clips are available from stock. The complete chainfix range with ordering options ▶ From page 1300



Interior separation | Increase cable service life

Previous generation of interior separation with other options ► [www.igus.eu/1400](http://www.igus.eu/1400) ► [www.igus.eu/1500](http://www.igus.eu/1500)



**Standard separator, wide base**

		unassembled	21.1
		assembled	21.1.1

**Standard - for any application**  
Separator with a wide base for maximum holding force in the e-chain®.

**Separator, narrow top**

		unassembled	21.2
		assembled	21.2.1

**For even faster installation**  
Wide on one side for high holding force, narrow on opposite side for easy cable fitting.

**Separator, narrow**

		unassembled	21.3
		assembled	21.3.1

**For small cables**  
Separator with a narrow base for a large number of small cables side by side. Saves space in the e-chain®.

**Separator, asymmetrical**

		unassembled	21.4
		assembled	21.4.1

**For side-mounted applications**  
Asymmetrical separator, for defined gap distance. No additional spacers required.

**Notch separator for notched crossbar**

		unassembled	21.5
		assembled	21.5.1

**Locks securely in preset increments**  
Notch separator for exact positioning in e-chains®. Recommended for side-mounted applications.  
Note: For this series notches only on fixed crossbars, not on openable crossbars

**Shelf, lockable**

		unassembled	2300.X
		assembled	2310.X

**Horizontal separation**  
Full-width shelf locks securely into separators at both ends, giving a fixed width. Can be used as full-width or partial shelf.

Shelves Width = X [mm]	X [mm]		X [mm]		X [mm]	
	unassembled	assembled	unassembled	assembled	unassembled	assembled
	015	2300.015	2310.015	060	2300.060	2310.060
	025	2300.025	2310.025	062	2300.062	2310.062
	030	2300.030	2310.030	065	2300.065	2310.065
	038	2300.038	2310.038	070	2300.070	2310.070
	040	2300.040	2310.040	075	2300.075	2310.075
	050	2300.050	2310.050	077	2300.077	2310.077
	057	2300.057	2310.057	080	2300.080	2310.080
				125	2300.125	2310.125

**Separator with integrated strain relief teeth**

- Can be integrated into the mounting bracket or placed at any point in the e-chain®
  - Combines strain relief and interior separation, for restricted space conditions
  - Strain relief separator is easy to assemble without any screws
- Part No. 21.1.Z. More information ► From page 1326



**Aluminium support tray**

- Corrosion-resistant and seawater-resistant aluminium rails with adjustable width
  - Noise-reducing glide strip integrated as standard
  - Easy installation and connection of the e-chain®
  - Open design - dirt and debris fall through
- More information ► From page 1270



E2/000 series 1400 in aircraft refuelling truck - telescopic crane with six sections



**Half e-tubes | Series 1450** | Crossbars openable along inner radius from both sides, closed along outer radius  
**Full e-tubes | Series 1480** | Lids openable along inner radius from both sides, fully enclosed

Part No. half e-tubes openable along the inner radius	Part No. full e-tubes openable along the inner radius	Bi [mm]	Ba [mm]	R Available bend radii [mm]	1450 [kg/m]	1480 [kg/m]
1450.015 .R.0	1480.015 .R.0	15	28.5	035*   038*   048*   075   100   125   145   180	≈ 0.48	≈ 0.50
1450.020 .R.0**	1480.020 .R.0**	20	33.5	035*   038*   048*   075   100   125   145   180	≈ 0.51	≈ 0.51
1450.025 .R.0	1480.025 .R.0	25	38.5	035*   038*   048*   075   100   125   145   180	≈ 0.54	≈ 0.57
1450.038 .R.0	1480.038 .R.0	38	51.5	035*   038*   048*   075   100   125   145   180	≈ 0.59	≈ 0.61
1450.050 .R.0	1480.050 .R.0	50	63.5	035*   038*   048*   075   100   125   145   180	≈ 0.65	≈ 0.67
1450.068 .R.0	1480.068 .R.0	68	81.5	035*   038*   048*   075   100   125   145   180	≈ 0.74	≈ 0.77
1450.080 .R.0	1480.080 .R.0	80	93.5	035*   038*   048*   075   100   125   145   180	≈ 0.80	≈ 0.84
1450.100 .R.0	1480.100 .R.0	100	113.5	035*   038*   048*   075   100   125   145   180	≈ 0.90	≈ 0.95
1450.125 .R.0	1480.125 .R.0	125	138.5	035*   038*   048*   075   100   125   145   180	≈ 1.03	≈ 1.08

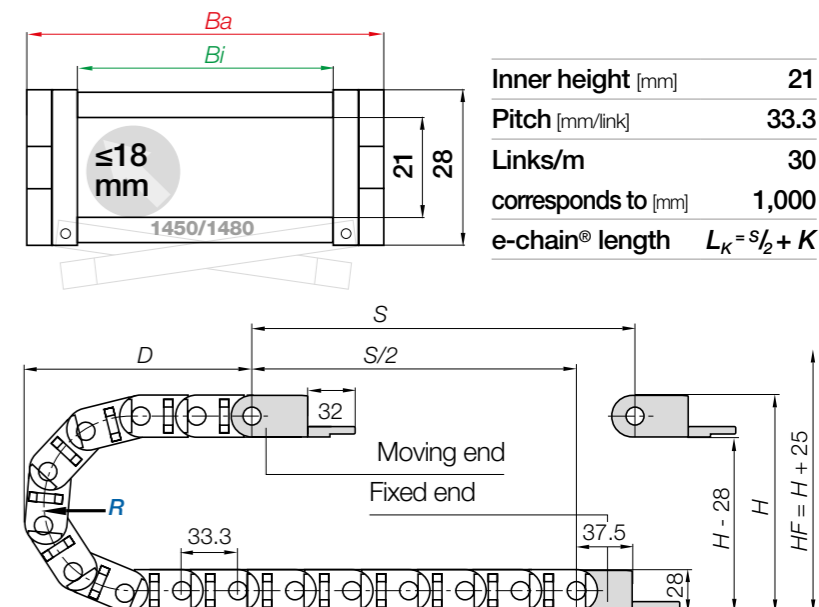
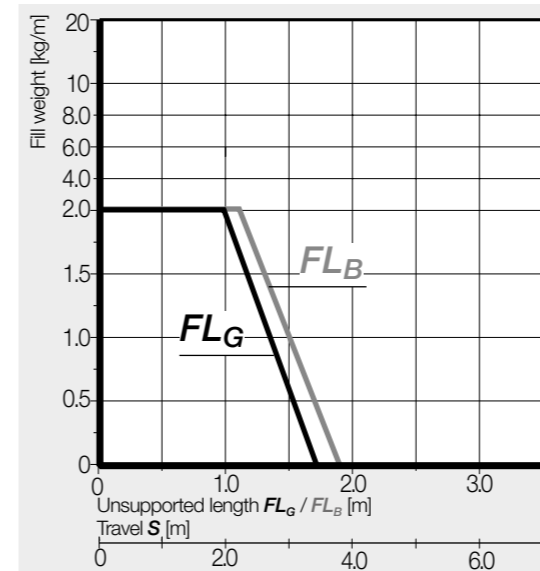
\*\*Width available upon request. Please consult igus® for delivery time. \*Radius available upon request. Please consult igus® for price and delivery time.

For radii 035, 038, 048 the e-tube is not fully enclosed. Please consult igus®.

Complete Part No. with required radius (R). Example: 1450.038.100.0

**Reduce assembly time - E2/000 e-chain® opener**

- Reduce opening times from 33 to 2 seconds
  - Open a long e-chain® section in one go
  - For widths Bi [mm]: 20, 50, 68, 80, 100
  - Part No. 908.254.1400 for series 1400/1500
- More information ► [www.igus.eu/E2opener](http://www.igus.eu/E2opener)



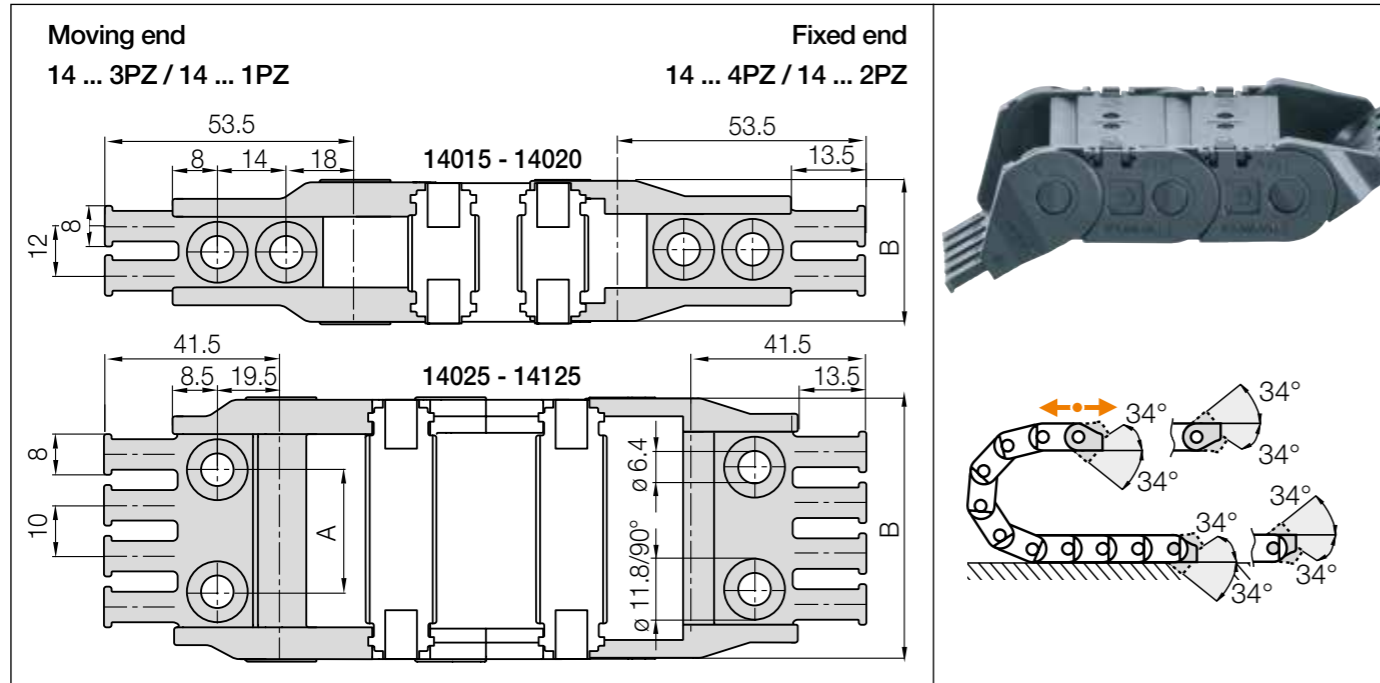
R	035*	038*	048*	075	100	125	145	180
H	98	104	124	178	228	278	318	388
D	99	102	112	139	164	189	209	244
K	180	190	220	305	385	460	525	635

The required clearance height:  $H_F = H + 25\text{mm}$  (with 0.5kg/m fill weight)

\*Radius available upon request. Please consult igus® for delivery time. Before using series 1450/1480 on long travels please consult igus®.

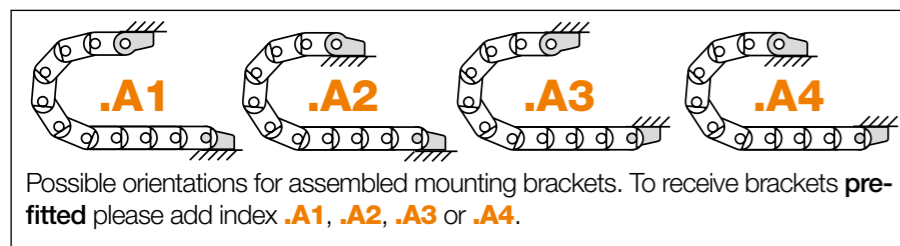
**i** If a gliding application is required for a long travel, please consult igus®.





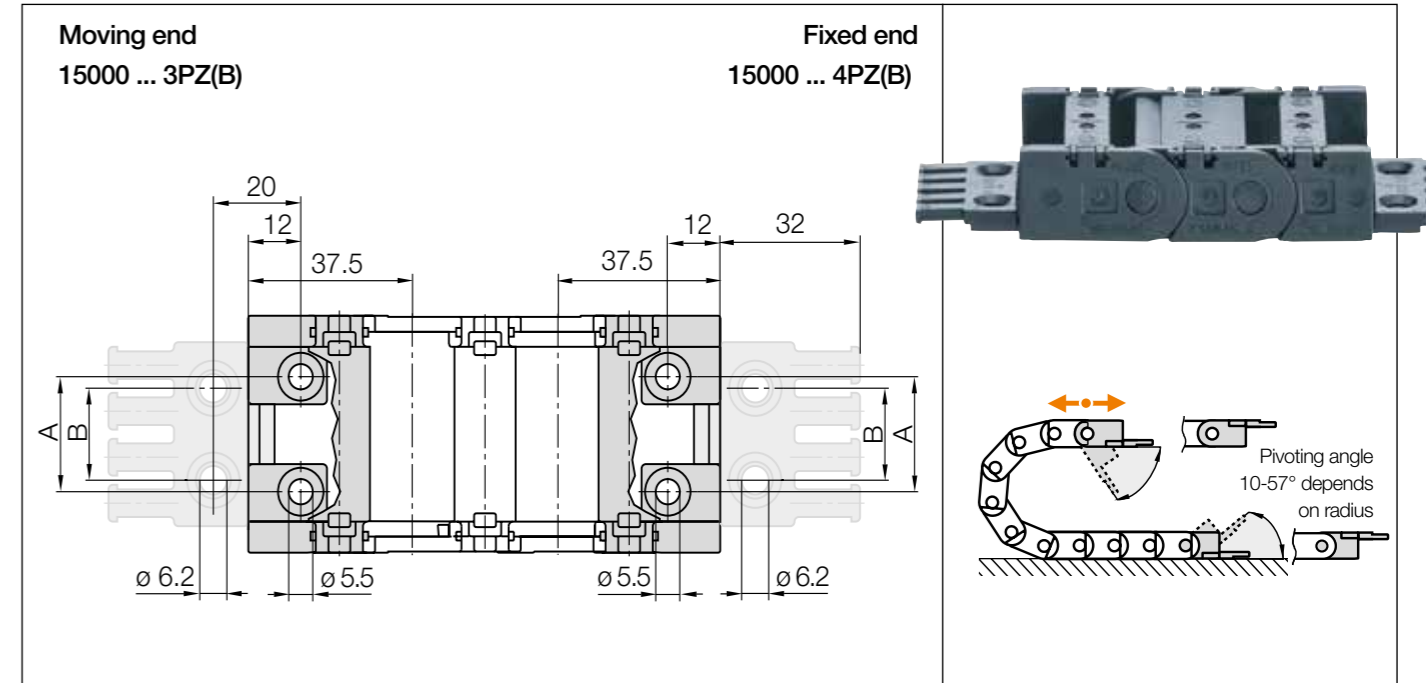
**Polymer pivoting** | Recommended for unsupported applications  
**Polymer locking** | Recommended for vertical hanging and standing applications

Width index	Part No. full set pivoting		Part No. full set locking		A [mm]	B [mm]	Number of teeth
	with tiewrap plates	without tiewrap plate	with tiewrap plates	without tiewrap plate			
015. ▶	14015.34PZ	-	14015.12PZ	-	-	28.5	2
020. ▶	14020.34PZ	-	14020.12PZ	-	-	33.5	2
025. ▶	14025.34PZ	-	14025.12PZ	-	13	38.5	2
038. ▶	14038.34PZ	-	14038.12PZ	-	24	51.5	4
050. ▶	14050.34PZ	-	14050.12PZ	-	36	63.5	5
068. ▶	14068.34PZ	-	14068.12PZ	-	54	81.5	7
080. ▶	14080.34PZ	-	14080.12PZ	-	66	93.5	8
100. ▶	14100.34PZ	-	14100.12PZ	-	86	113.5	10
125. ▶	14125.34PZ	-	14125.12PZ	-	111	138.5	13



**14038.34PZ.A1** Order example  
 .A... to indicate option with brackets pre-fitted  
 With integrated strain relief tiewrap plates  
 Full set  
 Series

**Strain relief** e.g. clamps, tiewrap plates, nuggets and plug-in clips are available from stock. The complete chainfix range with ordering options ▶ From page 1300

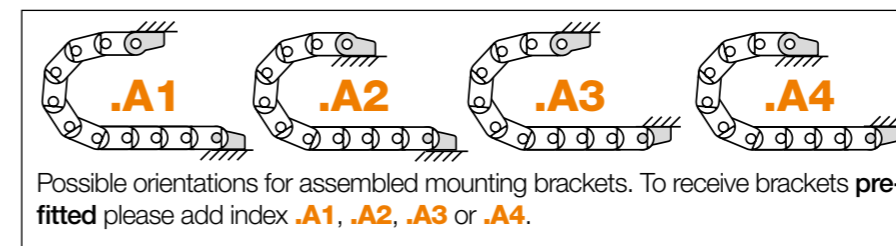


**Polymer pivoting** | Recommended for unsupported and gliding applications  
**For tight installation spaces**

Width index	Part No. full set pivoting		Part No. full set locking		A [mm]	B [mm]	Number of teeth
	with tiewrap plates	without tiewrap plate	with tiewrap plates	without tiewrap plate			
015. ▶	-	-	-	-	-	-	-
020. ▶	-	-	-	-	-	-	-
025. ▶	15000.025.34PZB	15000.025.34PZ	-	-	12	15	3
038. ▶	15000.038.34PZB	15000.038.34PZ	-	-	25	20	4
050. ▶	15000.050.34PZB	15000.050.34PZ	-	-	37	30	5
068. ▶	15000.068.34PZB	15000.068.34PZ	-	-	55	40	6
080. ▶	15000.080.34PZB	15000.080.34PZ	-	-	67	60	8
100. ▶	15000.100.34PZB	15000.100.34PZ	-	-	87	80	10
125. ▶	15000.125.34PZB*	15000.125.34PZ*	-	-	112	100	12

\*Tiewrap plate (consists of 2x2050.ZB) does not snap on but needs to be bolted down separately.

**Note:** mounting brackets not to assemble at the gable end.



**15000.038.34PZ.A1** Order example  
 .A... to indicate option with brackets pre-fitted  
 With integrated strain relief tiewrap plates  
 Full set  
 Width index  
 Series

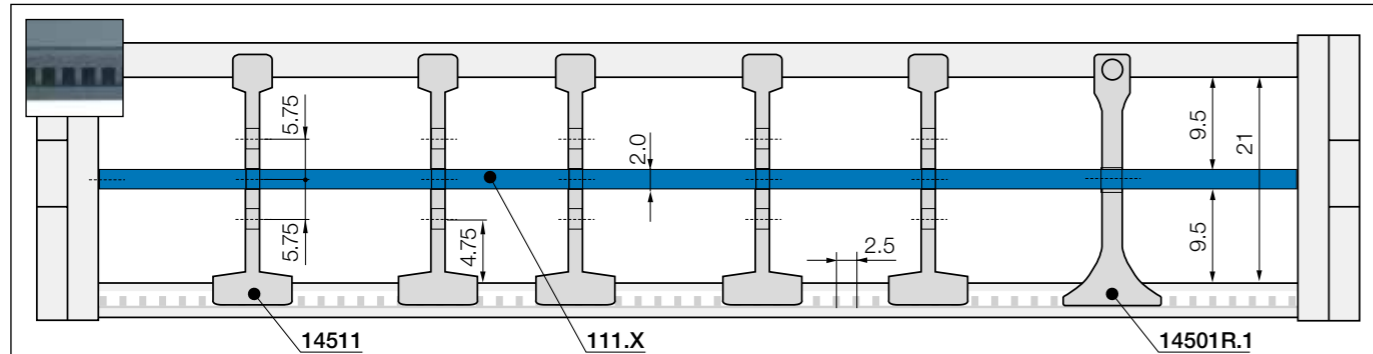


**Option: steel mounting bracket, locking.** For e-chains® and e-tubes, Part No. 14000.12

- Locking connections
- One part (2-piece) for all e-chain® widths
- Electrically conductive

**Strain relief** e.g. clamps, tiewrap plates, nuggets and plug-in clips are available from stock. The complete chainfix range with ordering options ▶ From page 1300

Interior separation



No lateral gap to side links necessary.  
As standard separators are fitted every 2<sup>nd</sup> e-chain® link!

		<b>Slotted separator</b> unassembled <b>14501</b>
		assembled <b>14511</b>

**Slotted separator**  
Vertical separation in e-chains®. The slot allows basic vertical/horizontal shelving arrangements.

		<b>Notch separator for notched crossbar</b> unassembled <b>14501R</b>
		assembled <b>14501R.1</b>

**Locks securely in preset increments**  
Notch separator for exact positioning in e-chains®. Recommended for side-mounted applications.  
Note: For this series notches only on fixed crossbars, not on openable crossbars/lids

		<b>Full-width shelf for e-tubes</b> unassembled <b>110.X</b>
		assembled <b>111.X</b>

**Full-width shelf**  
This option is for applications with many small cables with similar diameters. For full width separation.

Full-width shelves Width = X [mm]	X [mm]	unassembled		assembled		X [mm]	unassembled		assembled	
	015	110.15	111.15	038	110.38	111.38	080	110.80	111.80	
	020	110.20	111.20	050	110.50	111.50	100	110.100	111.100	
	025	110.25	111.25	068	110.68	111.68	125	110.125	111.125	

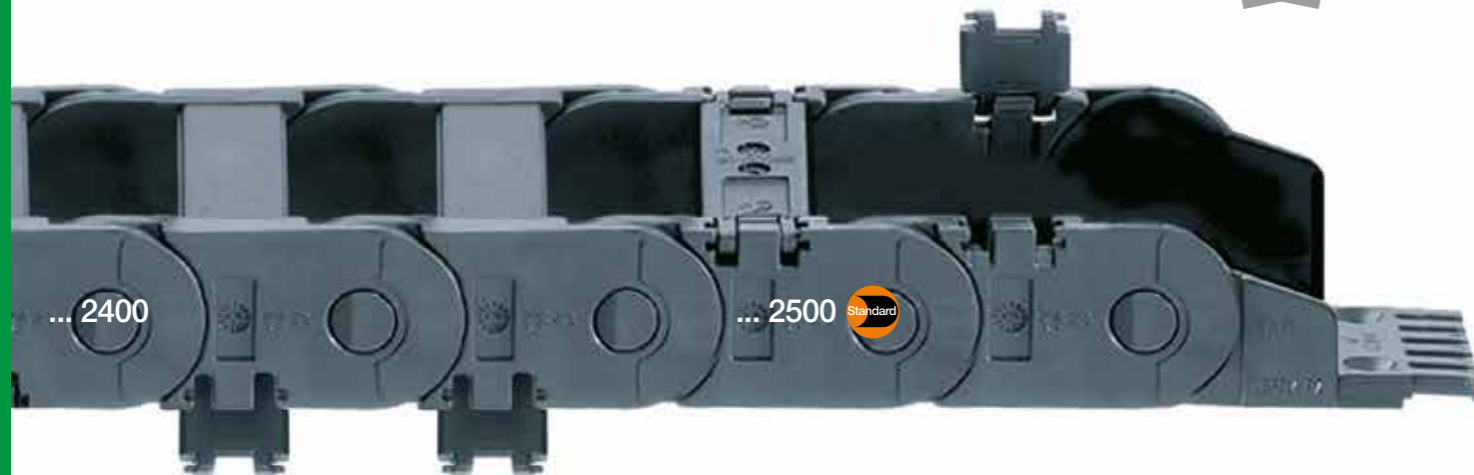
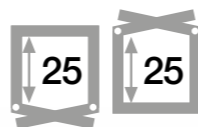
**Aluminium support tray**

- Corrosion-resistant and seawater-resistant aluminium rails with adjustable width
  - Noise-reducing glide strip integrated as standard
  - Easy installation and connection of the e-chain®
  - Open design - dirt and debris fall through
- More information ► From page 1270



Delivery of an igus® readychain® - here system E2/000 complete with chainflex® cables pre-fitted





e-chains® | Series 2400 | Crossbars openable along the inner radius, from both sides  
 e-chains® | Series 2500 | Crossbars openable along the outer radius, from both sides

Part No. e-chains® openable along inner radius	Part No. e-chains® openable along outer radius	Bi [mm]	Ba [mm]	R Available bend radii [mm]	2400 [kg/m]	2500 [kg/m]
2400.02.R.0	2500.02.R.0 <sup>1)</sup>	25	41	055   075   100   125   150   175   200   225   250	≈ 0.77	≈ 0.77
2400.03.R.0	2500.03.R.0 <sup>1)</sup>	38	54	055   075   100   125   150   175   200   225   250	≈ 0.83	≈ 0.83
2400.05.R.0	2500.05.R.0 <sup>1)</sup>	57	73	055   075   100   125   150   175   200   225   250	≈ 0.91	≈ 0.91
2400.07.R.0	2500.07.R.0 <sup>1)</sup>	77	93	055   075   100   125   150   175   200   225   250	≈ 1.01	≈ 1.01
2400.09.R.0	2500.09.R.0 <sup>1)</sup>	89	105	055   075   100   125   150   175   200   225   250	≈ 1.08	≈ 1.08
2400.10.R.0	2500.10.R.0 <sup>1)</sup>	103	119	055   075   100   125   150   175   200   225   250	≈ 1.15	≈ 1.15
2400.12.R.0	2500.12.R.0 <sup>1)</sup>	125	141	055   075   100   125   150   175   200   225   250	≈ 1.22	≈ 1.22

1) Available as ESD version from stock

Half e-tubes, series 2450 and full e-tube series 2480 ▶ From page 386

Complete Part No. with required radius (R). Example: 2500.03.100.0

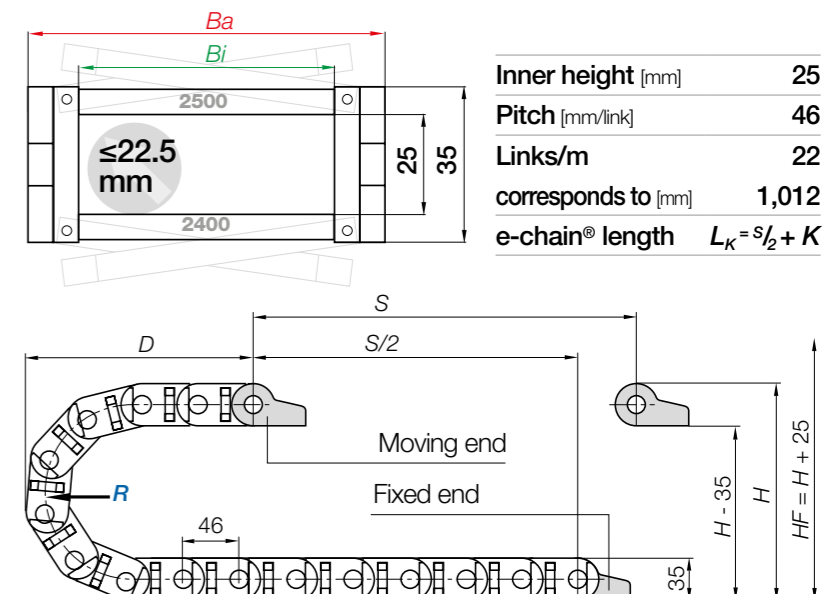
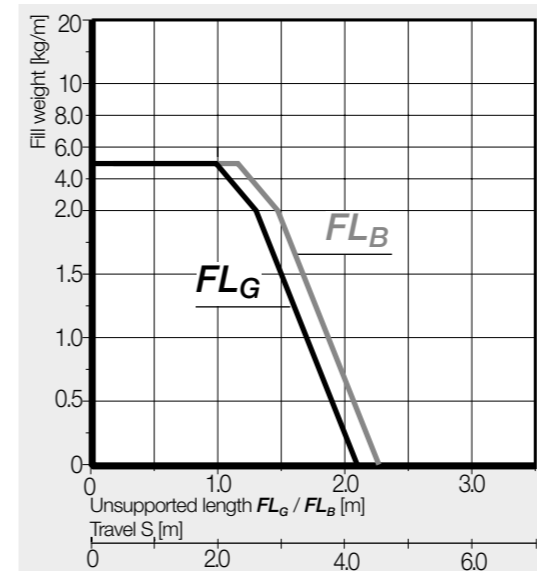
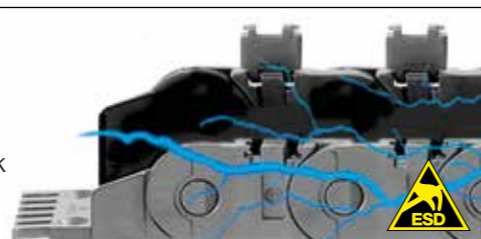


**Reduce assembly time - E2/000 e-chain® opener**

- Reduce opening times from 33 to 2 seconds
- Open a long e-chain® section in one go
- For widths Bi [mm]: 05, 07, 09
- Part No. 908.254.2400 for series 2400/2500
- More information ▶ [www.igus.eu/E2opener](http://www.igus.eu/E2opener)

**ESD - many sizes from stock**

- Standardised product made from igumid ESD
- ESD material tested with over 10 million cycles for the toughest requirements
- Short delivery times including mounting brackets and interior separation; 24hrs, from stock
- More information ▶ [www.igus.eu/esd](http://www.igus.eu/esd)

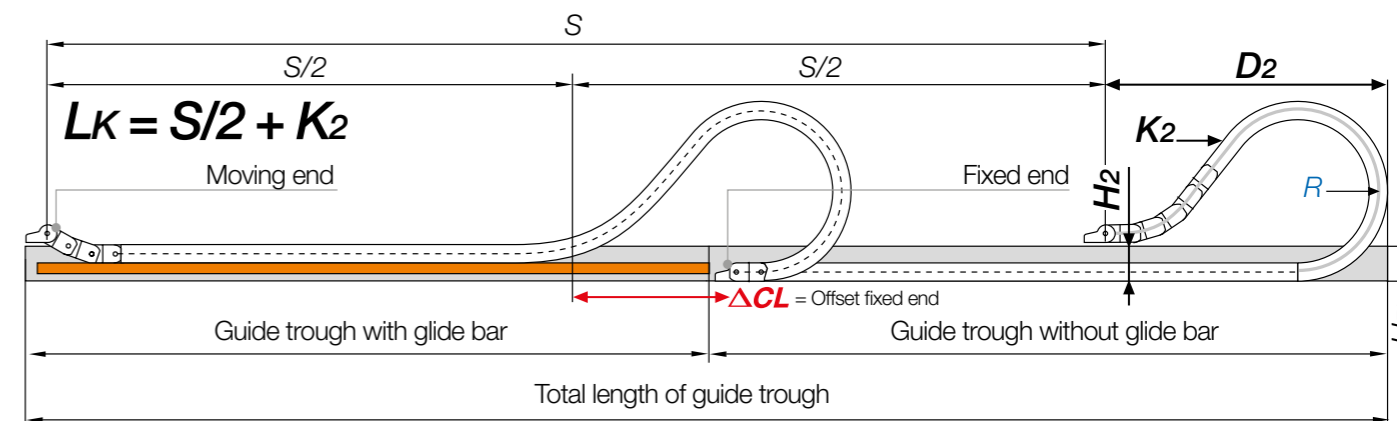


R	055	075	100	125	150	175	200	225	250
H	145	185	235	285	335	385	435	485	535
D	142	162	187	212	237	262	287	312	337
K	265	330	410	485	565	645	725	800	880

The required clearance height:  $H_F = H + 25\text{mm}$  (with 1.5kg/m fill weight)

Before using series 2400 on long travels please consult igus®.

**Gliding applications | For long travels from 10m to max. 100m**



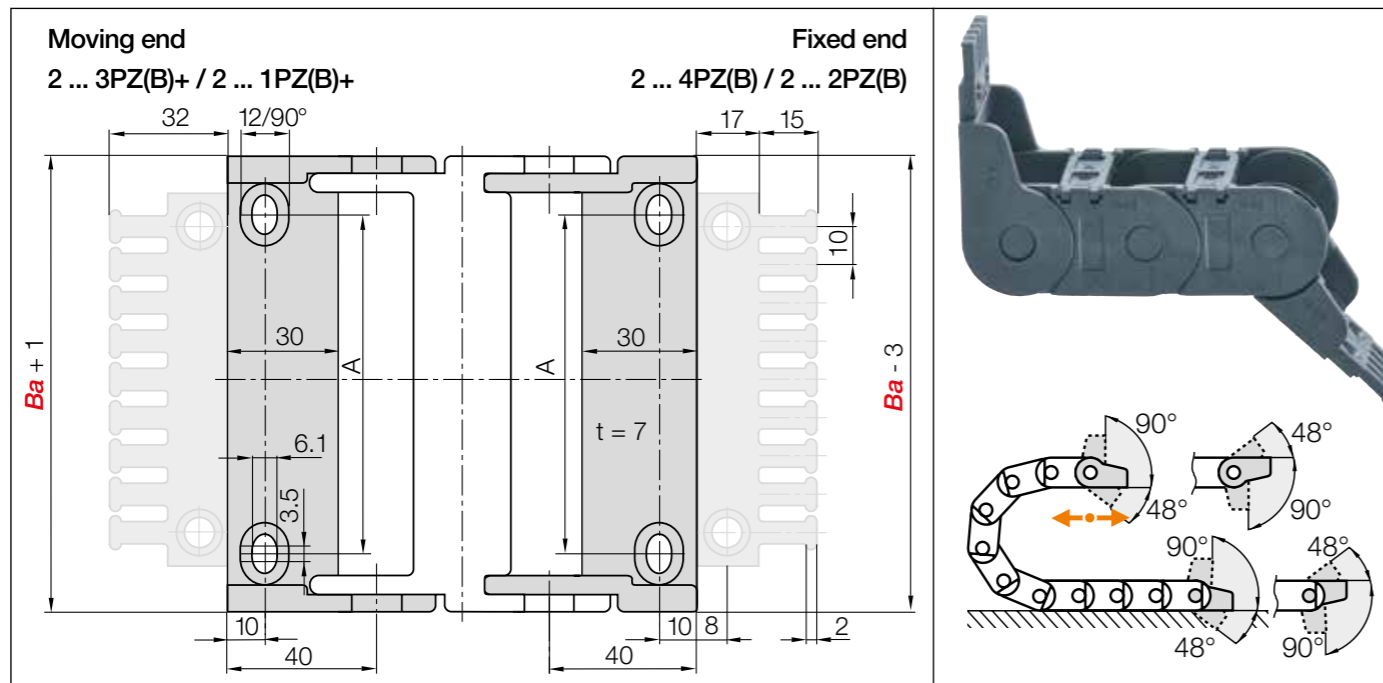
**Note:** before using series 2400/2450/2480 on long travels please consult igus®.

For long travels, igus® recommends series 2500 openable along the outer radius.

In case of travels between 4 and 10m we recommend an e-chain® with a longer unsupported length.

R	055	075	100	125	150	175	200	225	250
H <sub>2</sub>	110	150	100	100	100	100	100	100	100
D <sub>2</sub> <sup>+25</sup>	142	162	380	440	590	755	950	1,040	1,130
K <sub>2</sub>	265	330	644	736	1,012	1,242	1,472	1,610	1,794
ΔCL	-	-	204	244	364	504	674	754	804

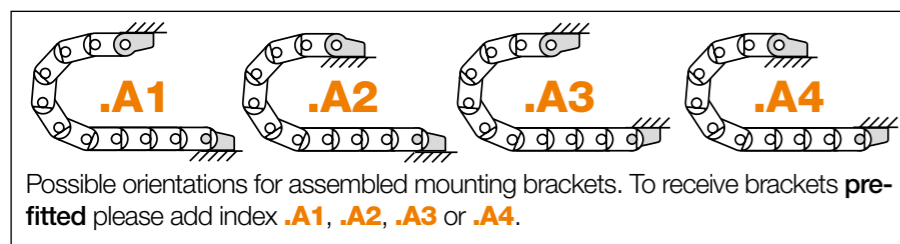
Before using series 2400 on long travels please consult igus®.



**Polymer pivoting** | Recommended for unsupported and gliding applications  
**Polymer locking** | Recommended for vertical hanging and standing applications

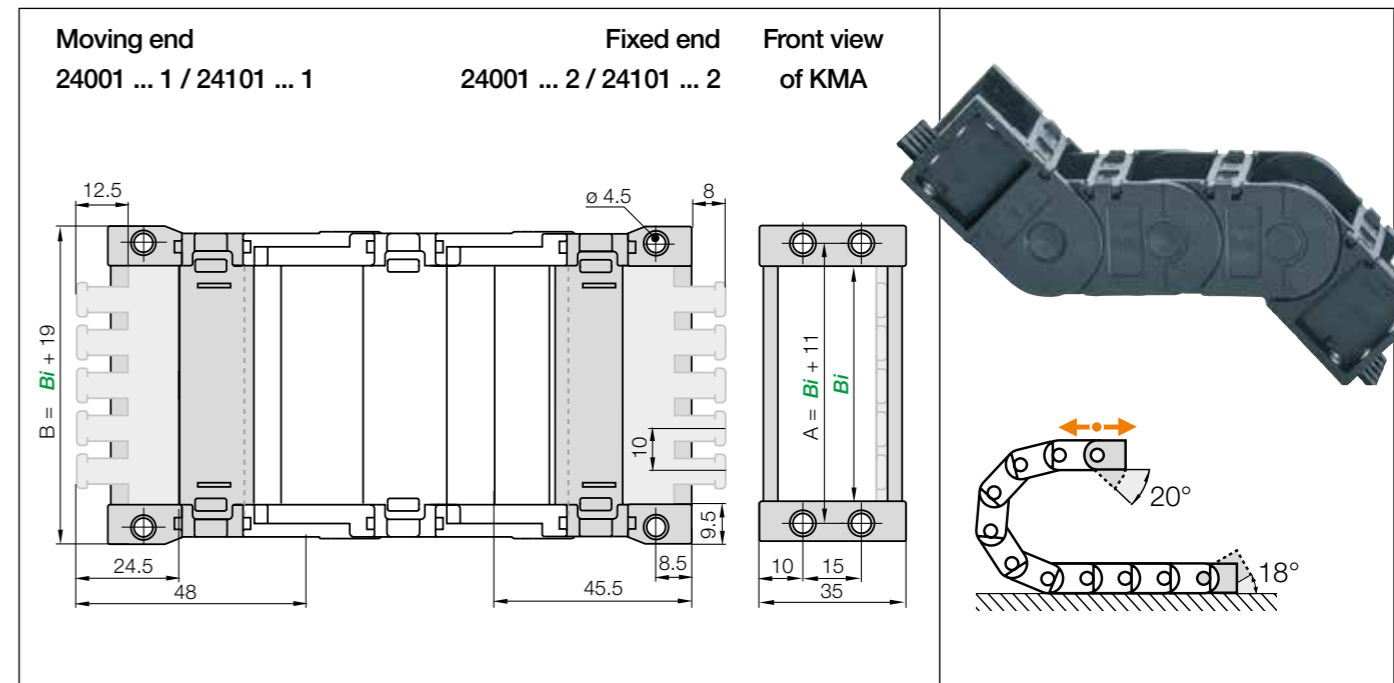
Width index	Part No. full set pivoting		Part No. full set locking		A [mm]	Number of teeth
	with tiewrap plates	without tiewrap plate	with tiewrap plates	without tiewrap plate		
02. ▶	2020.34PZB+	2020.34PZ+	2020.12PZB+	2020.12PZ+	12	3
03. ▶	2030.34PZB+	2030.34PZ+	2030.12PZB+	2030.12PZ+	25	4
05. ▶	2050.34PZB+	2050.34PZ+	2050.12PZB+	2050.12PZ+	44	6
07. ▶	2070.34PZB+	2070.34PZ+	2070.12PZB+	2070.12PZ+	64	8
09. ▶	2090.34PZB+	2090.34PZ+	2090.12PZB+	2090.12PZ+	77	9
10. ▶	2100.34PZB+	2100.34PZ+	2100.12PZB+	2100.12PZ+	90	10
12. ▶	2125.34PZB+	2125.34PZ+	2125.12PZB+	2125.12PZ+	112	12

Full set with tiewrap plate + 10 cable tiewraps, please add index **K1**. Example: 2020.34PZBK1+



**2020.34PZB+.A1** Order example  
 .A... to indicate option with brackets pre-fitted  
 With integrated strain relief tiewrap plates  
 Full set  
 Series

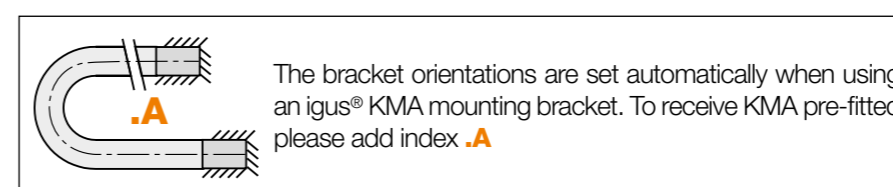
**Strain relief** e.g. clamps, tiewrap plates, nuggets and plug-in clips are available from stock. The complete chainfix range with ordering options ▶ From page 1300



**KMA pivoting** | Recommended for unsupported and gliding applications  
**KMA locking** | Recommended for vertical hanging and standing applications

Width index	Part No. full set KMA pivoting		Part No. full set KMA locking		A [mm]	B [mm]	Number of teeth
	with tiewrap plates	without tiewrap plate	with tiewrap plates	without tiewrap plate			
02. ▶	24001.02.12ZB	24001.02.12	24101.02.12ZB	24101.02.12	36	44	2
03. ▶	24001.03.12ZB	24001.03.12	24101.03.12ZB	24101.03.12	49	57	4
05. ▶	24001.05.12ZB	24001.05.12	24101.05.12ZB	24101.05.12	68	76	6
07. ▶	24001.07.12ZB	24001.07.12	24101.07.12ZB	24101.07.12	88	86	7
09. ▶	24001.09.12ZB	24001.09.12	24101.09.12ZB	24101.09.12	100	108	9
10. ▶	24001.10.12ZB	24001.10.12	24101.10.12ZB	24101.10.12	114	122	10
12. ▶	24001.12.12ZB	24001.12.12	24101.12.12ZB	24101.12.12	136	144	12

(KMA = polymer metal mounting bracket)



**24001.02.12ZB.A** Order example  
 .A... to indicate option with brackets pre-fitted  
 With integrated strain relief tiewrap plates  
 Full set  
 Width index  
 Series



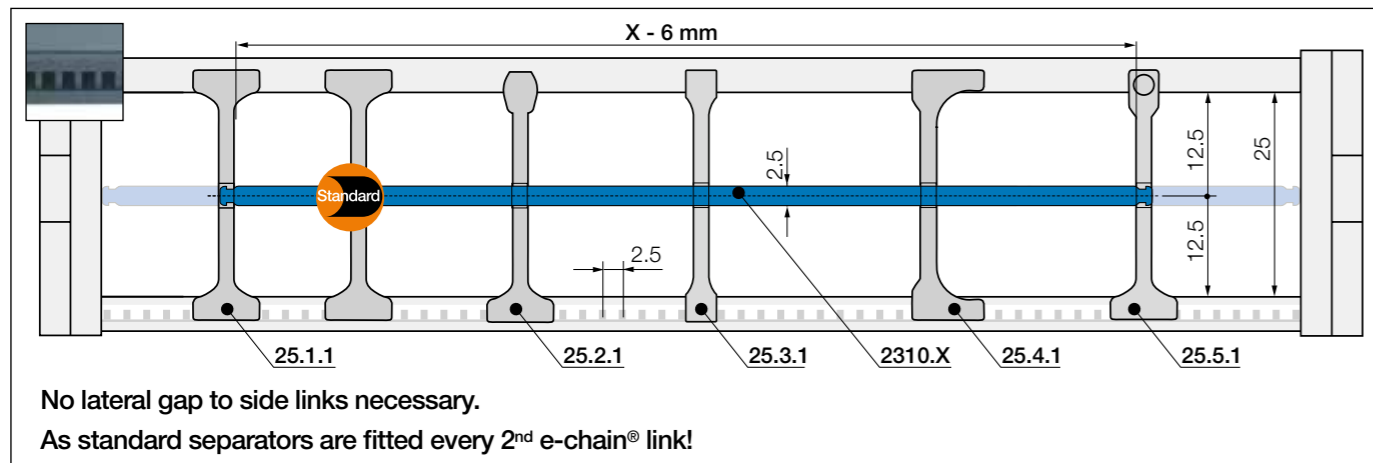
Option: steel mounting bracket, pivoting. For e-chains® and e-tubes, Part No. 2000.32  
 ● Pivoting connections ● One part (2-piece) for all e-chain® widths ● Electrically conductive

**Strain relief** e.g. clamps, tiewrap plates, nuggets and plug-in clips are available from stock. The complete chainfix range with ordering options ▶ From page 1300



Interior separation | Increase cable service life

Previous generation of interior separation with other options ► [www.igus.eu/2400](http://www.igus.eu/2400) ► [www.igus.eu/2500](http://www.igus.eu/2500)



**Standard separator, wide base**

unassembled	25.1
assembled	25.1.1

**Standard - for any application**  
Separator with a wide base for maximum holding force in the e-chain®.

**Separator, narrow top**

unassembled	25.2
assembled	25.2.1

**For even faster installation**  
Wide on one side for high holding force, narrow on opposite side for easy cable fitting.

**Separator, narrow**

unassembled	25.3
assembled	25.3.1

**For small cables**  
Separator with a narrow base for a large number of small cables side by side. Saves space in the e-chain®.

**Separator, asymmetrical**

unassembled	25.4
assembled	25.4.1

**For side-mounted applications**  
Asymmetrical separator, for defined gap distance. No additional spacers required.

**Notch separator for notched crossbar**

unassembled	25.5
assembled	25.5.1

**Locks securely in preset increments**  
Notch separator for exact positioning in e-chains®. Recommended for side-mounted applications.  
Note: For this series notches only on fixed crossbars, not on openable crossbars

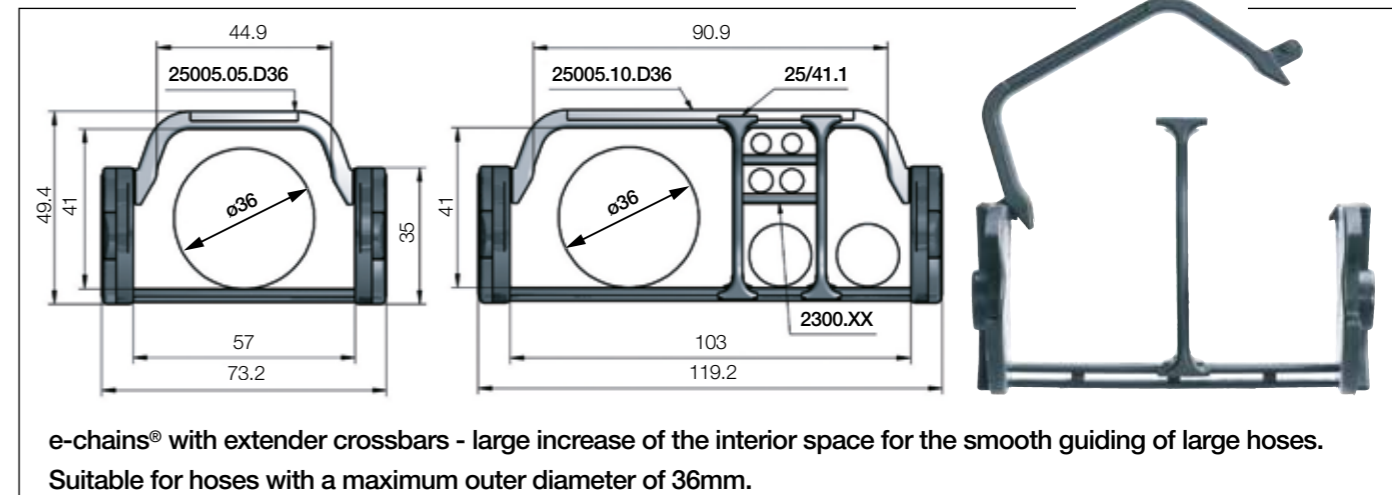
**Shelf, lockable**

unassembled	2300.X
assembled	2310.X

**Horizontal separation**  
Full-width shelf locks securely into separators at both ends, giving a fixed width. Can be used as full-width or partial shelf.

Shelves Width = X [mm]	X [mm]		X [mm]		X [mm]	
	unassembled	assembled	unassembled	assembled	unassembled	assembled
	015	2300.015	2310.015	060	2300.060	2310.060
	025	2300.025	2310.025	062	2300.062	2310.062
	030	2300.030	2310.030	065	2300.065	2310.065
	038	2300.038	2310.038	070	2300.070	2310.070
	040	2300.040	2310.040	075	2300.075	2310.075
	050	2300.050	2310.050	077	2300.077	2310.077
	057	2300.057	2310.057	080	2300.080	2310.080
				087	2300.087	2310.087
				090	2300.090	2310.090
				100	2300.100	2310.100
				103	2300.103	2310.103
				110	2300.110	2310.110
				120	2300.120	2310.120
				125	2300.125	2310.125

e-chains® with extender crossbar | Product Range



Part No. e-chains® extender crossbars openable along inner radius	Part No. e-chains® extender crossbars openable along outer radius	Bi [mm]	Ba [mm]	R Available bend radii [mm]
2400.05 D36 .R.0	2500.05 D36 .R.0	57	73	055*   075   100   125   150   175   200   225   250
2400.10 D36 .R.0	2500.10 D36 .R.0	103	119	055*   075   100   125   150   175   200   225   250

\* Radius 055 only possible with e-chains® series 2500, openable along outer radius!  
Complete Part No. with required radius (R). Example: 2500.05D36.100.0

Interior separation for e-chains® with extender crossbars

**Separator e-chain® with extender crossbars**

unassembled	25/41.1
assembled	25/41.1.1

**Shelf, lockable**

unassembled	2300.X
assembled	2310.X

**Standard separator, wide base**  
Separator with a wide base for maximum holding force in the e-chain®. As standard separators are fitted every 2nd e-chain® link!

**Horizontal separation**  
Full-width shelf locks securely into separators at both ends, giving a fixed width. Can be used as full-width or partial shelf.

**Separator with integrated strain relief teeth**

- Can be integrated into the mounting bracket or placed at any point in the e-chain®
- Combines strain relief and interior separation, for restricted space conditions
- Strain relief separator is easy to assemble without any screws

Part No. 2020.Z. More information ► From page 1326



**Aluminium support tray**

- Corrosion-resistant and seawater-resistant aluminium rails with adjustable width
- Noise-reducing glide strip integrated as standard
- Easy installation and connection of the e-chain®
- Open design - dirt and debris fall through

More information ► From page 1270





**Half e-tubes | Series 2450** | Crossbars openable along inner radius from both sides, closed along outer radius  
**Full e-tubes | Series 2480** | Lids openable along inner radius from both sides, fully enclosed

Part No. half e-tubes openable along the inner radius	Part No. full e-tubes openable along the inner radius	<i>B<sub>i</sub></i> [mm]	<i>B<sub>a</sub></i> [mm]	<i>R</i> Available bend radii [mm]	2450 [kg/m]	2480 [kg/m]
2450.02.R.0	2480.02.R.0	25	41	055*   075   100   125   150   175   200   225   250	≈ 0.80	≈ 0.82
2450.03.R.0	2480.03.R.0	38	54	055*   075   100   125   150   175   200   225   250	≈ 0.88	≈ 0.92
2450.05.R.0	2480.05.R.0	57	73	055   075   100   125   150   175   200   225   250	≈ 0.99	≈ 1.03
2450.07.R.0	2480.07.R.0	77	93	055   075   100   125   150   175   200   225   250	≈ 1.12	≈ 1.17
2450.09.R.0	2480.09.R.0	89	105	055*   075   100   125   150   175   200   225   250	≈ 1.20	≈ 1.26
2450.10.R.0	2480.10.R.0	103	119	055*   075   100   125   150   175   200   225   250	≈ 1.27	≈ 1.34
2450.12.R.0	2480.12.R.0	125	141	055*   075   100   125   150   175   200   225   250	≈ 1.35	≈ 1.43

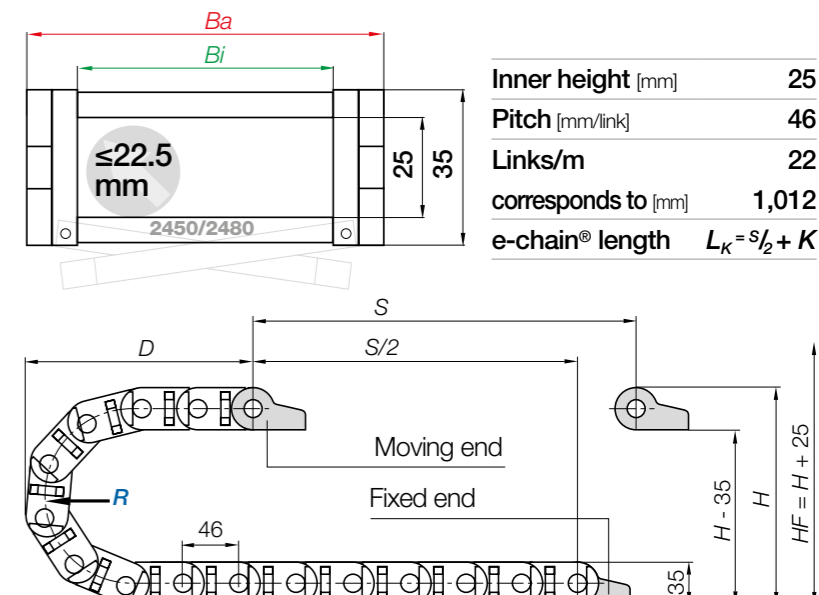
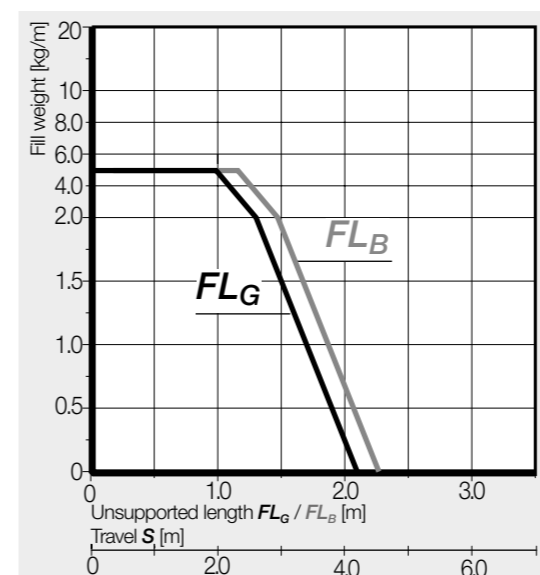
\*Radius available upon request. Please consult igus® for price and delivery time.

For the 055 radius the e-tube is not completely enclosed. Please consult igus®.

Complete Part No. with required radius (*R*). Example: 2450.03.100.0

**Reduce assembly time - E2/000 e-chain® opener**

- Reduce opening times from 33 to 2 seconds
  - Open a long e-chain® section in one go
  - For widths *B<sub>i</sub>* [mm]: 05, 07, 09
  - Part No. 908.254.2400 for series 2450
- More information ► [www.igus.eu/E2opener](http://www.igus.eu/E2opener)



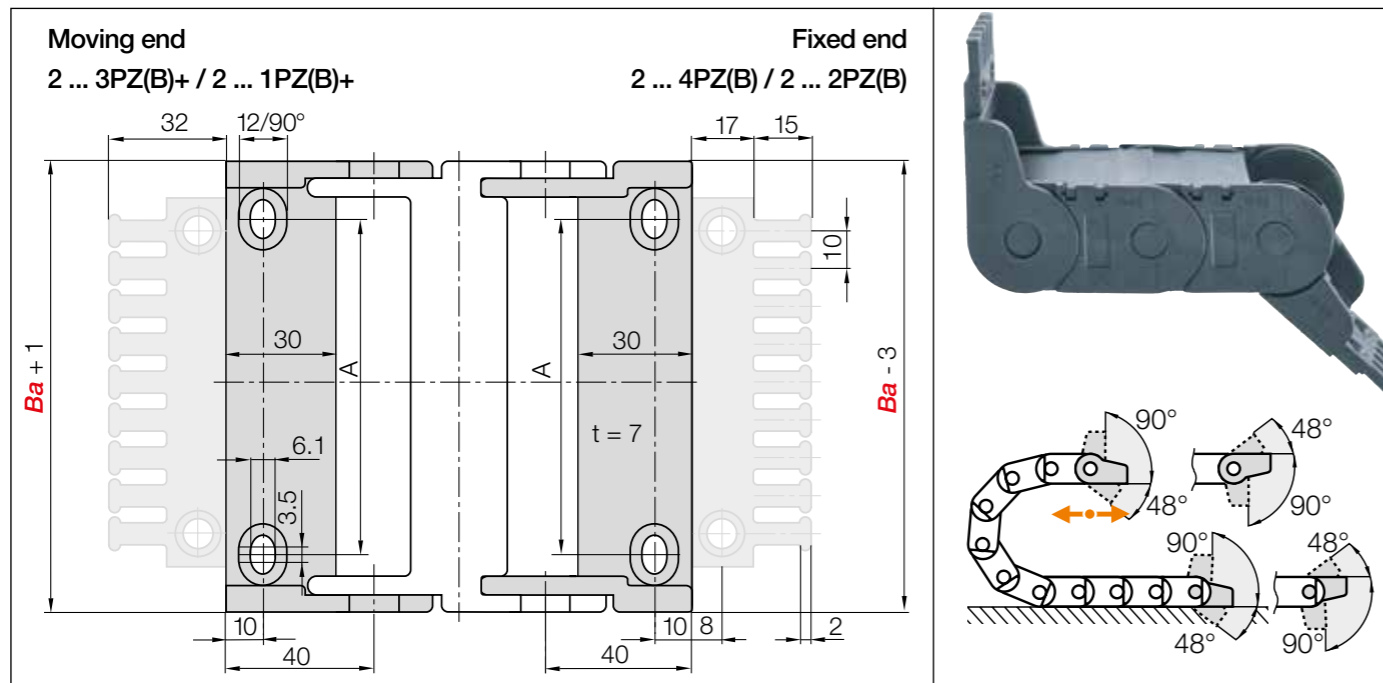
<i>R</i>	055*	075	100	125	150	175	200	225	250
<i>H</i>	145	185	235	285	335	385	435	485	535
<i>D</i>	142	162	187	212	237	262	287	312	337
<i>K</i>	265	330	410	485	565	645	725	800	880

The required clearance height:  $H_F = H + 25\text{mm}$  (with 1.5kg/m fill weight)

\*Radii for several widths available upon request (please see product range table). Before using series 2450/2480 on long travels please consult igus®.

**i** If a gliding application is required for a long travel, please consult igus®.

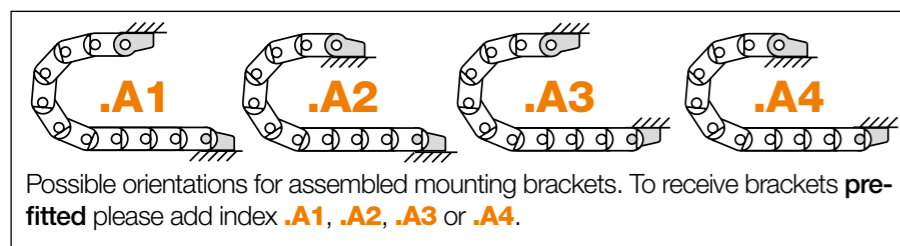




**Polymer pivoting** | Recommended for unsupported applications  
**Polymer locking** | Recommended for vertical hanging and standing applications

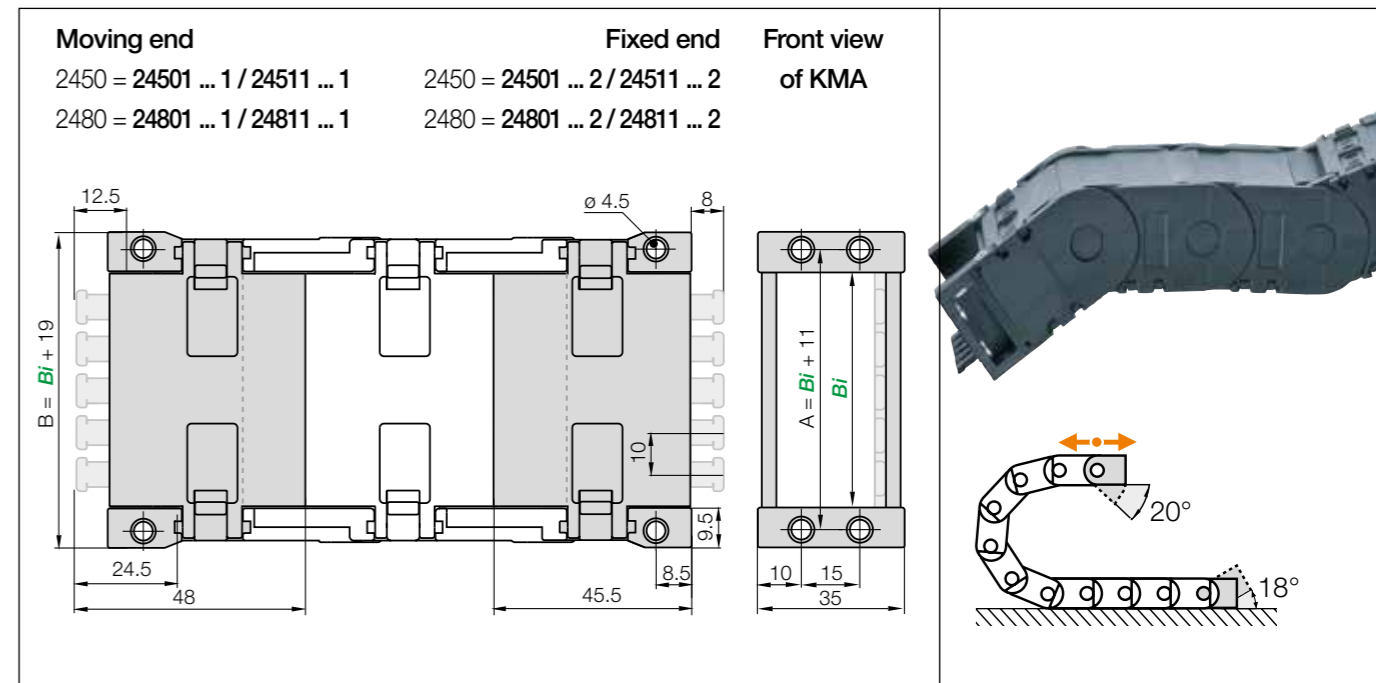
Width index	Part No. full set pivoting		Part No. full set locking		A [mm]	Number of teeth
	with tiewrap plates	without tiewrap plate	with tiewrap plates	without tiewrap plate		
02.	2020.34PZB+	2020.34PZ+	2020.12PZB+	2020.12PZ+	12	3
03.	2030.34PZB+	2030.34PZ+	2030.12PZB+	2030.12PZ+	25	4
05.	2050.34PZB+	2050.34PZ+	2050.12PZB+	2050.12PZ+	44	6
07.	2070.34PZB+	2070.34PZ+	2070.12PZB+	2070.12PZ+	64	8
09.	2090.34PZB+	2090.34PZ+	2090.12PZB+	2090.12PZ+	77	9
10.	2100.34PZB+	2100.34PZ+	2100.12PZB+	2100.12PZ+	90	10
12.	2125.34PZB+	2125.34PZ+	2125.12PZB+	2125.12PZ+	112	12

Full set with tiewrap plate + 10 cable tiewraps, please add index **K1**. Example: 2020.34PZBK1+



**2020.34PZB+.A1** Order example  
 .A... to indicate option with brackets pre-fitted  
 With integrated strain relief tiewrap plates  
 Full set  
 Series

**Strain relief** e.g. clamps, tiewrap plates, nuggets and plug-in clips are available from stock. The complete chainfix range with ordering options ▶ From page 1300



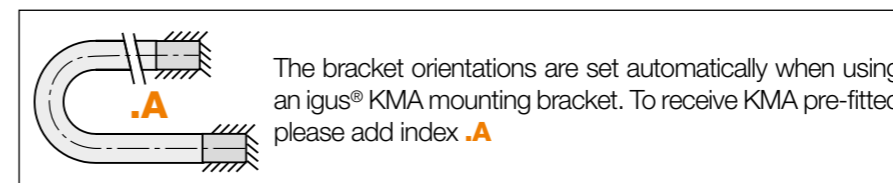
**KMA pivoting** | Recommended for unsupported applications  
**KMA locking** | Recommended for vertical hanging and standing applications

Width index	Part No. full set KMA pivoting <sup>1)</sup>		Part No. full set KMA locking <sup>2)</sup>		A [mm]	B [mm]	Number of teeth
	with tiewrap plates	without tiewrap plate	with tiewrap plates	without tiewrap plate			
02.	24501   24801 .02.12ZB	24501   24801 .02.12	24511   24811 .02.12ZB	24511   24811 .02.12	36	44	2
03.	24501   24801 .03.12ZB	24501   24801 .03.12	24511   24811 .03.12ZB	24511   24811 .03.12	49	57	4
05.	24501   24801 .05.12ZB	24501   24801 .05.12	24511   24811 .05.12ZB	24511   24811 .05.12	68	76	6
07.	24501   24801 .07.12ZB	24501   24801 .07.12	24511   24811 .07.12ZB	24511   24811 .07.12	88	86	7
09.	24501   24801 .09.12ZB	24501   24801 .09.12	24511   24811 .09.12ZB	24511   24811 .09.12	100	108	9
10.	24501   24801 .10.12ZB	24501   24801 .10.12	24511   24811 .10.12ZB	24511   24811 .10.12	114	122	10
12.	24501   24801 .12.12ZB	24501   24801 .12.12	24511   24811 .12.12ZB	24511   24811 .12.12	136	144	12

1) KMA pivoting Part No. 24501 for half e-tube series 2450 / KMA pivoting Part No. 24801 for full e-tube series 2480

2) KMA locking Part No. 24511 for half e-tube series 2450 / KMA locking Part No. 24811 for full e-tube series 2480

(KMA = polymer metal mounting bracket)



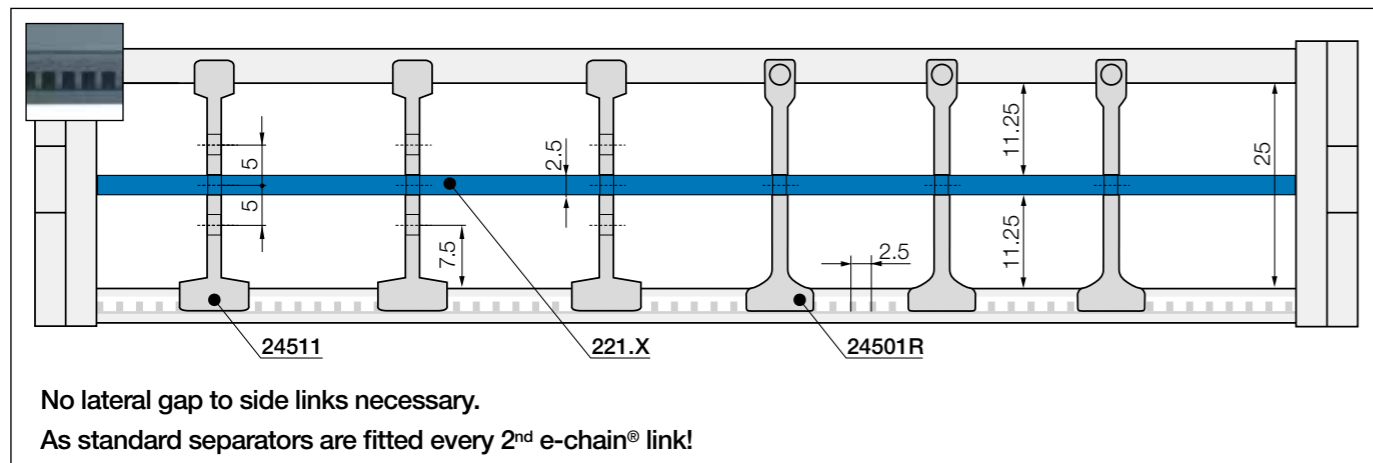
**24501.02.12ZB.A** Order example  
 .A... to indicate option with brackets pre-fitted  
 With integrated strain relief tiewrap plates  
 Full set  
 Width index  
 Series



**Option: steel mounting bracket, pivoting.** For e-chains® and e-tubes, Part No. 2000.32  
 ● Pivoting connections ● One part (2-piece) for all e-chain® widths ● Electrically conductive

**Strain relief** e.g. clamps, tiewrap plates, nuggets and plug-in clips are available from stock. The complete chainfix range with ordering options ▶ From page 1300

Interior separation



**Slotted separator**  
unassembled **24501**  
assembled **24511**

**Slotted separator**  
Vertical separation in e-chains®. The slot allows basic vertical/horizontal shelving arrangements.

**Notch separator for notched crossbar**  
unassembled **24501R**  
assembled **24501R.1**

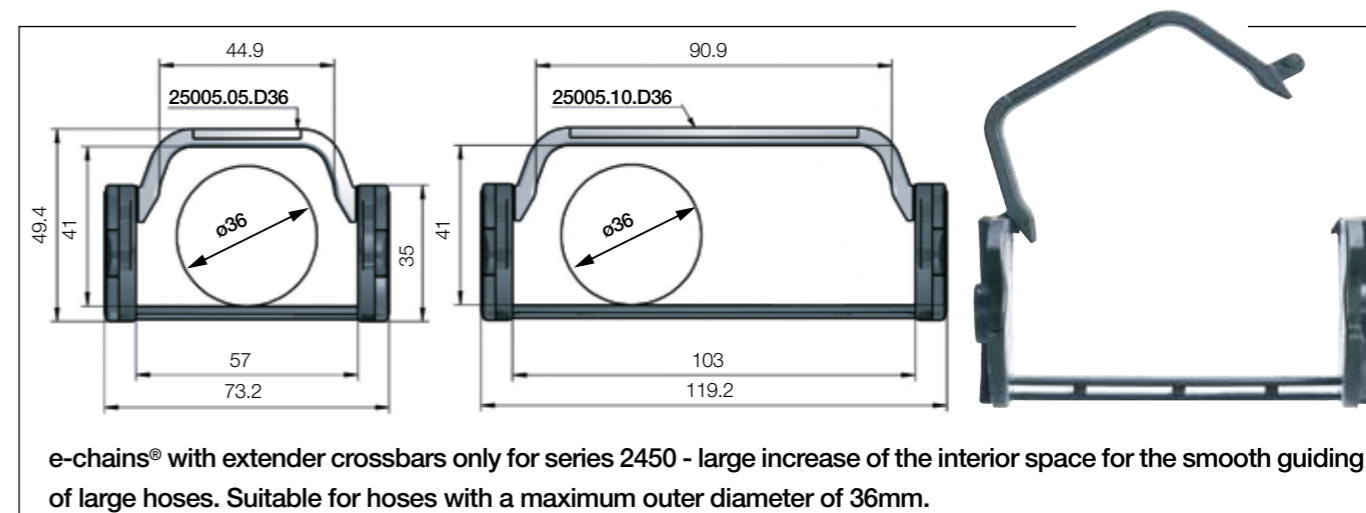
**Locks securely in preset increments**  
Notch separator for exact positioning in e-chains®. Recommended for side-mounted applications.  
Note: For this series notches only on fixed crossbars, not on openable crossbars/lids

**Full-width shelf for e-tubes**  
unassembled **220.X**  
assembled **221.X**

**Full-width shelf**  
This option is for applications with many small cables with similar diameters. For full width separation.

Full-width shelves Width = X [mm]	X [mm]		X [mm]		X [mm]	
	unassembled	assembled	unassembled	assembled	unassembled	assembled
	025	220.25	221.25	077	220.77	221.77
	038	220.38	221.38	090	220.90	221.90
	057	220.57	221.57	103	220.103	221.103

e-chains® with extender crossbar | Product Range



Part No. half e-tubes extender crossbars openable along the inner radius	Bi	Ba	R Available bend radii							
	[mm]	[mm]	[mm]	[mm]	[mm]	[mm]	[mm]	[mm]	[mm]	[mm]
2450.05 D36 .R.0	57	73	075	100	125	150	175	200	225	250
2450.10 D36 .R.0	103	119	075	100	125	150	175	200	225	250

Complete Part No. with required radius (R). Example: 2450.05D36.100.0

**Separator with integrated strain relief teeth**

- Can be integrated into the mounting bracket or placed at any point in the e-chain®
- Combines strain relief and interior separation, for restricted space conditions
- Strain relief separator is easy to assemble without any screws

Part No. 2020.ZR. More information ► From page 1326

**Aluminium support tray**

- Corrosion-resistant and seawater-resistant aluminium rails with adjustable width
- Noise-reducing glide strip integrated as standard
- Easy installation and connection of the e-chain®
- Open design - dirt and debris fall through

More information ► From page 1270





e-chains® | Series 2600 | Crossbars openable along the inner radius, from both sides  
 e-chains® | Series 2700 | Crossbars openable along the outer radius, from both sides

Part No. e-chains® openable along inner radius	Part No. e-chains® openable along outer radius	Bi [mm]	Ba [mm]	R Available bend radii [mm]	2600 [kg/m]	2700 [kg/m]
2600.05.R.0	2700.05.R.0 <sup>1)</sup>	50	66	063   075   100   125   150   175   200   250	≈ 1.17	≈ 1.17
2600.06.R.0	2700.06.R.0 <sup>1)</sup>	65	81	063   075   100   125   150   175   200   250	≈ 1.24	≈ 1.24
2600.07.R.0	2700.07.R.0 <sup>1)</sup>	75	91	063   075   100   125   150   175   200   250	≈ 1.30	≈ 1.30
2600.09.R.0	2700.09.R.0 <sup>1)</sup>	90	106	063   075   100   125   150   175   200   250	≈ 1.37	≈ 1.37
2600.10.R.0	2700.10.R.0 <sup>1)</sup>	100	116	063   075   100   125   150   175   200   250	≈ 1.39	≈ 1.39
2600.12.R.0	2700.12.R.0 <sup>1)</sup>	125	141	063   075   100   125   150   175   200   250	≈ 1.48	≈ 1.48
2600.15.R.0	2700.15.R.0	150	166	063   075   100   125   150   175   200   250	≈ 1.62	≈ 1.62
2600.17.R.0	2700.17.R.0	175	194	063   075   100   125   150   175   200   250	≈ 1.85	≈ 1.85

1) Available as ESD version from stock

Half e-tubes, series 2650 and full e-tubes, series 2680 ▶ From page 400

Complete Part No. with required radius (R). Example: 2700.05.100.0

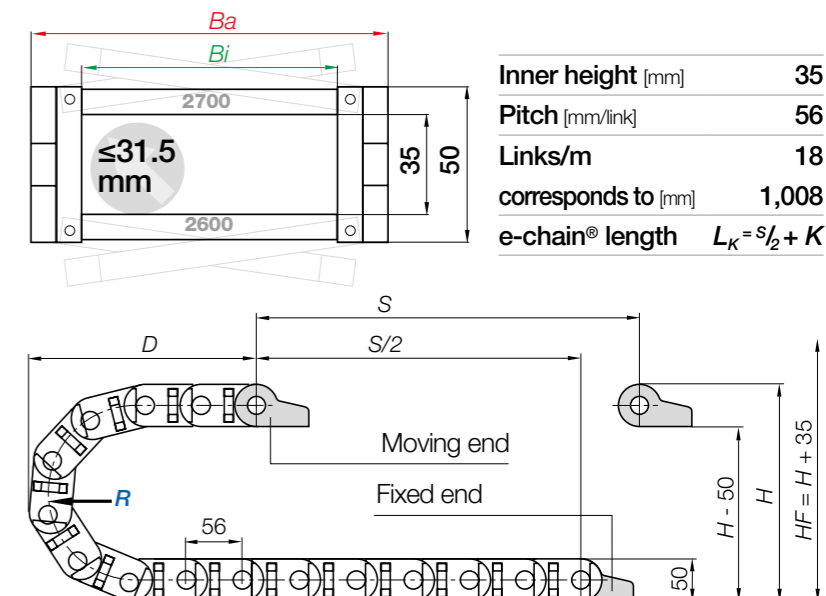
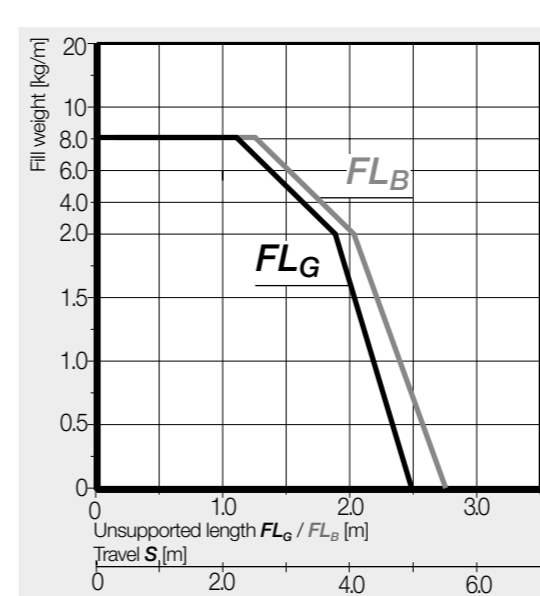
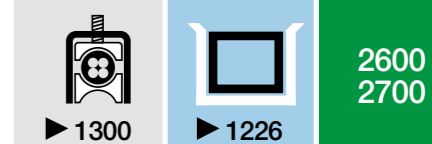
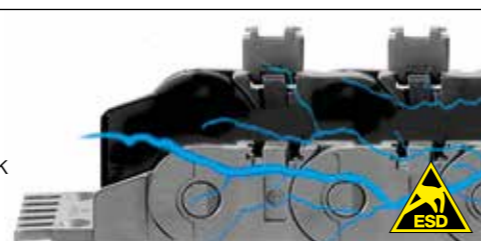


**Reduce assembly time - E2/000 e-chain® opener**

- Reduce opening times from 33 to 2 seconds
- Open a long e-chain® section in one go
- For widths Bi [mm]: 06, 07, 09, 10
- Part No. 908.254.2600 for series 2600/2700
- More information ▶ [www.igus.eu/E2opener](http://www.igus.eu/E2opener)

**ESD - many sizes from stock**

- Standardised product made from igumid ESD
- ESD material tested with over 10 million cycles for the toughest requirements
- Short delivery times including mounting brackets and interior separation; 24hrs, from stock
- More information ▶ [www.igus.eu/esd](http://www.igus.eu/esd)

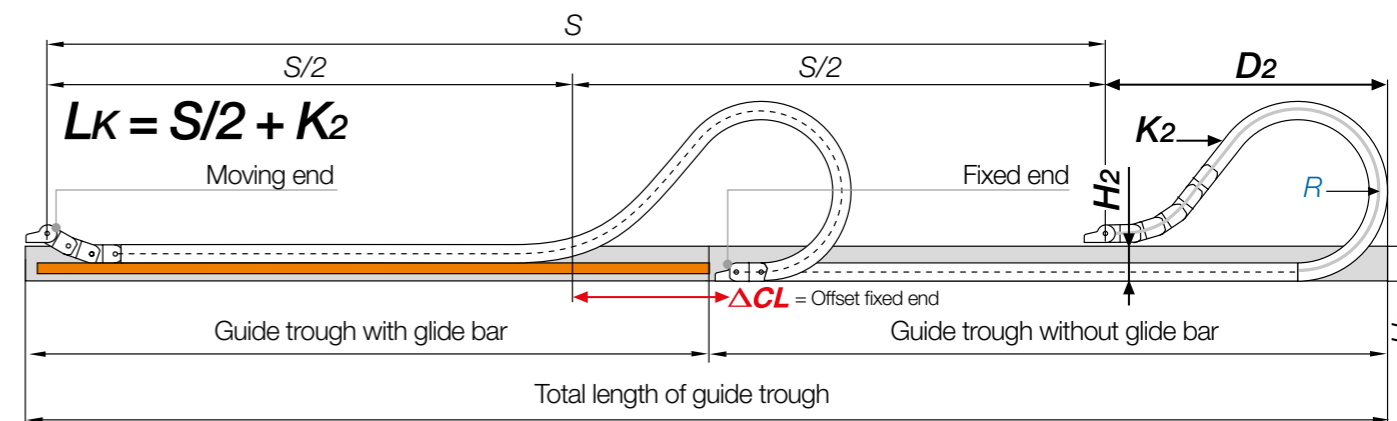


R	063	075	100	125	150	175	200	250
H	176	200	250	300	350	400	450	550
D	172	184	209	234	259	284	309	359
K	310	350	430	505	585	665	745	900

The required clearance height:  $H_F = H + 35\text{mm}$  (with 2.0kg/m fill weight)

Before using series 2600 on long travels please consult igus®.

**Gliding applications | For long travels from 10m to max. 120m**



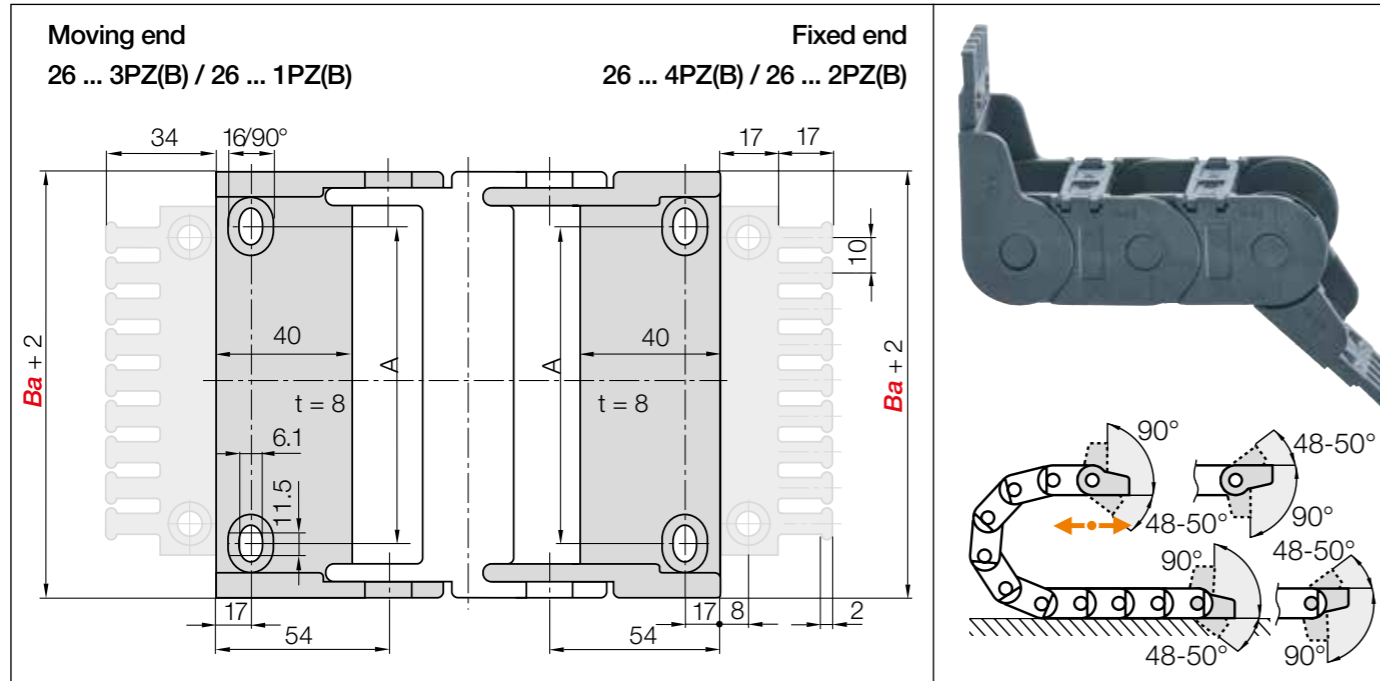
**Note:** before using series 2600/2650/2680 on long travels please consult igus®.

For long travels, igus® recommends series 2700 openable along the outer radius.

In case of travels between 5 and 10m we recommend an e-chain® with a longer unsupported length.

R	063	075	100	125	150	175	200	250
H <sub>2</sub>	130	150	166	166	166	166	166	166
D <sub>2</sub> <sup>+25</sup>	140	150	395	510	545	700	805	995
K <sub>2</sub>	335	375	616	784	896	1,120	1,288	1,624
ΔCL	-	-	144	244	244	374	464	594

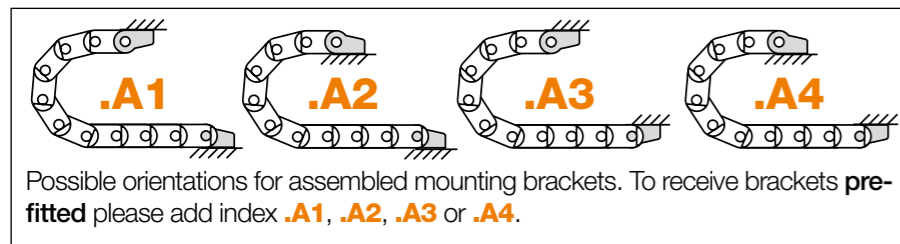
Before using series 2600 on long travels please consult igus®.



**Polymer pivoting** | Recommended for unsupported and gliding applications  
**Polymer locking** | Recommended for vertical hanging and standing applications

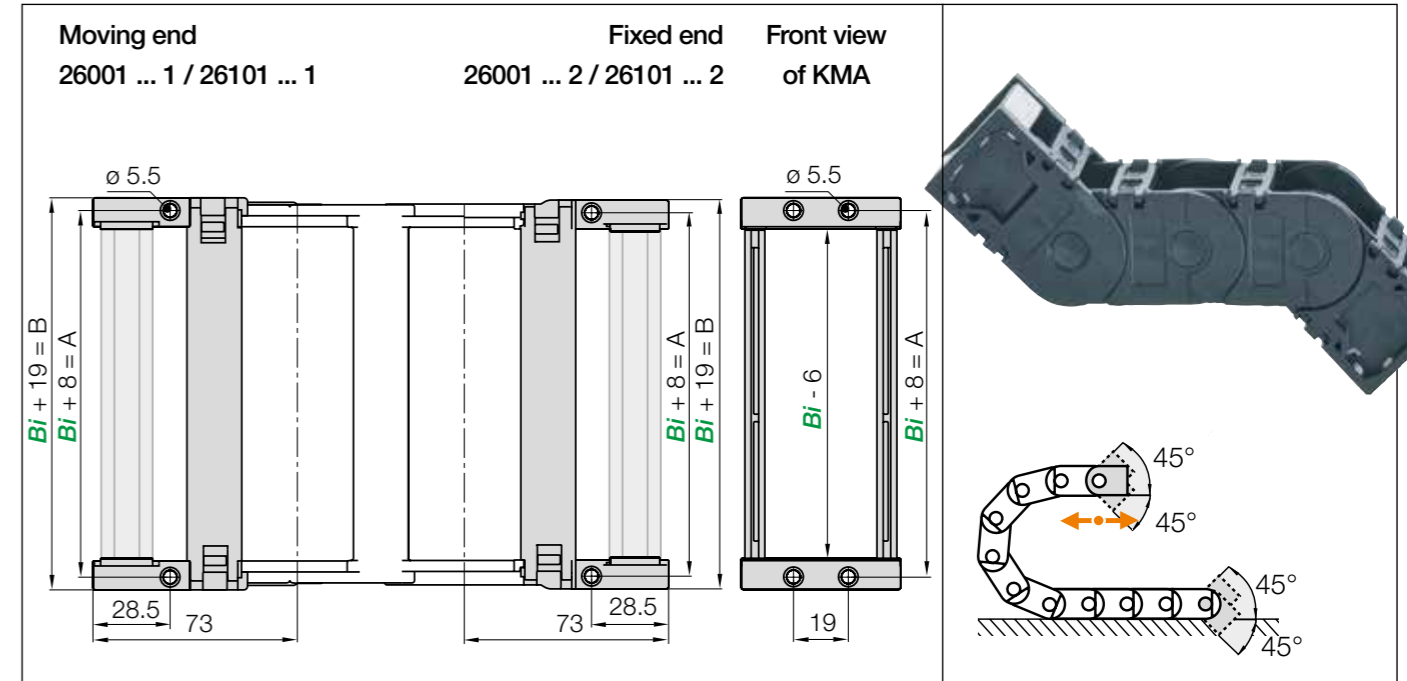
Width index	Part No. full set pivoting		Part No. full set locking		A [mm]	Number of teeth
	with tiewrap plates	without tiewrap plate	with tiewrap plates	without tiewrap plate		
05.	2605.34PZB	2605.34PZ	2605.12PZB	2605.12PZ	30	5
06.	2606.34PZB	2606.34PZ	2606.12PZB	2606.12PZ	45	5
07.	2607.34PZB	2607.34PZ	2607.12PZB	2607.12PZ	55	7
09.	2609.34PZB	2609.34PZ	2609.12PZB	2609.12PZ	70	9
10.	2610.34PZB	2610.34PZ	2610.12PZB	2610.12PZ	80	10
12.	2612.34PZB	2612.34PZ	2612.12PZB	2612.12PZ	105	12
15.	2615.34PZB	2615.34PZ	2615.12PZB	2615.12PZ	130	15
17.	2617.34PZB	2617.34PZ	2617.12PZB	2617.12PZ	155	17

Full set with tiewrap plate + 10 cable tiewraps, please add index **K1**. Example: 2605.34PZBK1



**2605.34PZB.A1** Order example  
 .A... to indicate option with brackets pre-fitted  
 With integrated strain relief tiewrap plates  
 Full set  
 Series

**Strain relief** e.g. clamps, tiewrap plates, nuggets and plug-in clips are available from stock. The complete chainfix range with ordering options ▶ From page 1300

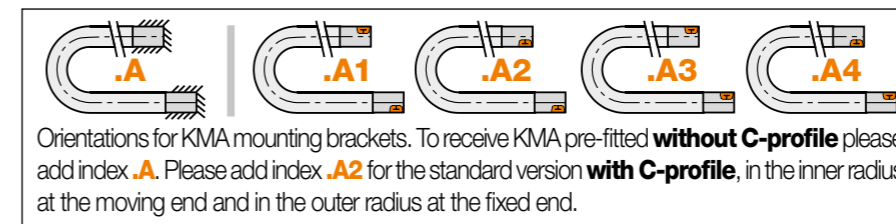


**KMA pivoting** | Recommended for unsupported and gliding applications  
**KMA locking** | Recommended for vertical hanging and standing applications

Width index	Part No. full set KMA pivoting		Part No. full set KMA locking		A [mm]	B [mm]
	with C-profile	without C-profile	with C-profile	without C-profile		
05.	26001.05.12.C	26001.05.12	26101.05.12.C	26101.05.12	58	69
06.	26001.06.12.C	26001.06.12	26101.06.12.C	26101.06.12	73	84
07.	26001.07.12.C	26001.07.12	26101.07.12.C	26101.07.12	83	94
09.	26001.09.12.C	26001.09.12	26101.09.12.C	26101.09.12	98	109
10.	26001.10.12.C	26001.10.12	26101.10.12.C	26101.10.12	108	119
12.	26001.12.12.C	26001.12.12	26101.12.12.C	26101.12.12	133	144
15.	26001.15.12.C	26001.15.12	26101.15.12.C	26101.15.12	158	169
17.	26001.17.12.C	26001.17.12	26101.17.12.C	26101.17.12	183	194

KMA pivoting to one end: moving end 26101...3 / fixed end 26101...4

(KMA = polymer metal mounting bracket)



**26001.05.12.C.A2** Order example  
 .A... to indicate option with brackets pre-fitted  
 C-profile option  
 Full set  
 Width index  
 Series



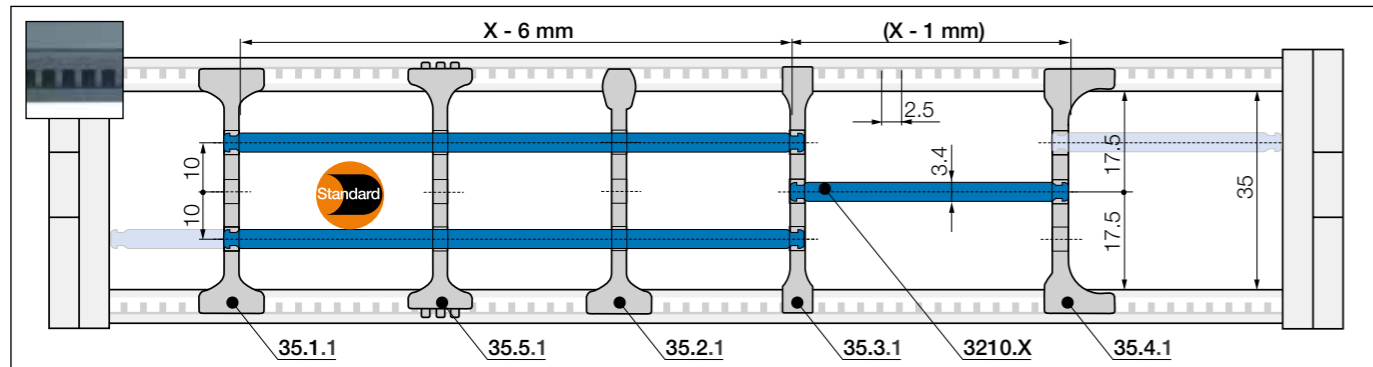
Option: steel mounting bracket, locking. For e-chains® and e-tubes, Part No. 260.12  
 ● Locking connections ● One part (2-piece) for all e-chain® widths ● Electrically conductive

**Strain relief** e.g. clamps, tiewrap plates, nuggets and plug-in clips are available from stock. The complete chainfix range with ordering options ▶ From page 1300



Interior separation | Increase cable service life

Previous generation of interior separation with other options ► [www.igus.eu/2600](http://www.igus.eu/2600) ► [www.igus.eu/2700](http://www.igus.eu/2700)



No lateral gap to side links necessary.  
As standard separators are fitted every 2<sup>nd</sup> e-chain® link!

**Standard separator, wide base**

unassembled	35.1
assembled	35.1.1

**Standard - for any application**  
Separator with a wide base for maximum holding force in the e-chain®.

**Separator, narrow top**

unassembled	35.2
assembled	35.2.1

**For even faster installation**  
Wide on one side for high holding force, narrow on opposite side for easy cable fitting.

**Separator, narrow**

unassembled	35.3
assembled	35.3.1

**For small cables**  
Separator with a narrow base for a large number of small cables side by side. Saves space in the e-chain®.

**Separator, asymmetrical**

unassembled	35.4
assembled	35.4.1

**For side-mounted applications**  
Asymmetrical separator, for defined gap distance. No additional spacers required.

**Notch separator for notched crossbar**

unassembled	35.5
assembled	35.5.1

**Locks securely in preset increments**  
Notch separator for exact positioning in e-chains®. Recommended for side-mounted applications.

**Shelf, lockable**

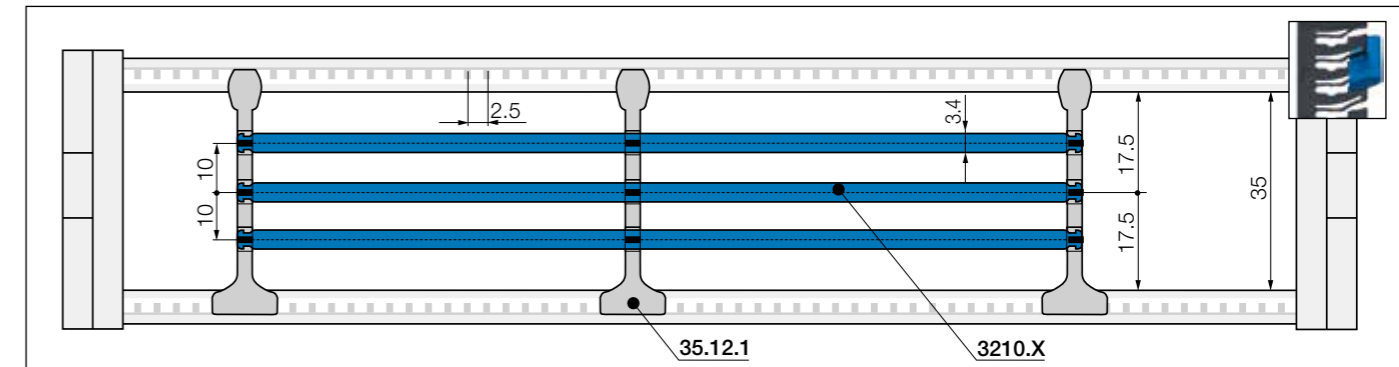
unassembled	3200.X
assembled	3210.X

**Horizontal separation**  
Full-width shelf locks securely into separators at both ends, giving a fixed width. Can be used as full-width or partial shelf.

Shelves Width = X [mm]	X [mm]		X [mm]		X [mm]	
	unassembled	assembled	unassembled	assembled	unassembled	assembled
	050	3200.050	3210.050	125	3200.125	3210.125
	075	3200.075	3210.075	150	3200.150	3210.150
	100	3200.100	3210.100	175	3200.175	3210.175
	115	3200.115	3210.115	200	3200.200	3210.200



Interior separation | To allow faster filling **New**



No lateral gap to side links necessary.  
As standard separators are fitted every 2<sup>nd</sup> e-chain® link!

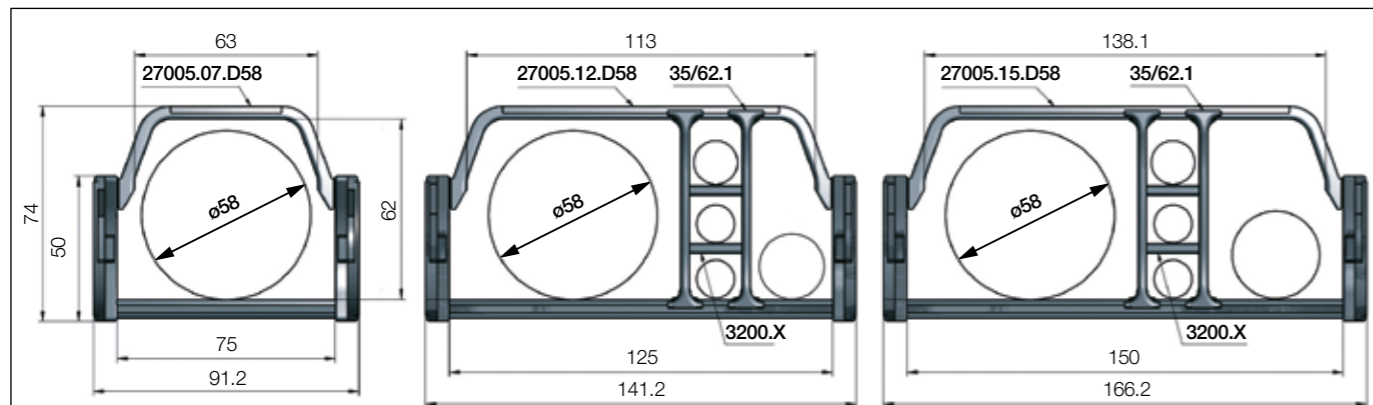
**Lean separator**

unassembled	35.12
assembled	35.12.1

**Lean separators**  
New design allows extremely fast fitting of shelves in several layers, which significantly reduces assembly time. Enables extremely fast replacement of individual cables in a very full e-chain®.

**Lean separator design - several layers of cables fitted quickly, save up to 50%\* assembly time**  
(\*Lean separator vs. standard separator - measured on a 4m long e-chain® fitted with 12 cables in the igus® readychain® factory)






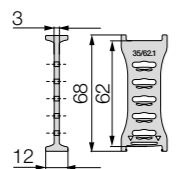

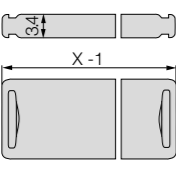
e-chains® with extender crossbars - large increase of the interior space for the smooth guiding of large hoses.  
Suitable for hoses with a maximum outer diameter of 58mm.

Part No. e-chains® extender crossbars openable along inner radius	Part No. e-chains® extender crossbars openable along outer radius	Bi [mm]	Ba [mm]	R Available bend radii [mm]
2600.07 D58 .R.0	2700.07 D58 .R.0	75	91	063*   075*   100   125   150   175   200   250
2600.12 D58 .R.0	2700.12 D58 .R.0	125	141	063*   075*   100   125   150   175   200   250
2600.15 D58 .R.0	2700.15 D58 .R.0	150	166	063*   075*   100   125   150   175   200   250

\*Radius 063 and 075 only possible with e-chains® series 2700, openable along outer radius!

Complete Part No. with required radius (R). Example: 2700.15D58.100.0

### Interior separation for e-chains® with extender crossbars

		<b>Separator e-chain® with extender crossbars</b> unassembled 35/62.1 assembled 35/62.1.1
		<b>Shelf, lockable</b> unassembled 3200.X assembled 3210.X

#### Standard separator, wide base

Separator with a wide base for maximum holding force in the e-chain®. As standard separators are fitted every 2<sup>nd</sup> e-chain® link!

#### Horizontal separation

Full-width shelf locks securely into separators at both ends, giving a fixed width. Can be used as full-width or partial shelf.

#### Separator with integrated strain relief teeth

- Can be integrated into the mounting bracket or placed at any point in the e-chain®
  - Combines strain relief and interior separation, for restricted space conditions
  - Strain relief separator is easy to assemble without any screws
- Part No. 262.Z. More information ► From page 1326



#### Aluminium support tray

- Corrosion-resistant and seawater-resistant aluminium rails with adjustable width
  - Noise-reducing glide strip integrated as standard
  - Easy installation and connection of the e-chain®
  - Open design - dirt and debris fall through
- More information ► From page 1270



Telescopic loader - an E2/000 e-chain® guides the hydraulic hoses via the telescopic mast to the attachment





**Half e-tubes | Series 2650** | Crossbars openable along inner radius from both sides, closed along outer radius  
**Full e-tubes | Series 2680** | Lids openable along inner radius from both sides, fully enclosed

Part No. half e-tubes openable along the inner radius	Part No. full e-tubes openable along the inner radius	Bi [mm]	Ba [mm]	R Available bend radii [mm]											2650 [kg/m]	2680 [kg/m]
				063*	075*	100	125	150	175	200	250					
2650.05.R.0	2680.05.R.0	50	66	063*	075*	100	125	150	175	200	250	≈ 1.25	≈ 1.33			
2650.06.R.0	2680.06.R.0	65	81	063*	075*	100	125	150	175	200	250	≈ 1.36	≈ 1.43			
2650.07.R.0	2680.07.R.0	75	91	063*	075*	100	125	150	175	200	250	≈ 1.40	≈ 1.51			
2650.09.R.0	2680.09.R.0	90	106	063*	075*	100	125	150	175	200	250	≈ 1.55	≈ 1.62			
2650.10.R.0	2680.10.R.0	100	116	063*	075*	100	125	150	175	200	250	≈ 1.61	≈ 1.81			
2650.12.R.0	2680.12.R.0	125	141	063*	075*	100	125	150	175	200	250	≈ 1.70	≈ 1.99			
2650.15.R.0	2680.15.R.0	150	166	063*	075*	100	125	150	175	200	250	≈ 1.80	≈ 2.17			
2650.17.R.0	2680.17.R.0	175	194	063*	075*	100	125	150	175	200	250	≈ 2.00	≈ 2.35			

\*Radius available upon request. Please consult igus® for price and delivery time.

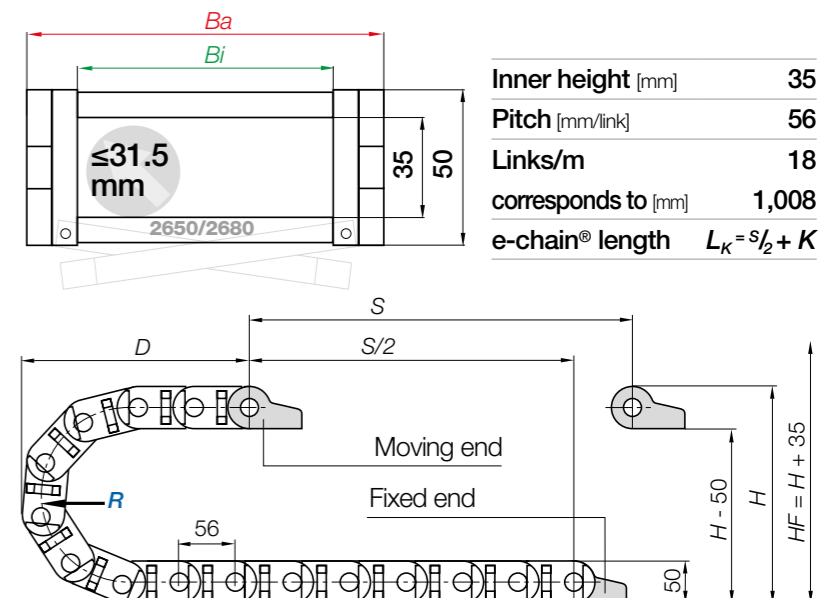
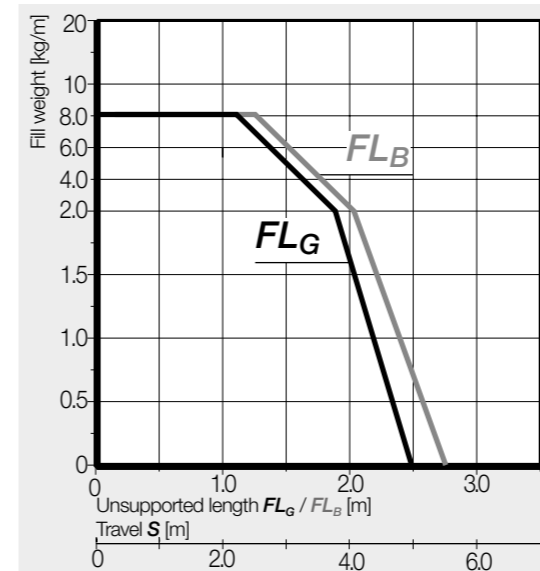
Radii 063, 075: the e-tube is not completely enclosed. Please consult igus®.

Complete Part No. with required radius (R). Example: 2650.05.100.0



**Reduce assembly time - E2/000 e-chain® opener**

- Reduce opening times from 33 to 2 seconds
  - Open a long e-chain® section in one go
  - For widths Bi [mm]: 06, 07, 09, 10
  - Part No. 908.254.2600 for series 2650
- More information ► [www.igus.eu/E2opener](http://www.igus.eu/E2opener)

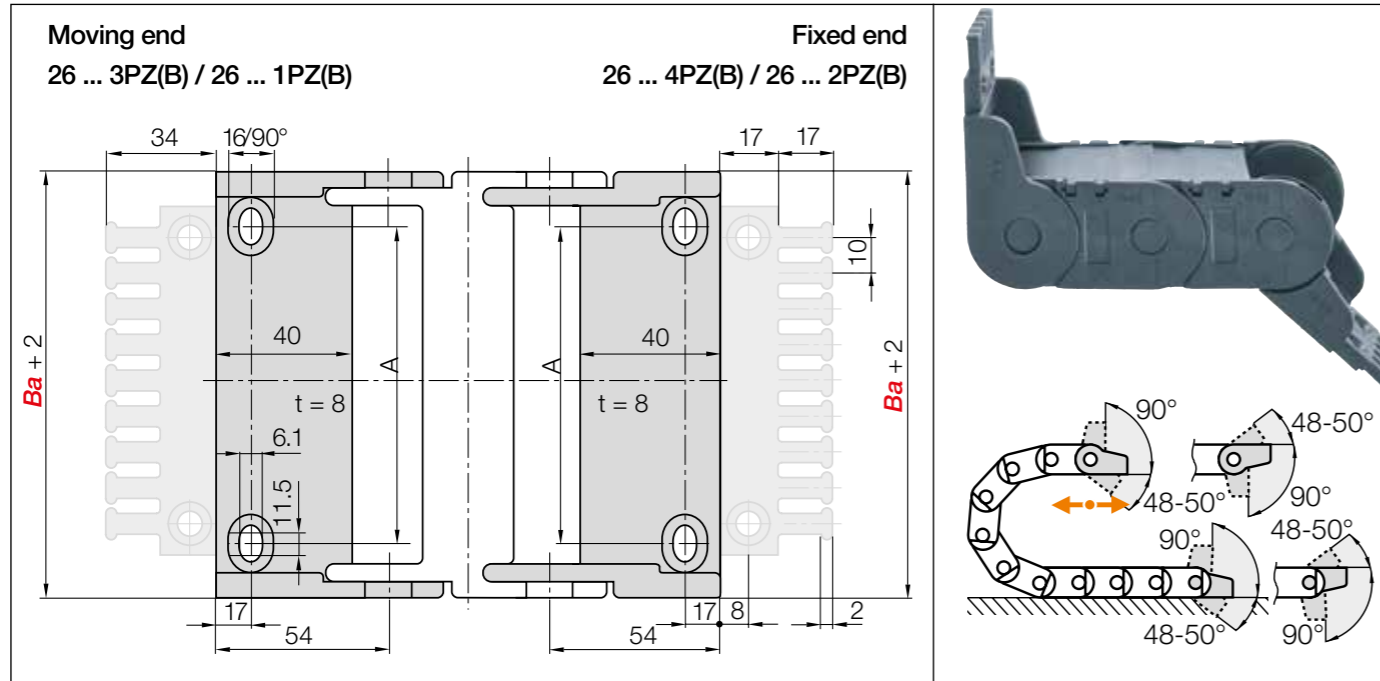


R	063*	075*	100	125	150	175	200	250
H	176	200	250	300	350	400	450	550
D	172	184	209	234	259	284	309	359
K	310	350	430	505	585	665	745	900

The required clearance height:  $H_F = H + 35\text{mm}$  (with 2.0kg/m fill weight)

\*Radius available upon request. Please consult igus® for delivery time. Before using series 2650/2680 on long travels please consult igus®.

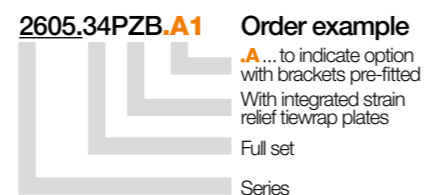
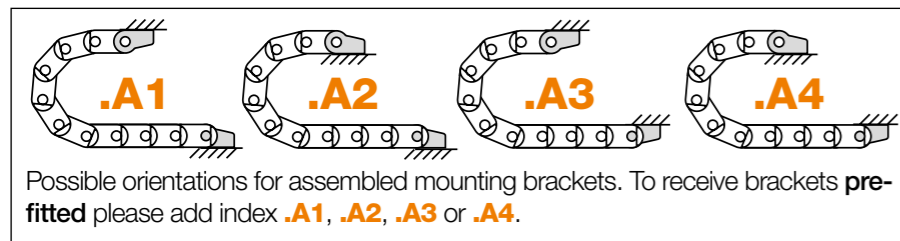
**i** If a gliding application is required for a long travel, please consult igus®.



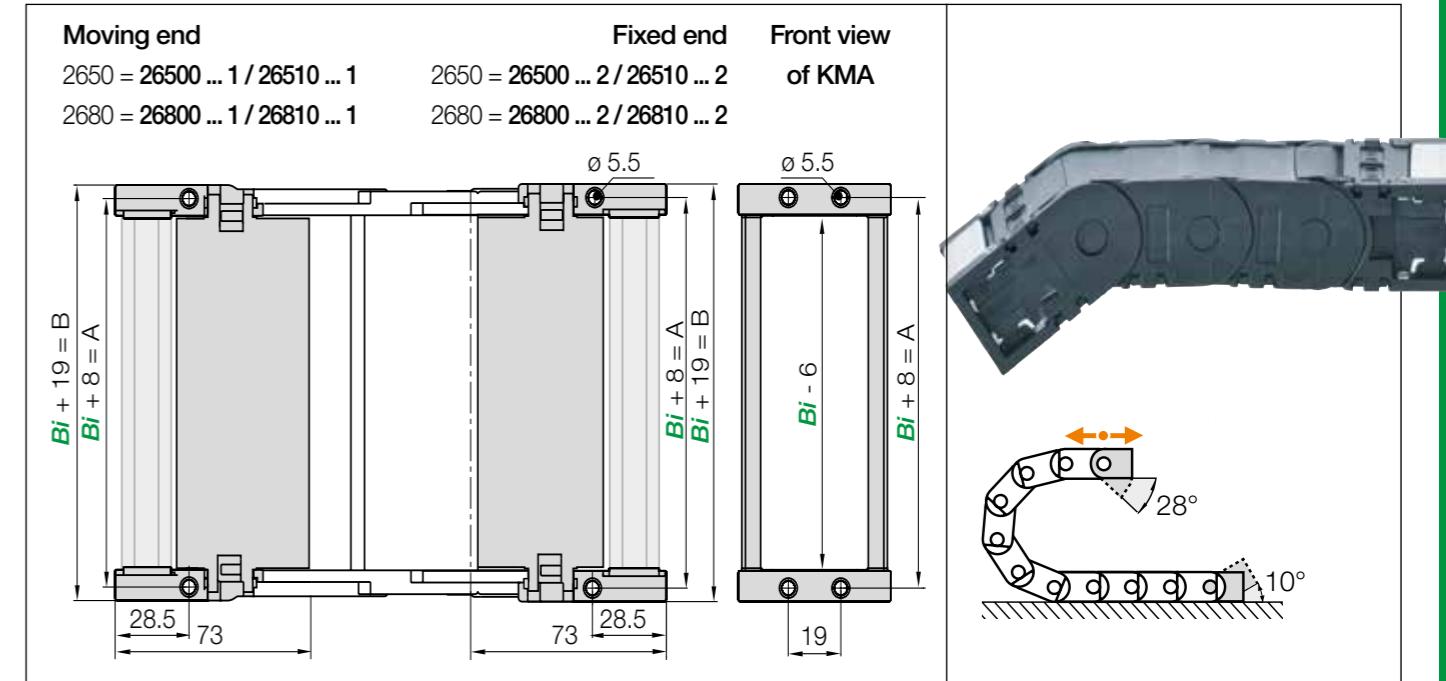
**Polymer pivoting** | Recommended for unsupported applications  
**Polymer locking** | Recommended for vertical hanging and standing applications

Width index	Part No. full set pivoting		Part No. full set locking		A [mm]	Number of teeth
	with tiewrap plates	without tiewrap plate	with tiewrap plates	without tiewrap plate		
05.	2605.34PZB	2605.34PZ	2605.12PZB	2605.12PZ	30	5
06.	2606.34PZB	2606.34PZ	2606.12PZB	2606.12PZ	45	5
07.	2607.34PZB	2607.34PZ	2607.12PZB	2607.12PZ	55	7
09.	2609.34PZB	2609.34PZ	2609.12PZB	2609.12PZ	70	9
10.	2610.34PZB	2610.34PZ	2610.12PZB	2610.12PZ	80	10
12.	2612.34PZB	2612.34PZ	2612.12PZB	2612.12PZ	105	12
15.	2615.34PZB	2615.34PZ	2615.12PZB	2615.12PZ	130	15
17.	2617.34PZB	2617.34PZ	2617.12PZB	2617.12PZ	155	17

Full set with tiewrap plate + 10 cable tiewraps, please add index **K1**. Example: 2605.34PZBK1



**Strain relief** e.g. clamps, tiewrap plates, nuggets and plug-in clips are available from stock. The complete chainfix range with ordering options ▶ From page 1300



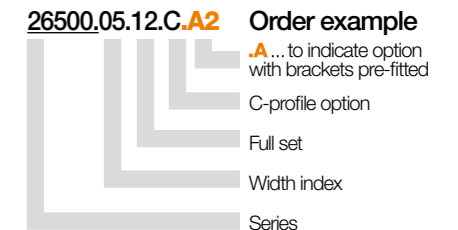
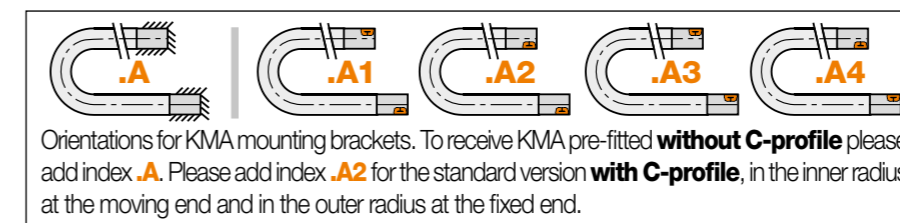
**KMA pivoting** | Recommended for unsupported applications  
**KMA locking** | Recommended for vertical hanging and standing applications

Width index	Part No. full set KMA pivoting <sup>1)</sup>		Part No. full set KMA locking <sup>2)</sup>		A [mm]	B [mm]
	with C-profile	without C-profile	with C-profile	without C-profile		
05.	26500   26800.05.12.C	26500   26800.05.12	26510   26810.05.12.C	26510   26810.05.12	58	69
06.	26500   26800.06.12.C	26500   26800.06.12	26510   26810.06.12.C	26510   26810.06.12	73	84
07.	26500   26800.07.12.C	26500   26800.07.12	26510   26810.07.12.C	26510   26810.07.12	83	94
09.	26500   26800.09.12.C	26500   26800.09.12	26510   26810.09.12.C	26510   26810.09.12	98	109
10.	26500   26800.10.12.C	26500   26800.10.12	26510   26810.10.12.C	26510   26810.10.12	108	119
12.	26500   26800.12.12.C	26500   26800.12.12	26510   26810.12.12.C	26510   26810.12.12	133	144
15.	26500   26800.15.12.C	26500   26800.15.12	26510   26810.15.12.C	26510   26810.15.12	158	169
17.	26500   26800.17.12.C	26500   26800.17.12	26510   26810.17.12.C	26510   26810.17.12	183	194

1) KMA pivoting Part No. 26500 for half e-tube series 2650 / KMA pivoting Part No. 26800 for full e-tube series 2680

2) KMA locking Part No. 26510 for half e-tube series 2650 / KMA locking Part No. 26810 for full e-tube series 2680

(KMA = polymer metal mounting bracket)



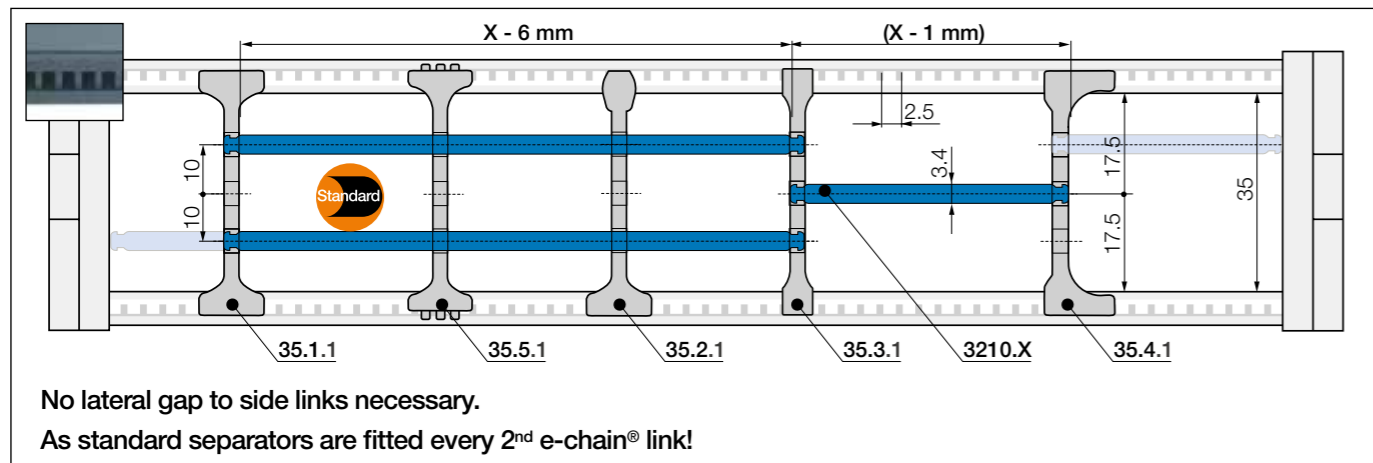
**Option: steel mounting bracket, locking.** For e-chains® and e-tubes, Part No. 260.12  
 ● Locking connections ● One part (2-piece) for all e-chain® widths ● Electrically conductive

**Strain relief** e.g. clamps, tiewrap plates, nuggets and plug-in clips are available from stock. The complete chainfix range with ordering options ▶ From page 1300



Interior separation | Increase cable service life

Previous generation of interior separation with other options ► [www.igus.eu/2650](http://www.igus.eu/2650) ► [www.igus.eu/2680](http://www.igus.eu/2680)



No lateral gap to side links necessary.  
As standard separators are fitted every 2<sup>nd</sup> e-chain® link!

		<b>Standard separator, wide base</b>
		unassembled <b>35.1</b> assembled <b>35.1.1</b>

**Standard - for any application**  
Separator with a wide base for maximum holding force in the e-chain®.

		<b>Separator, narrow top</b>
		unassembled <b>35.2</b> assembled <b>35.2.1</b>

**For even faster installation**  
Wide on one side for high holding force, narrow on opposite side for easy cable fitting.

		<b>Separator, narrow</b>
		unassembled <b>35.3</b> assembled <b>35.3.1</b>

**For small cables**  
Separator with a narrow base for a large number of small cables side by side. Saves space in the e-chain®.

		<b>Separator, asymmetrical</b>
		unassembled <b>35.4</b> assembled <b>35.4.1</b>

**For side-mounted applications**  
Asymmetrical separator, for defined gap distance. No additional spacers required.

		<b>Notch separator for notched crossbar</b>
		unassembled <b>35.5</b> assembled <b>35.5.1</b>

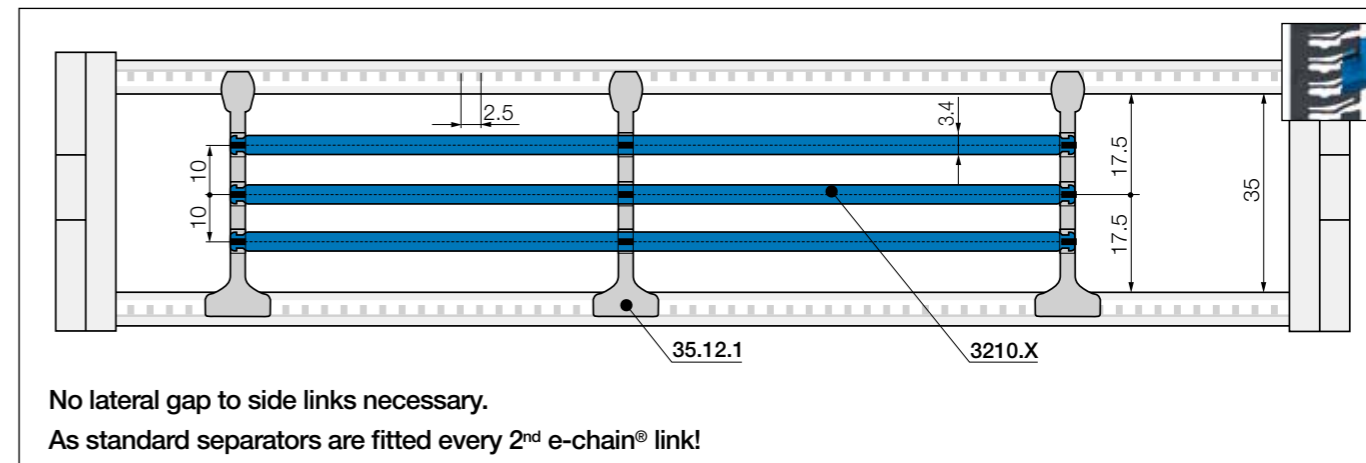
**Locks securely in preset increments**  
Notch separator for exact positioning in e-chains®. Recommended for side-mounted applications.

		<b>Shelf, lockable</b>
		unassembled <b>3200.X</b> assembled <b>3210.X</b>

**Horizontal separation**  
Full-width shelf locks securely into separators at both ends, giving a fixed width. Can be used as full-width or partial shelf.

Shelves Width = X [mm]	X [mm]	unassembled	assembled	X [mm]	unassembled	assembled	X [mm]	unassembled	assembled
		050	3200.050	3210.050	125	3200.125	3210.125	225	3200.225
	075	3200.075	3210.075	150	3200.150	3210.150	250	3200.250	3210.250
	100	3200.100	3210.100	175	3200.175	3210.175			
	115	3200.115	3210.115	200	3200.200	3210.200			

Interior separation | To allow faster filling **New**



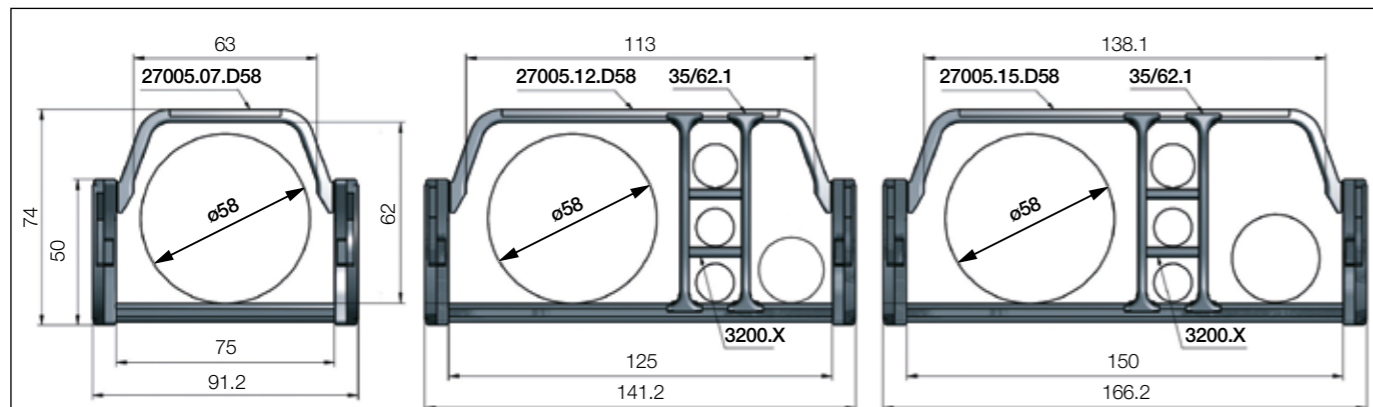
No lateral gap to side links necessary.  
As standard separators are fitted every 2<sup>nd</sup> e-chain® link!

		<b>Lean separator</b>
		unassembled <b>35.12</b> assembled <b>35.12.1</b>

**Lean separators**  
New design allows extremely fast fitting of shelves in several layers, which significantly reduces assembly time. Enables extremely fast replacement of individual cables in a very full e-chain®.

**Lean separator design - several layers of cables fitted quickly, save up to 50%\* assembly time**  
(\*Lean separator vs. standard separator - measured on a 4m long e-chain® fitted with 12 cables in the igus® readychain® factory)





e-chains® with extender crossbars only for series 2650 - large increase of the interior space for the smooth guiding of large hoses. Suitable for hoses with a maximum outer diameter of 58mm.

Part No. half e-tubes extender crossbars openable along the inner radius	<i>Bi</i>	<i>Ba</i>	<i>R</i> Available bend radii					
	[mm]	[mm]	[mm]	[mm]	[mm]	[mm]	[mm]	[mm]
2650.07.D58 .R.0	75	91	100	125	150	175	200	250
2650.12.D58 .R.0	125	141	100	125	150	175	200	250
2650.15.D58 .R.0	150	166	100	125	150	175	200	250

Complete Part No. with required radius (*R*). Example: 2650.15D58.100.0

### Interior separation for e-chains® with extender crossbars

		<b>Separator e-chain® with extender crossbars</b> unassembled 35/62.1 assembled 35/62.1.1
		<b>Shelf, lockable</b> unassembled 3200.X assembled 3210.X

#### Standard separator, wide base

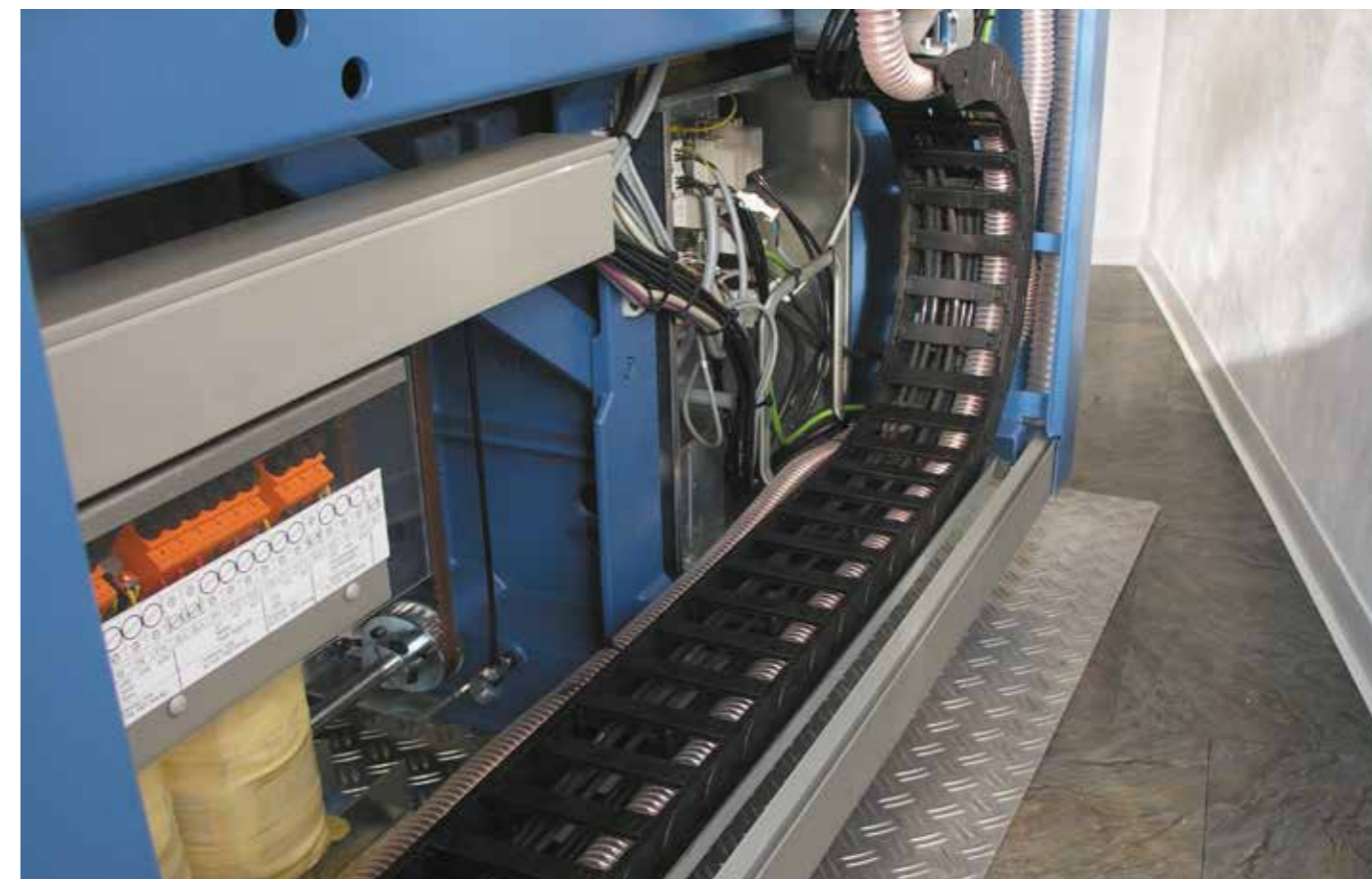
Separator with a wide base for maximum holding force in the e-chain®. As standard separators are fitted every 2<sup>nd</sup> e-chain® link!

#### Horizontal separation

Full-width shelf locks securely into separators at both ends, giving a fixed width. Can be used as full-width or partial shelf.

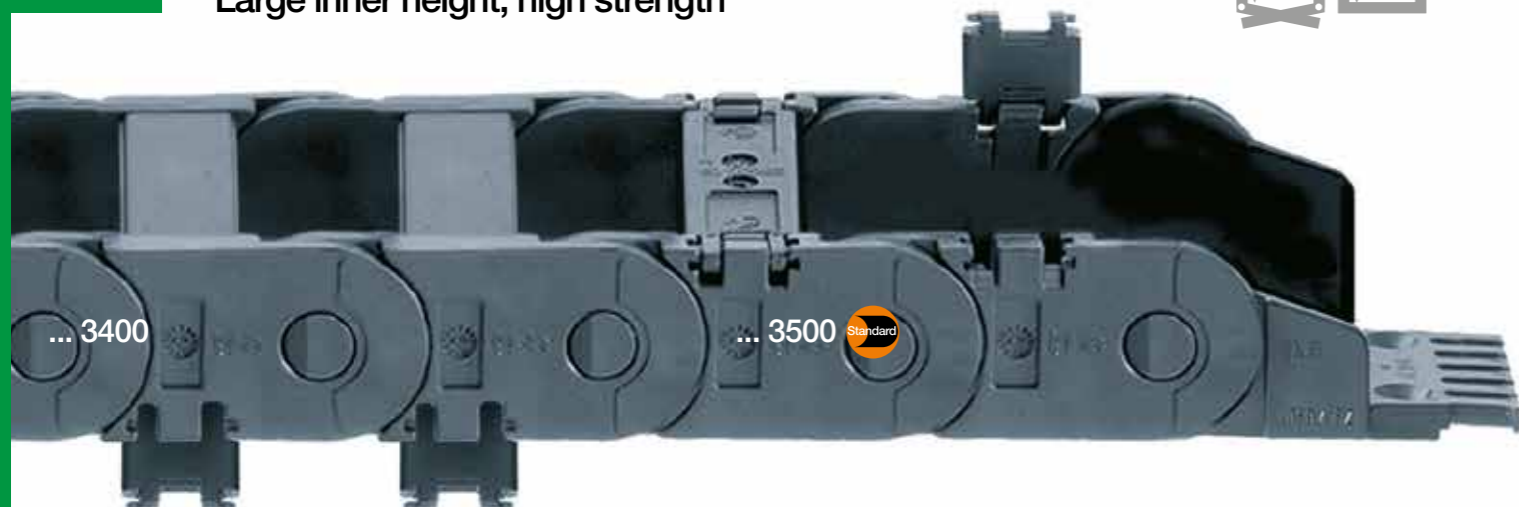
#### Aluminium support tray

- Corrosion-resistant and seawater-resistant aluminium rails with adjustable width
  - Noise-reducing glide strip integrated as standard
  - Easy installation and connection of the e-chain®
  - Open design - dirt and debris fall through
- More information ► From page 1270



Flat knitting machine - the igus® E2/000 system is reliable even at high accelerations and for millions of cycles





e-chains® Series 3400 | Crossbars openable along the inner radius, from both sides  
 e-chains® Series 3500 | Crossbars openable along the outer radius, from both sides

Part No. e-chains® openable along inner radius	Part No. e-chains® openable along outer radius	Bi [mm]	Ba [mm]	R Available bend radii [mm]	3400 [kg/m]	3500 [kg/m]
3400.050 .R.0	3500.050 .R.0	50	70	075   100   125   150   200   250   300	≈ 1.60	≈ 1.60
3400.075 .R.0	3500.075 .R.0	75	95	075   100   125   150   200   250   300	≈ 1.78	≈ 1.78
3400.100 .R.0	3500.100 .R.0	100	120	075   100   125   150   200   250   300	≈ 1.93	≈ 1.93
3400.115 .R.0	3500.115 .R.0	115	135	075   100   125   150   200   250   300	≈ 1.99	≈ 1.99
3400.125 .R.0	3500.125 .R.0	125	145	075   100   125   150   200   250   300	≈ 2.03	≈ 2.03
3400.150 .R.0	3500.150 .R.0	150	170	075   100   125   150   200   250   300	≈ 2.17	≈ 2.17
3400.175 .R.0	3500.175 .R.0	175	195	075   100   125   150   200   250   300	≈ 2.28	≈ 2.28
3400.200 .R.0	3500.200 .R.0	200	220	075   100   125   150   200   250   300	≈ 2.45	≈ 2.45
3400.225 .R.0	3500.225 .R.0	225	245	075   100   125   150   200   250   300	≈ 2.59	≈ 2.59
3400.250 .R.0	3500.250 .R.0	250	270	075   100   125   150   200   250   300	≈ 2.73	≈ 2.73

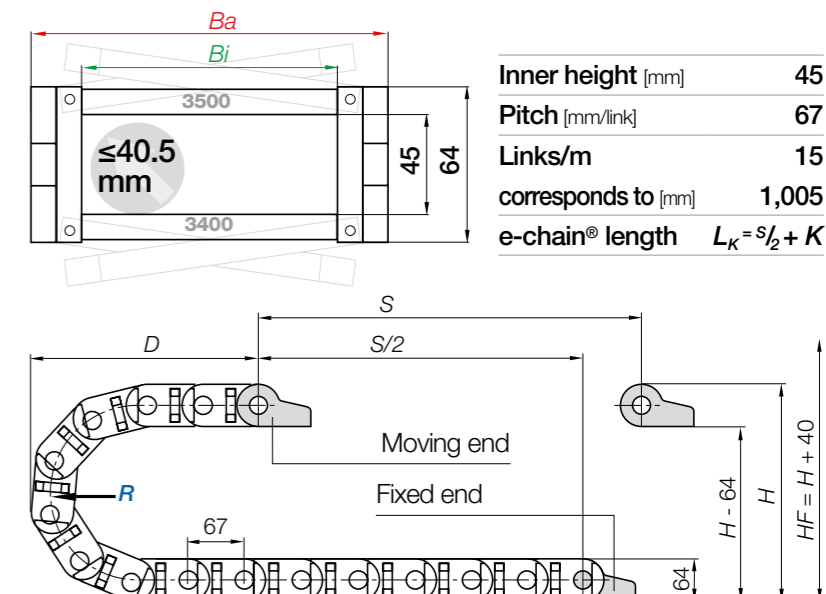
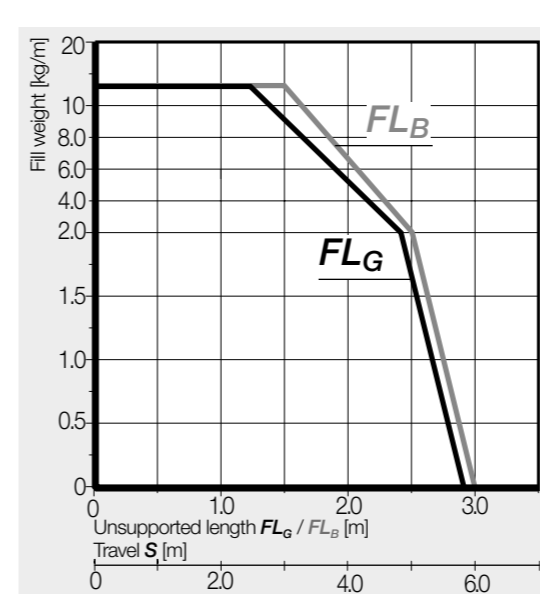
Half e-tubes, series 3450 and full e-tube series 3480 ▶ From page 416

Complete Part No. with required radius (R). Example: 3500.075.200.0



**Reduce assembly time - E2/000 e-chain® opener**

- Reduce opening times from 33 to 2 seconds
- Open a long e-chain® section in one go
- For widths Bi [mm]: 050, 075, 100, 115
- Part No. 908.254.3400 for series 3400/3500
- More information ▶ [www.igus.eu/E2opener](http://www.igus.eu/E2opener)

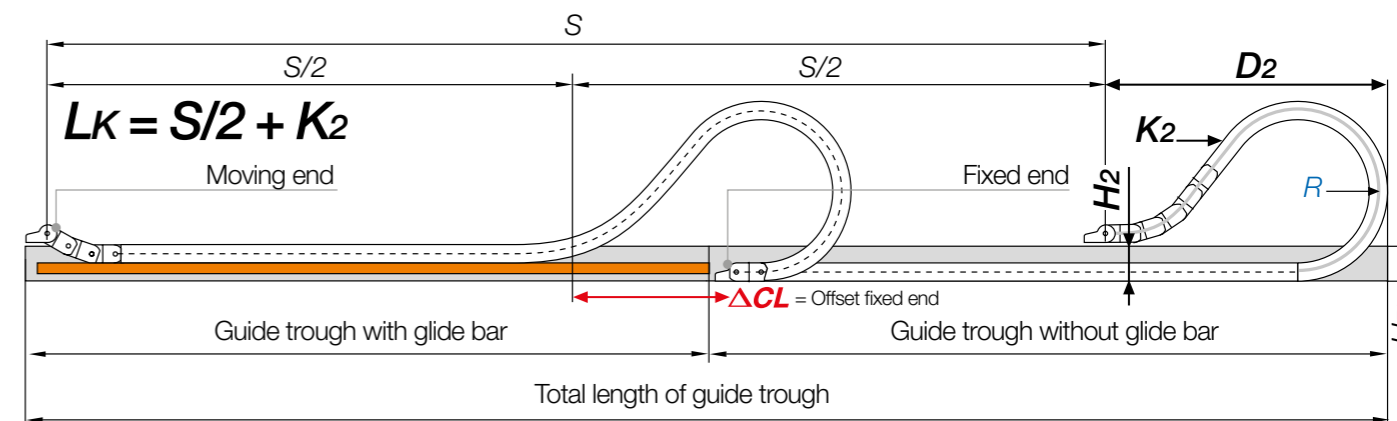


R	075	100	125	150	200	250	300
H	214	264	314	364	464	564	664
D	208	233	258	283	333	383	433
K	370	450	530	610	765	920	1,080

The required clearance height:  $H_F = H + 40\text{mm}$  (with 2.5kg/m fill weight)

Before using series 3400 on long travels please consult igus®.

**Gliding applications | For long travels from 10m to max. 150m**



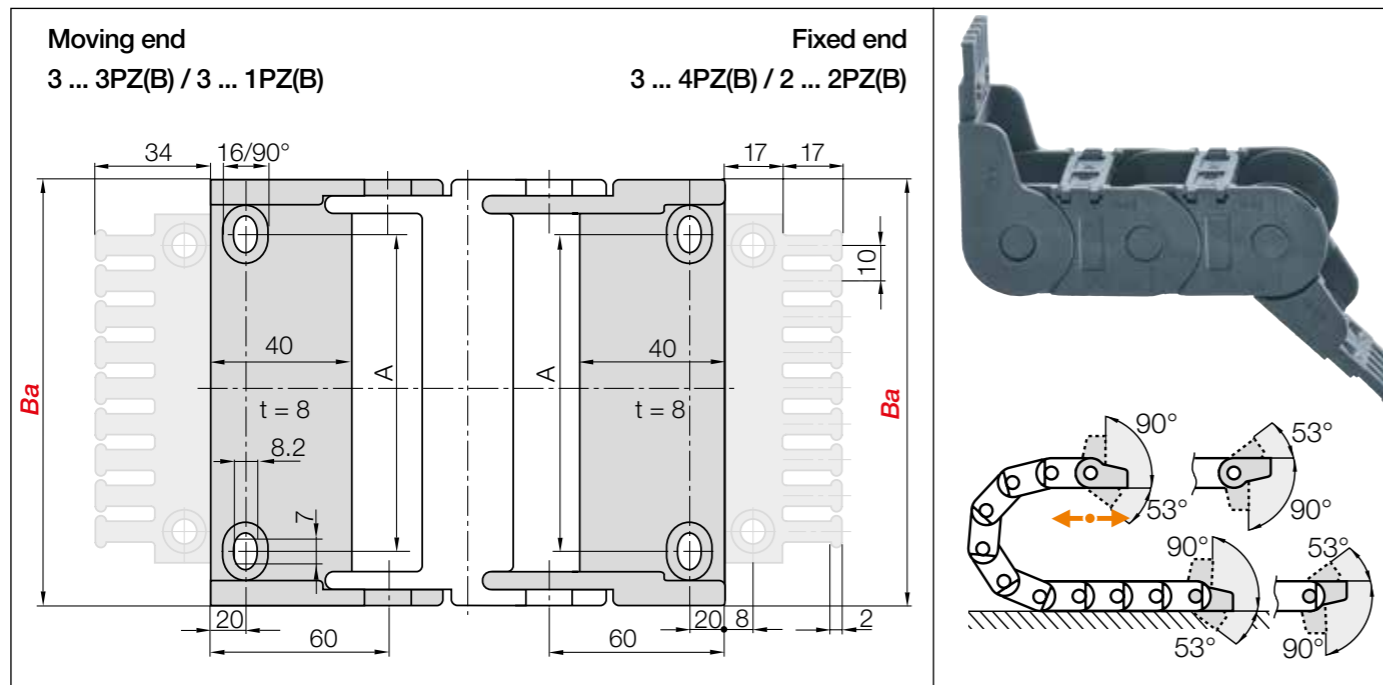
**Note:** before using series 3400/3450/3480 on long travels please consult igus®.

For long travels, igus® recommends series 3500 openable along the outer radius.

In case of travels between 6 and 10m we recommend an e-chain® with a longer unsupported length.

R	075	100	125	150	200	250	300
H <sub>2</sub>	150	200	186	186	186	186	186
D <sub>2</sub> <sup>+25</sup>	208	233	475	570	780	1,010	1,150
K <sub>2</sub>	370	450	804	1,005	1,340	1,675	1,943
ΔCL	-	-	233	303	463	643	733

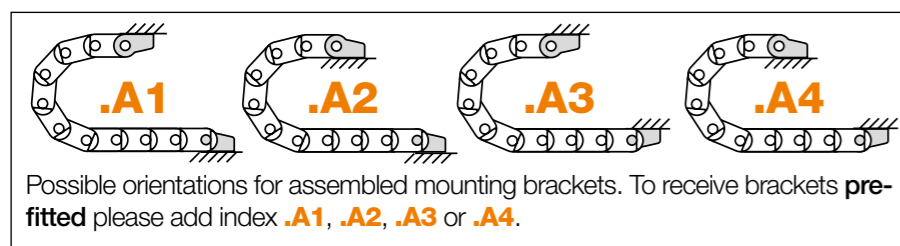
Before using series 3400 on long travels please consult igus®.



**Polymer pivoting** | Recommended for unsupported and gliding applications  
**Polymer locking** | Recommended for vertical hanging and standing applications

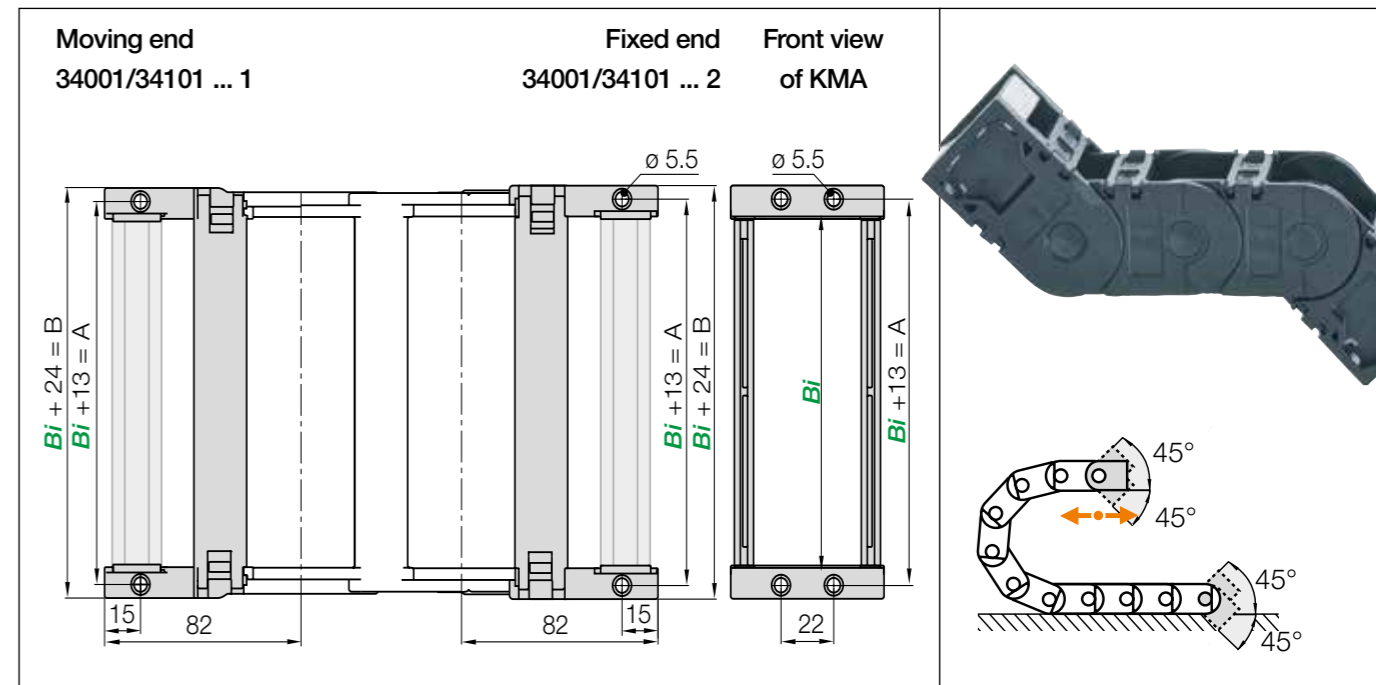
Width index	Part No. full set pivoting		Part No. full set locking		A [mm]	Number of teeth
	with tiewrap plates	without tiewrap plate	with tiewrap plates	without tiewrap plate		
050. ▶	3050.34PZB	3050.34PZ	3050.12PZB	3050.12PZ	28	5
075. ▶	3075.34PZB	3075.34PZ	3075.12PZB	3075.12PZ	53	7
100. ▶	3100.34PZB	3100.34PZ	3100.12PZB	3100.12PZ	78	10
115. ▶	3115.34PZB	3115.34PZ	3115.12PZB	3115.12PZ	93	11
125. ▶	3125.34PZB	3125.34PZ	3125.12PZB	3125.12PZ	103	12
150. ▶	3150.34PZB	3150.34PZ	3150.12PZB	3150.12PZ	128	15
175. ▶	3175.34PZB	3175.34PZ	3175.12PZB	3175.12PZ	153	17
200. ▶	3200.34PZB	3200.34PZ	3200.12PZB	3200.12PZ	178	20
225. ▶	3225.34PZB	3225.34PZ	3225.12PZB	3225.12PZ	203	22
250. ▶	3250.34PZB	3250.34PZ	3250.12PZB	3250.12PZ	228	25

Full set with tiewrap plate + 10 cable tiewraps, please add index **K1**. Example: 3250.34PZBK1



**3075.34PZB.A1** Order example  
 .A... to indicate option with brackets pre-fitted  
 With integrated strain relief tiewrap plates  
 Full set  
 Series

**Strain relief** e.g. clamps, tiewrap plates, nuggets and plug-in clips are available from stock. The complete chainfix range with ordering options ▶ From page 1300

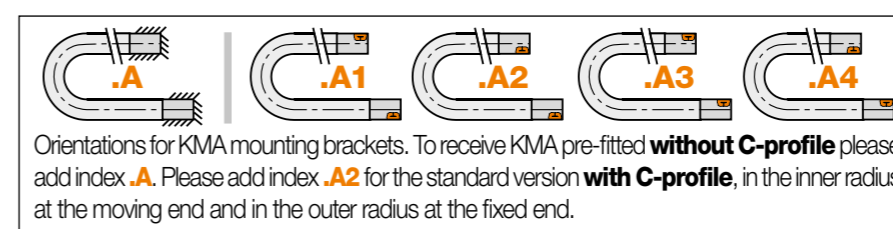


**KMA pivoting** | Recommended for unsupported and gliding applications  
**KMA locking** | Recommended for vertical hanging and standing applications

Width index	Part No. full set KMA pivoting		Part No. full set KMA locking		A [mm]	B [mm]
	with C-profile	without C-profile	with C-profile	without C-profile		
050. ▶	34001.050.12.C	34001.050.12	34101.050.12.C	34101.050.12	63	74
075. ▶	34001.075.12.C	34001.075.12	34101.075.12.C	34101.075.12	88	99
100. ▶	34001.100.12.C	34001.100.12	34101.100.12.C	34101.100.12	113	124
115. ▶	34001.115.12.C	34001.115.12	34101.115.12.C	34101.115.12	128	139
125. ▶	34001.125.12.C	34001.125.12	34101.125.12.C	34101.125.12	138	149
150. ▶	34001.150.12.C	34001.150.12	34101.150.12.C	34101.150.12	163	174
175. ▶	34001.175.12.C	34001.175.12	34101.175.12.C	34101.175.12	188	199
200. ▶	34001.200.12.C	34001.200.12	34101.200.12.C	34101.200.12	213	224
225. ▶	34001.225.12.C	34001.225.12	34101.225.12.C	34101.225.12	238	249
250. ▶	34001.250.12.C	34001.250.12	34101.250.12.C	34101.250.12	263	274

KMA pivoting to one end: moving end 34001...3 / fixed end 34001...4

(KMA = polymer metal mounting bracket)



**34001.075.12.C.A2** Order example  
 .A... to indicate option with brackets pre-fitted  
 C-profile option  
 Full set  
 Width index  
 Series



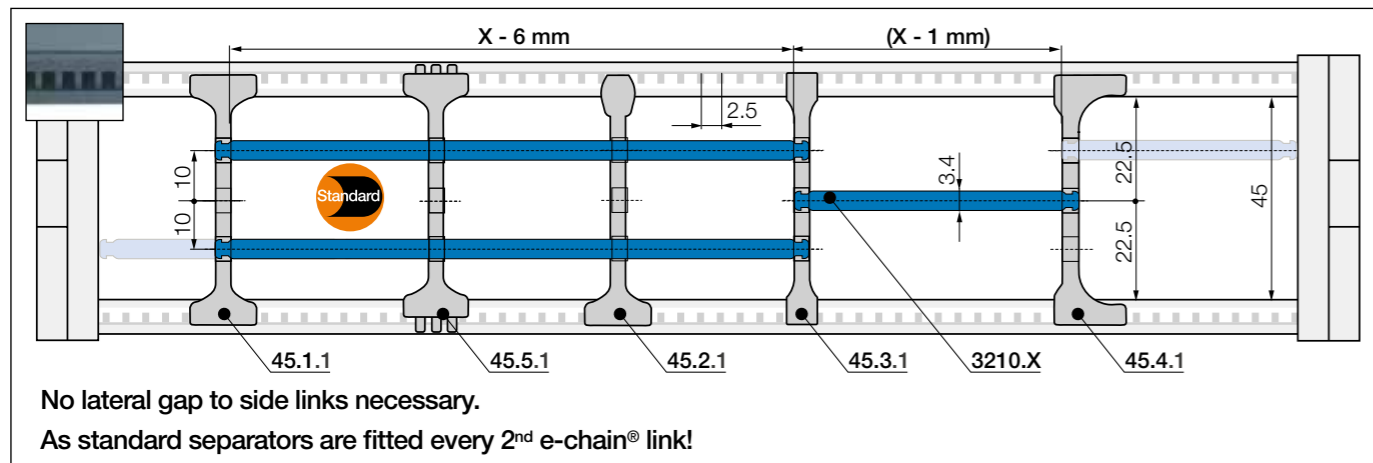
**Option: steel mounting bracket, pivoting.** For e-chains® and e-tubes, Part No. 3000.12  
 ● Pivoting connections ● One part (2-piece) for all e-chain® widths ● Electrically conductive

**Strain relief** e.g. clamps, tiewrap plates, nuggets and plug-in clips are available from stock. The complete chainfix range with ordering options ▶ From page 1300



Interior separation | Increase cable service life

Previous generation of interior separation with other options ► [www.igus.eu/3400](http://www.igus.eu/3400) ► [www.igus.eu/3500](http://www.igus.eu/3500)



No lateral gap to side links necessary.  
As standard separators are fitted every 2<sup>nd</sup> e-chain® link!

		Standard separator, wide base
		unassembled 45.1 assembled 45.1.1

**Standard - for any application**  
Separator with a wide base for maximum holding force in the e-chain®.

		Separator, narrow top
		unassembled 45.2 assembled 45.2.1

**For even faster installation**  
Wide on one side for high holding force, narrow on opposite side for easy cable fitting.

		Separator, narrow
		unassembled 45.3 assembled 45.3.1

**For small cables**  
Separator with a narrow base for a large number of small cables side by side. Saves space in the e-chain®.

		Separator, asymmetrical
		unassembled 45.4 assembled 45.4.1

**For side-mounted applications**  
Asymmetrical separator, for defined gap distance. No additional spacers required.

		Notch separator for notched crossbar
		unassembled 45.5 assembled 45.5.1

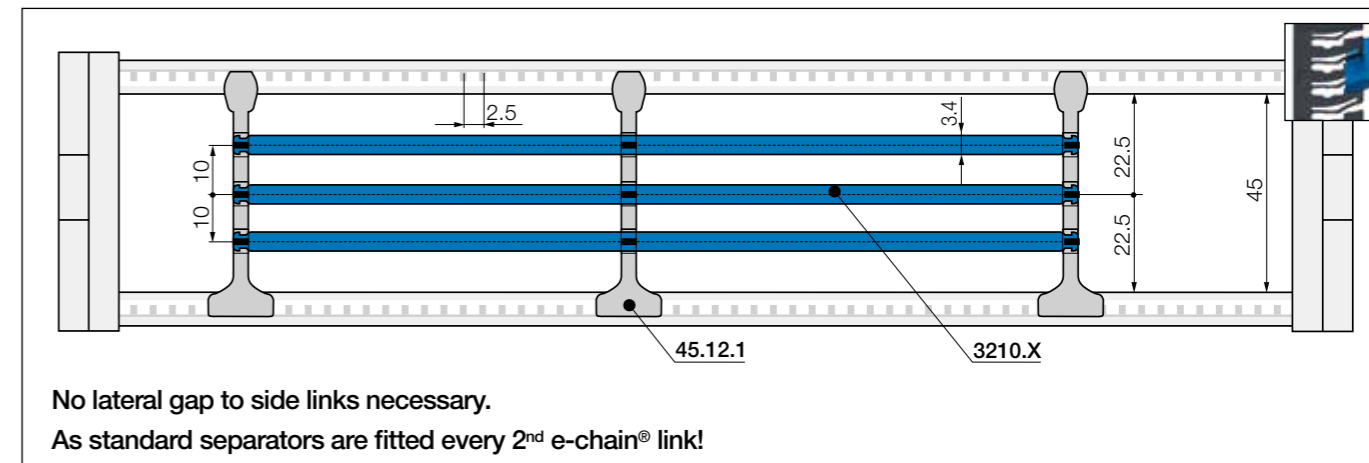
**Locks securely in preset increments**  
Notch separator for exact positioning in e-chains®. Recommended for side-mounted applications.

		Shelf, lockable
		unassembled 3200.X assembled 3210.X

**Horizontal separation**  
Full-width shelf locks securely into separators at both ends, giving a fixed width. Can be used as full-width or partial shelf.

Shelves Width = X [mm]	X [mm]	unassembled	assembled	X [mm]	unassembled	assembled	X [mm]	unassembled	assembled
		050	3200.050	3210.050	125	3200.125	3210.125	225	3200.225
	075	3200.075	3210.075	150	3200.150	3210.150	250	3200.250	3210.250
	100	3200.100	3210.100	175	3200.175	3210.175			
	115	3200.115	3210.115	200	3200.200	3210.200			

Interior separation | To allow faster filling **New**



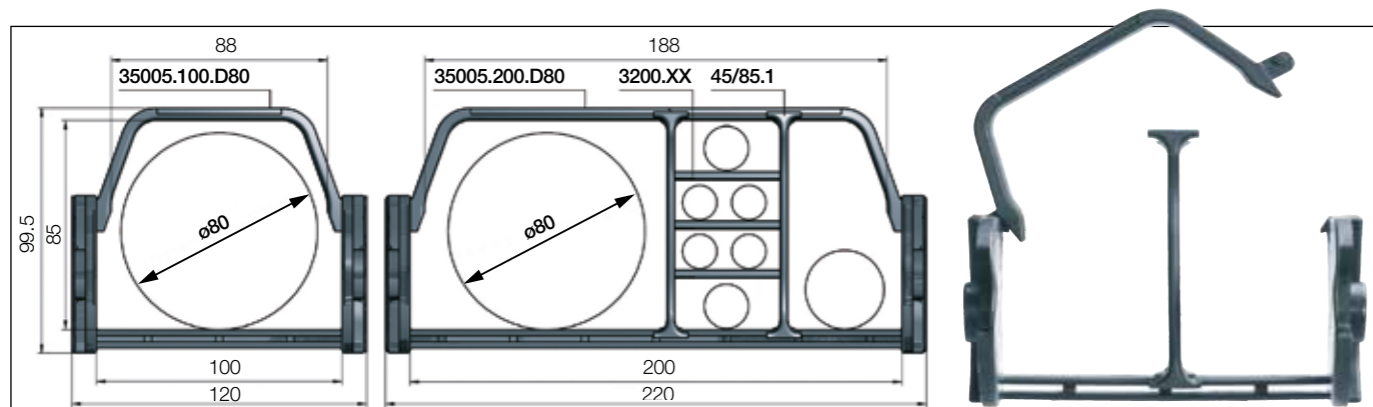
No lateral gap to side links necessary.  
As standard separators are fitted every 2<sup>nd</sup> e-chain® link!

		Lean separator
		unassembled 45.12 assembled 45.12.1

**Lean separators**  
New design allows extremely fast fitting of shelves in several layers, which significantly reduces assembly time. Enables extremely fast replacement of individual cables in a very full e-chain®.

**Lean separator design - several layers of cables fitted quickly, save up to 50%\* assembly time**  
(\*Lean separator vs. standard separator - measured on a 4m long e-chain® fitted with 12 cables in the igus® readychain® factory)





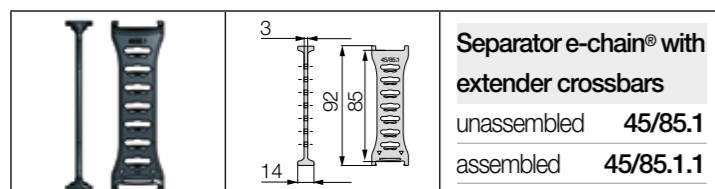
e-chains® with extender crossbars - large increase of the interior space for the smooth guiding of large hoses. Suitable for hoses with a maximum outer diameter of 80mm.

Part No. e-chains® extender crossbars openable along inner radius	Part No. e-chains® extender crossbars openable along outer radius	Bi [mm]	Ba [mm]	R Available bend radii [mm]
3400.100.D80.R.0	3500.100.D80.R.0	100	120	075*   100*   125   150   200   250   300
3400.200.D80.R.0	3500.200.D80.R.0	200	220	075*   100*   125   150   200   250   300

\*Radius 075 and 100 only possible with e-chains® series 3500, openable along outer radius!

Complete Part No. with required radius (R). Example: 3500.100D80.200.0

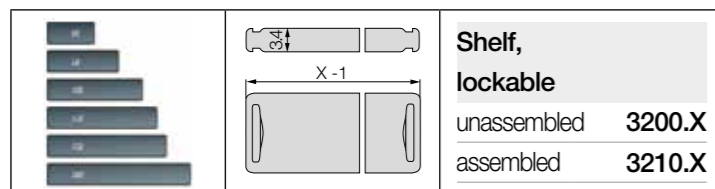
### Interior separation for e-chains® with extender crossbars



**Separator e-chain® with extender crossbars**  
 unassembled 45/85.1  
 assembled 45/85.1.1

#### Standard separator, wide base

Separator with a wide base for maximum holding force in the e-chain®. As standard separators are fitted every 2<sup>nd</sup> e-chain® link!



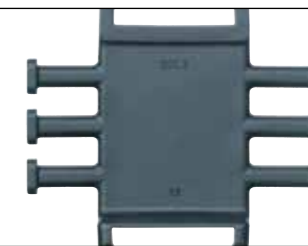
**Shelf, lockable**  
 unassembled 3200.X  
 assembled 3210.X

#### Horizontal separation

Full-width shelf locks securely into separators at both ends, giving a fixed width. Can be used as full-width or partial shelf.

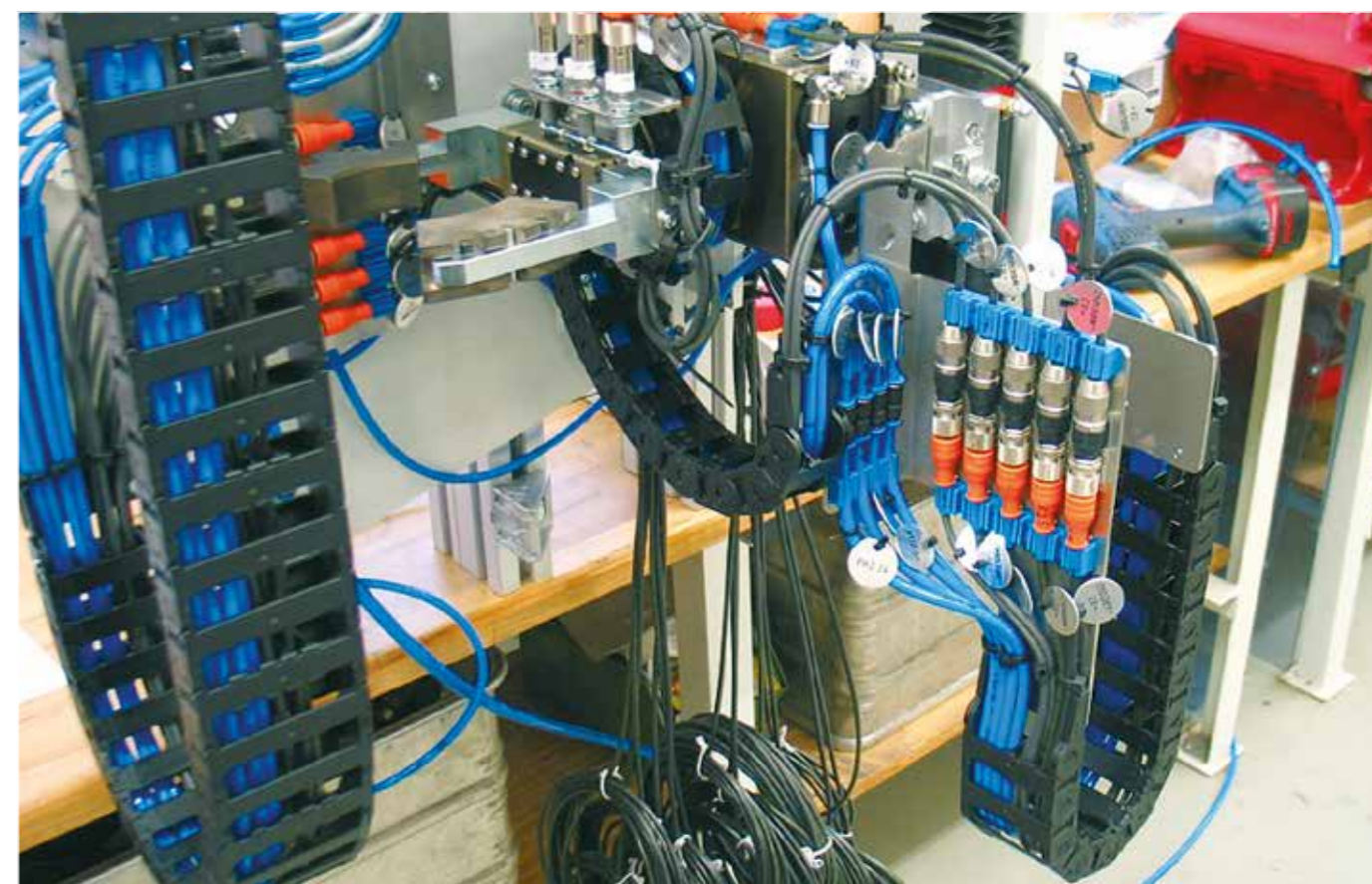
#### Separator with integrated strain relief teeth

- Can be integrated into the mounting bracket or placed at any point in the e-chain®
  - Combines strain relief and interior separation, for restricted space conditions
  - Strain relief separator is easy to assemble without any screws
- Part No. 301.Z. More information ► From page 1326



#### Steel support tray for support of the lower run

- Simple one-piece support trays for the lower run
  - To your requirements and specification
  - 4 options available
- More information ► From page 1264



Strong and space-saving E2/000 e-chain® for different axes of a machine





**Half e-tubes | Series 3450** | Crossbars openable along inner radius from both sides, closed along outer radius  
**Full e-tubes | Series 3480** | Lids openable along inner radius from both sides, fully enclosed

Part No. half e-tubes openable along the inner radius	Part No. full e-tubes openable along the inner radius	Bi [mm]	Ba [mm]	R Available bend radii [mm]	3450 [kg/m]	3480 [kg/m]
3450.050 .R.0	3480.050 .R.0	50	70	075*   100*   125   150   200   250   300	≈ 1.77	≈ 1.96
3450.075 .R.0	3480.075 .R.0	75	95	075*   100*   125   150   200   250   300	≈ 1.95	≈ 2.07
3450.100 .R.0	3480.100 .R.0	100	120	075*   100*   125   150   200   250   300	≈ 2.15	≈ 2.30
3450.115 .R.0	3480.115 .R.0	115	135	075*   100*   125   150   200   250   300	≈ 2.30	≈ 2.46
3450.125 .R.0	3480.125 .R.0	125	145	075*   100*   125   150   200   250   300	≈ 2.42	≈ 2.49
3450.150 .R.0	3480.150 .R.0	150	170	075*   100*   125   150   200   250   300	≈ 2.60	≈ 2.62
3450.175 .R.0	3480.175 .R.0	175	195	075*   100*   125   150   200   250   300	≈ 2.75	≈ 2.80
3450.200 .R.0	3480.200 .R.0	200	220	075*   100*   125   150   200   250   300	≈ 2.90	≈ 2.94
3450.225 .R.0	3480.225 .R.0	225	245	075*   100*   125   150   200   250   300	≈ 3.12	≈ 3.15
3450.250 .R.0	3480.250 .R.0	250	270	075*   100*   125   150   200   250   300	≈ 3.30	≈ 3.28

\*Radius available upon request. Please consult igus® for price and delivery time.

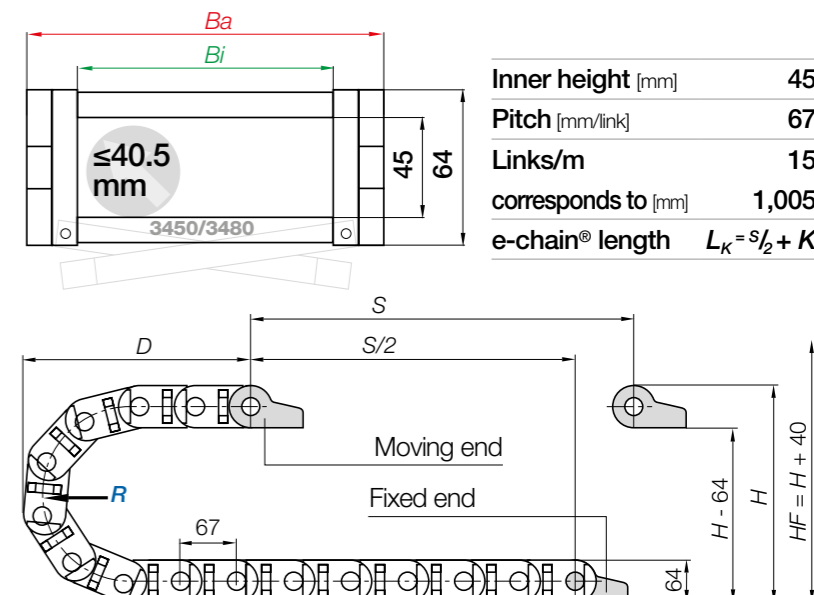
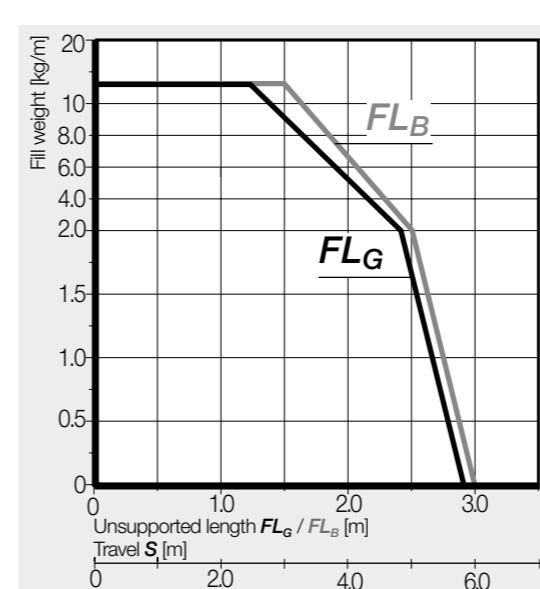
Radii 075, 100: the e-tube is not completely enclosed. Please consult igus®.

Complete Part No. with required radius (R). Example: 3450.075.200.0



**Reduce assembly time - E2/000 e-chain® opener**

- Reduce opening times from 33 to 2 seconds
  - Open a long e-chain® section in one go
  - For widths Bi [mm]: 050, 075, 100, 115
  - Part No. 908.254.3400 for series 3450
- More information ► [www.igus.eu/E2opener](http://www.igus.eu/E2opener)



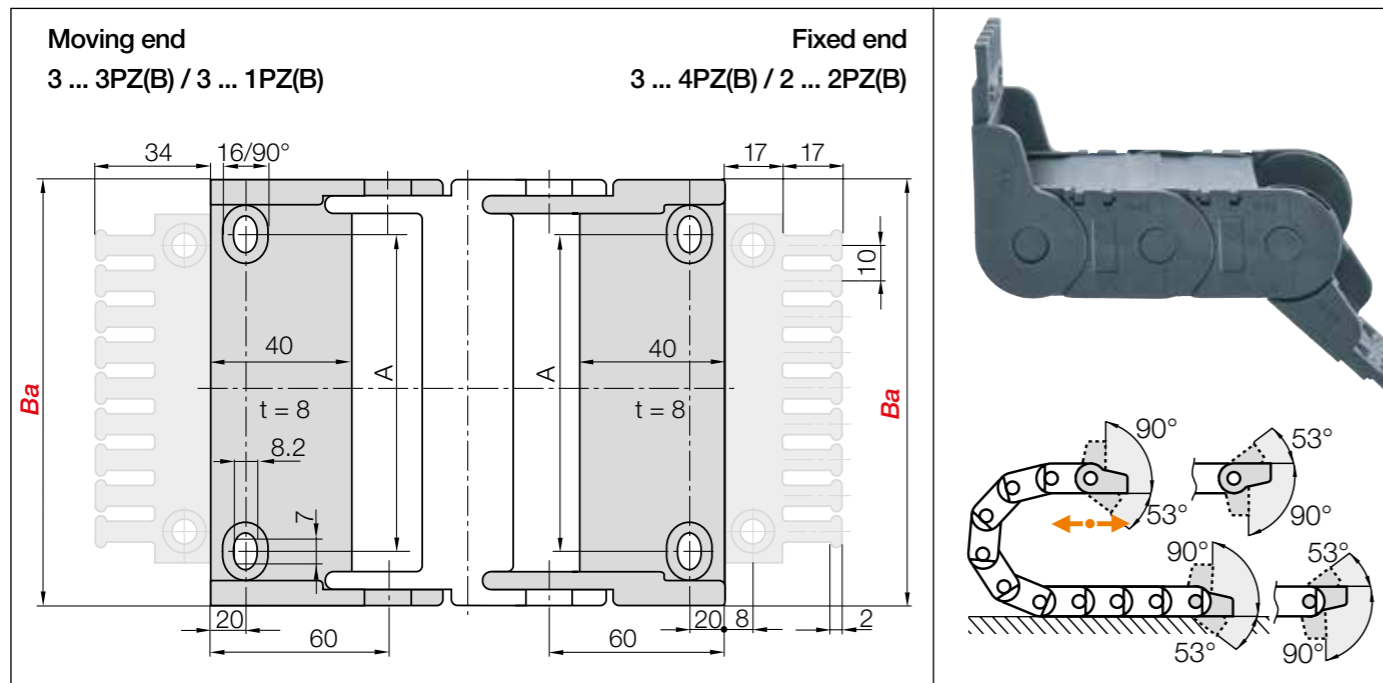
Inner height [mm]	45
Pitch [mm/link]	67
Links/m	15
corresponds to [mm]	1,005
e-chain® length $L_K = \frac{S}{2} + K$	

R	075*	100*	125	150	200	250	300
H	214	264	314	364	464	564	664
D	208	233	258	283	333	383	433
K	370	450	530	610	765	920	1,080

The required clearance height:  $H_F = H + 40\text{mm}$  (with 2.5kg/m fill weight)

\*Radius available upon request. Please consult igus® for delivery time. Before using series 3450/3480 on long travels please consult igus®.

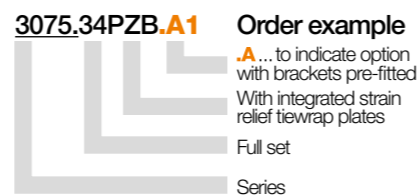
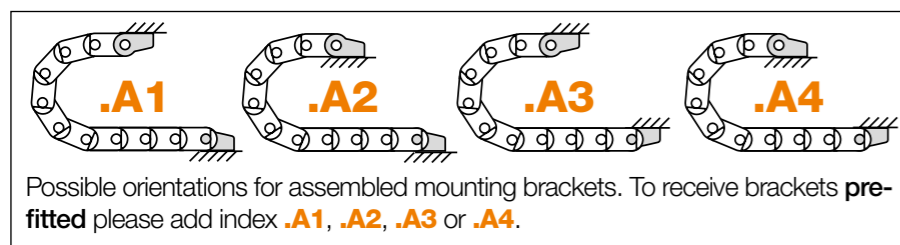
**i** If a gliding application is required for a long travel, please consult igus®.



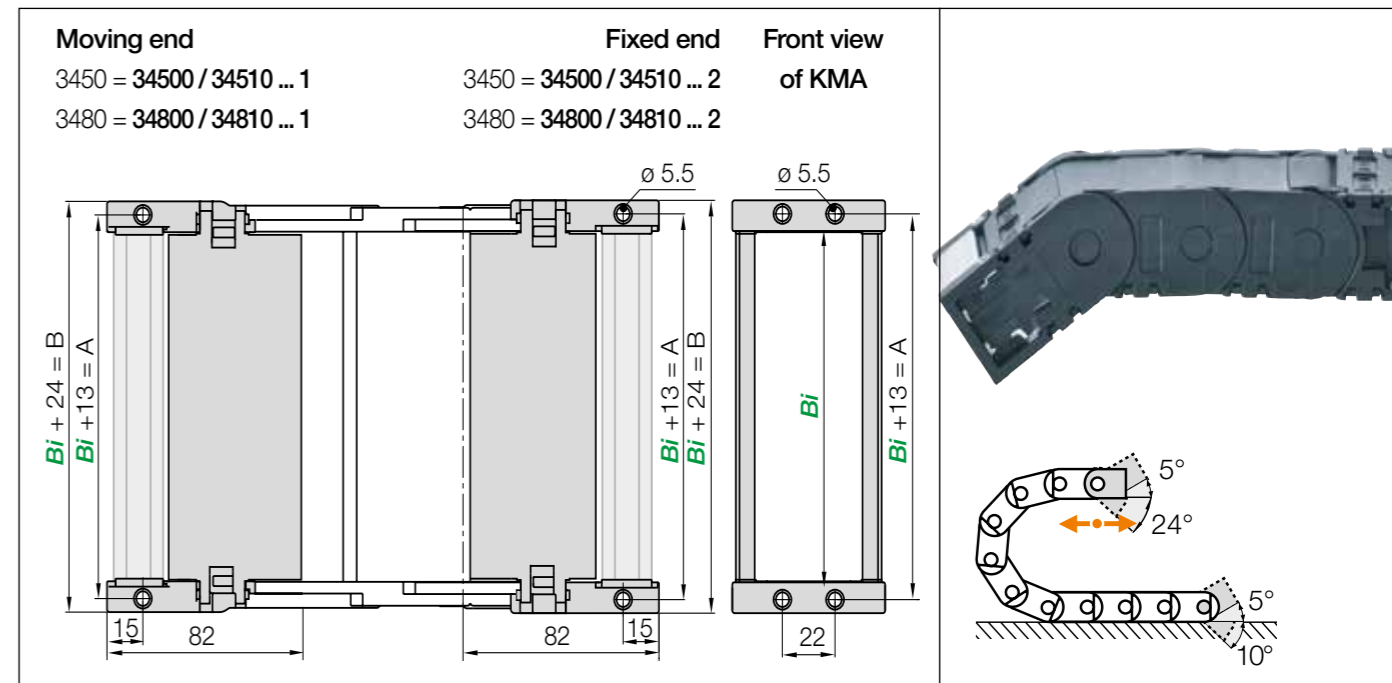
**Polymer pivoting** | Recommended for unsupported applications  
**Polymer locking** | Recommended for vertical hanging and standing applications

Width index	Part No. full set pivoting		Part No. full set locking		A [mm]	Number of teeth
	with tiewrap plates	without tiewrap plate	with tiewrap plates	without tiewrap plate		
050. ▶	3050.34PZB	3050.34PZ	3050.12PZB	3050.12PZ	28	5
075. ▶	3075.34PZB	3075.34PZ	3075.12PZB	3075.12PZ	53	7
100. ▶	3100.34PZB	3100.34PZ	3100.12PZB	3100.12PZ	78	10
115. ▶	3115.34PZB	3115.34PZ	3115.12PZB	3115.12PZ	93	11
125. ▶	3125.34PZB	3125.34PZ	3125.12PZB	3125.12PZ	103	12
150. ▶	3150.34PZB	3150.34PZ	3150.12PZB	3150.12PZ	128	15
175. ▶	3175.34PZB	3175.34PZ	3175.12PZB	3175.12PZ	153	17
200. ▶	3200.34PZB	3200.34PZ	3200.12PZB	3200.12PZ	178	20
225. ▶	3225.34PZB	3225.34PZ	3225.12PZB	3225.12PZ	203	22
250. ▶	3250.34PZB	3250.34PZ	3250.12PZB	3250.12PZ	228	25

Full set with tiewrap plate + 10 cable tiewraps, please add index **K1**. Example: 3250.34PZBK1



**Strain relief** e.g. clamps, tiewrap plates, nuggets and plug-in clips are available from stock. The complete chainfix range with ordering options ▶ From page 1300



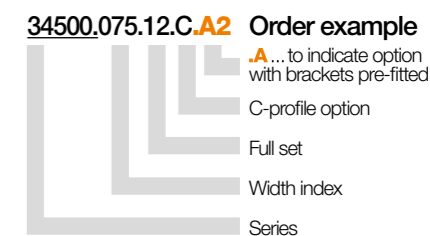
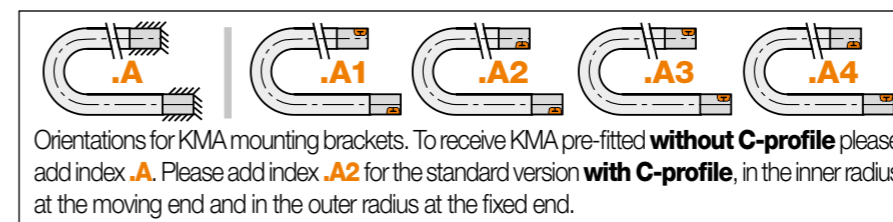
**KMA pivoting** | Recommended for unsupported applications  
**KMA locking** | Recommended for vertical hanging and standing applications

Width index	Part No. full set KMA pivoting <sup>1)</sup>		Part No. full set KMA locking <sup>2)</sup>		A [mm]	B [mm]
	with C-profile	without C-profile	with C-profile	without C-profile		
050. ▶	34500   34800.050.12.C	34500   34800.050.12	34510   34810.050.12.C	34510   34810.050.12	63	74
075. ▶	34500   34800.075.12.C	34500   34800.075.12	34510   34810.075.12.C	34510   34810.075.12	88	99
100. ▶	34500   34800.100.12.C	34500   34800.100.12	34510   34810.100.12.C	34510   34810.100.12	113	124
115. ▶	34500   34800.115.12.C	34500   34800.115.12	34510   34810.115.12.C	34510   34810.115.12	128	139
125. ▶	34500   34800.125.12.C	34500   34800.125.12	34510   34810.125.12.C	34510   34810.125.12	138	149
150. ▶	34500   34800.150.12.C	34500   34800.150.12	34510   34810.150.12.C	34510   34810.150.12	163	174
175. ▶	34500   34800.175.12.C	34500   34800.175.12	34510   34810.175.12.C	34510   34810.175.12	188	199
200. ▶	34500   34800.200.12.C	34500   34800.200.12	34510   34810.200.12.C	34510   34810.200.12	213	224
225. ▶	34500   34800.225.12.C	34500   34800.225.12	34510   34810.225.12.C	34510   34810.225.12	238	249
250. ▶	34500   34800.250.12.C	34500   34800.250.12	34510   34810.250.12.C	34510   34810.250.12	263	274

1) KMA pivoting Part No. 34500 for half e-tube series 3450 / KMA pivoting Part No. 34800 for full e-tube series 3480

2) KMA locking Part No. 34510 for half e-tube series 3450 / KMA locking Part No. 34810 for full e-tube series 3480

(KMA = polymer metal mounting bracket)



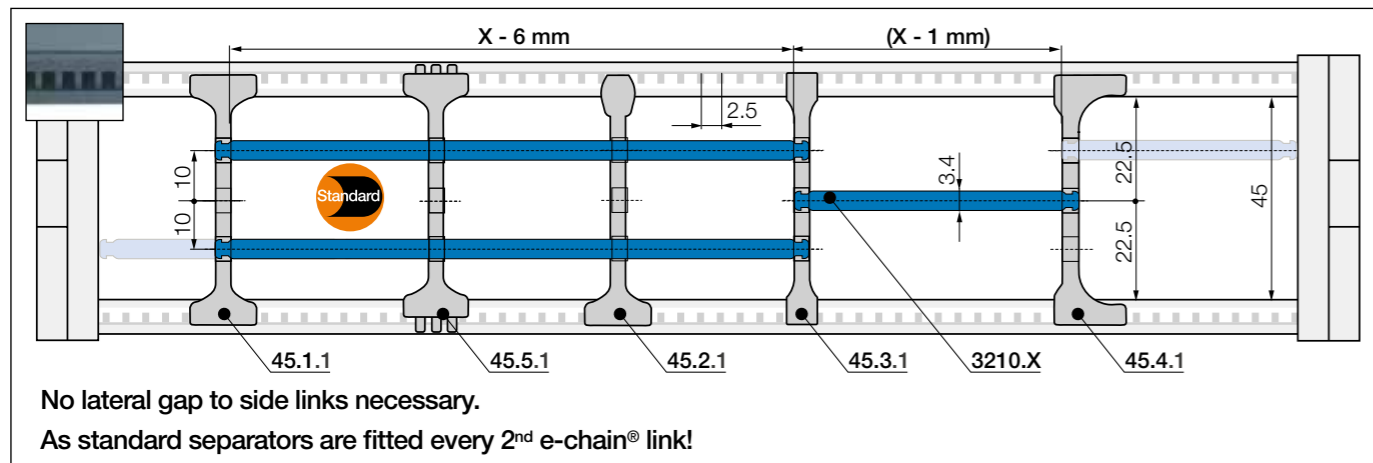
**Option: steel mounting bracket, pivoting.** For e-chains® and e-tubes, Part No. 3000.12  
 ● Pivoting connections ● One part (2-piece) for all e-chain® widths ● Electrically conductive

**Strain relief** e.g. clamps, tiewrap plates, nuggets and plug-in clips are available from stock. The complete chainfix range with ordering options ▶ From page 1300



Interior separation | Increase cable service life

Previous generation of interior separation with other options ► [www.igus.eu/3450](http://www.igus.eu/3450) ► [www.igus.eu/3480](http://www.igus.eu/3480)



		3 14		<b>Standard separator, wide base</b>	
				unassembled	45.1
				assembled	45.1.1

**Standard - for any application**  
Separator with a wide base for maximum holding force in the e-chain®.

		4 3 14		<b>Separator, narrow top</b>	
				unassembled	45.2
				assembled	45.2.1

**For even faster installation**  
Wide on one side for high holding force, narrow on opposite side for easy cable fitting.

		3 7		<b>Separator, narrow</b>	
				unassembled	45.3
				assembled	45.3.1

**For small cables**  
Separator with a narrow base for a large number of small cables side by side. Saves space in the e-chain®.

		3 2 14		<b>Separator, asymmetrical</b>	
				unassembled	45.4
				assembled	45.4.1

**For side-mounted applications**  
Asymmetrical separator, for defined gap distance. No additional spacers required.

		3 14		<b>Notch separator for notched crossbar</b>	
				unassembled	45.5
				assembled	45.5.1

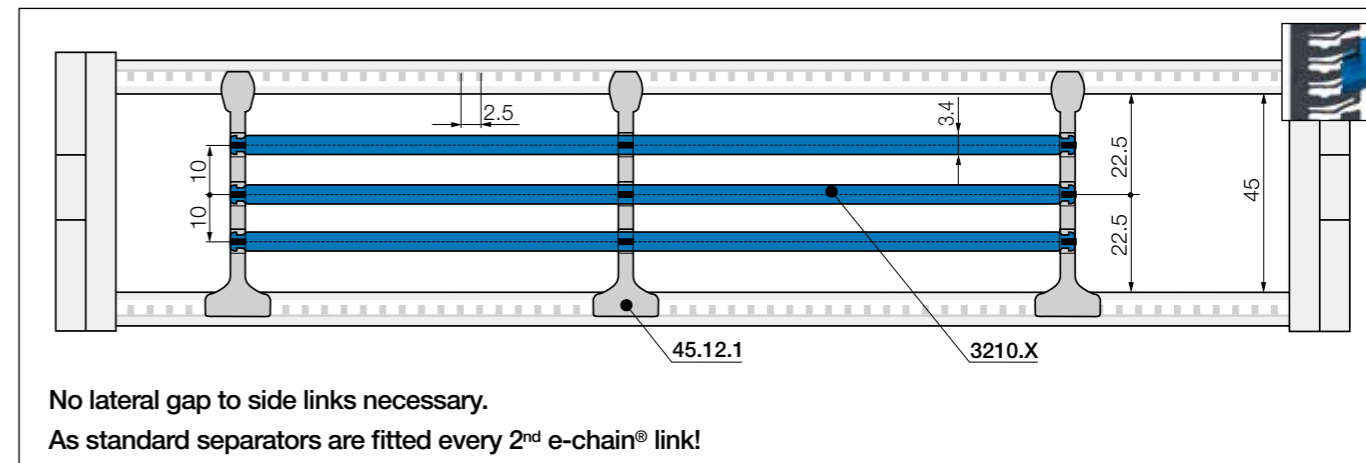
**Locks securely in preset increments**  
Notch separator for exact positioning in e-chains®. Recommended for side-mounted applications.

		X-1	<b>Shelf, lockable</b>	
			unassembled	3200.X
			assembled	3210.X

**Horizontal separation**  
Full-width shelf locks securely into separators at both ends, giving a fixed width. Can be used as full-width or partial shelf.

Shelves Width = X [mm]	X [mm]	unassembled	assembled	X [mm]	unassembled	assembled	X [mm]	unassembled	assembled
		050	3200.050	3210.050	125	3200.125	3210.125	225	3200.225
	075	3200.075	3210.075	150	3200.150	3210.150	250	3200.250	3210.250
	100	3200.100	3210.100	175	3200.175	3210.175			
	115	3200.115	3210.115	200	3200.200	3210.200			

Interior separation | To allow faster filling **New**

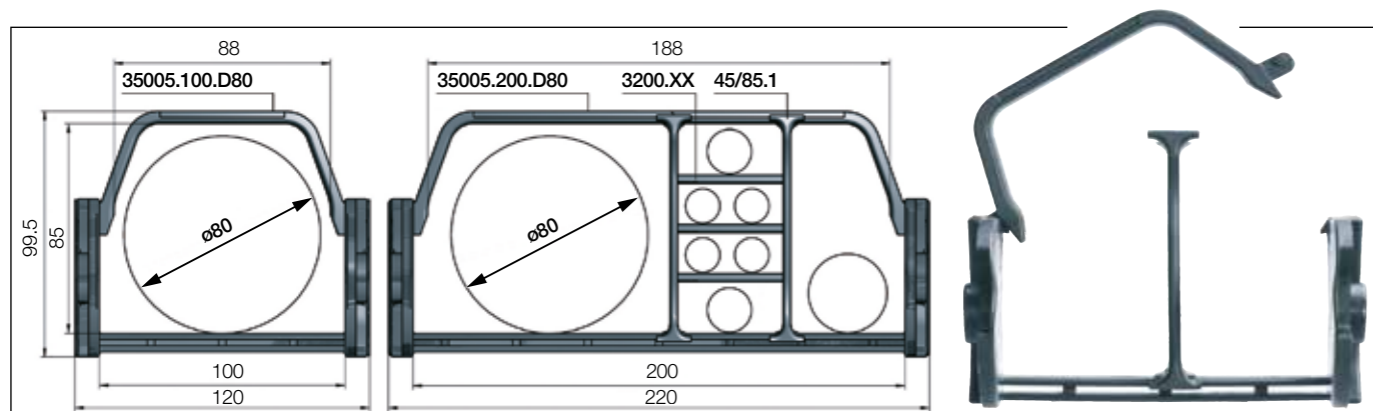


		4 3 14		<b>Lean separator</b>	
				unassembled	45.12
				assembled	45.12.1

**Lean separators**  
New design allows extremely fast fitting of shelves in several layers, which significantly reduces assembly time. Enables extremely fast replacement of individual cables in a very full e-chain®.

**Lean separator design - several layers of cables fitted quickly, save up to 50%\* assembly time**  
(\*Lean separator vs. standard separator - measured on a 4m long e-chain® fitted with 12 cables in the igus® readychain® factory)





e-chains® with extender crossbars only for series 3450 - large increase of the interior space for the smooth guiding of large hoses. Suitable for hoses with a maximum outer diameter of 80mm.

Part No. half e-tubes extender crossbars openable along the inner radius	<i>Bi</i>	<i>Ba</i>	<i>R</i> Available bend radii
	[mm]	[mm]	[mm]
3450.100.D80.R.0	100	120	125   150   200   250   300
3450.200.D80.R.0	200	220	125   150   200   250   300

Complete Part No. with required radius (*R*). Example: 3450.100D80.200.0

### Interior separation for e-chains® with extender crossbars

		<b>Separator e-chain® with extender crossbars</b> unassembled 45/85.1 assembled 45/85.1.1
		<b>Shelf, lockable</b> unassembled 3200.X assembled 3210.X

#### Standard separator, wide base

Separator with a wide base for maximum holding force in the e-chain®. As standard separators are fitted every 2<sup>nd</sup> e-chain® link!

#### Horizontal separation

Full-width shelf locks securely into separators at both ends, giving a fixed width. Can be used as full-width or partial shelf.

#### Separator with integrated strain relief teeth

- Can be integrated into the mounting bracket or placed at any point in the e-chain®
  - Combines strain relief and interior separation, for restricted space conditions
  - Strain relief separator is easy to assemble without any screws
- Part No. 34501.Z. More information ► From page 1326



#### Steel support tray for support of the lower run

- Simple one-piece support trays for the lower run
  - To your requirements and specification
  - 4 options available
- More information ► From page 1264



E2/000 - robust energy supply even with constant air draught and the resulting pendulum movements in this 160m lift for the Post Tower, Bonn





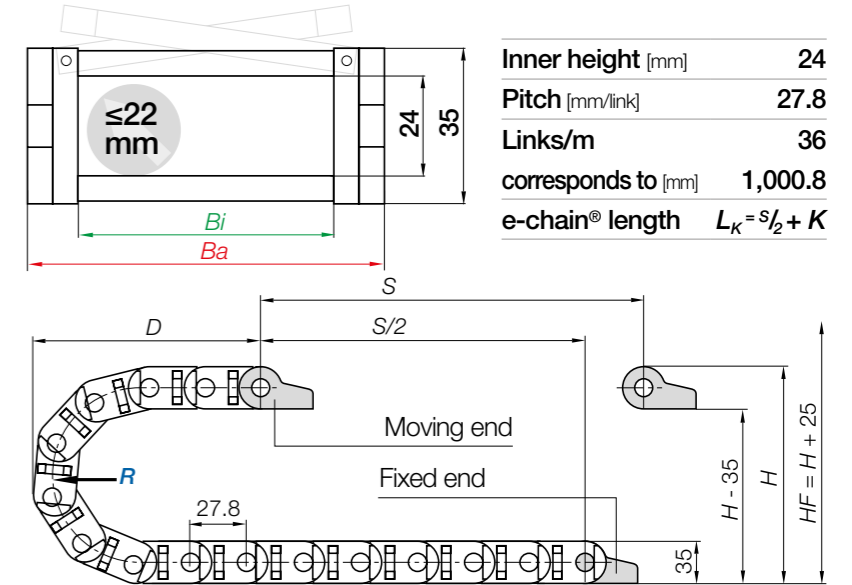
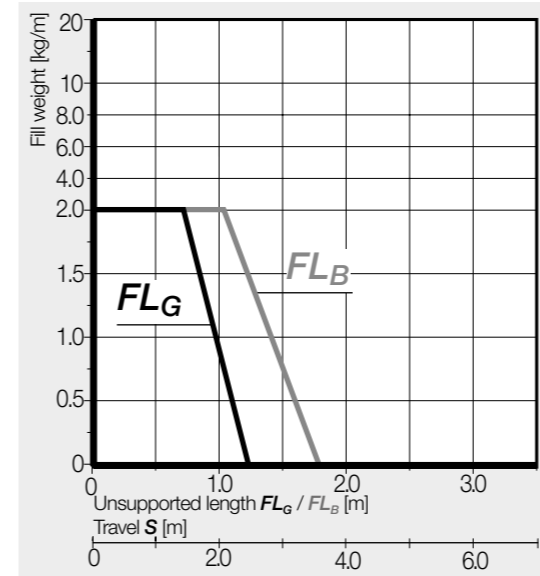
e-chains® | Series 255 | Crossbars openable along the outer radius, from one side

Part No.	Bi	Ba	R Available bend radii	255
e-chains®	[mm]	[mm]	[mm]	[kg/m]
255.03.R.0	38	54	055   075   100   125   150   175   200   225   250	≈ 0.81
255.05.R.0	57	73	055   075   100   125   150   175   200   225   250	≈ 0.90
255.07.R.0	77	93	055   075   100   125   150   175   200   225   250	≈ 1.01
255.10.R.0	103	119	055   075   100   125   150   175   200   225   250	≈ 1.15

Complete Part No. with required radius (R). Example: 255.10.200.0

Aluminium support tray

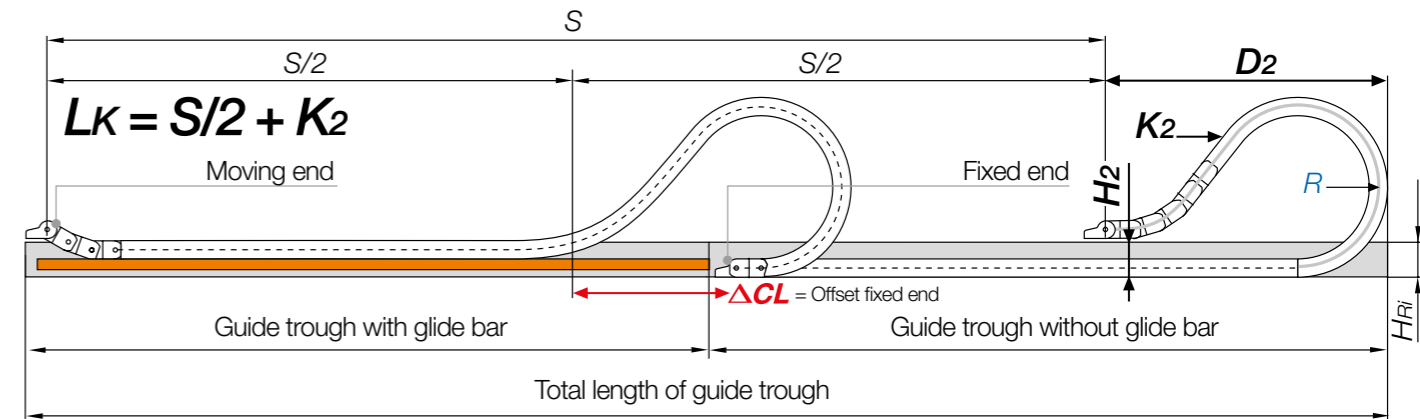
- Corrosion-resistant and seawater-resistant aluminium rails with adjustable width
  - Noise-reducing glide strip integrated as standard
  - Easy installation and connection of the e-chain®
  - Open design - dirt and debris fall through
- More information ► From page 1270



R	055	075	100	125	150	175	200	225	250
H <sub>0</sub> <sup>+</sup>	145	185	235	285	335	385	435	485	535
D	114	134	159	184	209	234	259	284	309
K	230	295	370	450	530	610	685	765	845

The required clearance height:  $H_F = H + 25\text{mm}$  (with 1.5kg/m fill weight)

Gliding applications | For long travels from 10m to max. 100m

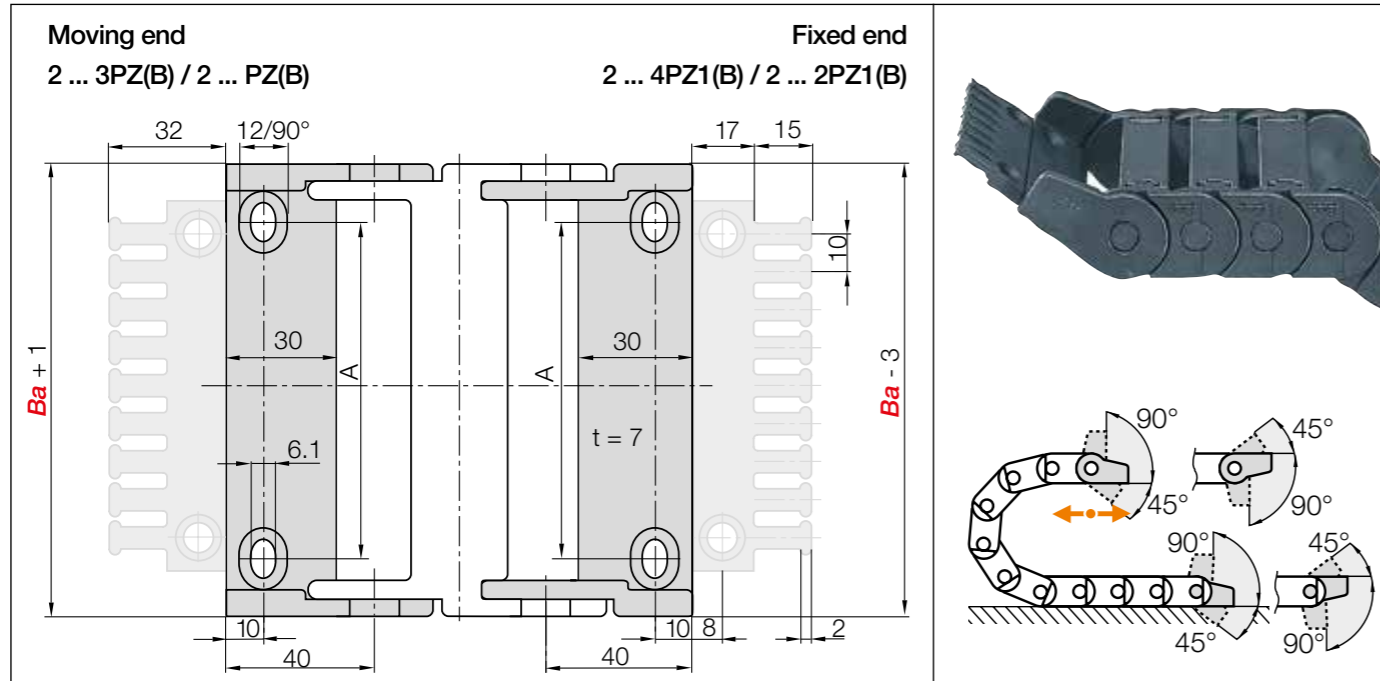


**Note:** We recommend the project planning of such a system to be carried out by igus®.

In case of travels between 4 and 10m we recommend an e-chain® with a longer unsupported length.

R	055	075	100	125	150	175	200	225	250
H <sub>2</sub>	110	150	100	100	100	100	100	100	100
D <sub>2</sub> <sup>+25</sup>	114	134	380	495	570	665	740	1,040	1,130
K <sub>2</sub>	230	295	612	806	945	1,112	1,223	1,610	1,779
ΔCL	-	-	222	322	372	437	497	*	822

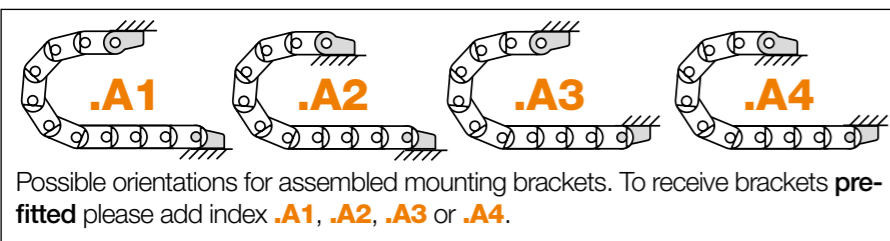
\*Upon request



**Polymer pivoting** | Recommended for unsupported and gliding applications  
**Polymer locking** | Recommended for vertical hanging and standing applications

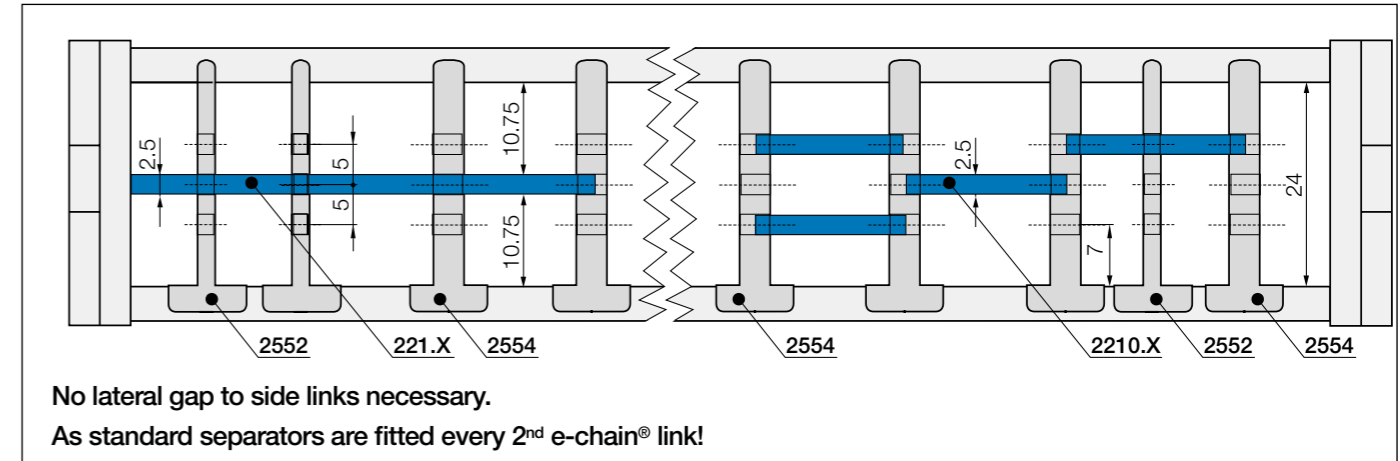
Width index	Part No. full set pivoting		Part No. full set locking		A [mm]	Number of teeth
	with tiewrap plates	without tiewrap plate	with tiewrap plates	without tiewrap plate		
03.	2030.34PZ1B	2030.34PZ1	2030.12PZ1B	2030.12PZ1	25	4
05.	2050.34PZ1B	2050.34PZ1	2050.12PZ1B	2050.12PZ1	44	6
07.	2070.34PZ1B	2070.34PZ1	2070.12PZ1B	2070.12PZ1	64	8
10.	2100.34PZ1B	2100.34PZ1	2100.12PZ1B	2100.12PZ1	90	10

Full set with tiewrap plate + 10 cable tiewraps, please add index **K1**. Example: 2030.34PZ1BK1



**2100.34PZB.A1** Order example  
**.A...** to indicate option with brackets pre-fitted  
 With integrated strain relief tiewrap plates  
 Full set  
 Series

**Strain relief** e.g. clamps, tiewrap plates, nuggets and plug-in clips are available from stock. The complete chainfix range with ordering options ▶ From price 1300



**Option 1 | Full-width shelves**  
**Slotted separator for full-width shelves**  
 Vertical separation in e-chains®. The slot allows basic vertical/horizontal shelving arrangements.

Slotted separator	
unassembled	2551
assembled	2552

**Full-width shelf for e-chains®**  
 This option is for applications with many small cables with similar diameters. For full width separation.

Full-width shelf for e-chains®	
unassembled	220.X
assembled	221.X

Full-width shelves Width = X [mm]	X [mm]	unassembled		assembled	
		unassembled	assembled	unassembled	assembled
038	038	220.38	221.38	077	220.77
	057	220.57	221.57	103	221.103

**Option 2 | Partial shelves**  
**Slotted separator for partial shelves**  
 Vertical separation in e-chains®. The slot allows basic vertical/horizontal shelving arrangements.

Slotted separator	
unassembled	2553
assembled	2554

**Shelf for e-chains®**  
 For applications involving many cables with different diameters, shelves can be fitted at different heights.

Shelf for e-chains®	
unassembled	2200.X
assembled	2210.X

Shelves Width = X [mm]	X [mm]	unassembled		assembled		X [mm]	unassembled		assembled	
		unassembled	assembled	unassembled	assembled		unassembled	assembled		
018	018	2200.18	2210.18	038	2200.38	2210.38	068	2200.68	2210.68	
	023	2200.23	2210.23	043	2200.43	2210.43	073	2200.73	2210.73	
	028	2200.28	2210.28	048	2200.48	2210.48	088	2200.88	2210.88	
	033	2200.33	2210.33	058	2200.58	2210.58	099	2200.99	2210.99	