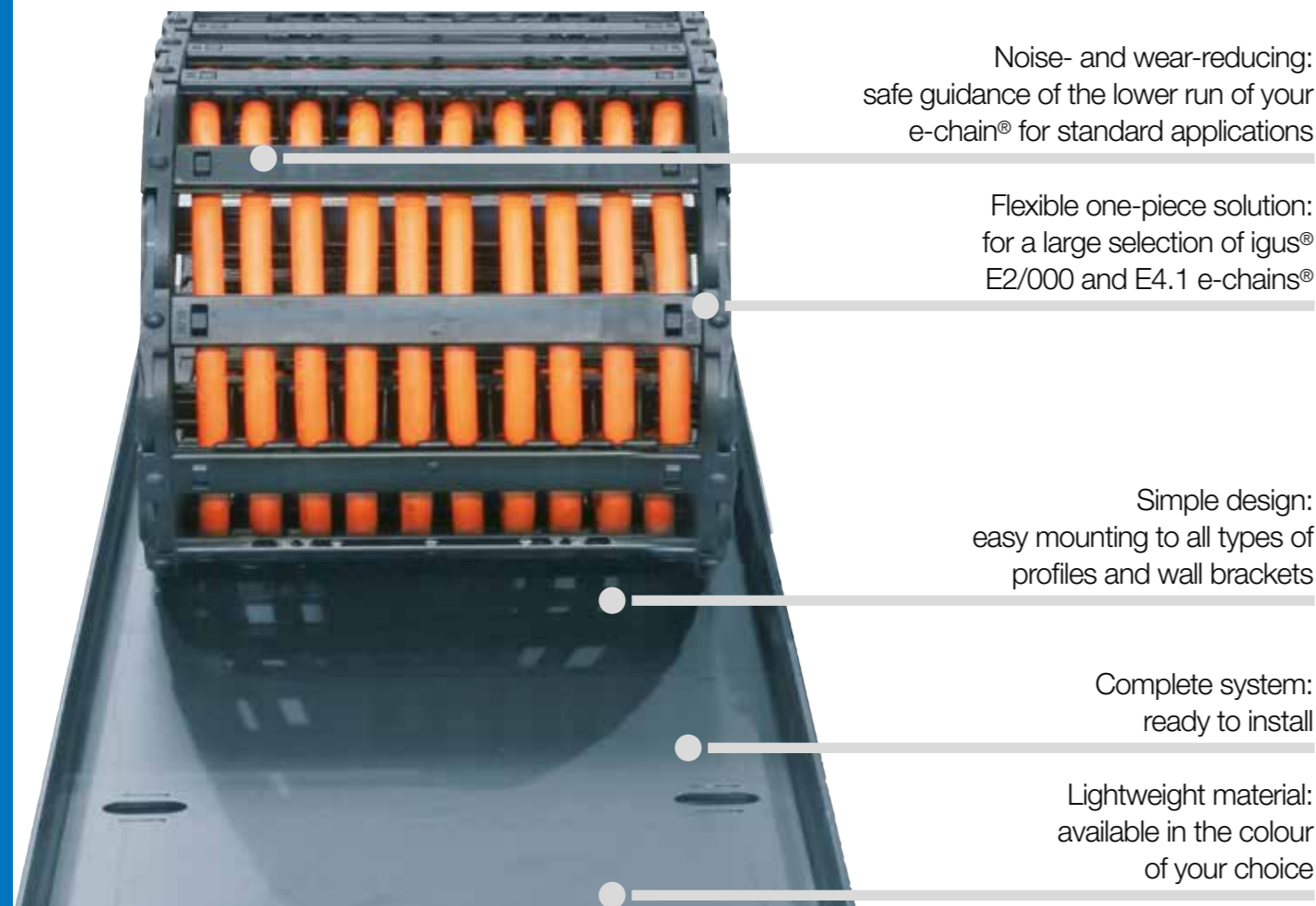
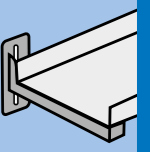


Other guide trough systems

Steel support tray |
Aluminium support tray |
guidefast | guidelite |
Tubular trough |
Snap-in trough |



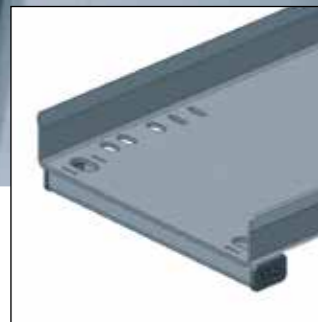
Noise- and wear-reducing: safe guidance of the lower run of your e-chain® for standard applications

Flexible one-piece solution: for a large selection of igus® E2/000 and E4.1 e-chains®

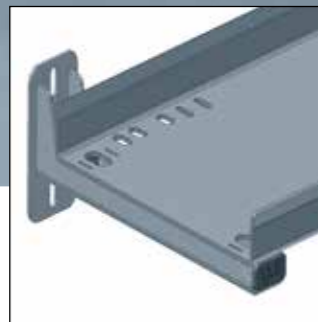
Simple design: easy mounting to all types of profiles and wall brackets

Complete system: ready to install

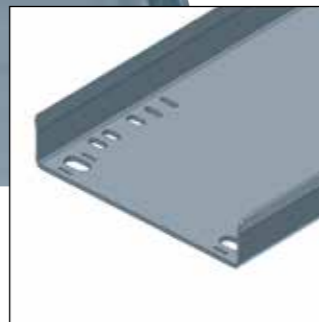
Lightweight material: available in the colour of your choice



Option 01 - with connection rail



Option 02 - with wall bracket



Option 03 - without rail (upon request)



Option 04 - customised (upon request)

For easy support of the lower run - steel support tray

Simple one-piece steel support trays for the e-chain® lower run to your requirements and specification. Your width, height and colour - we supply the fitting e-chain® together with the support tray system, ready to install onto your machine or application. Save time on procurement and design.

- Complete system, ready to install
- Avoids costly custom designs
- Easy installation onto your machine, on profiles or wall brackets
- igus® steel support tray - available in 2 types and 4 options
- Available from stock for many e-chain® widths

Series Part No.	e-chains® <i>Bi</i> [mm]*	<i>B_{Ra}</i> [mm]	<i>B_{Ri}</i> [mm]	Material	Page
Type 01 for series:					
● E2.26 ● E2.38 ● 2400/2450/2480/2500 ● 2600/2650/2680/2700					
● E4.21 ● E4.28/R4.28 ● E4.31L/R4.31L ● E4.32/H4.32/R4.32 ● E4.38L/R4.38L					
● EF61.29/E61.29 ● E6.29/R6.29 ● E61.35 ● E6.35 ● E61.40 ● E6.40/R6.40					
S9.010/011.05.XXXX.0	.05 / .050	89	80	steel, black	1266
S9.010/011.07.XXXX.0	.07 / .070	114	105	steel, black	1266
S9.010/011.10.XXXX.0	.10 / .100	139	130	steel, black	1266
S9.010/011.15.XXXX.0	.15 / .150	185	175	steel, black	1266
Type 02 for series:					
● E2.48 ● 3400/3450/3480/3500 ● E4.48L/R4.48L ● E4.64L					
● E4.42/H4.42/R4.42 ● E4.56/H4.56/R4.56 ● E4.80/H4.80/R4.80					
● 14040/14140/R18840 ● 14240/14340 ● 14550/14650/19050					
● 15050/15150/R19850 ● 15250/15350					
● E61.52 ● E6.52/R6.52 ● E61.62 ● E6.62 ● E61.80 ● E6.80					
S9.020/021.10.XXXX.0	.10 / .100	167	156	steel, black	1268
S9.020/021.15.XXXX.0	.15 / .150	217	206	steel, black	1268
S9.020/021.20.XXXX.0	.20 / .200	267	256	steel, black	1268
S9.020/021.25.XXXX.0	.25 / .250	317	306	steel, black	1268

**Bi* depends on width-index



Available from stock. Ready to ship in 24 - 48hrs.*

*The delivery times indicated correspond to the average time until the ordered goods are dispatched.



Steel support tray with wall bracket for easy attachment to your application

Standard length from stock 1m and 2m



For the following igus® series

E2.1

- E2.26
- E2.38

E2/000

- 2400/2450/2480/2500
- 2600/2650/2680/2700

E4.1L

- E4.31L/R4.31L
- E4.38L/R4.38L

E4.1

- E4.21
- E4.28/R4.28
- E4.32/H4.32/R4.32

E6.1

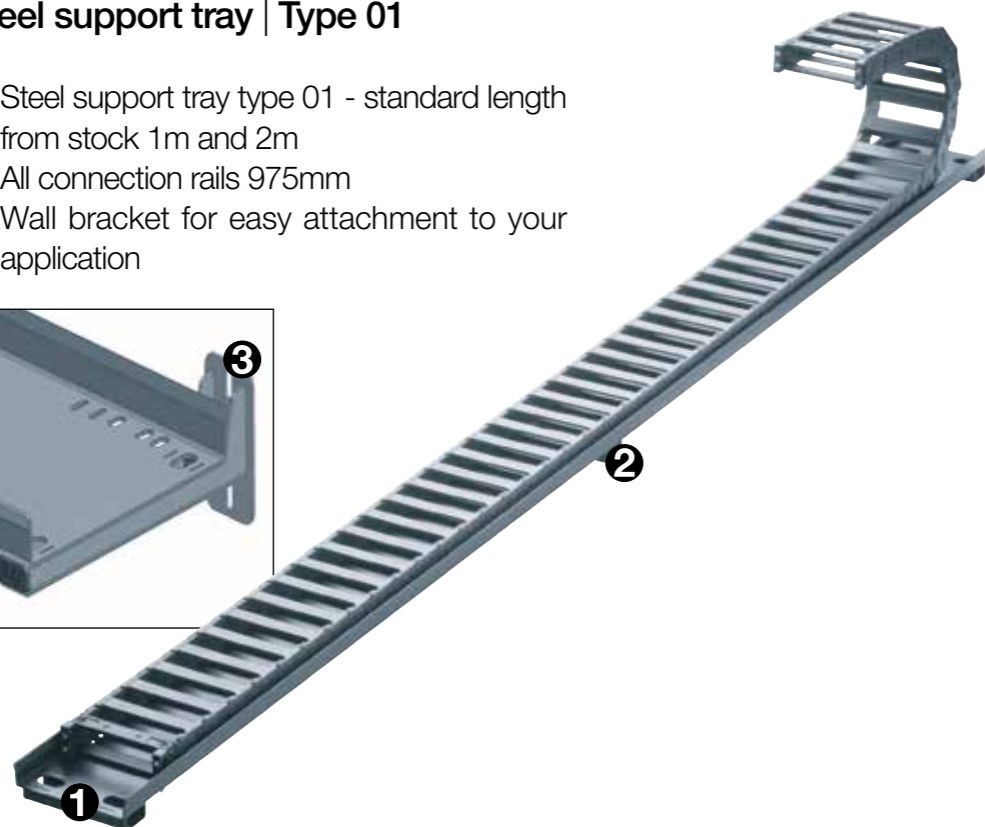
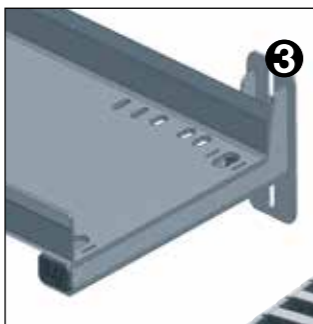
- EF61.29/E61.29
- E61.35
- E61.40

E6

- E6.29/R6.29
- E6.35
- E6.40/R6.40

Steel support tray | Type 01

- 1 Steel support tray type 01 - standard length from stock 1m and 2m
- 2 All connection rails 975mm
- 3 Wall bracket for easy attachment to your application



Type 01 | Series S9.010. | S9.011. | Product range

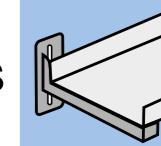
For system	Suitable for the following series	Width index	B _{Ra} [mm]	B _{Rl} [mm]	Part No. support tray, single	Part No. with wall bracket	Part No. wall bracket, single
E2.1 E2/000	E2.26	.05.	89	80	S9.010.05.XXXX.0	S9.011.05.XXXX.0	907.724.05.0
	2400/2450/2480/2500	.07.	114	105	S9.010.07.XXXX.0	S9.011.07.XXXX.0	907.724.07.0
		.10.	139	130	S9.010.10.XXXX.0	S9.011.10.XXXX.0	907.724.10.0
E2.1 E2/000 E4.1L E4.1	E2.38	.05.	89	80	S9.010.05.XXXX.0	S9.011.05.XXXX.0	907.724.05.0
	2600/2650/2680/2700	.07.	114	105	S9.010.07.XXXX.0	S9.011.07.XXXX.0	907.724.07.0
		E4.38L/R4.38L E4.32/H4.32/R4.32	.10.	139	130	S9.010.10.XXXX.0	S9.011.10.XXXX.0
E4.1 E6.1 E6 E6 E6.1	E4.21	.15.	185	175	S9.010.15.XXXX.0	S9.011.15.XXXX.0	907.724.15.0
	EF61.29/E61.29	.050.	89	80	S9.010.05.XXXX.0	S9.011.05.XXXX.0	907.724.05.0
		E6.29/R6.29	.070.	114	105	S9.010.07.XXXX.0	S9.011.07.XXXX.0
E6 E6.1	E6.35	.100.	139	130	S9.010.10.XXXX.0	S9.011.10.XXXX.0	907.724.10.0
	E61.35	.050.	89	80	S9.010.05.XXXX.0	S9.011.05.XXXX.0	907.724.05.0
		E4.31L/R4.31L	.070.	114	105	S9.010.07.XXXX.0	S9.011.07.XXXX.0
E4.1L E4.1 E6 E6.1	E4.28/R4.28	.100.	139	130	S9.010.10.XXXX.0	S9.011.10.XXXX.0	907.724.10.0
	E6.40/R6.40	.150.	185	175	S9.010.15.XXXX.0	S9.011.15.XXXX.0	907.724.15.0
	E61.40						

Please replace XXXX by the standard lengths 1,000 or 2,000mm available from stock

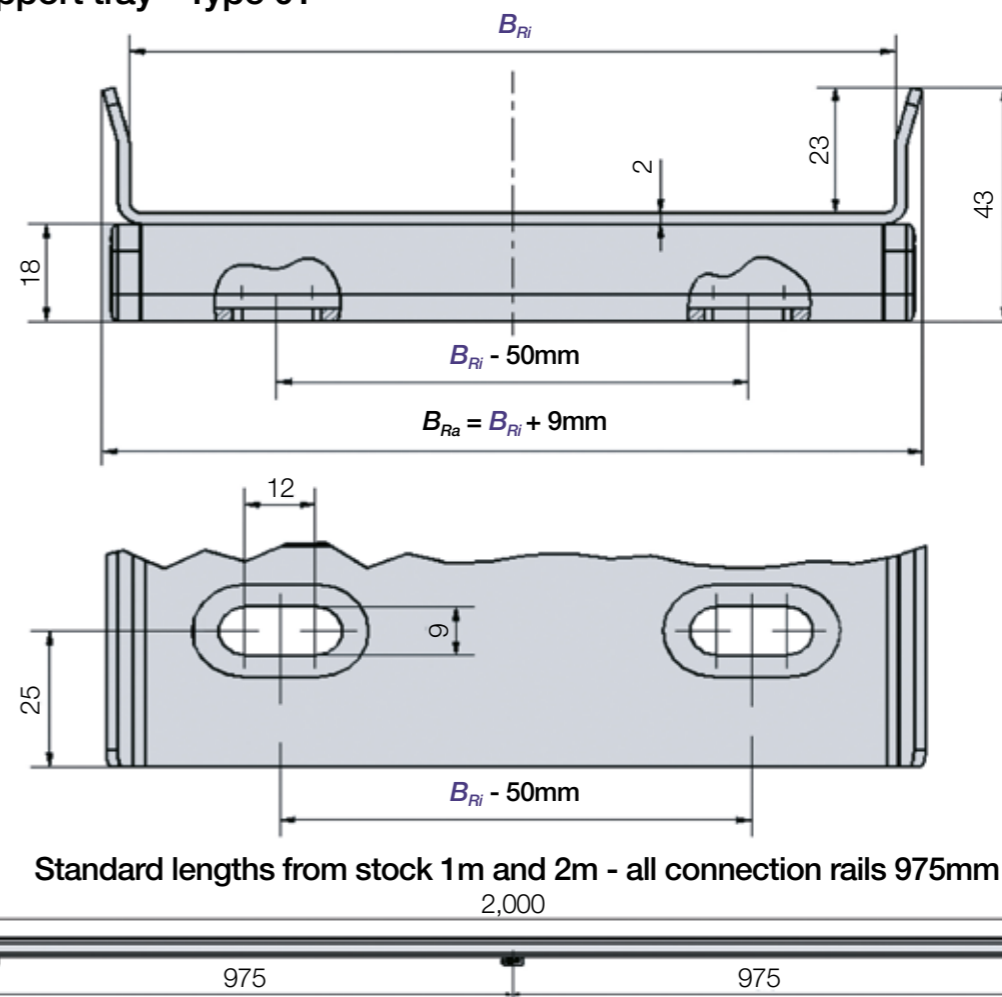
The lengths and widths mentioned here are available from stock in the standard black colour.

For other lengths, widths and colours, please contact us.

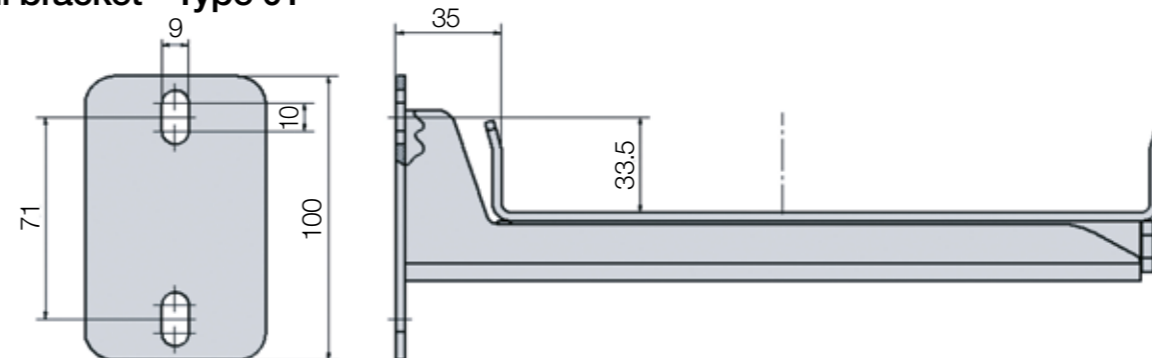
Installation dimensions and mounting holes



Steel support tray - Type 01



Wall bracket - Type 01



Order key

S9.010.07.1000.0

For standard length of 1m

Steel support tray

Without wall bracket

Width e-chain®

Length 1,000mm

Colour, powdered black



Order key

S9.011.15.2000.0

For standard length of 2m

Steel support tray

With wall bracket

Width e-chain®

Length 2,000mm

Colour, powdered black

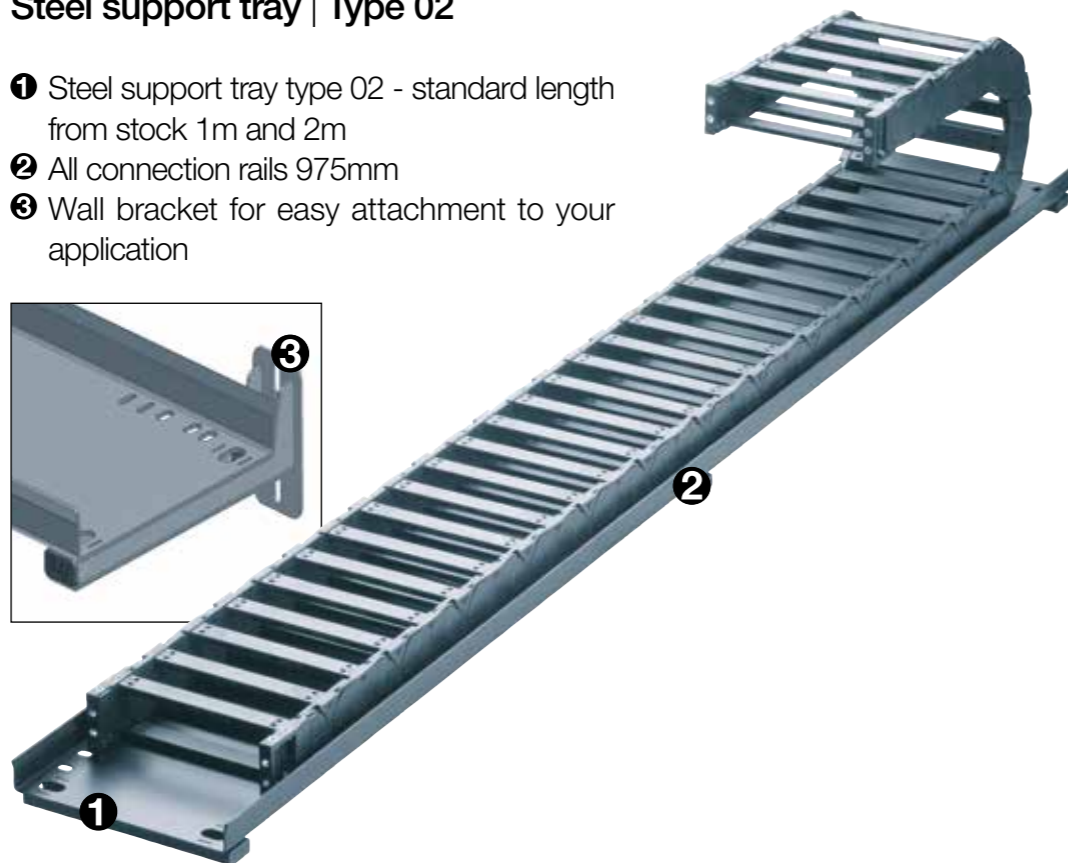
Standard length from stock 1m and 2m

For the following igus® series

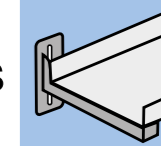
- E2.1**
- E2.48
- E2/000**
- 3400/3450/3480/3500
- E4.1L**
- E4.48L/R4.48L
- E4.64L
- E4.1**
- E4.42/H4.42/R4.42
- E4.56/H4.56/R4.56
- E4.80/H4.80/R4.80
- E4/light**
- 14040/14140/R18840
- 14240/14340
- 14550/14650/19050
- 15050/15150/R19850
- 15250/15350
- E6.1**
- E61.56
- E61.62
- E61.80
- E6**
- E6.56
- E6.62
- E6.80

Steel support tray | Type 02

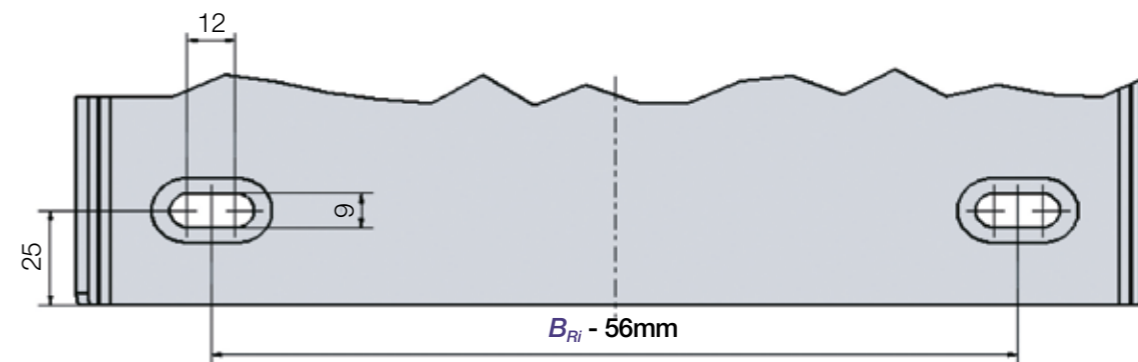
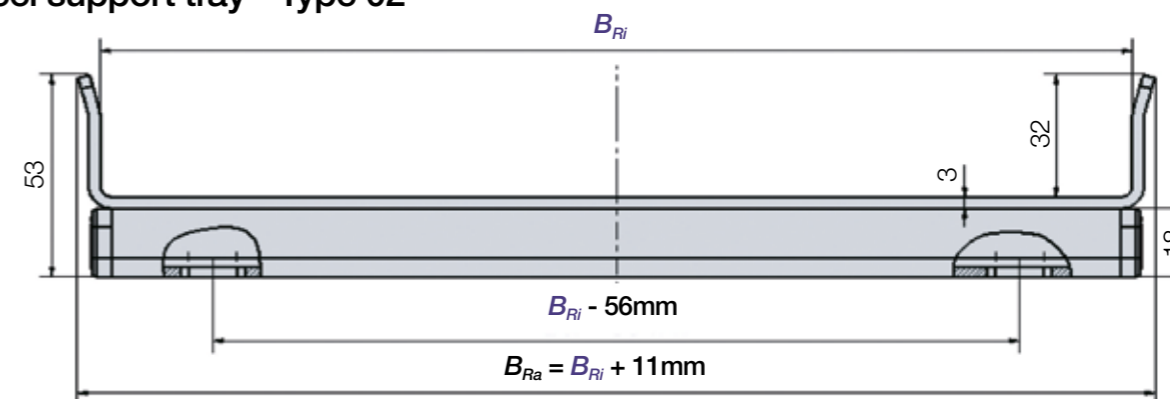
- ❶ Steel support tray type 02 - standard length from stock 1m and 2m
- ❷ All connection rails 975mm
- ❸ Wall bracket for easy attachment to your application



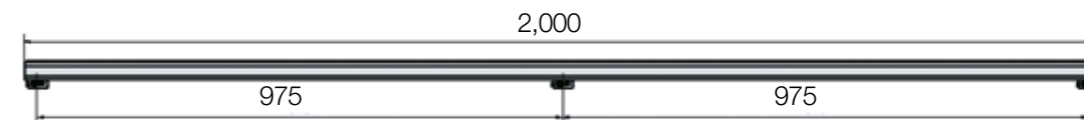
Installation dimensions and mounting holes



Steel support tray - Type 02



Standard lengths from stock 1m and 2m - all connection rails 975mm



Type 02 | Series S9.020. | S9.021. | Product range

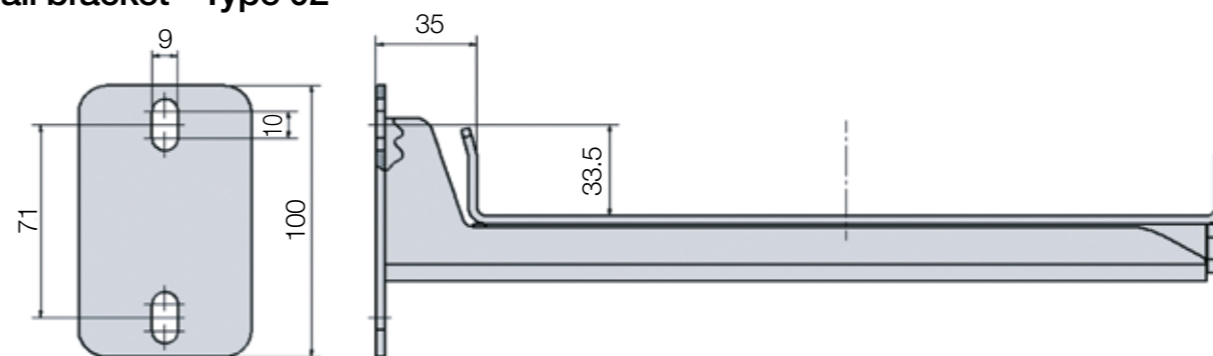
For system	Suitable for the following series	Width index	B _{Ra} [mm]	B _{Ri} [mm]	Part No. support tray, single	Part No. with wall bracket	Part No. wall bracket, single
E4.1L	E4.48L/R4.48L	.10.	167	156	S9.020.10.XXXX.0	S9.021.10.XXXX.0	907.759.010.0
E4.1L	E4.64L	.15.	217	206	S9.020.15.XXXX.0	S9.021.15.XXXX.0	907.759.015.0
E4.1	E4.42/H4.42/R4.42	.20.	267	256	S9.020.20.XXXX.0	S9.021.20.XXXX.0	907.759.020.0
E4.1	E4.56/H4.56/R4.56	.25.	317	306	S9.020.25.XXXX.0	S9.021.25.XXXX.0	907.759.025.0
E4.1	E4.80/H4.80/R4.80						
E4/light	14040/14140/R18840						
E4/light	14240/14340						
E4/light	14550/14650/19050						
E4/light	15050/15150/R19850						
E4	15250/15350						
E6.1	E61.62						
E6.1	E61.80						
E6	E6.62						
E6	E6.80						
E2.1	E2.48	.100.	167	156	S9.020.10.XXXX.0	S9.021.10.XXXX.0	907.759.010.0
E2/000	3400/3450/3480/3500	.150.	217	206	S9.020.15.XXXX.0	S9.021.15.XXXX.0	907.759.015.0
E6	E6.52/R6.52	.200.	267	256	S9.020.20.XXXX.0	S9.021.20.XXXX.0	907.759.020.0
		.250.	317	306	S9.020.25.XXXX.0	S9.021.25.XXXX.0	907.759.025.0

Please replace XXXX by the standard lengths 1,000 or 2,000mm available from stock

The lengths and widths mentioned here are available from stock in the standard black colour.

For other lengths, widths and colours, please contact us.

Wall bracket - Type 02



Order key

S9.020.20.1000.0

For standard length of 1m

Steel support tray

Without wall bracket

Width e-chain®

Length 1,000mm

Colour, powdered black

Order key

S9.021.20.2000.0

For standard length of 2m

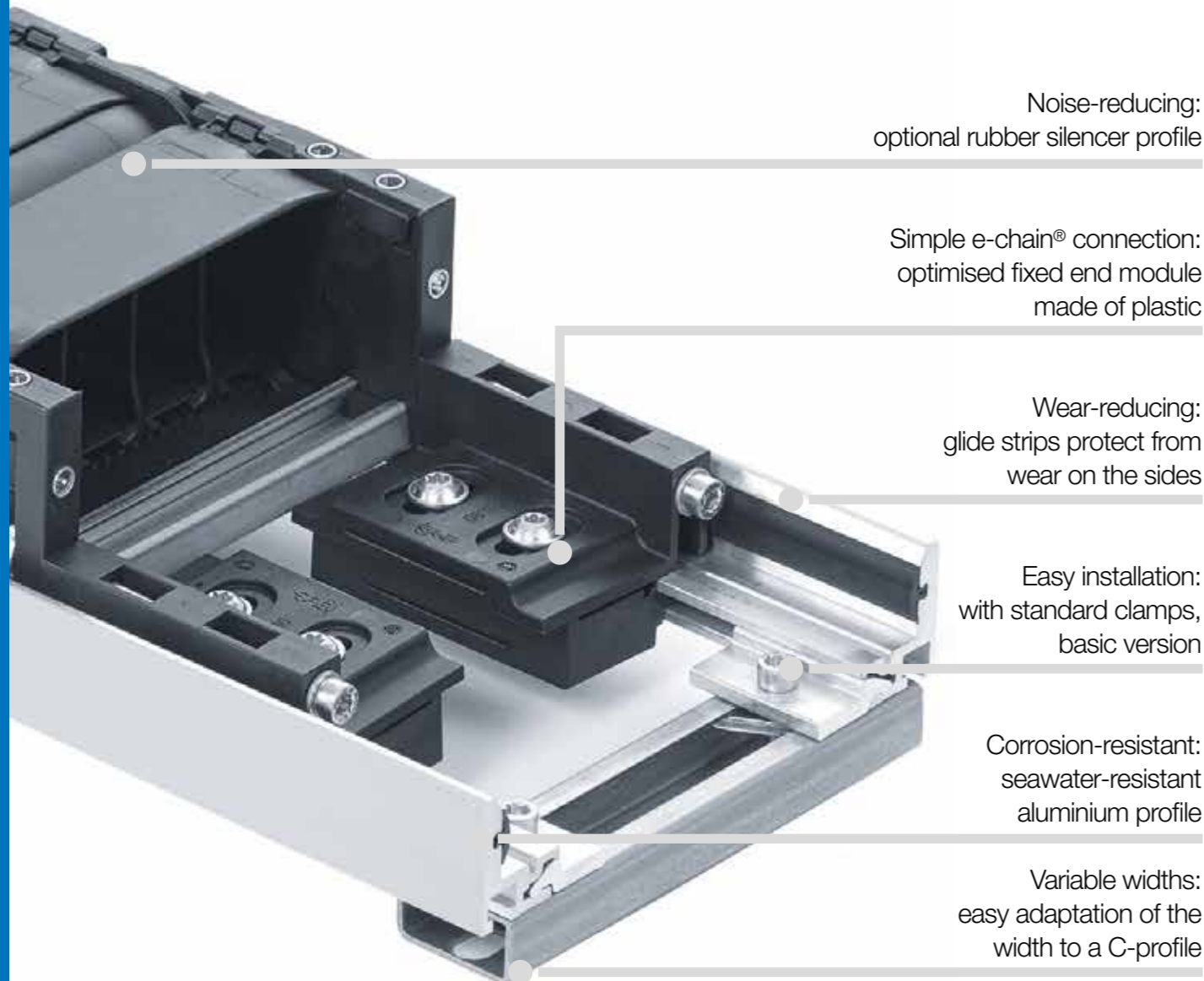
Steel support tray

With wall brackets

Width e-chain®

Length 2,000mm

Colour, powdered black



Noise-reducing:
optional rubber silencer profile

Simple e-chain® connection:
optimised fixed end module
made of plastic

Wear-reducing:
glide strips protect from
wear on the sides

Easy installation:
with standard clamps,
basic version

Corrosion-resistant:
seawater-resistant
aluminium profile

Variable widths:
easy adaptation of the
width to a C-profile

The flexible construction kit to support the lower run - aluminium support tray

The design of this aluminium support tray emulates the igus® aluminium SuperTrough. This modular construction kit covers the standard sizes of our e-chains®. Because of its flexible width adjustment using installation sets with C-profiles, the aluminium support tray is used with various e-chains® series and widths. A support trough consists of 2 trough side pieces with 2m length. Standard installation sets can be used, just as for the aluminium SuperTrough.

- Corrosion-resistant, seawater-resistant aluminium profile
- Wear-reducing glide strips integrated as standard
- Quiet movement of the e-chain® with optional silencer profile
- Simple assembly on flexible width C-profiles with basic clamps
- e-chain® easily connects to aluminium support tray using plastic fixed end modules
- Open guide trough design, debris can fall through
- Conductivity according to DIN EN 61537 - as standard



Part No. without silencer profile	Part No. with silencer profile	Outer height H_{Ra} [mm]	Part No. installation set	Side part material	Page
9AT.35.SL	9AT.35.SLA	35	960AT.30.XXX*	aluminium	1270



Aluminium support tray
available with and without silencer profile

For the following systems:

- E2.1 ● E2/000 ● R2.1 ● E4.1L ● E4.1 ● E6.1 ● E6

*XXX = C-profile length



Available from stock. Ready to ship in 24 - 48hrs.*

*The delivery times indicated correspond to the average time until the ordered goods are dispatched.



An aluminium support tray consists of two 2 trough side pieces each with 2m long

Aluminium support tray | Individual parts

Components, guide troughs and components, mounting kits

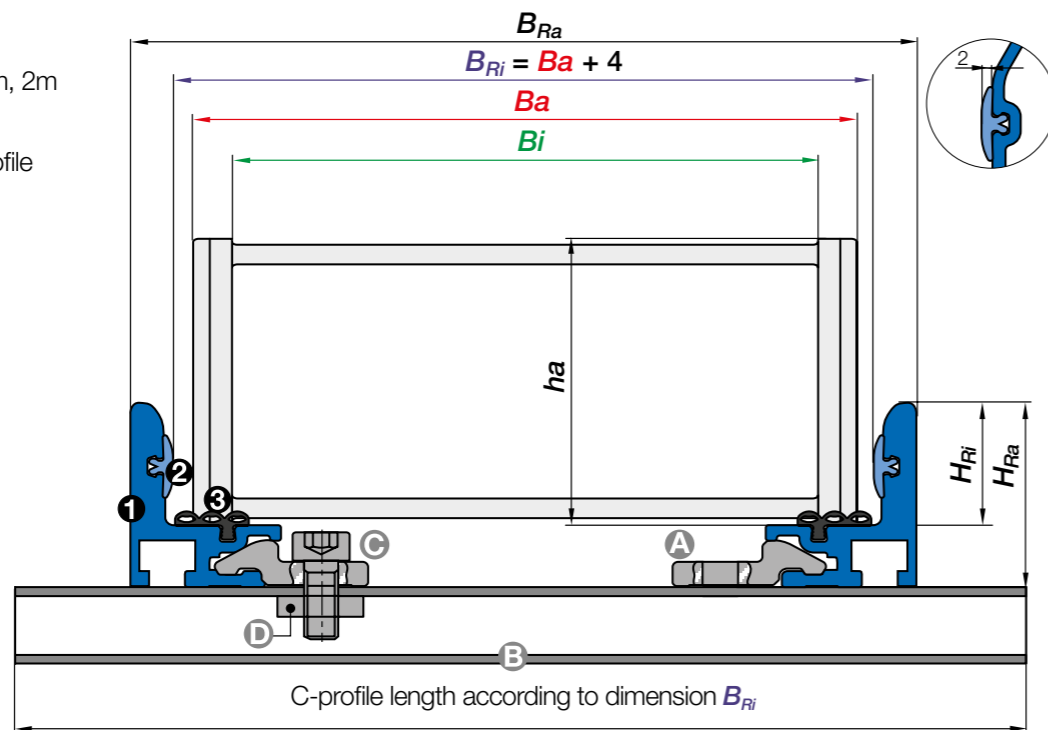
Components

- ❶ Trough side parts, aluminium, 2m
- ❷ Glide strip, plastic, 2m
- ❸ Optional: rubber silencer profile

Components, installation set

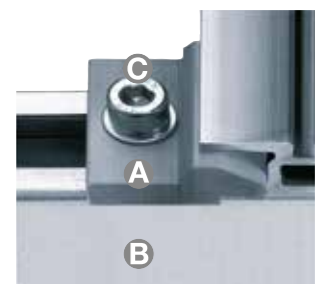
- Ⓐ Bottom clamp, aluminium
- Ⓑ C-profile¹⁾, galvanised steel
- Ⓒ Allen wrench
- Ⓓ Sliding nut

- Ba = e-chain[®] outer width
- Bi = e-chain[®] inner width
- ha = e-chain[®] outer height
- H_{Ri} = Trough inner height
- H_{Ra} = Trough outer height
- B_{Ri} = Trough inner width
- B_{Ra} = Trough outer width

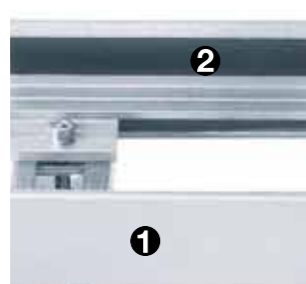


1) C-profile also available in 304 stainless steel. Material 1.4301 (AISI 304)

Aluminium support tray | Features



Simple fastening with basic bottom clamp and C-profile



Wear-reducing glide strips



Noise-reducing with silencer profile option

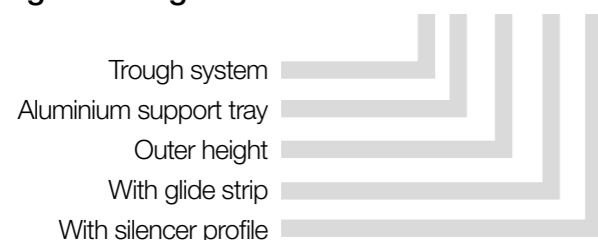


Simple connection to the e-chain[®] with the fixed end module

Order example | Based on Part No. 9AT.35.SLA

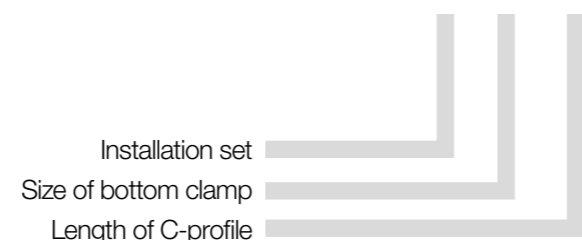
Order key
guide trough

9AT.35.SLA



Order key
installation set

960AT.30.125

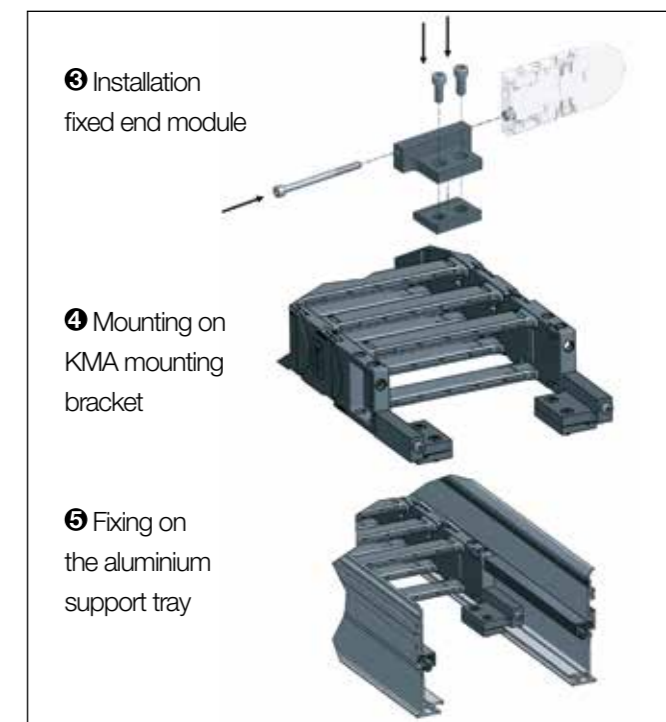
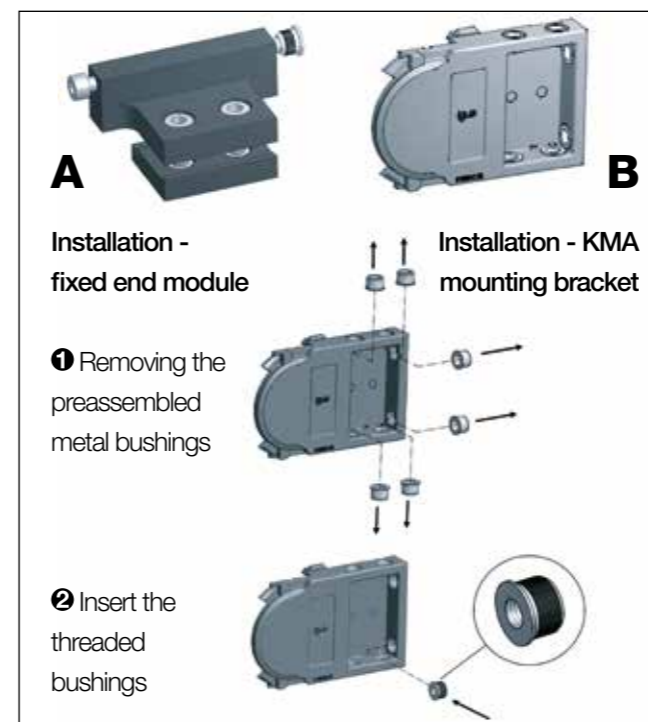
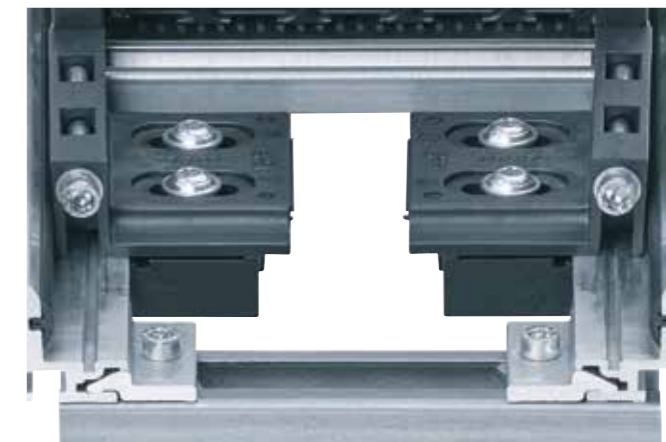


Aluminium support tray | Fixed end module

Quick and simple fixing onto the aluminium support tray

Fixed end module - to attach the e-chain[®] into the aluminium support tray

- Mounting bracket attachment on the aluminium support tray without drilling
- Fixed end module is clamped to the trough
- Save installation time
- Minimise errors from drilling holes
- Stainless and cost-effective



Fixed end module | Fixed end clamp | Product range

Series	For aluminium support tray	For e-chain [®] series	From inner width Bi [mm]	Mounting bracket
971.80.4 ¹⁾	9AT.35.SL 9AT.35.SLA	E2.26, 2400/2500/2450/2480, E6.29, EF61.29/E61.29	.07	KMA
972.80.4 ¹⁾	9AT.35.SL 9AT.35.SLA	E4.28/R4.28, E4.31L/R4.31L, E6.35, E61.35	.06	KMA
972.80.4 ¹⁾	9AT.35.SL 9AT.35.SLA	E4.32/H4.32/R4.32, E4.38L/R4.38L, E6.40/R6.40, E61.40	.06	KMA
972.80.4 ¹⁾	9AT.35.SL 9AT.35.SLA	2600/2700/2650/2680	.06	KMA

More series available upon request

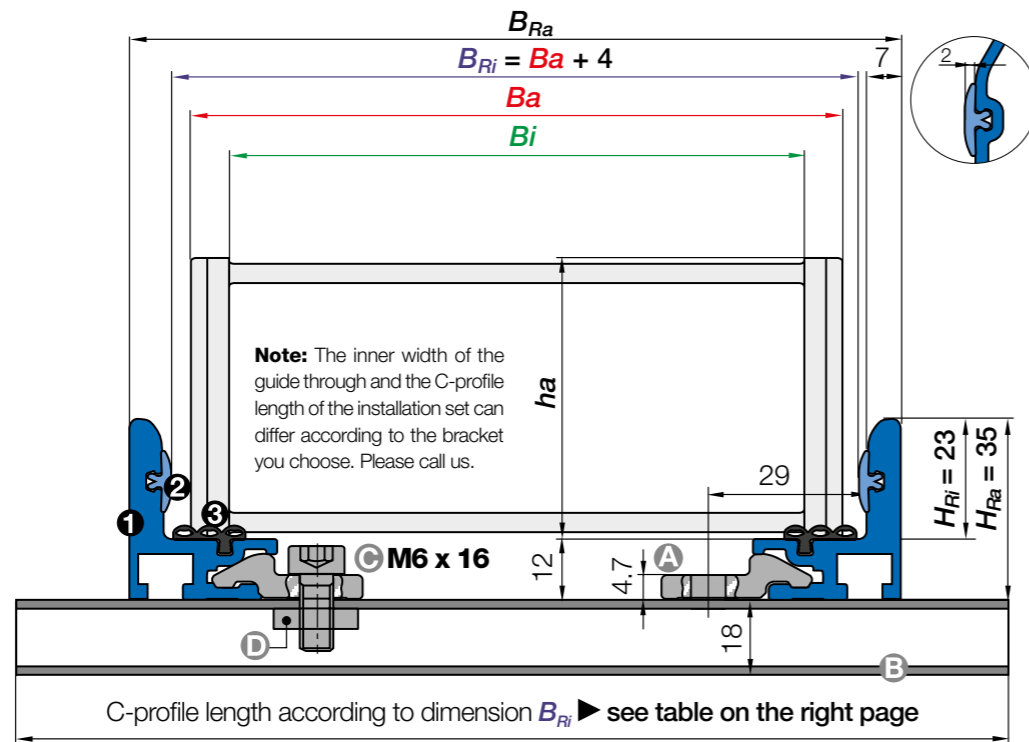
1) Material: plastic. Material screw kits: standard steel, galvanised. Option: 316 stainless steel, material 1.4571 (AISI 316Ti), standard steel, galvanised.

Available from stock. Ready to ship in 24 - 48hrs.*

*The delivery times indicated correspond to the average time until the ordered goods are dispatched.

For the following igus® series

- E2.1**
- E2.26
- E2/000**
- 2400/2500/2450/2480
- 2600/2700/2650/2680
- E4.1L**
- E4.31L/R4.31L
- E4.38L/R4.38L
- E4.1**
- E4.28/R4.28
- E4.32/H4.32/R4.32
- E6.1**
- EF61.29/E61.29
- E61.35
- E61.40
- E6**
- E6.29
- E6.35
- E6.40/R6.40



C-profile length according to dimension B_{Ri} ▶ see table on the right page

Aluminium support tray | Full set

Trough side parts sets - consisting of part ① ② ③	Part No.	Weight
1 set of 2 trough side parts, incl. glide strips, without silencer profile, 2m section	9AT.35.SL	≈ 3.470kg
1 set of 2 trough side parts, incl. glide strips, with silencer profile, 2m section	9AT.35.SLA	≈ 3.714kg

Installation sets A B C D	Part No.	Weight
1 installation set without C-profile	960.30	upon request
1 installation set with C-profile (C-profile length according to dimension B_{Ri})	960AT.30.XXX*	upon request

*Please add the C-profile length **XXX** as shown on the tables on the right page. Example: 960AT.30.150

Aluminium support tray | Components as individual parts

Individual parts, trough	Part No.	Weight
① 1 trough side part, individual, 2m section	9AT.35.11	≈ 1.673kg
② 1 glide strip, plastic, individual, 2m section	75.01	≈ 0.062kg
③ 1 silencer profile, rubber, individual, 2m section (optional for an additional noise dampening)	75.67.H.2000	≈ 0.122kg
Individual parts, installation set	Part No.	Weight
A 1 bottom clamp, aluminium individual	75.40	≈ 0.03kg
B 1 C-profile, individual (C-profile length according to dimension B_{Ri})	92.52.XXX.E*	≈ 0.90kg/m
C 1 screw M6 x 16, individual	MAT 0040209 / M6 x16	
D 1 glide nut, individual	MAT 0040057 / M6	
Additional option for simple fastening of the e-chain® without drilling	Part No.	
1 set fixed end module (more information ▶ Page 1273)	971.80.4 / 972.80.4	

*Please add the C-profile length **XXX** as shown on the tables on the right page. Example: 92.52.125.E

C-profile also available in 304 stainless steel. Material 1.4301 (AISI 304). Please add index **E** to the Part No.

C-profile lengths

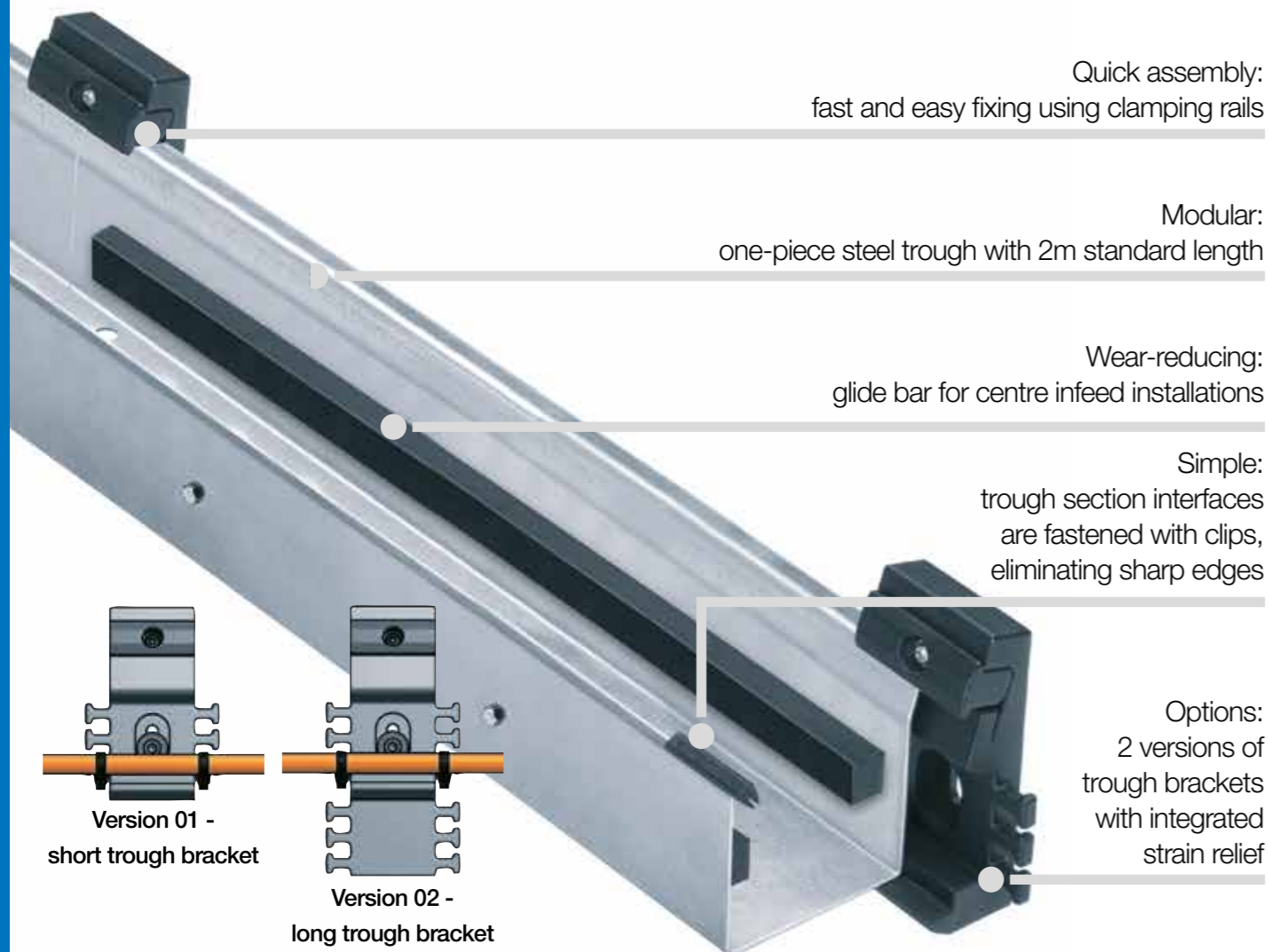
For aluminium support tray with fixed end module

(depending to dimension B_{Ri}), bottom clamp attached inwards

E2.26			2400/2500/2450/2480			2600/2700/2650/2680			E4.31L/R4.31L			E4.28/R4.28		
Width index	B_{Ri} [mm]	Part No. attached inwards	Width index	B_{Ri} [mm]	Part No. attached inwards	Width index	B_{Ri} [mm]	Part No. attached inwards	Width index	B_{Ri} [mm]	Part No. attached inwards	Width index	B_{Ri} [mm]	Part No. attached inwards
.07	97	960AT.30.150	.07	97	960AT.30.150	.06	85	960AT.30.150	.062	80	960AT.30.150	.062	86	960AT.30.150
.09	109	960AT.30.175	.09	109	960AT.30.175	.07	95	960AT.30.150	.075	93	960AT.30.150	.070	94	960AT.30.150
.10	123	960AT.30.175	.10	123	960AT.30.175	.09	110	960AT.30.175	.087	105	960AT.30.175	.075	99	960AT.30.150
.12	145	960AT.30.200	.12	145	960AT.30.200	.10	120	960AT.30.175	.100	118	960AT.30.175	.087	111	960AT.30.175
						.12	145	960AT.30.200	.112	130	960AT.30.200	.100	124	960AT.30.175
						.15	170	960AT.30.225	.125	143	960AT.30.200	.125	149	960AT.30.200
						.17	198	960AT.30.250	.137	155	960AT.30.225	.150	174	960AT.30.225
									.150	168	960AT.30.225	.175	199	960AT.30.250
									.162	180	960AT.30.250	.200	224	960AT.30.275
									.175	193	960AT.30.250	.225	249	960AT.30.300
									.187	205	960AT.30.275	.250	274	960AT.30.325
									.200	218	960AT.30.275	.275	299	960AT.30.350
									.300	324	960AT.30.375			

EF61.29/E61.29			E61.35			E61.40			E4.38L/R4.38L			E4.32/H4.32/R4.32		
Width index	B_{Ri} [mm]	Part No. attached inwards	Width index	B_{Ri} [mm]	Part No. attached inwards	Width index	B_{Ri} [mm]	Part No. attached inwards	Width index	B_{Ri} [mm]	Part No. attached inwards	Width index	B_{Ri} [mm]	Part No. attached inwards
.070	90	960AT.30.150	.060	84	960AT.30.150	.062	86	960AT.30.150	.062	82	960AT.30.150	.06	95	960AT.30.150
.080	100	960AT.30.150	.070	94	960AT.30.150	.070	94	960AT.30.150	.075	95	960AT.30.150	.07	102	960AT.30.150
.090	110	960AT.30.175	.080	104	960AT.30.150	.075	99	960AT.30.150	.087	107	960AT.30.175	.087	114	960AT.30.175
.100	120	960AT.30.175	.090	114	960AT.30.175	.087	111	960AT.30.175	.100	120	960AT.30.175	.10	127	960AT.30.175
.110	130	960AT.30.200	.100	124	960AT.30.175	.100	124	960AT.30.175	.105	125	960AT.30.175	.11	135	960AT.30.200
.120	140	960AT.30.200	.110	134	960AT.30.200	.125	149	960AT.30.200	.112	132	960AT.30.200	.112	140	960AT.30.200
			.120	144	960AT.30.200	.150	174	960AT.30.225	.125	145	960AT.30.200	.12	152	960AT.30.200
						.175	199	960AT.30.250	.137	157	960AT.30.225	.137	165	960AT.30.225
						.200	224	960AT.30.275	.200	224	960AT.30.275	.15	177	960AT.30.225
						.225	249	960AT.30.300	.225	249	960AT.30.300	.162	190	960AT.30.250
						.250	274	960AT.30.325	.250	274	960AT.30.325	.175	195	960AT.30.250
						.275	299	960AT.30.350	.275	299	960AT.30.350	.187	202	960AT.30.250
						.300	324	960AT.30.375	.300	324	960AT.30.375	.200	220	960AT.30.275
									.212	232	960AT.30.300	.20	227	960AT.30.275
									.225	245	960AT.30.300	.212	240	960AT.30.300

E6.29/R6.29			E6.35			E6.40/R6.40								
Width index	B_{Ri} [mm]	Part No. attached inwards	Width index	B_{Ri} [mm]	Part No. attached inwards	Width index	B_{Ri} [mm]	Part No. attached inwards	Width index	B_{Ri} [mm]	Part No. attached inwards	Width index	B_{Ri} [mm]	Part No. attached inwards
.070	90	960AT.30.150	.060	84	960AT.30.150	.062	86	960AT.30.150	.262	282	960AT.30.325	.25	277	960AT.30.325
.080	100	960AT.30.150	.070	94	960AT.30.150	.070	94	960AT.30.150	.275	295	960AT.30.350	.262	290	960AT.30.350
.090	110	960AT.30.175	.080	104	960AT.30.150	.075	99	960AT.30.150	.287	307	960AT.30.350	.28	302	960AT.30.350
.100	120	960AT.30.175	.090	114	960AT.30.175	.087	111	960AT.30.175	.300	320	960AT.30.375	.29	315	960AT.30.375
.110	130	960AT.30.200	.100	124	960AT.30.175	.100	124	960AT.30.175	.312	332	960AT.30.375	.30	327	960AT.30.375
.120	140	960AT.30.200	.110	134	960AT.30.200	.125	149	960AT.30.200	.325	345	960AT.30.400	.312	340	960AT.30.400
			.120	144	960AT.30.200	.150	174	960AT.30.225	.337	357	960AT.30.400	.325	352	960AT.30.400
						.175	199	960AT.30.250	.350	370	960AT.30.425	.337	365	960AT.30.425
						.200	224	960AT.30.275	.362	382	960AT.30.450	.350	377	960AT.30.425
						.225	249	960AT.30.300	.375	395	960AT.30.450	.362	390	960AT.30.450
						.250	274	960AT.30.325	.387	407	960AT.30.450	.375	402	960AT.30.450
						.275	299	960AT.30.350	.400	420	960AT.30.475	.387	415	960AT.30.475
						.300	324	960AT.30.375	.400	427	960AT.30.475	.400	427	960AT.30.475

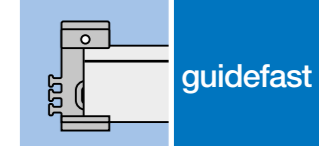



Energy supply for crane girders and indoor cranes - guidefast


- The guidefast guide trough is mounted on the side of the crane girder so that welded brackets are not necessary
- Save up to 80% installation time compared to standard trough systems
- Cost-effective modular solution
- Fits virtually any standard crane girder
- 2 versions of brackets with integrated strain relief for static cable runs on the crane girder
- Suitable for any wall-mounted application - not only cranes
- Easy to install due to preassembled hole patterns of e-chain® brackets
- Standard material: galvanised steel,
- Optional: 304 stainless steel, material 1.4301 (AISI 304) or black powder coated
- Conductivity according to DIN EN 61537: as standard with special connector
- Long-term tested to withstand vibration and tough environments

Typical industries and applications

- Crane manufacturers (mainly indoor cranes)
- Applications where wall-mounted installation of the guide trough is beneficial



Series Part No.	For e-chain® series Bi [mm]	B _{Ri} [mm]	Complete width [mm]	Material trough profile	Page
					
guidefast - without glide bar for the following series: ● E2.26 ● E2.38 ● 1500 ● 2500 ● 2700					
GF91.30.025.2000	–	1500.025.	42.5	galvanised steel*	1279
GF91.30.050.2000	–	1500.050.	67.5	galvanised steel*	1279
GF92.30.03. 2000	E2.26.038.	2500.03.	58	galvanised steel*	1279
GF92.30.05. 2000	E2.26.057.	2500.05.	77	galvanised steel*	1279
GF92.30.07. 2000	E2.26.077.	2500.07.	97	galvanised steel*	1279
GF92.30.09. 2000	–	2500.09.	109	galvanised steel*	1279
GF92.30.10. 2000	–	2500.10.	123	galvanised steel*	1279
GF95.30.05. 2000	E2.38.050.	2700.05.	70	galvanised steel*	1279
GF95.30.07. 2000	E2.38.075.	2700.07.	95	galvanised steel*	1279
GF95.30.10. 2000	E2.38.100.	2700.10.	120	galvanised steel*	1279

					
guidefast - with glide bar for the following series: ● E2.26 ● E2.38 ● 1500 ● 2500 ● 2700					
GF91.31.025.2000	–	1500.025.	42.5	galvanised steel*	1279
GF91.31.050.2000	–	1500.050.	67.5	galvanised steel*	1279
GF92.31.03. 2000	E2.26.038.	2500.03.	58	galvanised steel*	1279
GF92.31.05. 2000	E2.26.057.	2500.05.	77	galvanised steel*	1279
GF92.31.07. 2000	E2.26.077.	2500.07.	97	galvanised steel*	1279
GF92.31.09. 2000	–	2500.09.	109	galvanised steel*	1279
GF92.31.10. 2000	–	2500.10.	123	galvanised steel*	1279
GF95.31.05. 2000	E2.38.050.	2700.05.	70	galvanised steel*	1279
GF95.31.07. 2000	E2.38.075.	2700.07.	95	galvanised steel*	1279
GF95.31.10. 2000	E2.38.100.	2700.10.	120	galvanised steel*	1279

*Standard material: galvanised steel. Optional: 304 stainless steel, material 1.4301 (AISI 304) or black powder coated



Available from stock. Ready to ship in 24 - 48hrs.*

*The delivery times indicated correspond to the average time until the ordered goods are dispatched.

For the following igus® series

E2.1

- E2.26
- E2.38

E2/000

- 1500
- 2500
- 2700

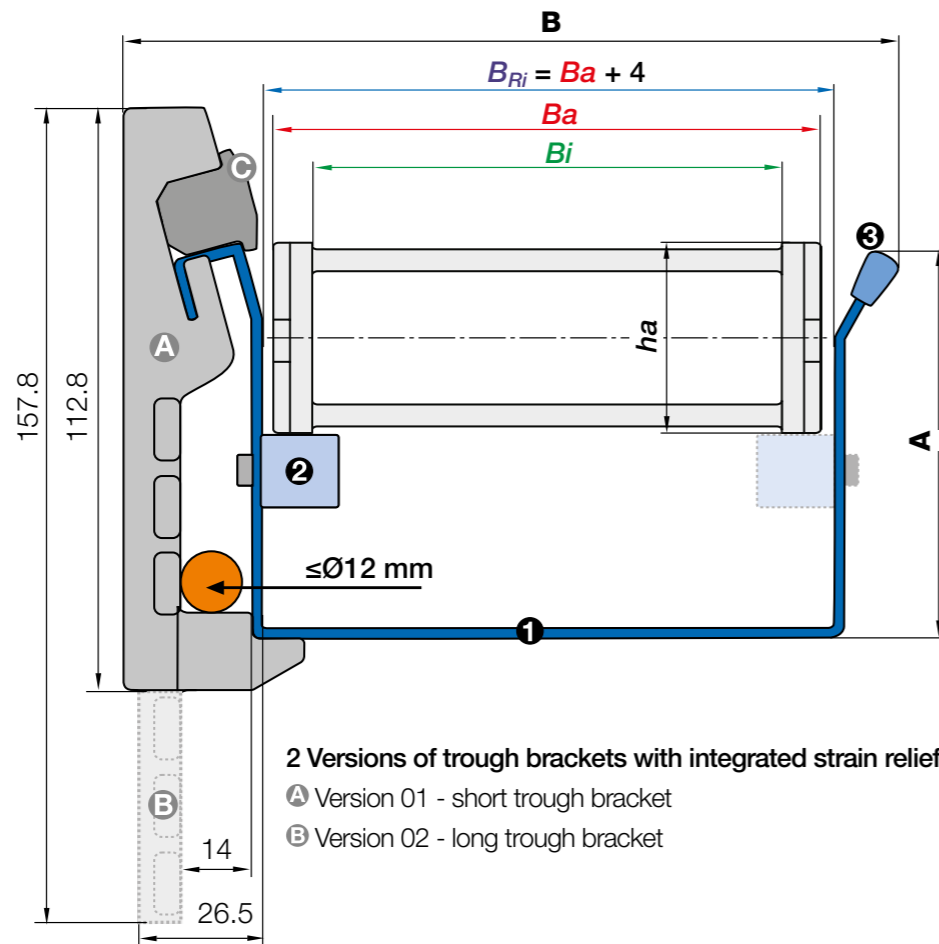
Components, guidefast set

- ❶ Trough profile, 2m section
- ❷ Glide bar, polymer, 2m section, optional
- ❸ Clip connector, Part No. 908.467
(electrically conductive clip: 911.301.CD)

Components - trough bracket

- Ⓐ Version 01 - short trough bracket
- Ⓑ Version 02, long trough bracket
- Ⓒ Clamping blocks, Part No. G9.2.10

Ba = e-chain® outer width
Bi = e-chain® inner width
ha = e-chain® outer height
B_{Ri} = Trough inner width

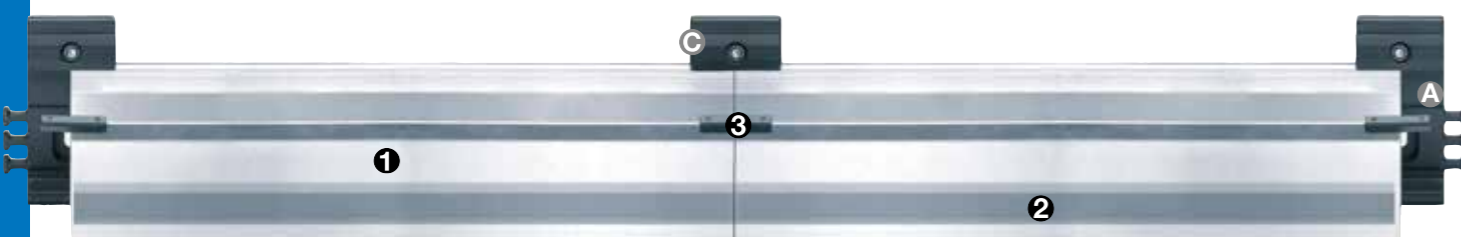


2 Versions of trough brackets with integrated strain relief

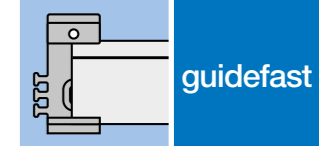
- Ⓐ Version 01 - short trough bracket
- Ⓑ Version 02 - long trough bracket



guidefast guide trough without glide bar, short trough bracket, standard length from stock 2m



guidefast guide trough with glide bar, short trough bracket, standard length from stock 2m



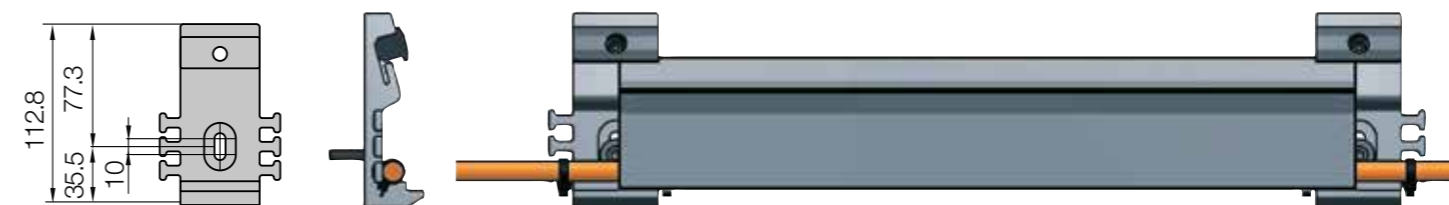
Trough profile | Product range | Installation dimensions

For e-chain® series	Trough profile without glide bar (set with clips)	Trough profile with glide bar (set with clips)	B _{Ri} [mm]	A [mm]	B [mm]
-	1500.025.	GF91.30.025.2000	42.5	61	81
-	1500.050.	GF91.30.050.2000	67.5	61	106
E2.26.038.	2500.03.	GF92.30.03. 2000	58	75	97
E2.26.057.	2500.05.	GF92.30.05. 2000	77	75	115.5
E2.26.077.	2500.07.	GF92.30.07. 2000	97	75	135.5
-	2500.09.	GF92.30.09. 2000	109	75	148
-	2500.10.	GF92.30.10. 2000	123	75	161.5
E2.38.050.	2700.05.	GF95.30.05. 2000	70	105	108.5
E2.38.075.	2700.07.	GF95.30.07. 2000	95	105	133.5
E2.38.100.	2700.10.	GF95.30.10. 2000	120	105	158.5

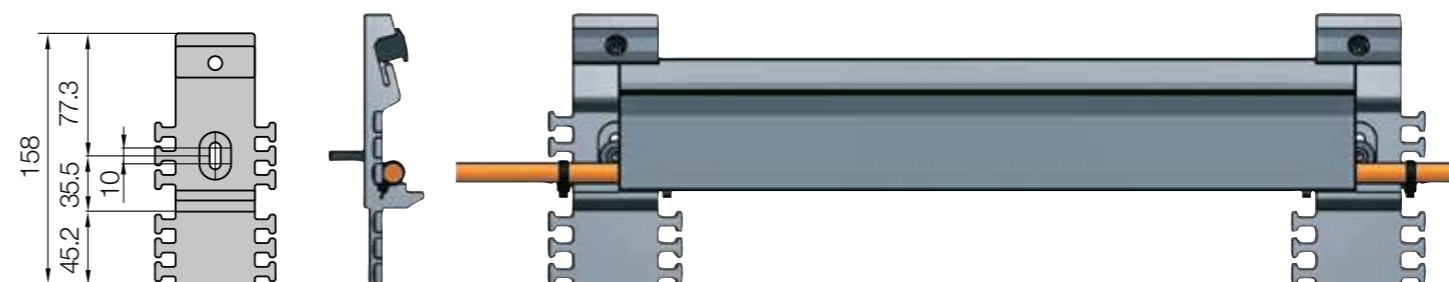
Standard material: galvanised steel. Optional: 304 stainless steel, material 1.4301 (AISI 304) or black powder coated

Trough brackets with integrated strain relief | 2 versions | Product range | Installation dimensions

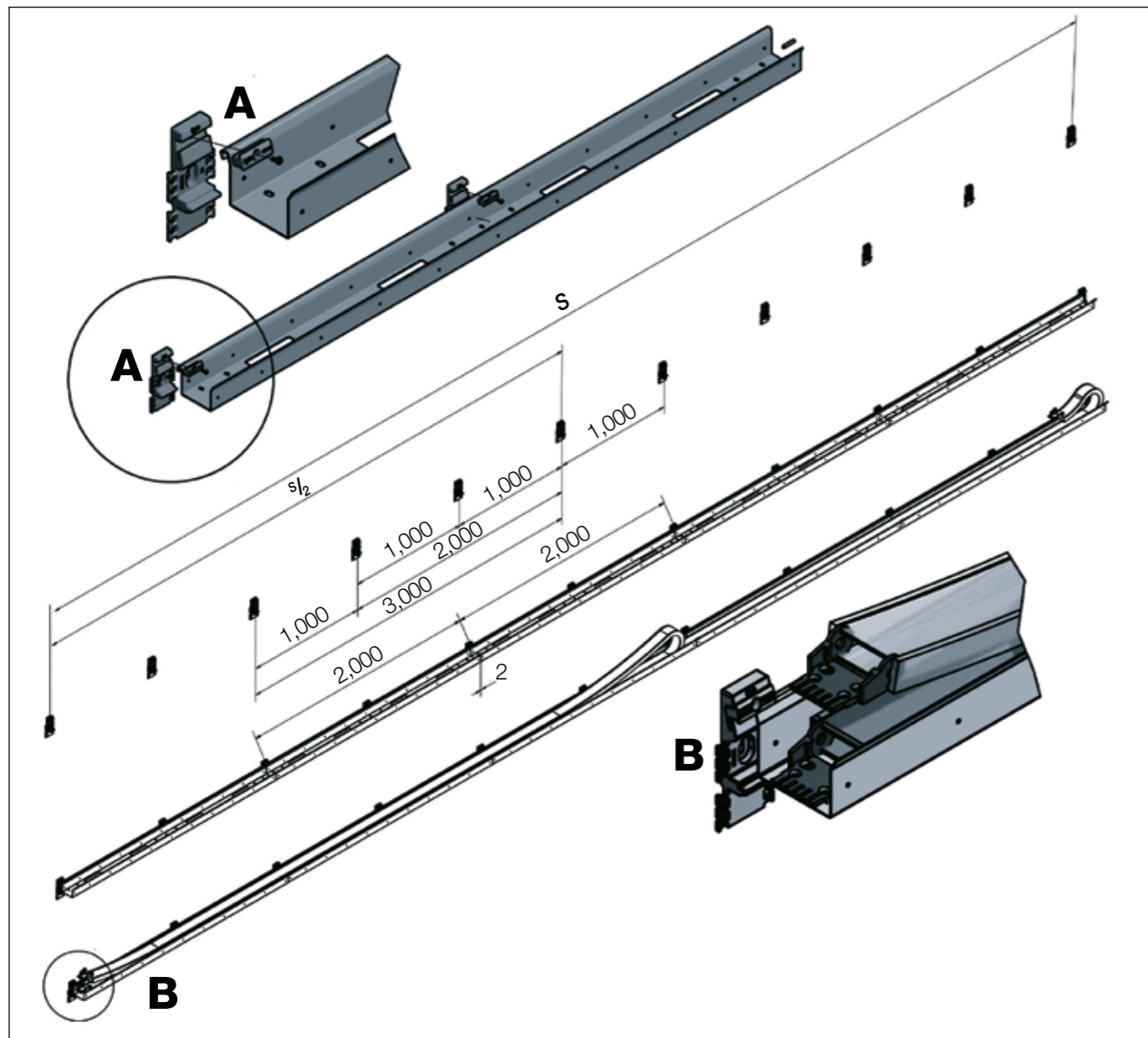
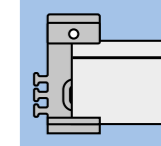
For Trough profile	guidefast trough bracket short version 01 (set with clamping blocks)	guidefast trough bracket long version 02 (set with clamping blocks)
GF91.XX.025.	GF9.2.12	GF9.2.11
GF91.XX.050.	GF9.2.12	GF9.2.11
GF92.XX.03.	GF9.2.12	GF9.2.11
GF92.XX.05.	GF9.2.12	GF9.2.11
GF92.XX.07.	GF9.2.12	GF9.2.11
GF92.XX.09.	GF9.2.12	GF9.2.11
GF92.XX.10.	GF9.2.12	GF9.2.11
GF95.XX.05.	GF9.2.12	GF9.2.11
GF95.XX.07.	GF9.2.12	GF9.2.11
GF95.XX.10.	GF9.2.12	GF9.2.11




Version 01 - short trough bracket Part No. GF9.2.12 with integrated strain relief, ± 5mm vertical adjustment (electrically conductive version: GF9.2.12.CD)



Version 02 - long trough bracket Part No. GF9.2.11 with integrated strain relief, ± 5mm vertical adjustment (electrically conductive version: GF9.2.11.CD)



guidefast - easy attachment to the crane girder using welded bolts or nut/thread, here with version 2 long trough bracket

 Order example for end infeed,
travel ≈ 9.5m / guide trough 10m

Trough profile set **without** glide bar (incl. 5 clip connectors)


GF92.30.07.2000

Order text: 10m = 5 x 2m sections trough profile, without glide bar

Trough brackets (incl. 11 clamping blocks, "long" Version 02)

GF9.2.11

Order text: 11 x trough brackets

 10m = 5 x 2m trough profile, without glide bar + 11 x trough brackets
10m = 5 x GF92.30.07.2000 + 11 x GF9.2.11



Corrosion-resistant:
made completely from
plastic components

Cost-effective:
construction kit
solution with e-chain®

Time saving:
quick and easy
assembly

2 installation set versions:
01) With spacer for a fixed
width or with 02) C-profile for
a larger range of widths



Long travels up to 150m, quick and cost-effective - igus® guidelite

A construction kit system primarily for slow applications with low cycle duty. The lower run of the igus® e-chain® is guided in two L-shaped guide rails made from Glass Fibre Reinforced Plastic (GFRP). The upper run of the e-chain® is partially guided by angle brackets that are installed at distances of one metre. One option to obtain the correct width is to install clip-on spacers (Version 01) between the retainers. This greatly simplifies the installation since no further adjustments are needed. Another option, which facilitates a greater range of widths, is to mount the guide angle brackets on a C-profile (Version 02).

- Time saving through fast assembly
- Very lightweight polymer components - quieter than troughs made from steel
- Cost-effective
- Corrosion-resistant
- Gliding application: max. speed 1m/s
- Unsupported application (guidelite as support tray): max. speed 5m/s (higher speeds can be attained. Please contact us for details)
- Construction kit solution, from stock

Typical industries and applications

- Irrigation and watering systems ● For applications with low duty cycles, low speed and fill weight ● As cost-effective support tray for unsupported applications

Series Part No.	For e-chain® series	Page
9GL.64.50.450.XX	guidelite version 01 - installation set with spacer, standard fixed width due to clip-on spacer, no adjustments needed	1284
	● E2.48 ● 2500 ● 2700 ● 3500 ● E4.21 ● E4.28 ● E4.32	
9GL.64.50.LLL	guidelite version 02 - installation set with C-profile guide angle brackets are assembled on C-profile for a larger range of widths	1286
	● E2.26 ● E2.38 ● 1500 ● 2500 ● 2700 ● 3500 ● E4.21 ● E4.28 ● E4.32	



Available from stock. Ready to ship in 24 - 48hrs.*

*The delivery times indicated correspond to the average time until the ordered goods are dispatched.



E2/000 rol e-chain® in a guidelite guide trough on an irrigation plant

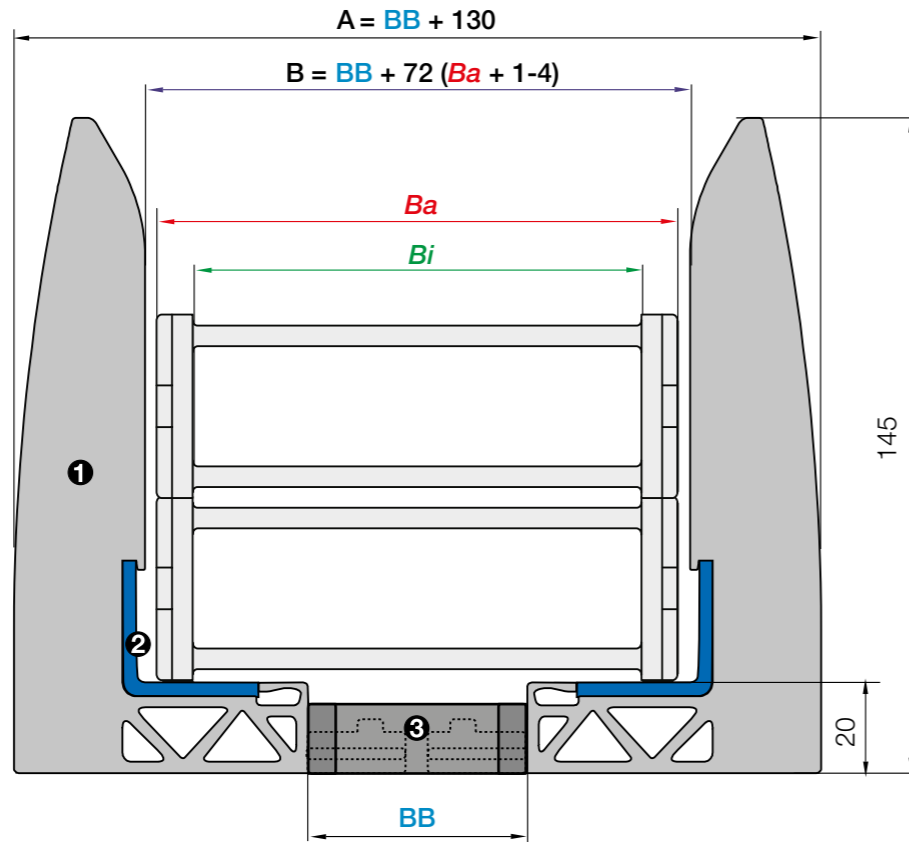
For the following igus® series

E2.1	E2/000	E4.1
● E2.48	● 2500	● E4.21
	● 2700	● E4.28
	● 3500	● E4.32

Components - version 01

- ① Angle brackets
- ② Plastic guide rail
- ③ Crossbar

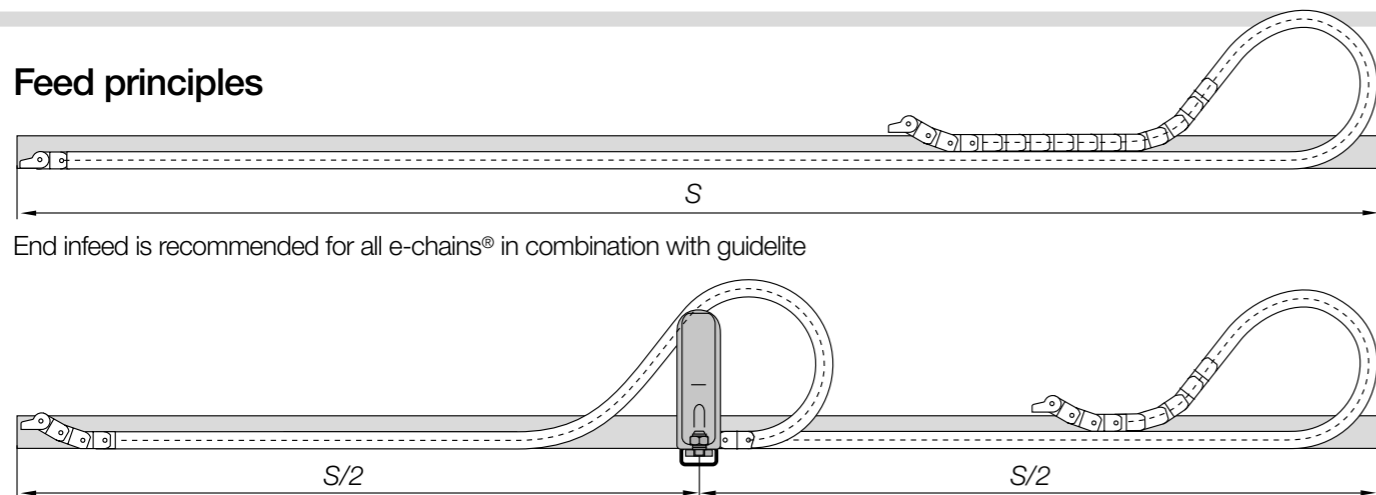
Ba = e-chain® outer width
Bi = e-chain® inner width
BB = Length of spacer
A = outer angle bracket distance
B = inner angle bracket distance
 Dimension **B** must always be 1 to 4mm larger than **Ba** of the e-chain®



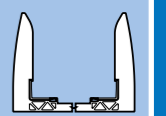
guidelite | Version 01

Specification	Part No.
Installation set with spacer for a fixed width, consisting of 2 x plastic guide rails + 1 x spacer	9GL.64.50.450.XX
Set plastic guide rails (left and right) in specified lengths (standard: 2m)	9GL.64.30.2000
Feed module that guides the upper run of the e-chain® down, 2m	
Only for series 2700R and 3500R rol e-chain® with centre infeed	9GL.64.80.XXXXX.450.XX
Installation set: please add the width index XX as shown on the tables on the right page. Example: 9GL.64.50.150	
Feed module: please add the width index XX as shown on the tables on the right page. Example: 9GL.64.50.450.05	

Feed principles



Centre infeed is only used with rol e-chains® of series 2700R and series 3500R.
 Please use the feed module 9GL.64.80. Series 450.XX, which guides the upper run of the e-chain® down



Installation set with crossbar - for a fixed width

Part No. including width index	For series	For series	For series	Length of spacer BB [mm]	Outer angle bracket distance A [mm]	Inner angle bracket distance B [mm]
Crossbar XX						
9GL.64.50.450.05	-	2500.10.R.0	-	50	180	122
9GL.64.50.450.12	-	2700.17.R.0	2700R.17.R.0	125	255	197
9GL.64.50.450.05	E2.48.100.R.0	3500.100.R.0	3500R.100.R.0	50	180	122
9GL.64.50.450.06	-	3500.115.R.0	3500R.115.R.0	65	195	137
9GL.64.50.450.07	-	3500.125.R.0	3500R.125.R.0	75	205	147
9GL.64.50.450.10	E2.48.150.R.0	3500.150.R.0	3500R.150.R.0	100	230	172
9GL.64.50.450.12	-	3500.175.R.0	3500R.175.R.0	125	255	197
9GL.64.50.450.15	-	3500.200.R.0	3500R.200.R.0	150	280	222
9GL.64.50.450.17	-	3500.225.R.0	3500R.225.R.0	175	305	247
9GL.64.50.450.20	-	3500.250.R.0	3500R.250.R.0	200	330	272
9GL.64.50.450.06	-	E4.21.120.R.0	-	65	195	137
9GL.64.50.450.05	-	E4.28.100.R.0	-	50	180	122
9GL.64.50.450.07	-	E4.28.125.R.0	-	75	205	147
9GL.64.50.450.05	-	E4.32.097.R.0	-	50	180	122
9GL.64.50.450.06	-	E4.32.112.R.0	-	65	195	137

Note: Dimension B (inner angle bracket distance) must always be 1 to 4mm larger than **Ba** of the e-chain®!



Ideal for outdoor applications - UV-resistant, corrosion-free, allows dirt to pass through

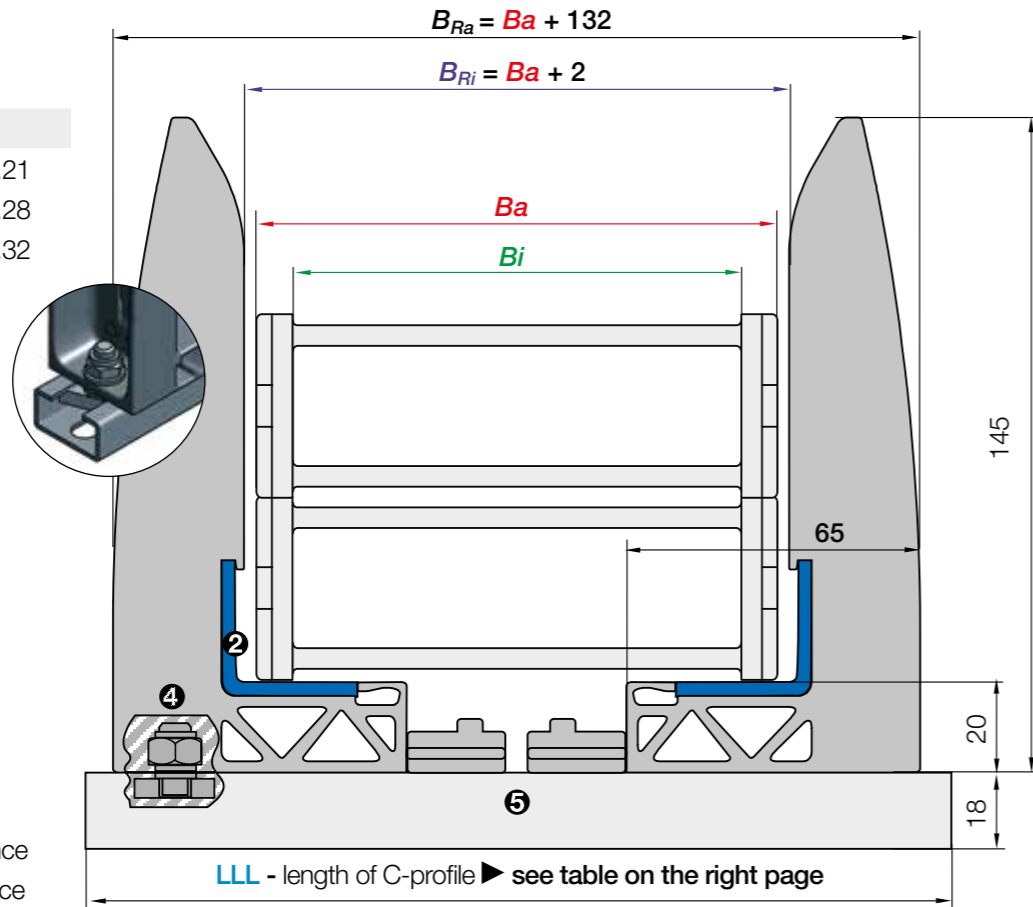
For the following igus® series

- | E2.1 | E2/000 | E4.1 |
|---------|--------|---------|
| ● E2.26 | ● 1500 | ● E4.21 |
| ● E2.38 | ● 2500 | ● E4.28 |
| | ● 2700 | ● E4.32 |
| | ● 3500 | |

Components - version 02

- ① Angle brackets
- ② Plastic guide rail
- ③ Screw set M8
- ④ C-profile

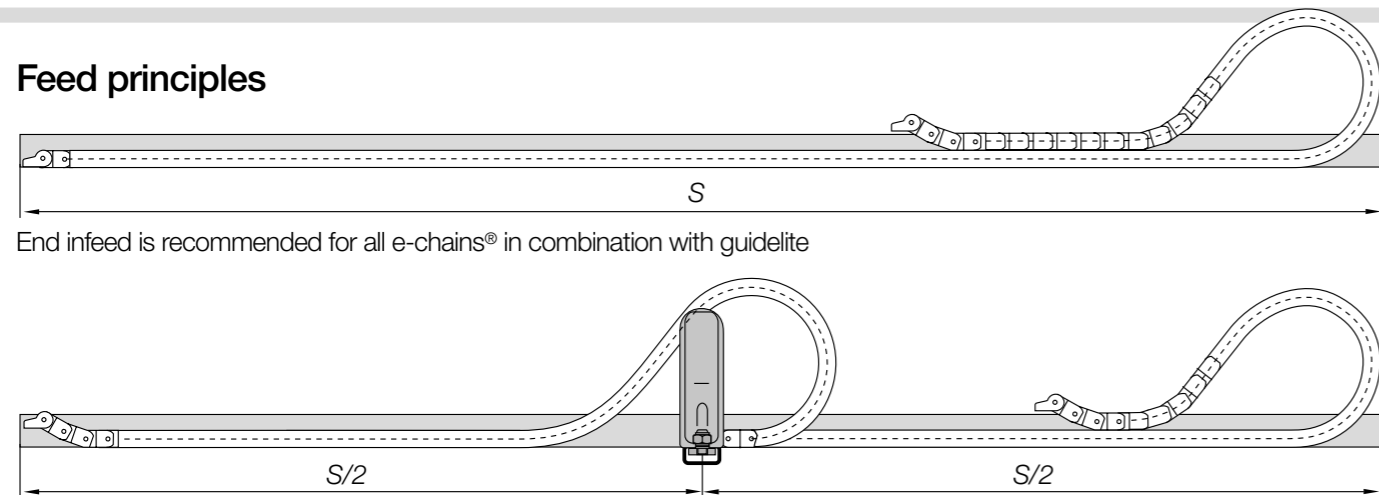
Ba = e-chain® outer width
 Bi = e-chain® inner width
 B_{Ra} = outer angle bracket distance
 B_{Ri} = inner angle bracket distance



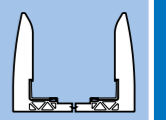
guidelite | Version 02

Specification	Part No.
Installation set with C-profiles consisting of 2 x plastic guide rails + 1 x C-profile + Screw sets M8	9GL.64.50.LLL
Set plastic guide rails (left and right) in specified lengths (standard: 2m)	9GL.64.30.2000
Feed module that guides the upper run of the e-chain® down, 2m	
Only for series 2700R and 3500R rol e-chain® with centre infeed	9GL.64.80.XXXXX.LLL
Installation set: please add the C-profile length LLL as shown on the tables on the right page. Example: 9GL.64.50.150	
Feed module: please add the width index XX as shown on the tables on the right page. Example: 9GL.64.80.3500.05	

Feed principles



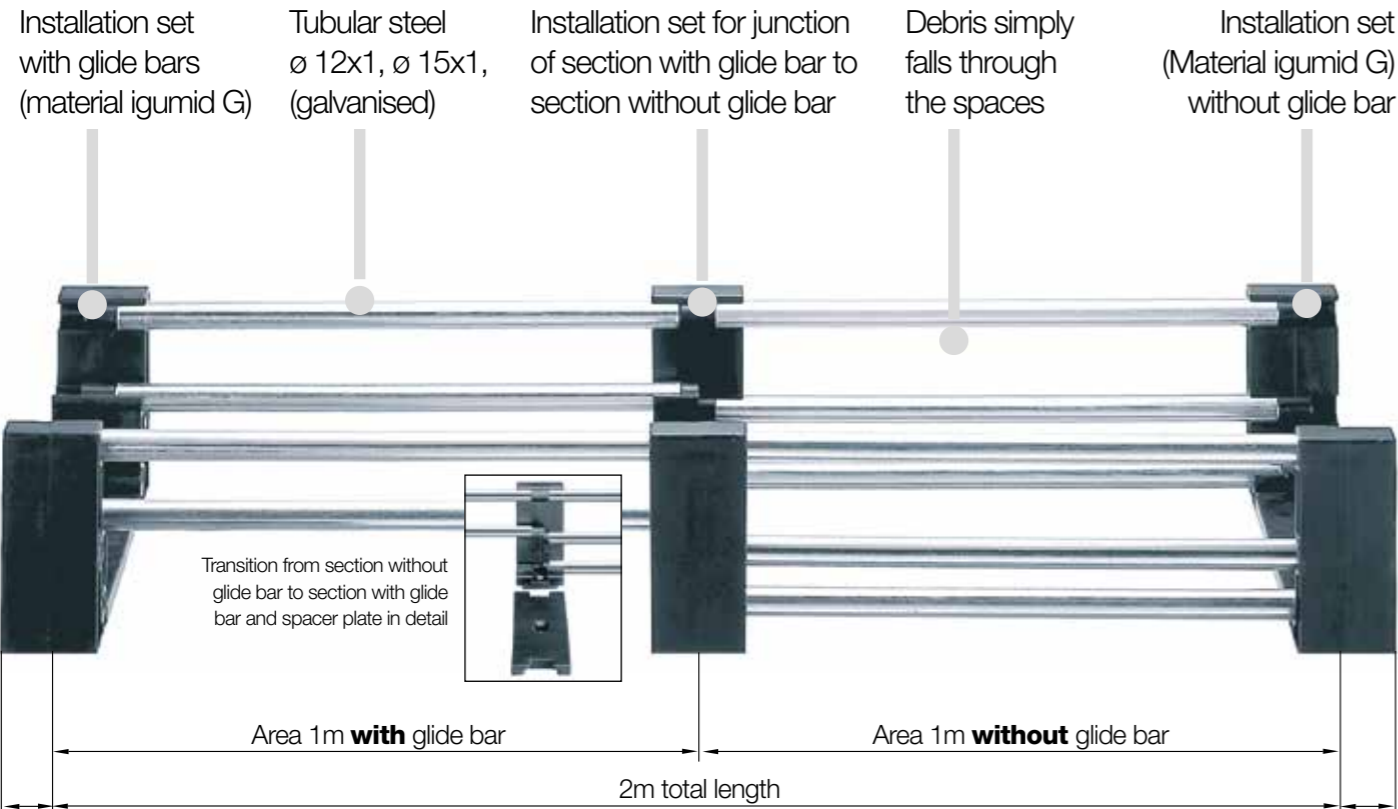
Please use the feed module 9GL.64.80.Series.LLL, which guides the upper run of the e-chain® down.



Part No. installation set with C-profile

Part No. installation set + C-profile length LLL	For E2.1 series	For E2/000 / E4.1 series	For rol E2/000 series	Part No. installation set + C-profile length LLL	For E2.1 series	For E2/000 / E4.1 series	For rol E2/000 series
1500				E4.28			
9GL.64.50.150	-	1500.068.R.0	-	9GL.64.50.150	-	E4.28.062.R.0	-
9GL.64.50.175	-	1500.080.R.0	-	9GL.64.50.175	-	E4.28.070.R.0	-
9GL.64.50.175	-	1500.100.R.0	-	9GL.64.50.175	-	E4.28.075.R.0	-
9GL.64.50.200	-	1500.125.R.0	-	9GL.64.50.175	-	E4.28.087.R.0	-
E2.26 / 2500				9GL.64.50.200 - E4.28.100.R.0 -			
9GL.64.50.150	E2.26.057.R.0	2500.05.R.0	-	9GL.64.50.225	-	E4.28.125.R.0	-
9GL.64.50.175	E2.26.077.R.0	2500.07.R.0	-	9GL.64.50.250	-	E4.28.150.R.0	-
9GL.64.50.175	-	2500.09.R.0	-	9GL.64.50.275	-	E4.28.175.R.0	-
9GL.64.50.200	-	2500.10.R.0	-	9GL.64.50.300	-	E4.28.200.R.0	-
9GL.64.50.225	-	2500.12.R.0	-	9GL.64.50.325	-	E4.28.225.R.0	-
E2.38 / 2700				9GL.64.50.350 - E4.28.250.R.0 -			
9GL.64.50.150	E2.38.065.R.0	2700.06.R.0	2700R.06.R.0	9GL.64.50.375	-	E4.28.275.R.0	-
9GL.64.50.175	E2.38.075.R.0	2700.07.R.0	2700R.07.R.0	9GL.64.50.400	-	E4.28.300.R.0	-
9GL.64.50.175	-	2700.09.R.0	2700R.09.R.0	E4.32			
9GL.64.50.200	E2.38.100.R.0	2700.10.R.0	2700R.10.R.0	9GL.64.50.150	-	E4.32.05.R.0	-
9GL.64.50.225	-	2700.12.R.0	2700R.12.R.0	9GL.64.50.175	-	E4.32.06.R.0	-
9GL.64.50.250	-	2700.15.R.0	2700R.15.R.0	9GL.64.50.175	-	E4.32.07.R.0	-
9GL.64.50.275	-	2700.17.R.0	2700R.17.R.0	9GL.64.50.175	-	E4.32.087.R.0	-
3500				9GL.64.50.200 - E4.32.09.R.0 -			
9GL.64.50.175	-	3500.075.R.0	3500R.075.R.0	9GL.64.50.200	-	E4.32.10.R.0	-
9GL.64.50.200	-	3500.100.R.0	3500R.100.R.0	9GL.64.50.200	-	E4.32.11.R.0	-
9GL.64.50.200	-	3500.115.R.0	3500R.115.R.0	9GL.64.50.200	-	E4.32.112.R.0	-
9GL.64.50.225	-	3500.125.R.0	3500R.125.R.0	9GL.64.50.225	-	E4.32.12.R.0	-
9GL.64.50.250	-	3500.150.R.0	3500R.150.R.0	9GL.64.50.225	-	E4.32.137.R.0	-
9GL.64.50.275	-	3500.175.R.0	3500R.175.R.0	9GL.64.50.250	-	E4.32.15.R.0	-
9GL.64.50.300	-	3500.200.R.0	3500R.200.R.0	9GL.64.50.275	-	E4.32.162.R.0	-
9GL.64.50.325	-	3500.225.R.0	3500R.225.R.0	9GL.64.50.275	-	E4.32.17.R.0	-
9GL.64.50.350	-	3500.250.R.0	3500R.250.R.0	9GL.64.50.275	-	E4.32.18.R.0	-
E4.21				9GL.64.50.275 - E4.32.187.R.0 -			
9GL.64.50.150	-	E4.21.060.R.0	-	9GL.64.50.300	-	E4.32.200.R.0	-
9GL.64.50.150	-	E4.21.070.R.0	-	9GL.64.50.300	-	E4.32.212.R.0	-
9GL.64.50.175	-	E4.21.080.R.0	-	9GL.64.50.325	-	E4.32.23.R.0	-
9GL.64.50.175	-	E4.21.090.R.0	-	9GL.64.50.325	-	E4.32.237.R.0	-
9GL.64.50.175	-	E4.21.100.R.0	-	9GL.64.50.350	-	E4.32.25.R.0	-
9GL.64.50.200	-	E4.21.110.R.0	-	9GL.64.50.350	-	E4.32.262.R.0	-
9GL.64.50.200	-	E4.21.120.R.0	-	9GL.64.50.375	-	E4.32.28.R.0	-
				9GL.64.50.375	-	E4.32.29.R.0	-
				9GL.64.50.400	-	E4.32.30.R.0	-

Please note: The smallest possible inner width of the guide trough is 72mm.



Lets light and dirt through - tubular trough system RS

igus® tubular troughs are simple and open options to safely guide e-chains®. Recommended for less demanding applications and applications with travel speeds less than 2m/s, as well as travel distances less than 50m.

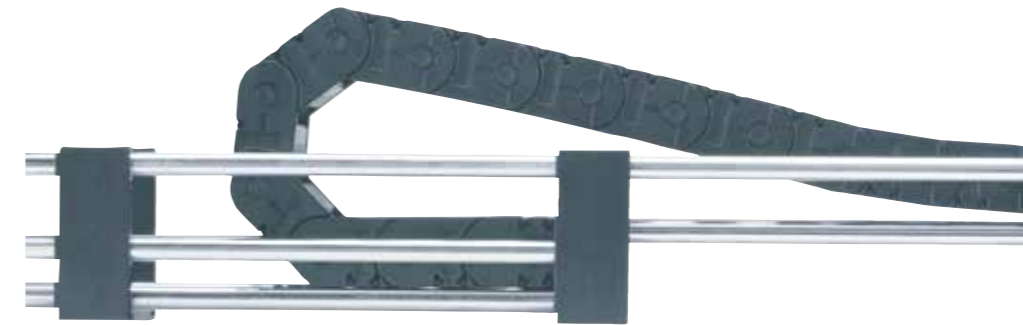
- For application areas where dirt, chips occur - the waste simply fall through the spaces
- Elegant design and easy assembly
- For applications with low mechanical loads
- No complicated setting of the correct width - the fitting spacers are delivered with the complete order
- The tubes are available in galvanised steel or polymer
- Very easy assembly - the elements are pushed together and clipped in

Typical industries and applications

- For application areas with dirt or chips



Part No. without glide bars	Part No. with glide bars	For e-chain® series	H _{Ra} [mm]	Page
92.70.	92.71.	E2.26 ● 2500 ● 255	90	1290
93.70.	93.71.	E2.48 ● 3500	146	1291
95.70.	95.71.	E2.38 ● 2700	126.3	1292



Tubular trough system RS
lets light and dirt through



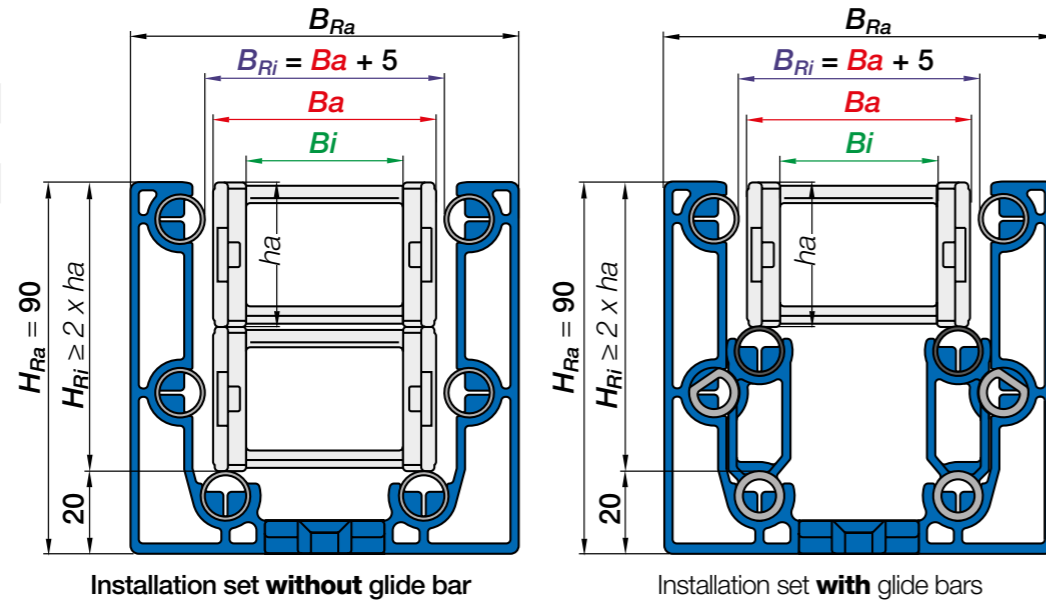
Available from stock. Ready to ship in 24 - 48hrs.*

*The delivery times indicated correspond to the average time until the ordered goods are dispatched.

For the following igus® series

- E2.1**
● E2.26
E2/000
● 2500
● 255

For 1m trough without glide bars
6 tubes 1m long are required.
For 1m trough with glide bars 4
tubes 1m long are required.



Installation dimensions

XXX	Bi	Ba	B _{Ra}	B _{Ri}
02*	25	41	81	45
03	38	54	94	58
05	57	73	113	77
07	77	93	133	97
09	89	105	145	109
10	103	119	159	123
12	125	141	181	145

*Spacer plate upon request
XXX = Width index

Tubular trough | Components

Individual parts	Part No.	Weight
Installation set without glide bars	92.70.XXX	≈ 0.15kg
Installation set with glide bars	92.71.XXX	≈ 0.12kg
Installation set junction	92.74.XXX	
Fastening set	92.77.2	
Tubular steel, diameter ø 12 x 1 galvanised	92.80	≈ 0.28kg
(L = 985) for clearance Installation set 1m)		

Please add the width index XXX. Example: 92.71.05

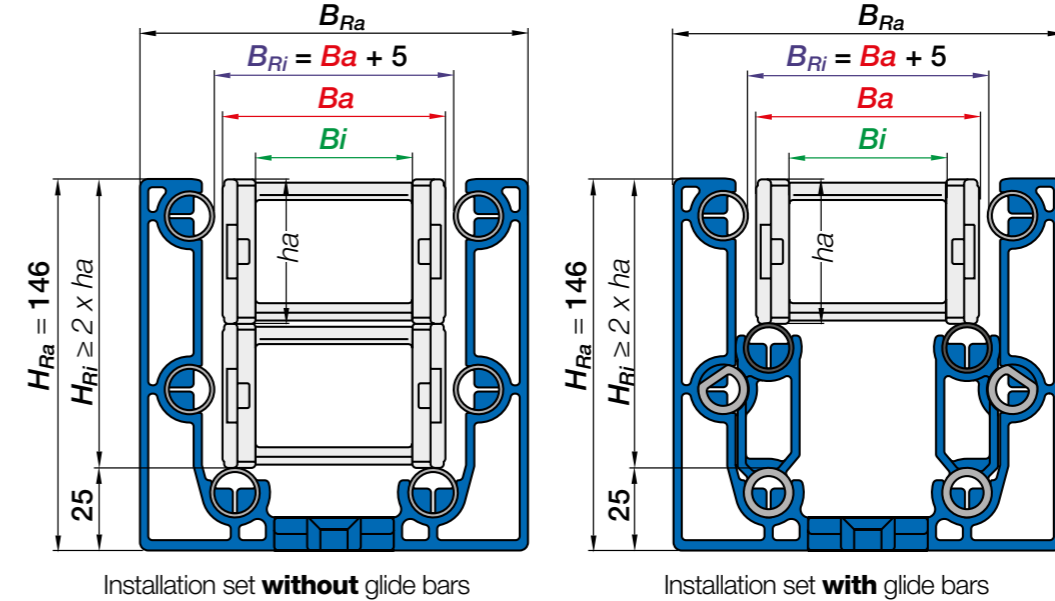
Order example: e-chain® inner width 57mm.
For 8m trough the following parts are required:

Area with glide bar:	4 x installation set + tube: 4 x 4 piece	92.71.050 92.80
Area without glide bar	4 x installation set + Tube: 4 x 6 piece	92.70.050 92.80
Transition from area without glide bar to area with glide bar	1 x installation set junction	92.74.05

For the following igus® series

- E2.1**
● E2.48
E2/000
● 3500

For 1m trough without glide bars
6 tubes 1m long are required.
For 1m trough with glide bars 4
tubes 1m long are required.



Tubular trough | Components

Individual parts	Part No.	Weight
Installation set without glide bars	93.70.XXX	≈ 0.25kg
Installation set with glide bars	93.71.XXX	≈ 0.20kg
Installation set junction	93.74.XXX	
Fastening set	92.77.2	
Tubular steel, diameter ø 15 x 1 galvanised	93.80	≈ 0.50kg
(L = 985) for clearance Installation set 1m)		

Please add the width index XXX. Example: 93.71.050

Order example: e-chain® inner width 50mm.
For 8m trough the following parts are required:

Area with glide bar:	4 x installation set + tube: 4 x 4 piece	93.71.050 93.80
Area without glide bar	4 x installation set + Tube: 4 x 6 piece	93.70.050 93.80
Transition from area without glide bar to area with glide bar	1 x installation set junction	93.74.050

Installation dimensions

XXX	Bi	Ba	B _{Ra}	B _{Ri}
050	50	70	130	75
075	75	95	155	100
100	100	120	180	125
115	115	135	195	140
125	125	145	205	150
150	150	170	230	175
175	175	195	255	200
200	200	220	280	225
225	225	245	305	250
250	250	270	330	275

XXX = Width index

For the following igus® series

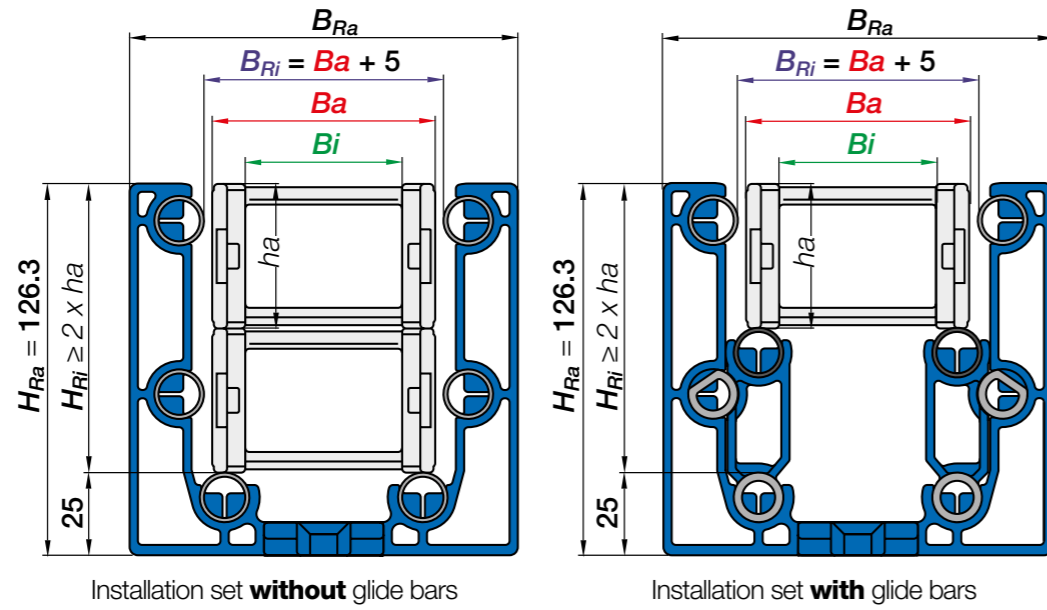
E2.1

● E2.38

E2/000

● 2700

For 1m trough without glide bars
6 tubes 1m long are required.
For 1m trough with glide bars 4
tubes 1m long are required.



Installation dimensions

XXX	Bi	Ba	B _{Ra}	B _{Ri}
05	50	66	124	71
06*	65	81	139	86
07	75	91	149	96
09*	90	106	164	111
10	100	116	174	121
12	125	141	199	146
15	150	166	224	171
17	175	194	252	199
20	200	219	277	224

*Spacer plate upon request

XXX = Width index

Tubular trough | Components

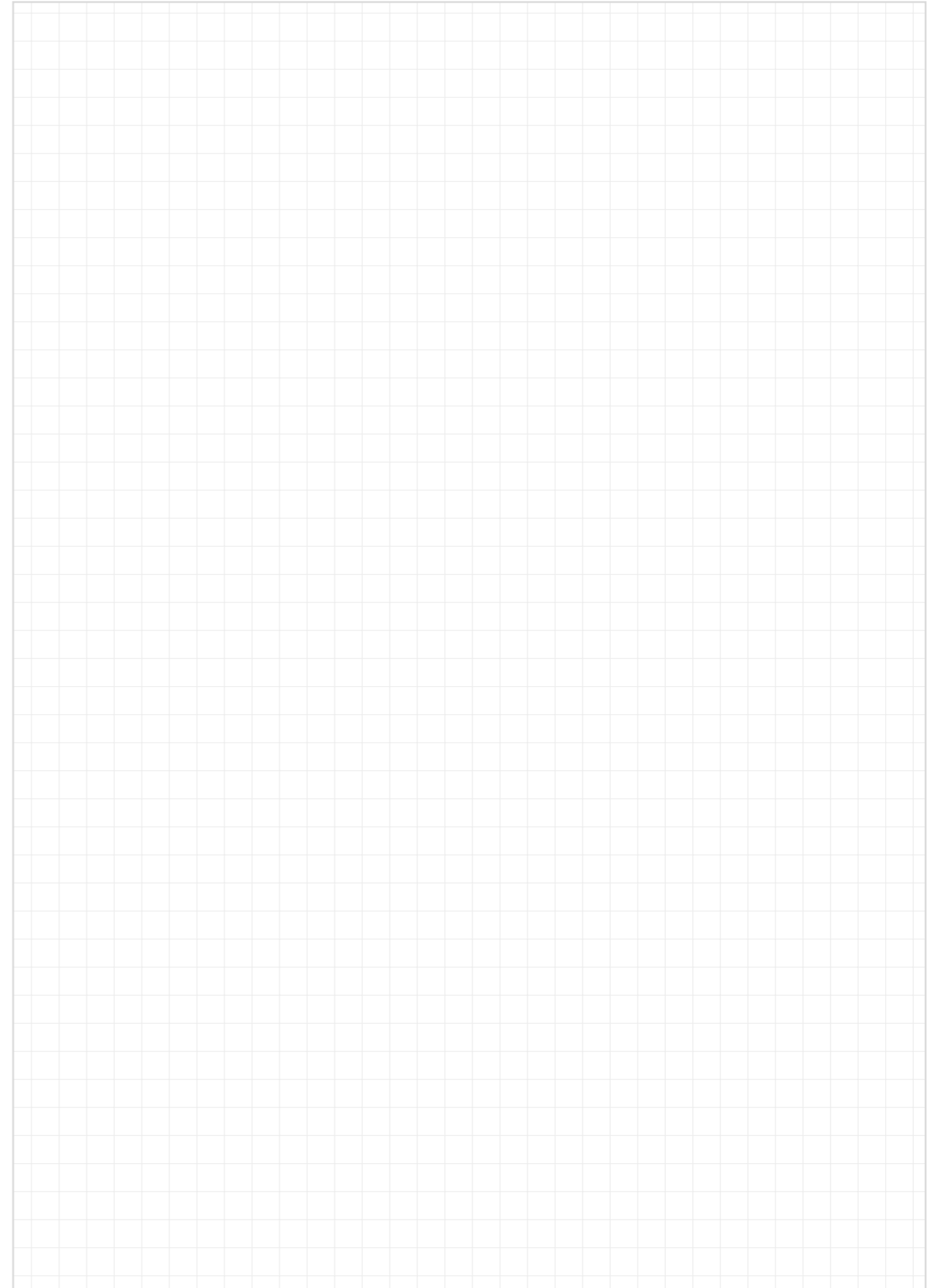
Individual parts	Part No.	Weight
Installation set without glide bars	95.70.XXX	≈ 0.21kg
Installation set with glide bars	95.71.XXX	≈ 0.17kg
Installation set junction	95.74.XXX	
Fastening set	92.77.2	
Tubular steel, diameter ø 15 x 1 galvanised (L = 985) for clearance Installation set 1m)	93.80	≈ 0.50kg

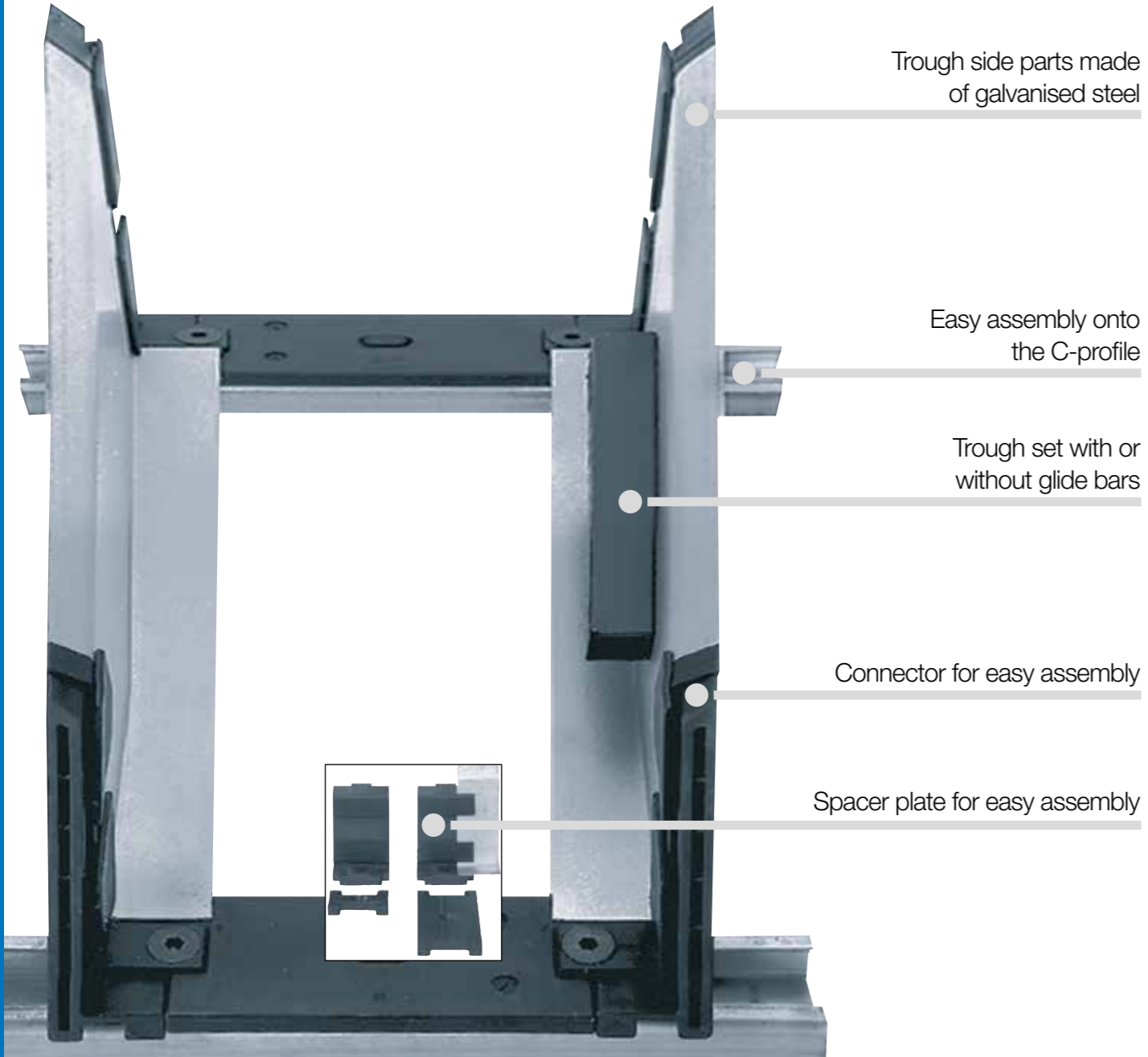
Please add the width index XXX. Example: 95.71.05



Order example: e-chain® inner width 50mm.
For 8m trough the following parts are required:

Area with glide bar:	4 x installation set +	95.71.050
	tube: 4 x 4 piece	93.80
Area without glide bar	4 x installation set +	95.70.050
	Tube: 4 x 6 piece	93.80
Transition from area without glide bar to area with glide bar	1 x installation set junction	95.74.05






Simple and cost-effective - snap-in trough system SP

The igus® snap-in trough system SP is a very simple and cost-effective trough-system made from galvanised steel to guide e-chains® up to 50m lengths at low speeds.

- Smaller than conventional troughs
- Quick and easy assembly
- Fixed inner width with spacer
- No complex width setting required
- No sharp metal edges internally
- Cost-effective with easy assembly

Typical industries and applications

- For simple applications with less installation space

Part No. without glide bars	Part No. with glide bars	For e-chain® series	H _{Ra} [mm]	Page
 <p>Snap-in trough system SP simple and cost-effective</p>				
91.930	91.931	10 ● B15/B15i ● 15/R15	55.5	1296
92.930	92.931	E2.26 ● 2500 ● 255	76.6	1297
93.930	93.931	E2.48 ● 3500	138.6	1298
95.930	95.931	E2.38 ● 2700	106.6	1299



Available from stock. Ready to ship in 24 - 48hrs.*

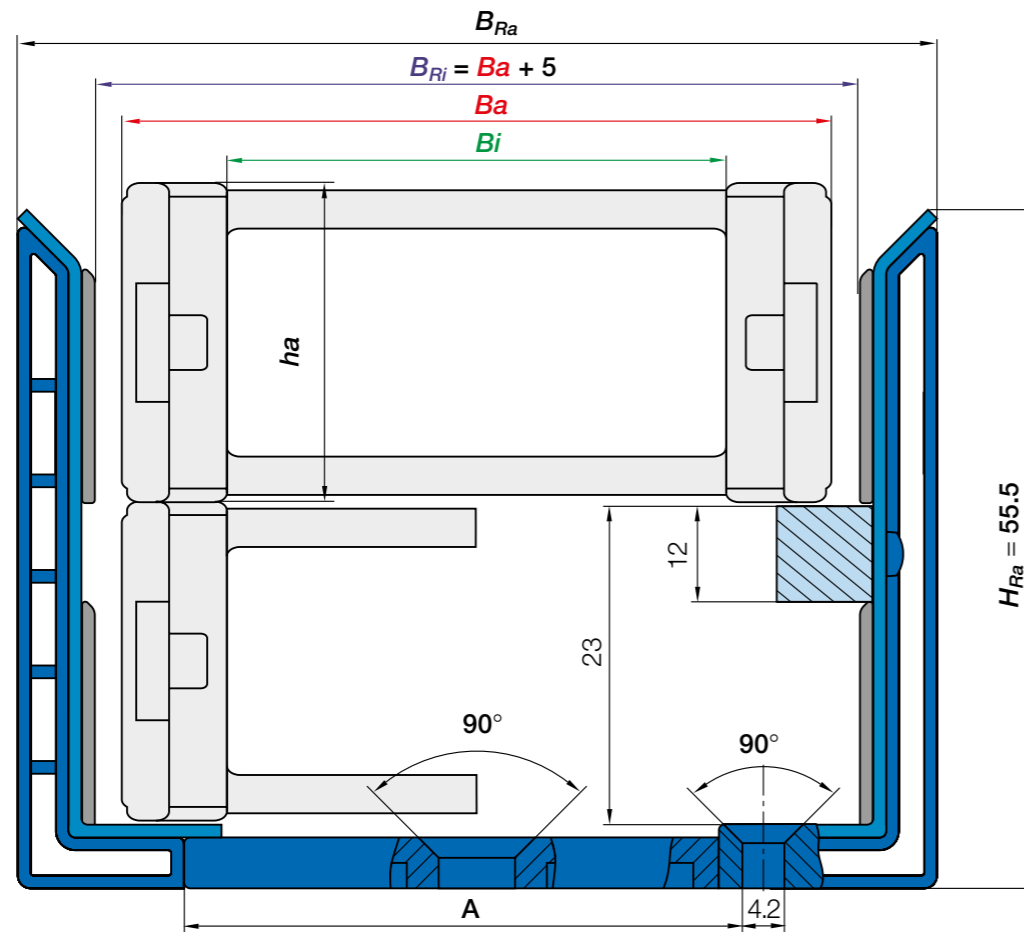
*The delivery times indicated correspond to the average time until the ordered goods are dispatched.



For the following igus® series

E2 mini

- 10
- B15/B15i
- zipper**
- 15/R15



Installation dimensions

XXX	A	B _{Ra}	B _{Ri}
015	21	46	29.6
025	31	56	39.6
038	43	68	51.6
050	55	80	63.6
05	71	96	79.6
06	88	113	96.6
07	108	133	116.6

XXX = Width index

Snap-in trough | Components

Individual parts	Part No.	Weight
Trough set without glide bars, 2 sections of 1m	91.930	≈ 1.50kg
Trough set with glide bars, 2 sections of 1m	91.931	≈ 1.90kg
Glide bar set, 2 glide bars, 1m section	91.920	
Screw set for glide bar	91.921	
Installation set with spacer plate	91.950.XXX	≈ 0.05kg
Installation set without spacer plate	91.950	≈ 0.03kg

Please add the width index XXX. Example: 91.950.050



Order example: series15 for e-chain® inner width 50mm.
For 20m trough the following parts are required:

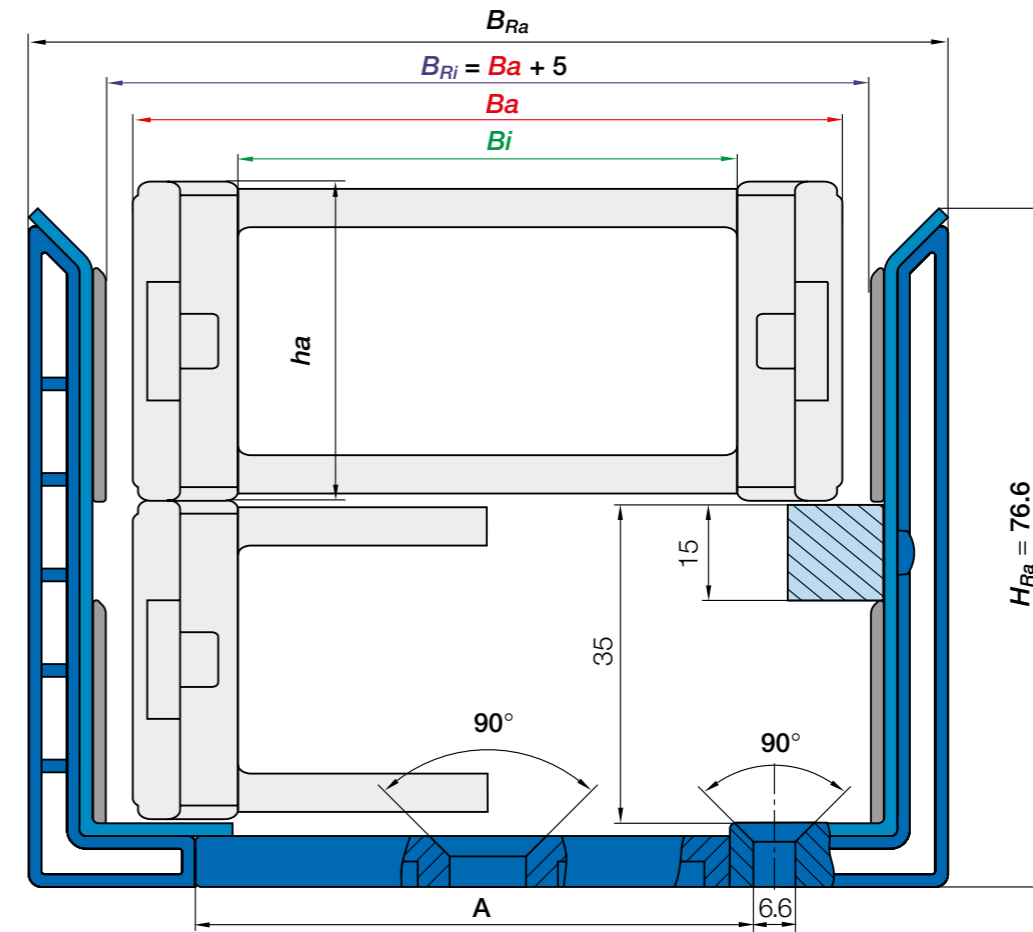
10 x 1m, trough sections without glide bars (10 x 1m)	91.930
10 x 1m, trough sections with glide bars (10 x 1m)	91.931
Installation set with spacer plate (21x)	91.950.050



For the following igus® series

E2.1

- E2.26
- E2/000**
- 2500



Snap-in trough | Components

Individual parts	Part No.	Weight
Trough set without glide bars, 2 sections of 2m	92.930	≈ 5.50kg
Trough set with glide bars, 2 sections of 2m	92.931	≈ 6.50kg
Glide bar set, 2 glide bars, 1m section	92.920	
Screw set for glide bar	92.921	
Installation set with spacer plate	92.950.XXX	≈ 0.10kg
Installation set without spacer plate	92.950	≈ 0.08kg

Please add the width index XXX. Example: 92.950.05

Installation dimensions

XXX	A	B _{Ra}	B _{Ri}
02*	14	67	43
03	27	80	56
05	46	99	75
07	66	119	95
09	78	131	107
10	92	145	121
12	114	167	143

*Spacer plate upon request

XXX = Width index



Order example: series 2500 for e-chain® inner width 50mm.
For 20m trough the following parts are required:

10 x 1m, trough sections without glide bars (5 x 2m)	92.930
10 x 1m, trough sections with glide bars (5 x 2m)	92.931
Installation set with spacer plate (21x)	92.950.05



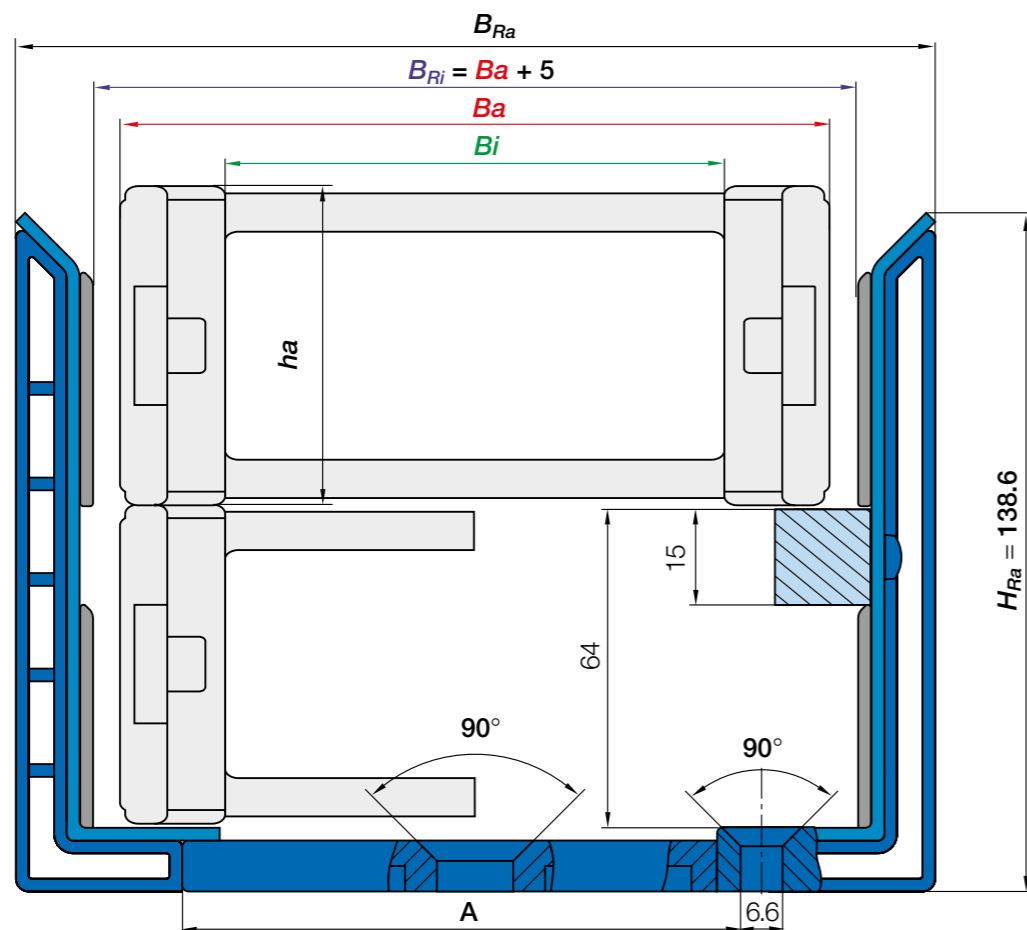
For the following igus® series

E2.1

● E2.48

E2/000

● 3500



Installation dimensions

XXX	A	B _{Ra}	B _{Ri}
050	40	102	74
075	65	127	99
100	90	152	124
115	105	167	139
125	115	177	149
150	140	202	174
175	165	227	199
200	190	252	224
225	215	277	249
250	240	302	274

XXX = Width index

Snap-in trough | Components

Individual parts	Part No.	Weight
Trough set without glide bars, 2 sections of 2m	93.930	≈ 9.00kg
Trough set with glide bars, 2 sections of 2m	93.931	≈ 10.00kg
Glide bar set, 2 glide bars, 1m section	93.920	
Screw set for glide bar	93.921	
Installation set with spacer plate	93.950.XXX	≈ 0.20kg
Installation set without spacer plate	93.950	≈ 0.16kg

Please add the width index XXX. Example: 93.950.050



Order example: series 3500 for e-chain® inner width 50mm.
For 20m trough the following parts are required:

10 x 1m, trough sections without glide bars (5 x 2m)	93.930
10 x 1m, trough sections with glide bars (5 x 2m)	93.931
Installation set with spacer plate (21x)	93.950.050



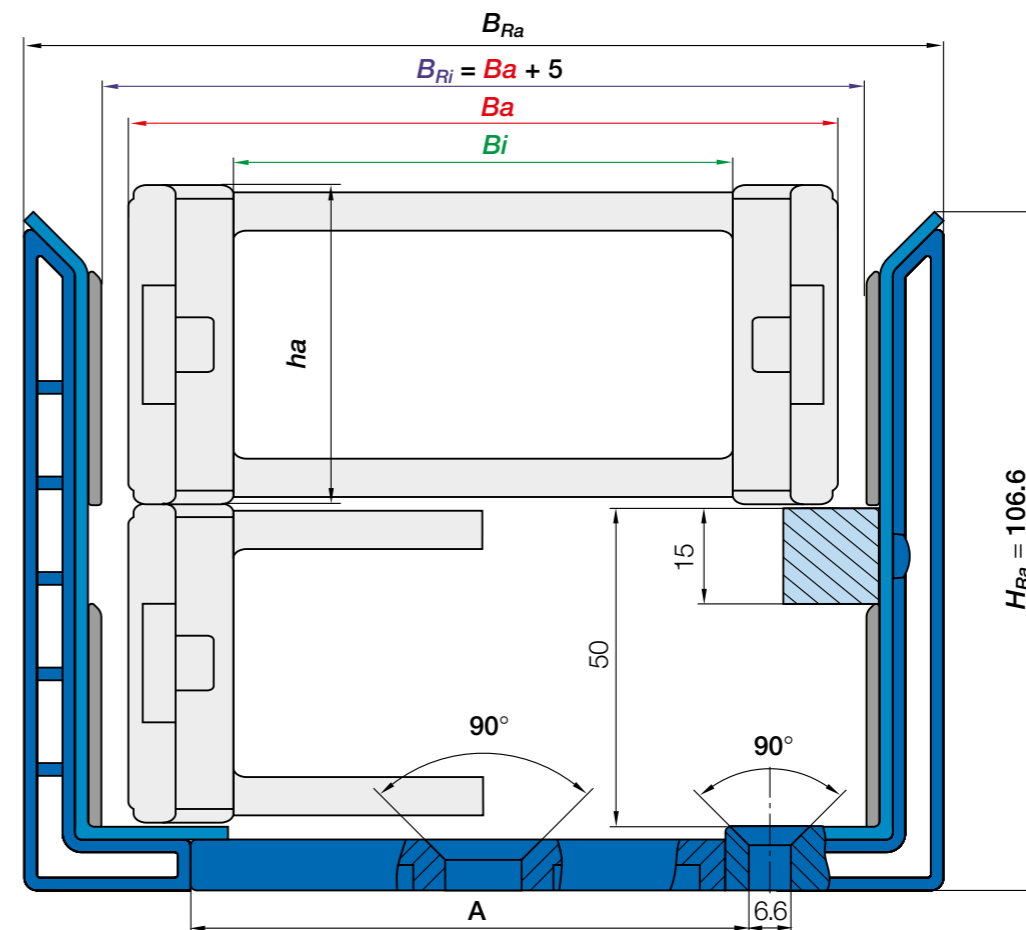
For the following igus® series

E2.1

● E2.38

E2/000

● 2700



Snap-in trough | Components

Individual parts	Part No.	Weight
Trough set without glide bars, 2 sections of 2m	95.930	≈ 7.10kg
Trough set with glide bars, 2 sections of 2m	95.931	≈ 8.10kg
Glide bar set, 2 glide bars, 1m section	95.920	
Screw set for glide bar	95.921	
Installation set with spacer plate	95.950.XXX	≈ 0.11kg
Installation set without spacer plate	95.950	≈ 0.13kg

Please add the width index XXX. Example: 95.950.05

Installation dimensions

XXX	A	B _{Ra}	B _{Ri}
05	40	94	70
06*	55	109	85
07	65	119	95
09*	80	134	110
10	90	144	120
12	115	169	145
15	140	194	170
17	165	229	195
20	190	244	220

*Spacer plate upon request

XXX = Width index



Order example: series15 for e-chain® inner width 50mm.
For 20m trough the following parts are required:

10 x 1m, trough sections without glide bars (5 x 2m)	95.930
10 x 1m, trough sections with glide bars (5 x 2m)	95.931
Installation set with spacer plate (21x)	95.950.05