

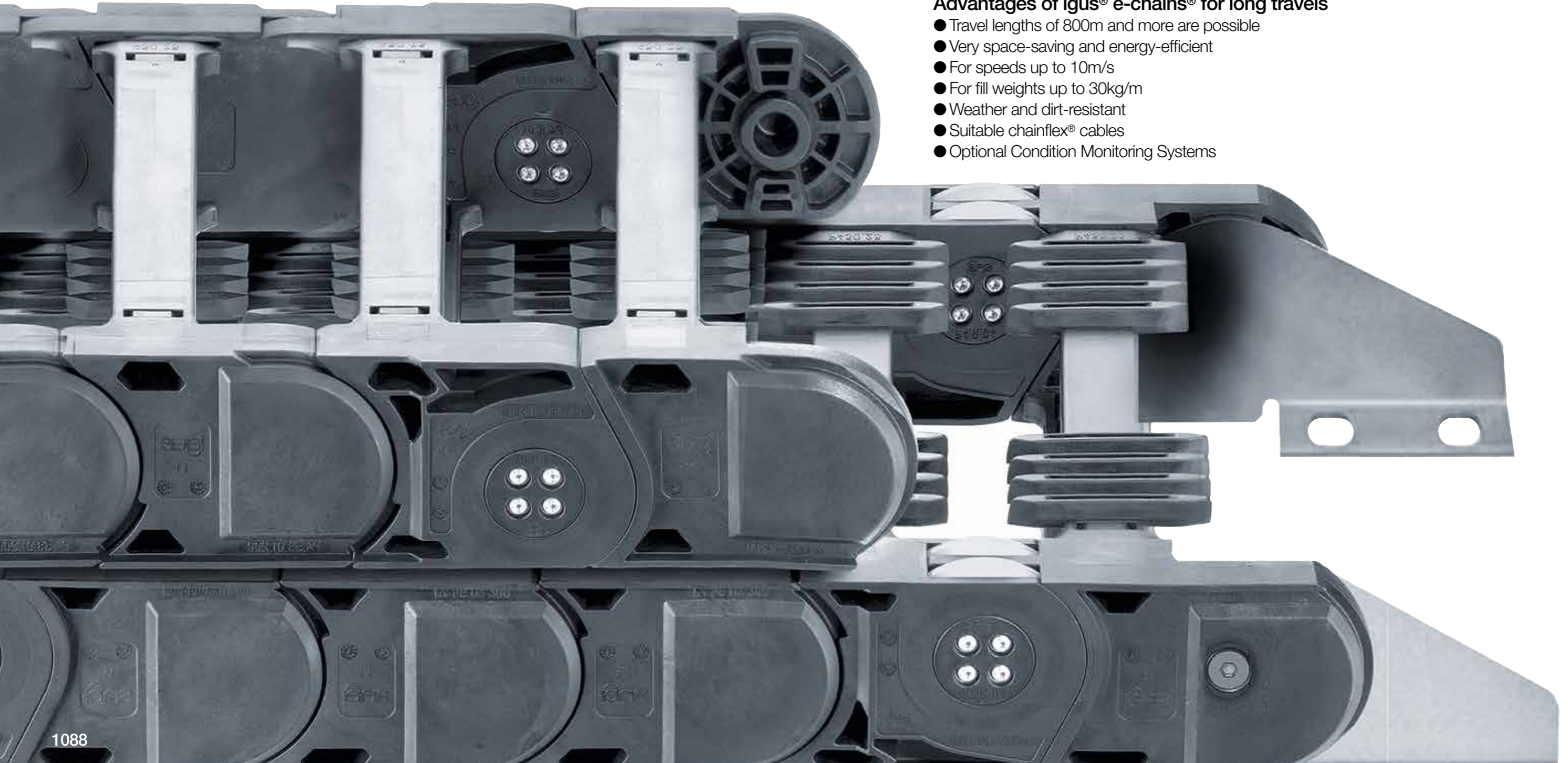
e-chains[®] for long travels

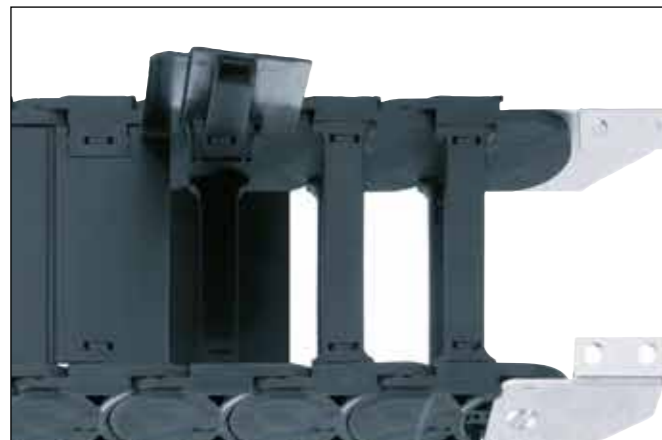
E4/4HD | System P4 |
rol e-chains[®] | autoglide



Advantages of igus[®] e-chains[®] for long travels

- Travel lengths of 800m and more are possible
- Very space-saving and energy-efficient
- For speeds up to 10m/s
- For fill weights up to 30kg/m
- Weather and dirt-resistant
- Suitable chainflex[®] cables
- Optional Condition Monitoring Systems





Very high fill weights for long travels - E4/4HD "Heavy-Duty"

- For very heavy fill weights and long travels
 - Strong, even when used in very dirty or humid environments
 - High torsional rigidity
 - Long service life
 - Recommended for heavy-duty applications
- From page 1092



Reduce energy consumption by 57% - P4 profile-rol e-chain®

- Safe, low-noise, abrasion-resistant energy supply system for long travels
 - Long travels up to 800m and more, high fill weights up to 30kg/m
 - For very long travels and high travel speeds up to 10m/s
 - autoglide crossbars for safe guidance
- From page 1112



Rolling instead of gliding, long travels up to 800m - E4/4 rol e-chain®

- 75% reduction of drive power needed to move the e-chain®
 - Long travels up to 800m with E4/4 rol e-chain®
 - Speeds up to 6m/s possible
 - Can be used in dirty environments
- From page 1142



Long travels up to 150m, energy-efficient and cost-effective - E2/000 rol e-chain®

- Required drive power is reduced up to 75% while increasing the service life of the e-chain®
 - Max. rolling speed up to 4m/s
 - Available as cost-effective ready-to-fit harnessed system
 - Many accessories available
- From page 1160



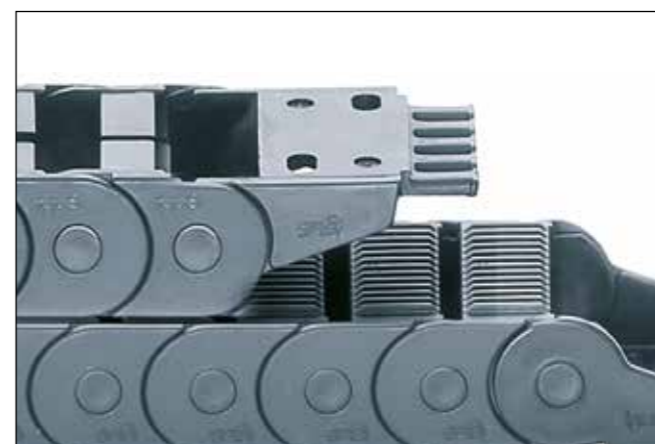
Self-guiding e-chains® for system E4.1 - autoglide version 01

- For the larger E4.1 e-chains®
 - Simple guide elements for quick installation
 - The autoglide crossbars safely guide the e-chain® replacing the need for a guide trough
 - For travels over 10m
 - Floor guides can be driven over
- From page 1174



Self-guiding e-chains® for system E2/000 - autoglide version 02

- Travel distance up to 70m and speed up to 2.0m/s
 - Very compact, removes troughs forming an obstacle in the working area
 - Quick installation for long travels
 - Openable along the inner radius
 - Clip-on glide wings, secure movement of the e-chain®
- From page 1182



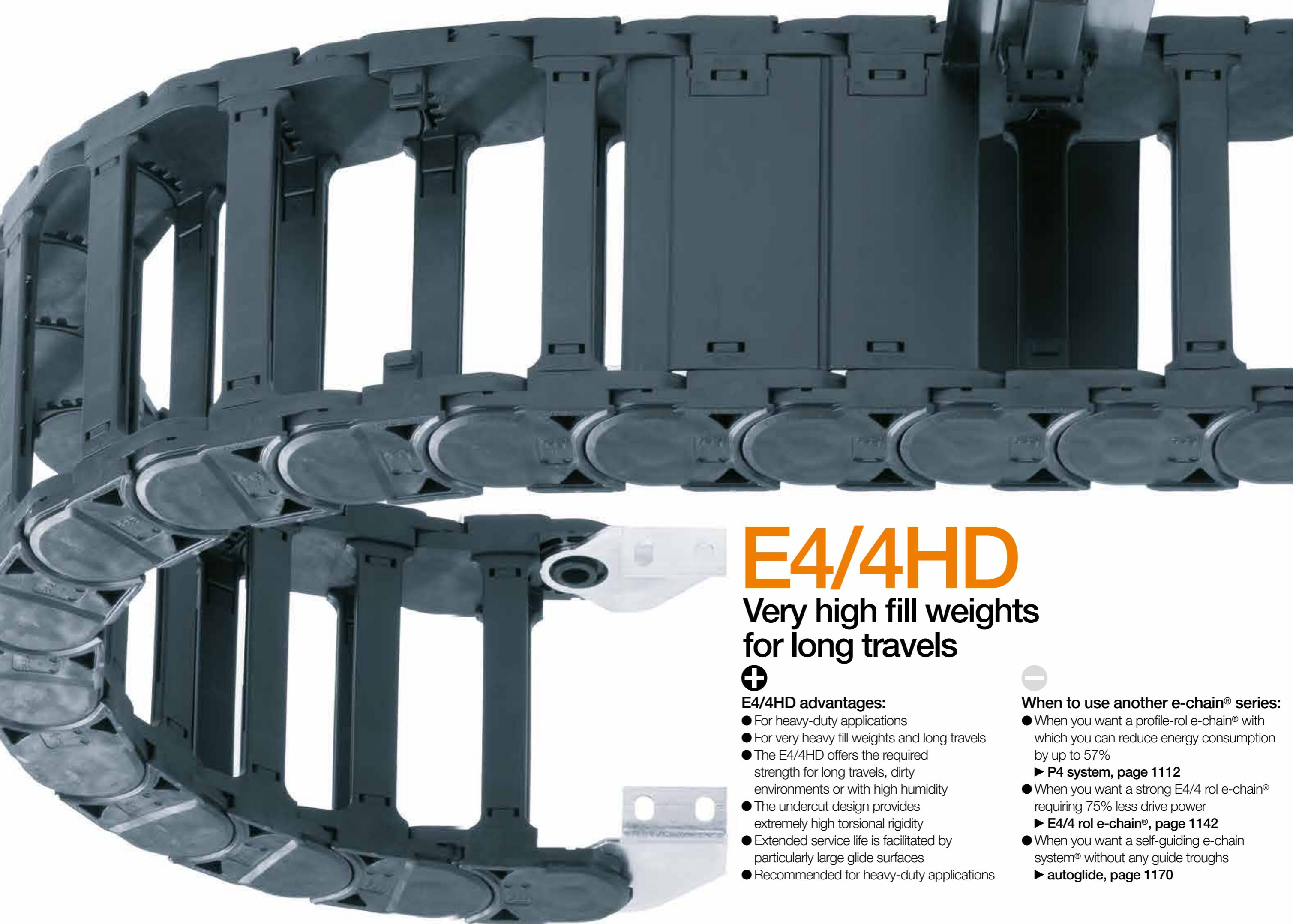
easy chain® openable along the outer radius, fitted with moulded autoglide grooves along the inner radius - autoglide Version 03

- Doubly cost-effective due to elimination of guide troughs and economical, one-piece e-chain®
 - Very quick assembly time - "easy" design
 - Small width, quiet operation
 - UL94-V2 classification
- From page 1190



Special glide shoes provide a safe guiding for the E2/000 - autoglide version 04

- Reliable and precise guidance due to special plastic glide shoes
 - Long travels with easier filling
 - Provides precise lateral guidance and a smooth gliding of the e-chain®
 - e-chains® openable along the outer radius
- From page 1194



E4/4HD

Very high fill weights
for long travels



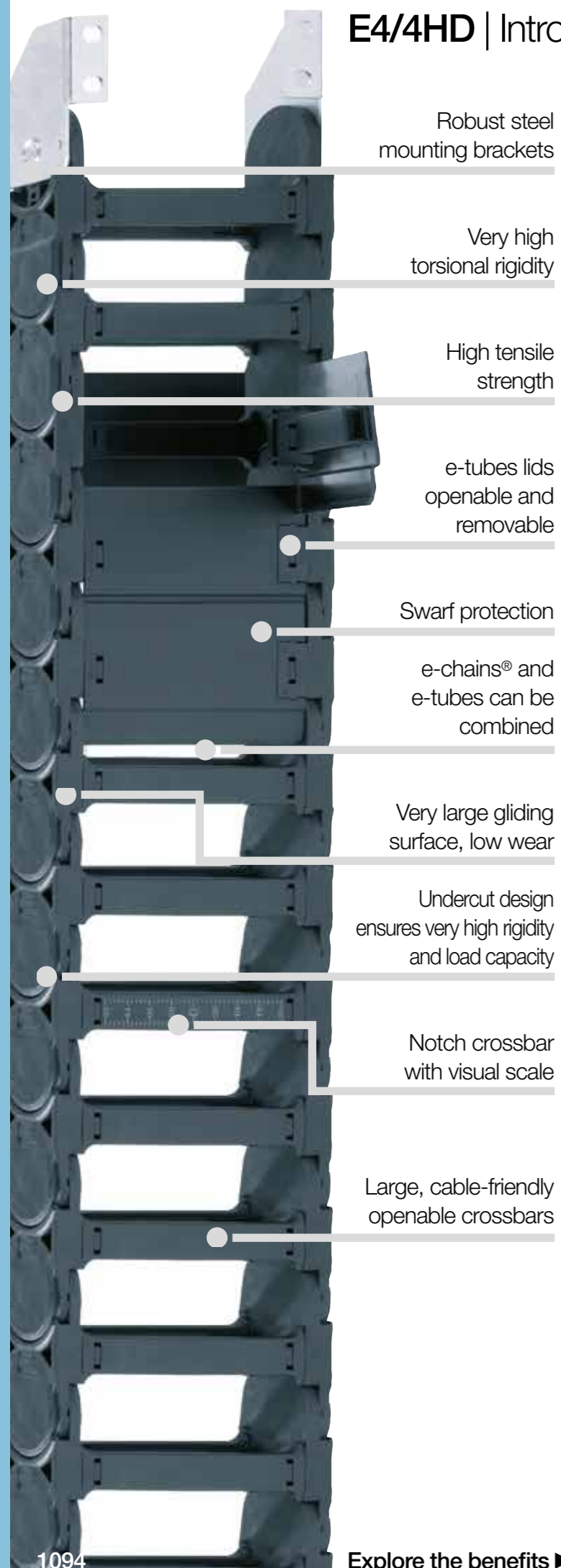
E4/4HD advantages:

- For heavy-duty applications
- For very heavy fill weights and long travels
- The E4/4HD offers the required strength for long travels, dirty environments or with high humidity
- The undercut design provides extremely high torsional rigidity
- Extended service life is facilitated by particularly large glide surfaces
- Recommended for heavy-duty applications



When to use another e-chain® series:

- When you want a profile-rol e-chain® with which you can reduce energy consumption by up to 57%
▶ **P4 system, page 1112**
- When you want a strong E4/4 rol e-chain® requiring 75% less drive power
▶ **E4/4 rol e-chain®, page 1142**
- When you want a self-guiding e-chain system® without any guide troughs
▶ **autoglide, page 1170**



Robust steel mounting brackets

Very high torsional rigidity

High tensile strength

e-tubes lids openable and removable

Swarf protection

e-chains® and e-tubes can be combined

Very large gliding surface, low wear

Undercut design ensures very high rigidity and load capacity

Notch crossbar with visual scale

Large, cable-friendly openable crossbars

Very high fill weights for long travels - E4/4HD

The E4/4HD system was designed for the most demanding tasks. The E4/4HD provides the required strength for long travels, with high fill weights, dirty environments or with high humidity.

- Sturdy side links for very high fill weights and long travels
- The undercut design provides extremely high torsional rigidity
- Extended service life is facilitated by particularly large glide surfaces
- Recommended for heavy-duty applications

Typical industries and applications

- RTGs, quayside cranes, and many other types of crane
- Heavy machinery
- Steelworks
- Shipyards
- Composting plants
- Construction machines
- Plaster, concrete, chemical and mineral factories
- Farms
- General mechanical engineering etc.



E4/4HD - high torsional rigidity



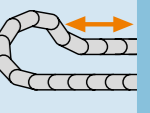
Electrically conductive ESD e-chains® upon request



E4/4HD system, tried and tested for very long travels



e-tubes available as special design with HT material for 850°C swarf



Series	Inner height <i>hi</i> [mm]	Inner width <i>Bi</i> [mm]	Outer width <i>Ba</i> [mm]	Outer height <i>ha</i> [mm]	Bend radius <i>R</i> [mm]	Travel ≤ [m]	Page
--------	--------------------------------	-------------------------------	-------------------------------	--------------------------------	------------------------------	-----------------	------



e-chains® with crossbars every link
for particularly demanding applications

4040HD	56	50 - 600	104 - 654	84	135 - 400	350	1098
5050HD	80	50 - 600	110 - 660	108	150 - 500	500	1104



e-tubes
fully enclosed,
excellent cable protection

8840HD	56	75 - 462	129 - 516	84	150 - 400	350	1098
9850HD	80	75 - 462	135 - 522	108	150 - 500	500	1104



Available from stock. Ready to ship in 24 - 48hrs.*

*The delivery times indicated correspond to the average time until the ordered goods are dispatched.

Reduce assembly time - E4 e-chain® opener

- e-chain® opener tools for easy opening and closing of e-chains®
- Simple opening and closing of e-chain® crossbars
- Also for use in hard to reach locations
- Significant assembly time reduction

More information ► www.igus.eu/E4savetime



AX - special e-chains® - especially for fine dust applications

- For long travels in fine-particulate applications
- Exterior stop-dogs prevent the build-up of dust, dirt, swarf, flour, etc.
- Mounting brackets and accessories available


More information ► www.igus.eu/4040AX




Technical data

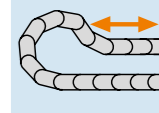
	Speed gliding	≤ 10 [m/s]
	Acceleration gliding	≤ 50 [m/s ²]
	Material - permitted temperature °C, igumid G	-40°C / +120°C
	Flammability class, igumid G	VDE 0304 IIC UL94-HB

Order example | Order key

 Order example for complete e-chain® (1.0m), colour black, with mounting brackets and interior separation:

e-chain® (1.0m)	Please indicate e-chain® length or number of links: 1.0m or 11 links	4040HD.30.300.0
+ Mounting brackets	1 full set, steel	40400HD.12.E
Interior separation	with 2 separators assembled every 2 nd link	2 x 56.1.1
Order text:	1 m 4040HD.30.300.0 + 40400HD.12.E + 2 x 56.1.1	

 Order key
4040HD.30.300.0



The maintenance-free series 4040HD protects the igus® chainflex® motor and signal cables during the lifting and lowering movements of this tidal turbine and protects them against the aggressive ambient conditions. 20m vertical movement above and below water

P4 profile-rol e-chain® - reduce energy consumption by 57%

- Safe, low-noise, abrasion-resistant energy supply system for long travels
- Long travels up to 800m and more, high fill weights up to 30kg/m
- For very long travels and high travel speeds up to 10m/s
- autoglide crossbars for safe guidance

More information ► From page 1112



E4/4 rol e-chain® - rolling instead of gliding

- 75% reduction of drive power needed to move the e-chain®
- Long travels up to 800m with E4/4 rol e-chain®
- Speeds up to 6m/s possible
- Uniform roller resistance

More information ► From page 1142

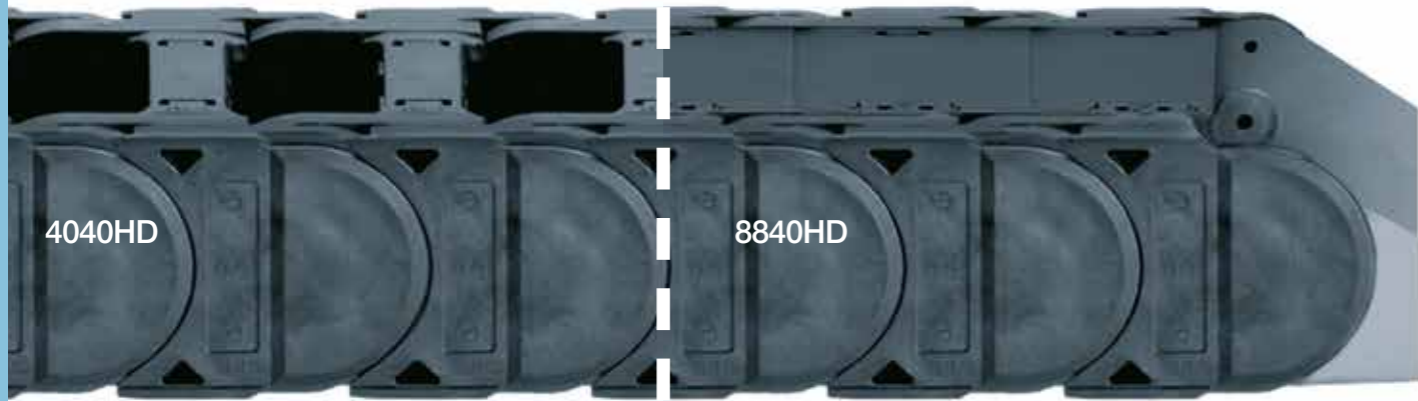
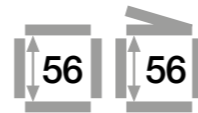


autoglide - self-guiding e-chain systems®

- Self-guiding e-chains® without the need for guide troughs, available in 4 versions
- Travels up to 80m and travel speeds up to 2.5m/s
- Quick installation for long travels
- Small width, quiet operation, cost-effective

More information ► From page 1170





4040HD

8840HD

e-chains® | Series 4040HD | Crossbars every link (crossbars removable along the inner and outer radius)
e-tubes | Series 8840HD | Fully closed (lids openable along the outer radius, from one side)

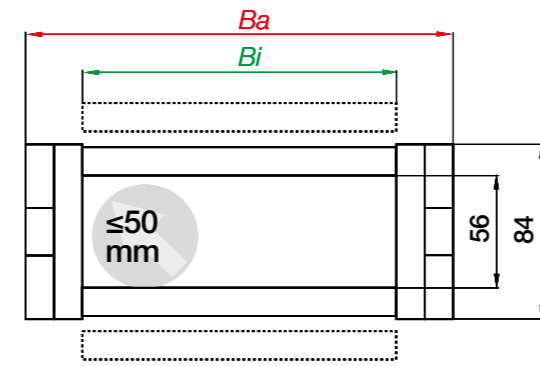
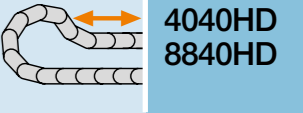
Part No.	<i>B_i</i>	<i>B_a</i>	4040HD	8840HD	Part No.	<i>B_i</i>	<i>B_a</i>	4040HD	8840HD
e-chains® / e-tubes	[mm]	[mm]	[kg/m]	[kg/m]	e-chains® / e-tubes	[mm]	[mm]	[kg/m]	[kg/m]
4040HD. – 05. R.0	50	104	≈ 5.03	–	4040HD. – 31. R.0	312	366	≈ 6.94	–
4040HD. – 06. R.0	65	119	≈ 5.12	–	4040HD. – 32. R.0	325	379	≈ 7.05	–
4040HD. 8840HD. 07. R.0 ¹⁾	75	129	≈ 5.19	≈ 5.64	4040HD. – 33. R.0	337	391	≈ 7.17	–
4040HD. – 08. R.0	87	141	≈ 5.27	–	4040HD. 8840HD. 35. R.0	350	404	≈ 7.37	≈ 9.38
4040HD. 8840HD. 10. R.0	100	154	≈ 5.36	≈ 5.93	4040HD. – 36. R.0	362	416	≈ 7.28	–
4040HD. – 11. R.0	112	166	≈ 5.48	–	4040HD. – 37. R.0	375	429	≈ 7.38	–
4040HD. 8840HD. 12. R.0	125	179	≈ 5.56	≈ 6.29	4040HD. – 38. R.0	387	441	≈ 7.49	–
4040HD. – 13. R.0	137	191	≈ 5.69	–	4040HD. 8840HD. 40. R.0	400	454	≈ 7.76	≈ 10.38
4040HD. 8840HD. 15. R.0	150	204	≈ 5.73	≈ 6.67	4040HD. – 41. R.0	412	466	≈ 7.68	–
4040HD. – 16. R.0	162	216	≈ 5.84	–	4040HD. – 42. R.0	425	479	≈ 7.98	–
4040HD. 8840HD. 17. R.0	175	229	≈ 5.97	≈ 6.98	4040HD. – 43. R.0	437	491	≈ 7.82	–
4040HD. – 18. R.0	187	241	≈ 6.09	–	4040HD. – 45. R.0	450	504	≈ 8.15	–
4040HD. 8840HD. 20. R.0	200	254	≈ 6.14	≈ 7.29	4040HD. 8840HD. 46. R.0	462	516	≈ 8.10	≈ 10.85
4040HD. – 21. R.0	212	266	≈ 6.21	–	4040HD. – 47. R.0	475	529	≈ 8.14	–
4040HD. – 22. R.0	225	279	≈ 6.28	–	4040HD. – 48. R.0	487	541	≈ 8.39	–
4040HD. – 23. R.0	237	291	≈ 6.39	–	4040HD. – 50. R.0	500	554	≈ 8.39	–
4040HD. 8840HD. 25. R.0	250	304	≈ 6.50	≈ 8.02	4040HD. – 51. R.0	512	566	≈ 8.44	–
4040HD. – 26. R.0	262	316	≈ 6.59	–	4040HD. – 52. R.0	525	579	≈ 8.57	–
4040HD. 8840HD. 27. R.0	275	329	≈ 6.70	≈ 8.38	4040HD. – 53. R.0	537	591	≈ 8.66	–
4040HD. – 28. R.0	287	341	≈ 6.75	–	4040HD. – 55. R.0	550	604	≈ 9.08	–
4040HD. 8840HD. 30. R.0	300	354	≈ 6.91	≈ 8.68	4040HD. – 60. R.0	600	654	≈ 9.31	–

¹⁾Radius not available for e-tubes 1) Lid removable only, no hinged option

Available bend radii

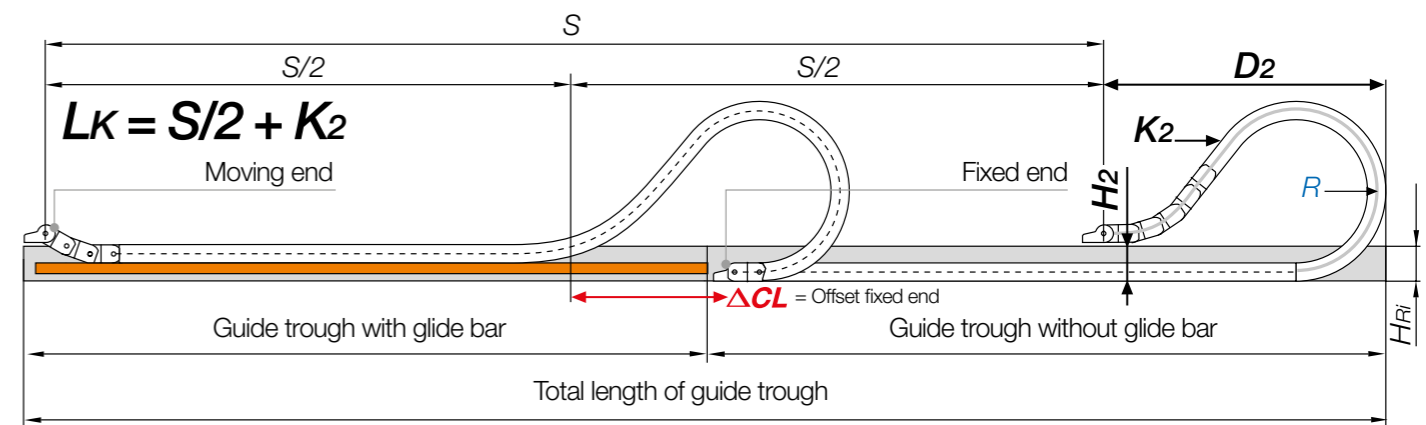
R [mm] | 135* | 150 | 200 | 250 | 300 | 350 | 400 |

Complete Part No. with required radius (*R*). Example: 4040HD.30.300.0



Inner height [mm]	56
Pitch [mm/link]	91
Links/m	11
corresponds to [mm]	1,001
e-chain® length $L_K = S/2 + K$	

Gliding applications | Long travels up to max. 350m | Fill weight 16kg/m



Note: We recommend the project planning of such a system to be carried out by igus®. In case of travels under 10m we recommend an unsupported e-chain®.

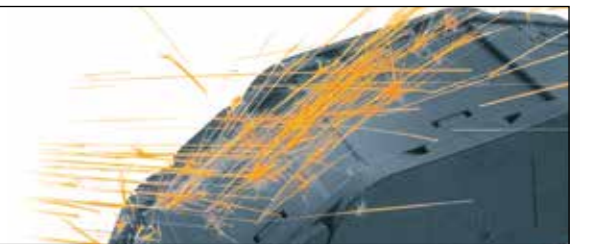
<i>R</i>	135*	150	200	250	300	350	400
<i>H₂</i>	266	266	266	266	266	266	266
<i>D₂</i>	390	450	710	920	1,180	1,440	1,530
<i>K₂</i>	728	819	1,274	1,638	2,002	2,366	2,548
ΔCL	124	159	359	509	709	909	959

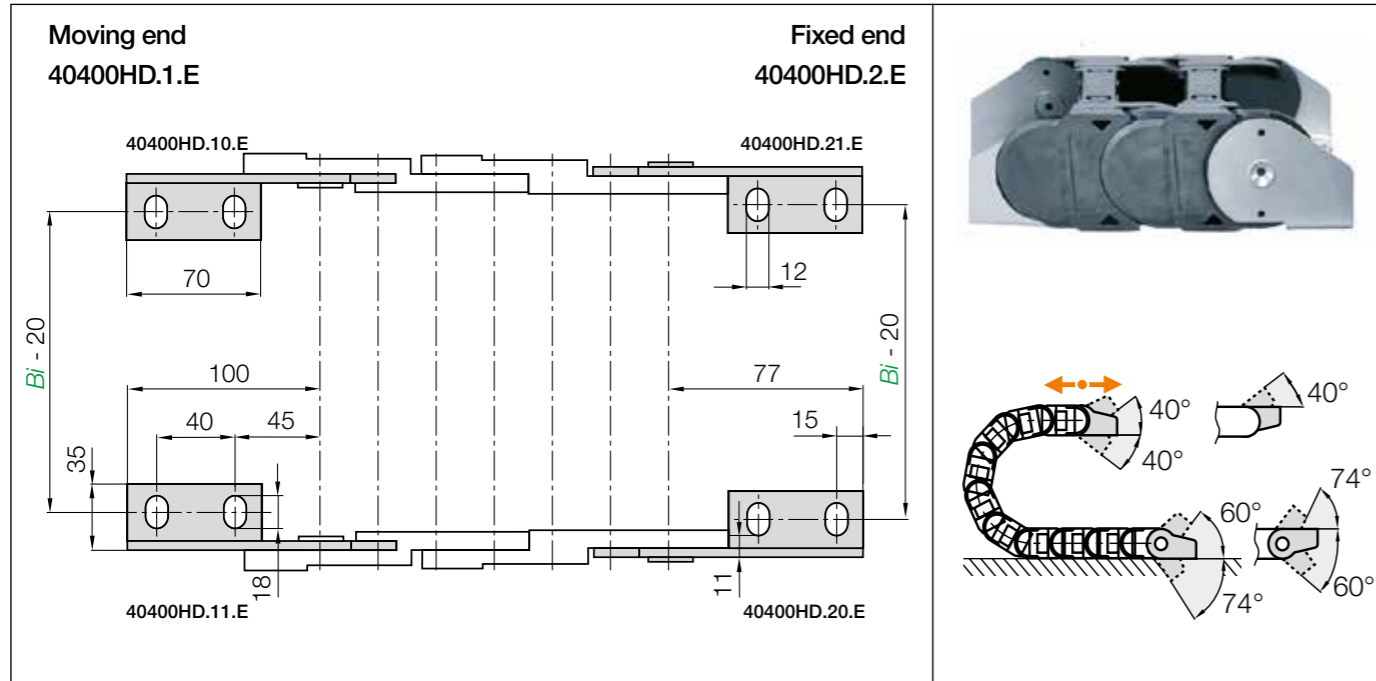
**Radius not available for e-tubes.

Swarf up to +850°C

- e-tubes to withstand +850°C swarf, as a special option
- No hot swarf melting or embedding into the chain
- igus® igumid HT material

More information ► www.igus.eu/HT

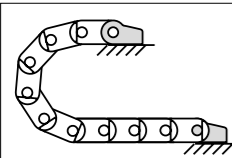




Steel, pivoting | For gliding applications and long travels

Part No. full set	Description
steel pivoting	mounting bracket
40400HD.12.2.VS.E	Set of stainless steel mounting brackets, assembled
40400HD.1.2.VS.E	Mounting brackets moving end, assembled
40400HD.2.2.VS.E	Mounting brackets fixed end, assembled

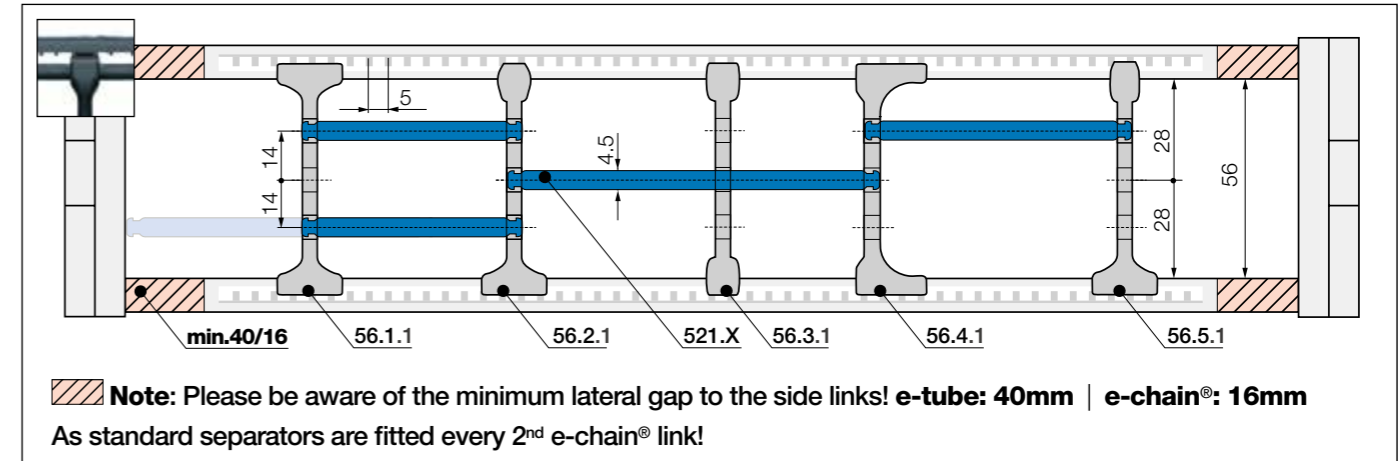
Stainless steel version available. Please add the index **.E!** (Material: stainless steel 1.4301)



Attachment options for these steel mounting brackets.
Note: By ordering steel mounting brackets in combination with an e-chain® / e-tube, they will be delivered assembled!

Strain relief e.g. clamps, tiwrap plates, nuggets and plug-in clips are available from stock. The complete chainfix range with ordering options ► From page 1300

More interior separation options ► next page



		Standard separator, wide base
		unassembled 56.1 assembled 56.1.1

Standard - for any application
Separator with a wide base for maximum holding force in the e-chain®.

		Separator, narrow top
		unassembled 56.2 assembled 56.2.1

For even faster installation
Wide on one side for high holding force, narrow on opposite side for easy cable fitting.

		Separator, narrow
		unassembled 56.3 assembled 56.3.1

For small cables
Separator with a narrow base for a large number of small cables side by side. Saves space in the e-chain®. Also available for QuickLock crossbars.

		Separator, asymmetrical
		unassembled 56.4 assembled 56.4.1

For side-mounted applications
Asymmetrical separator, for defined gap distance. No additional spacers required.

		Notch separator for notched crossbar
		unassembled 56.5 assembled 56.5.1

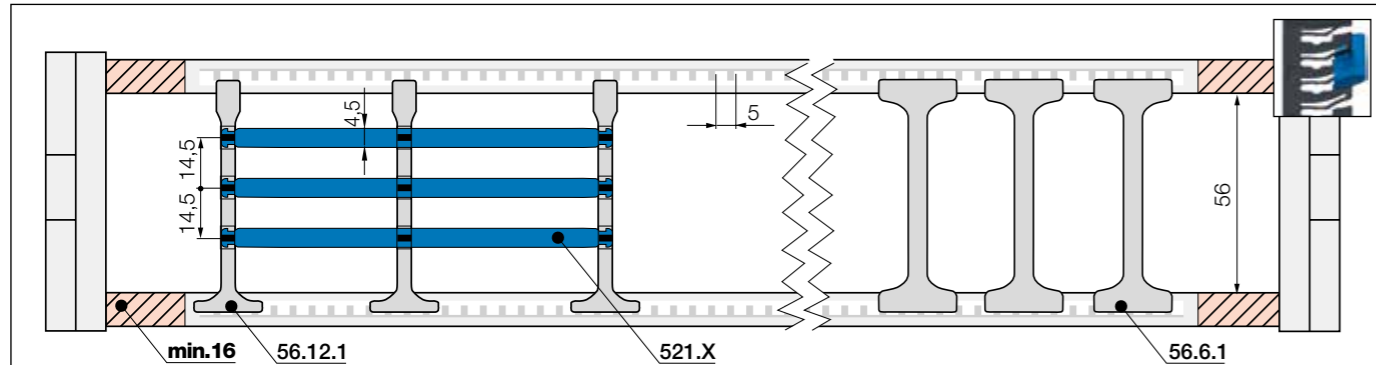
Locks securely in preset increments
Notch separator for exact positioning in e-chains®. Recommended for side-mounted applications.

		Shelf, lockable
		unassembled 520.X assembled 521.X

Horizontal separation
Full-width shelf locks securely into separators at both ends, giving a fixed width. Can be used as full-width or partial shelf.

Shelves Width = X [mm]	X [mm]		X [mm]		X [mm]			
	unassembled	assembled	unassembled	assembled	unassembled	assembled		
050	520.050	521.050	150	520.150	521.150	300	520.300	521.300
065	520.065	521.065	175	520.175	521.175	350	520.350	521.350
075	520.075	521.075	200	520.200	521.200	375	520.375	520.375
100	520.100	521.100	225	520.225	521.225	387	520.387	520.387
125	520.125	521.125	250	520.250	521.250	450	520.450	521.450

Interior separation | To allow faster filling



Note: Please be aware of the minimum lateral gap to the side links! **e-tube: 40mm** | **e-chain®: 16mm**
As standard separators are fitted every 2nd e-chain® link!

Lean separator		Part No.
	unassembled	56.12
	assembled	56.12.1

Lean separators New

New design allows extremely fast fitting of shelves in several layers, which significantly reduces assembly time. Enables extremely fast replacement of individual cables in a very full e-chain®.



Lean separator design - several layers of cables fitted quickly, save up to 50%* assembly time

(*Lean separator vs. standard separator - measured on a 4m long e-chain® fitted with 12 cables in the igus® readychain® factory)

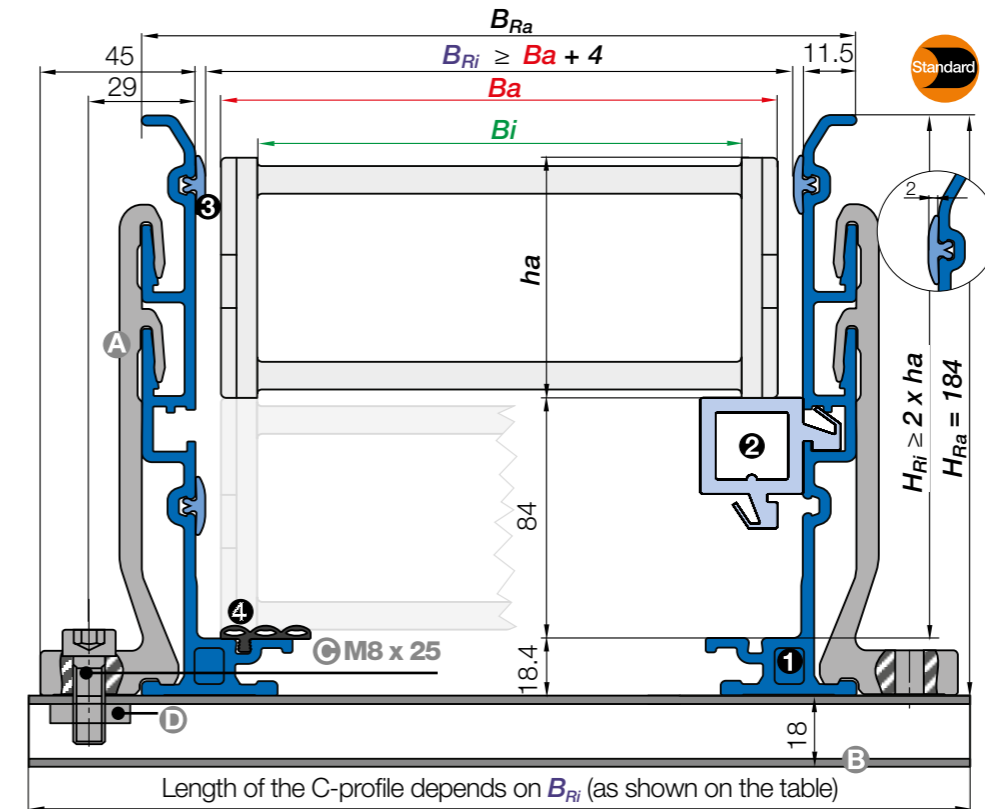
More interior separation options

Notch locking separator		Part No.
	unassembled	56.6
	assembled	56.6.1

Notch locking separator for increased holding force

Notch locking separators offer higher crossbar opening forces for high humidity and/or large hydraulic hoses. They can be positioned precisely and then locked in position.

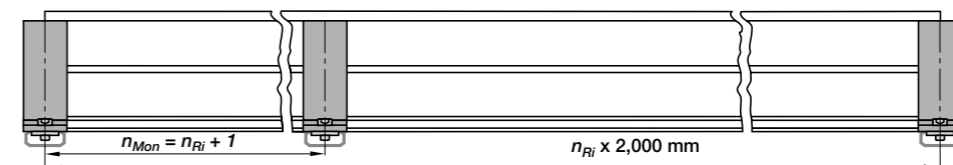
Part No. 974.30.SL | 974.31.SL | Trough height: 184mm



- **Trough set heavy duty:** ① Trough side parts, aluminium, 2m ② Glide bar, plastic, 2m ③ Glide strips, plastic, 2m (without glide strips upon request) ④ Optional: rubber silencer profile
- **Installation set heavy duty:** A Bottom clamp, aluminium B C-profile, galvanised steel, length ▶ Table C Allen wrench M8 x 25 D Glide nut M8

Order example: length of 30m - centre fixed for series 4040HD.30.300.0 with $B_{Ri} = 358$

Guide trough set (set of 2 trough side parts, incl. glide strips) without glide bars	974.30.SL
Order text: 16m guide trough without glide bar (8 x 2m sections)	
Guide trough set (set of 2 trough side parts, incl. glide strips) with glide bar	974.31.SL
Order text: 16m guide trough with glide bar (8 x 2m sections)	
Installation set complete (quantity: guide trough sets + 1)	974.50.475
Order text: 17 installation sets	
Option: for an additional noise dampening with silencer profile, please add Index A	974.30.SLA

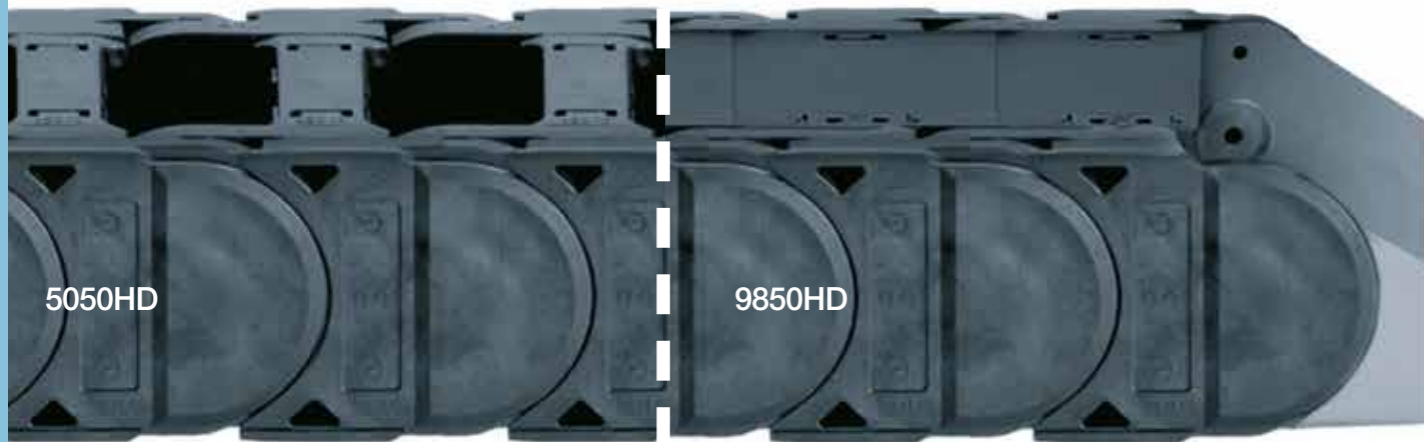


Principle sketch: number of installation sets to be installed = number of trough sections + 1

- Trough set
- Installation set
- Glide bar
- C-profile
- B_a = e-chain® outer width
- B_i = e-chain® inner width
- B_{Ri} = Trough inner width
- B_{Ra} = Trough outer width
- H_{Ri} = Trough inner height
- H_{Ra} = Trough outer height
- n_{Mon} = Number of installation sets
- n_{Ri} = Number of trough sets

Installation set heavy duty with C-Profile

Width index	B_{Ri} [mm]	Part No. installation set
.05	108	974.50.225
.06	123	974.50.250
.07	133	974.50.250
.08	145	974.50.275
.10	158	974.50.275
.11	170	974.50.300
.12	183	974.50.300
.13	195	974.50.325
.15	208	974.50.325
.16	220	974.50.350
.17	233	974.50.350
.18	245	974.50.375
.20	258	974.50.375
.21	270	974.50.400
.22	283	974.50.400
.23	295	974.50.425
.25	308	974.50.425
.26	320	974.50.450
.27	333	974.50.450
.28	345	974.50.475
.30	358	974.50.475
.31	370	974.50.500
.32	383	974.50.500
.33	395	974.50.525
.35	408	974.50.525
.36	420	974.50.550
.37	433	974.50.550
.38	445	974.50.575
.40	458	974.50.575
.41	470	974.50.600
.42	483	974.50.600
.43	495	974.50.625
.45	508	974.50.625
.46	520	974.50.650
.47	533	974.50.650
.48	545	974.50.675
.50	558	974.50.675
.51	570	974.50.700
.52	583	974.50.700
.53	595	974.50.725
.55	608	974.50.725
.60	658	974.50.775



5050HD

9850HD

e-chains® | Series 5050HD | Crossbars every link (crossbars removable along the inner and outer radius)
e-tubes | Series 9850HD | Fully closed (lids openable along the outer radius, from one side)

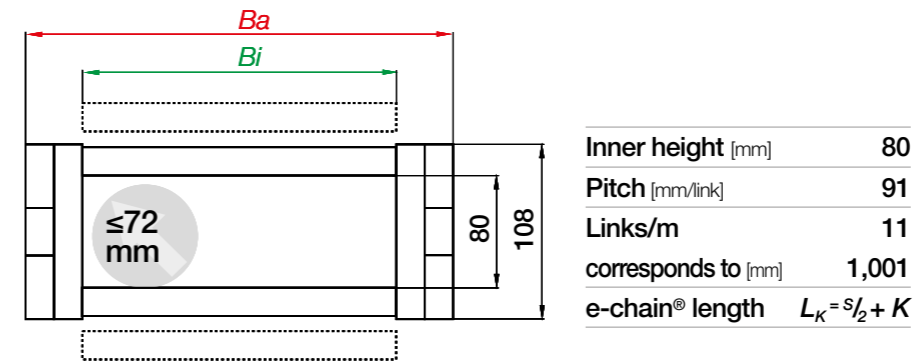
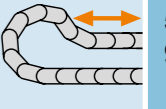
Part No.	<i>B_i</i>	<i>B_a</i>	5050HD	9850HD	Part No.	<i>B_i</i>	<i>B_a</i>	5050HD	9850HD
e-chains® / e-tubes	[mm]	[mm]	[kg/m]	[kg/m]	e-chains® / e-tubes	[mm]	[mm]	[kg/m]	[kg/m]
5050HD. – 05. R.0	50	110	≈ 6.65	–	5050HD. – 31. R.0	312	372	≈ 8.57	–
5050HD. – 06. R.0	65	125	≈ 6.74	–	5050HD. – 32. R.0	325	385	≈ 8.67	–
5050HD. 9850HD. 07. R.0 ¹⁾	75	135	≈ 6.81	≈ 7.25	5050HD. – 33. R.0	337	397	≈ 8.79	–
5050HD. – 08. R.0	87	147	≈ 6.89	–	5050HD. 9850HD. 35. R.0	350	410	≈ 8.99	≈ 11.00
5050HD. 9850HD. 10. R.0	100	160	≈ 6.99	≈ 7.55	5050HD. – 36. R.0	362	422	≈ 8.90	–
5050HD. – 11. R.0	112	172	≈ 7.10	–	5050HD. – 37. R.0	375	435	≈ 9.00	–
5050HD. 9850HD. 12. R.0	125	185	≈ 7.18	≈ 7.91	5050HD. – 38. R.0	387	447	≈ 9.11	–
5050HD. – 13. R.0	137	197	≈ 7.32	–	5050HD. 9850HD. 40. R.0	400	460	≈ 9.38	≈ 12.00
5050HD. 9850HD. 15. R.0	150	210	≈ 7.35	≈ 8.29	5050HD. – 41. R.0	412	472	≈ 9.31	–
5050HD. – 16. R.0	162	222	≈ 7.47	–	5050HD. – 42. R.0	425	485	≈ 9.60	–
5050HD. 9850HD. 17. R.0	175	235	≈ 7.60	≈ 8.60	5050HD. – 43. R.0	437	497	≈ 9.44	–
5050HD. – 18. R.0	187	247	≈ 7.71	–	5050HD. – 45. R.0	450	510	≈ 9.55	–
5050HD. 9850HD. 20. R.0	200	260	≈ 7.77	≈ 8.91	5050HD. 9850HD. 46. R.0	462	522	≈ 9.72	≈ 12.47
5050HD. – 21. R.0	212	272	≈ 7.84	–	5050HD. – 47. R.0	475	535	≈ 9.76	–
5050HD. – 22. R.0	225	285	≈ 7.91	–	5050HD. – 48. R.0	487	547	≈ 10.01	–
5050HD. – 23. R.0	237	297	≈ 8.02	–	5050HD. – 50. R.0	500	560	≈ 10.11	–
5050HD. 9850HD. 25. R.0	250	310	≈ 8.13	≈ 9.64	5050HD. – 51. R.0	512	572	≈ 10.02	–
5050HD. – 26. R.0	262	322	≈ 8.22	–	5050HD. – 52. R.0	525	585	≈ 10.19	–
5050HD. 9850HD. 27. R.0	275	335	≈ 8.32	≈ 10.00	5050HD. – 53. R.0	537	597	≈ 10.29	–
5050HD. – 28. R.0	287	347	≈ 8.38	–	5050HD. – 55. R.0	550	610	≈ 10.71	–
5050HD. 9850HD. 30. R.0	300	360	≈ 8.53	≈ 10.30	5050HD. – 60. R.0	600	660	≈ 10.94	–

1) Lid removable only, no hinged option

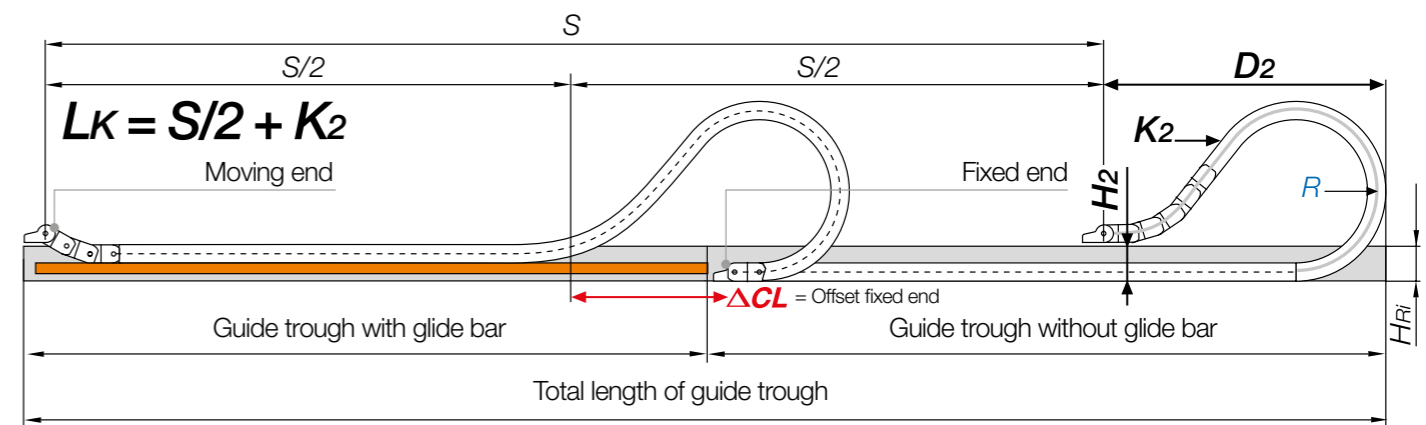
Available bend radii

R [mm] | 150 | 200 | 250 | 300 | 350 | 400 | 500 |

Complete Part No. with required radius (*R*). Example: 5050HD.30.300.0



Gliding applications | Long travels up to max. 500m | Fill weight 30kg/m



Note: We recommend the project planning of such a system to be carried out by igus®. In case of travels under 10m we recommend an unsupported e-chain®.

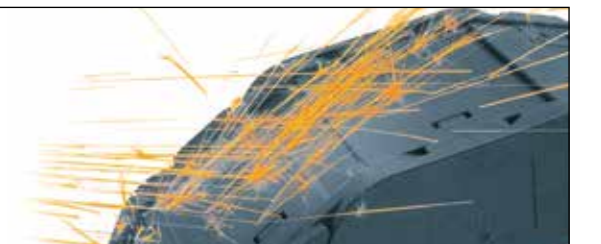
<i>R</i>	150	200	250	300	350	400	500
<i>H₂</i>	242	242	242	242	242	242	242
<i>D₂</i>	550	800	950	1,200	1,550	1,700	2,175
<i>K₂</i>	910	1,274	1,638	2,002	2,457	2,730	3,458
ΔCL	209	409	509	709	1,009	1,109	1,484

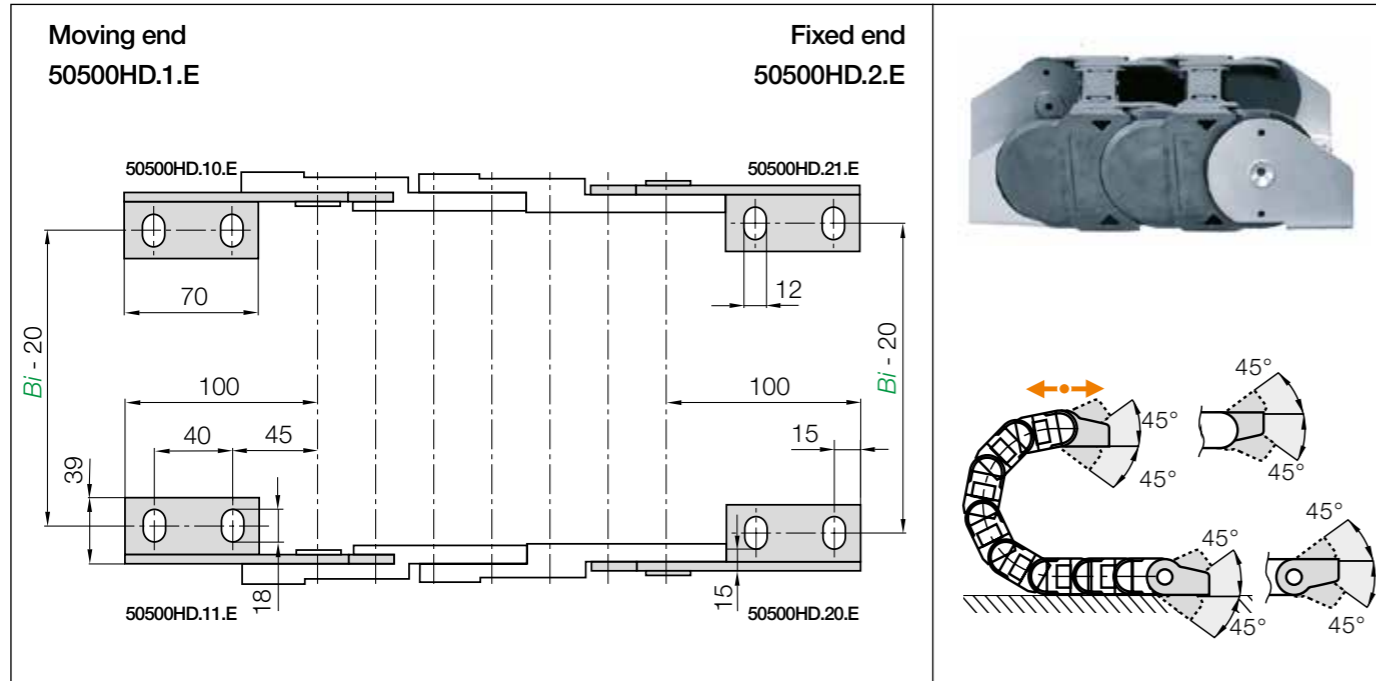
**Radius not available for e-tubes.

Swarf up to +850°C

- e-tubes to withstand +850°C swarf, as a special option
- No hot swarf melting or embedding into the chain
- igus® igumid HT material

More information ► www.igus.eu/HT

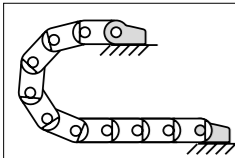




Steel, pivoting | For gliding applications and long travels

Part No. full set	Description
steel pivoting	mounting bracket
50500HD.12.2.VS.E	Set of stainless steel mounting brackets, assembled
50500HD.1.2.VS.E	Mounting brackets moving end, assembled
50500HD.2.2.VS.E	Mounting brackets fixed end, assembled

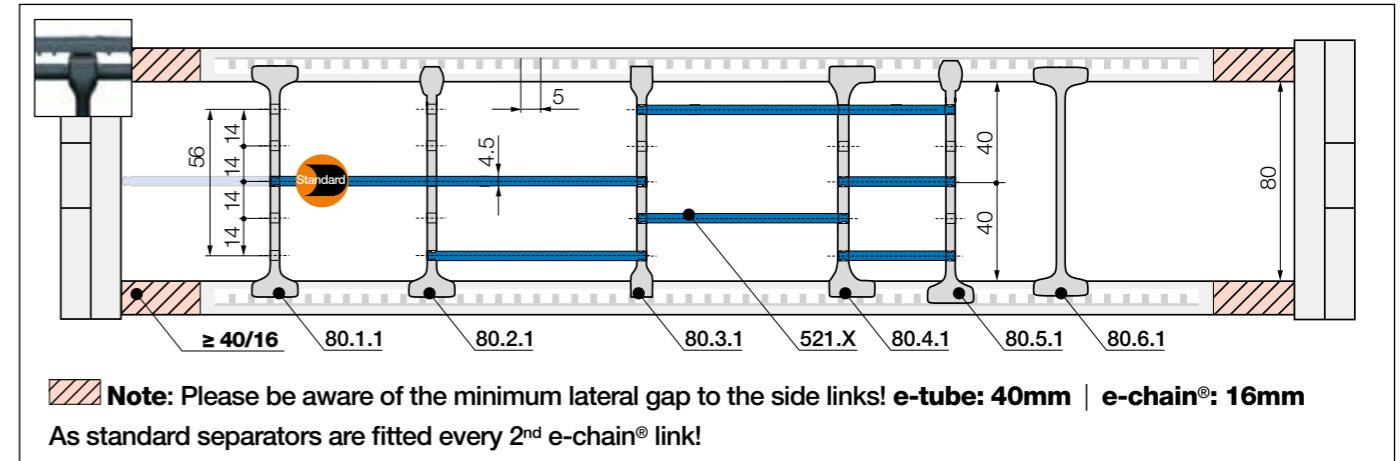
Stainless steel version available. Please add the index **.E!** (Material: stainless steel 1.4301)


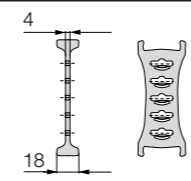


Attachment options for these steel mounting brackets.
Note: By ordering steel mounting brackets in combination with an e-chain® / e-tube, they will be delivered assembled!


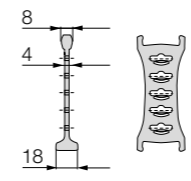
 **Strain relief** e.g. clamps, tiwrap plates, nuggets and plug-in clips are available from stock. The complete chainfix range with ordering options ► From page 1300

More interior separation options ► next page


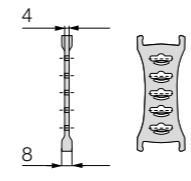


		4	Standard separator, wide base
		18	unassembled 80.1
			assembled 80.1.1


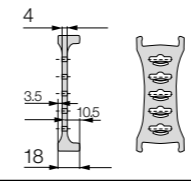
Standard - for any application
Separator with a wide base for maximum holding force in the e-chain®.

		8	Separator, narrow top
		4	unassembled 80.2
		18	assembled 80.2.1


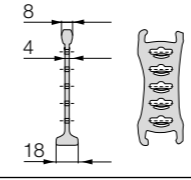
For even faster installation
Wide on one side for high holding force, narrow on opposite side for easy cable fitting.

		4	Separator, narrow
		8	unassembled 80.3
			assembled 80.3.1


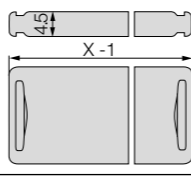
For small cables
Separator with a narrow base for a large number of small cables side by side. Saves space in the e-chain®. Also available for QuickLock crossbars.

		4	Separator, asymmetrical
		3.5	unassembled 80.4
		10.5	assembled 80.4.1

For side-mounted applications
Asymmetrical separator, for defined gap distance. No additional spacers required.

		8	Notch separator for notched crossbar
		4	unassembled 80.5
		18	assembled 80.5.1

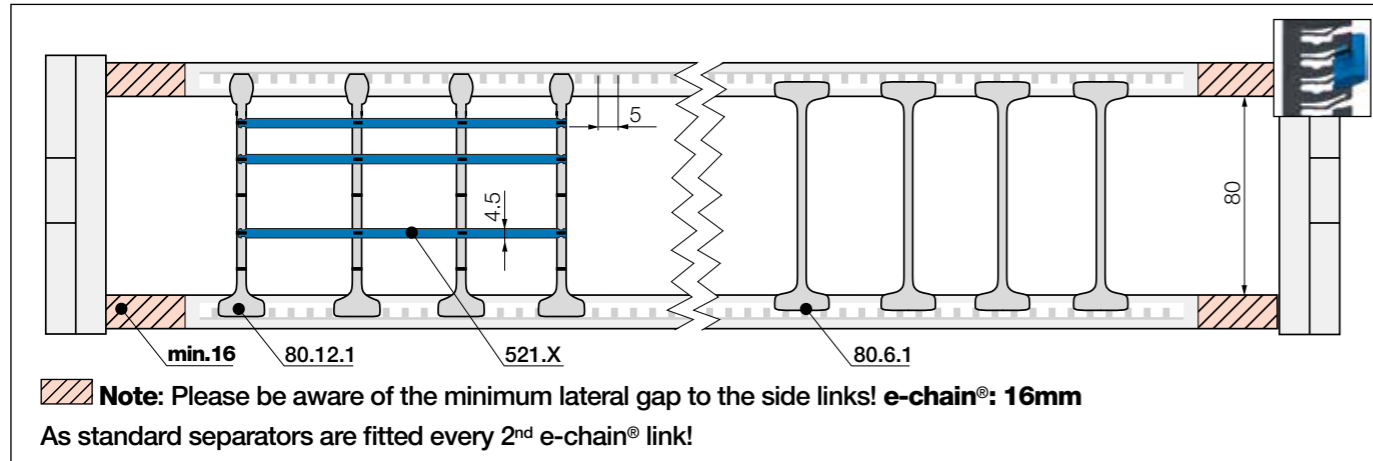
Locks securely in preset increments
Notch separator for exact positioning in e-chains®. Recommended for side-mounted applications.

		X-1	Shelf, lockable
			unassembled 520.X
			assembled 521.X

Horizontal separation
Full-width shelf locks securely into separators at both ends, giving a fixed width. Can be used as full-width or partial shelf.

Shelves Width = X [mm]	X [mm]			X [mm]			X [mm]			
	unassembled	assembled		unassembled	assembled		unassembled	assembled		
050	520.050	521.050		150	520.150	521.150		300	520.300	521.300
065	520.065	521.065		175	520.175	521.175		350	520.350	521.350
075	520.075	521.075		200	520.200	521.200		375	520.375	520.375
100	520.100	521.100		225	520.225	521.225		387	520.387	520.387
125	520.125	521.125		250	520.250	521.250		450	520.450	521.450

Interior separation | To allow faster filling



		Lean separator unassembled 80.12 assembled 80.12.1

Lean separators New

New design allows extremely fast fitting of shelves in several layers, which significantly reduces assembly time. Enables extremely fast replacement of individual cables in a very full e-chain®.

Lean separator design - several layers of cables fitted quickly, save up to 50%* assembly time

(*Lean separator vs. standard separator - measured on a 4m long e-chain® fitted with 12 cables in the igus® readychain® factory)



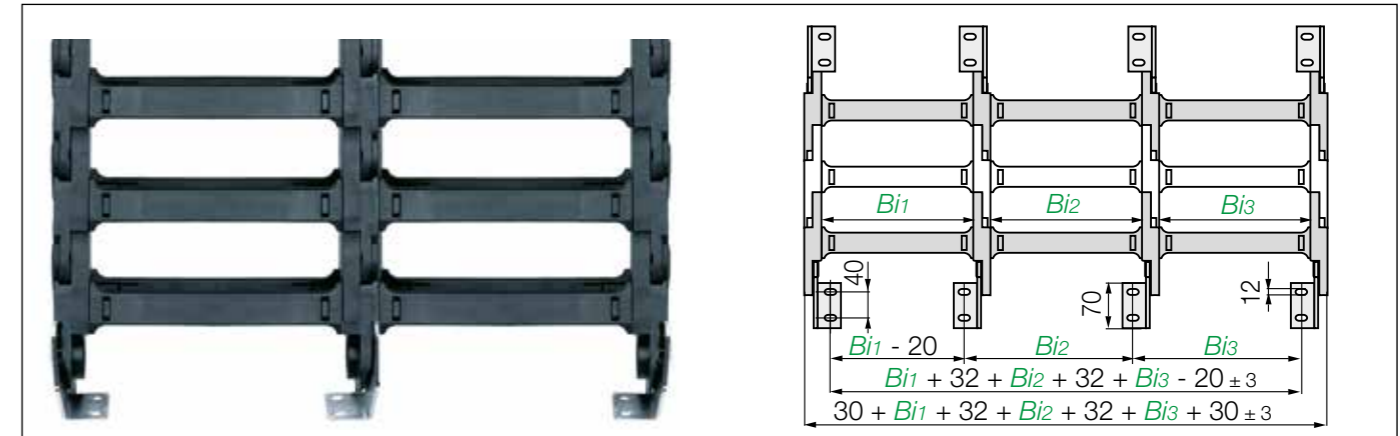
More interior separation options

		Notch locking separator unassembled 80.6 assembled 80.6.1

Notch locking separator for increased holding force

Notch locking separators offer higher crossbar opening forces for high humidity and/or large hydraulic hoses. They can be positioned precisely and then locked in position.

Extension links



Extension links | For extremely wide e-chains® up to 3.0m

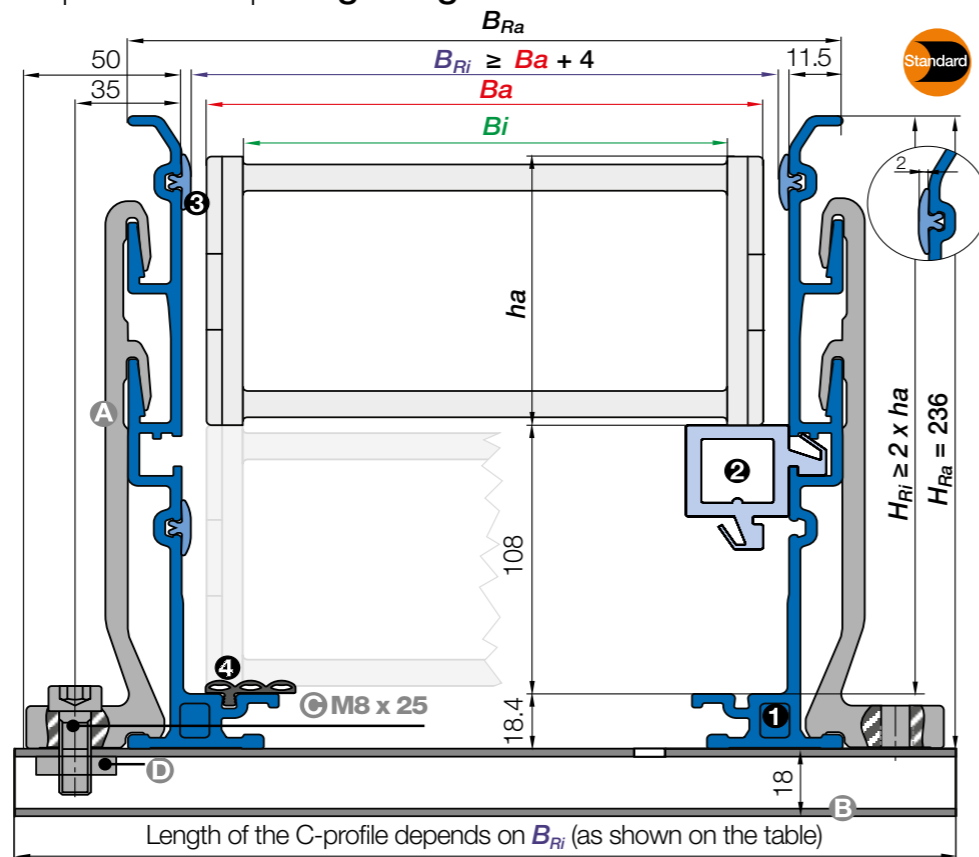
- Virtually unlimited side-by-side attachment when high fill weights necessitate extremely wide e-chains® (up to 3,000mm)
- The unsupported length FL_G max. can be increased when high fill weights are required



igus® e-chains® on a container crane. High loads and high speeds in difficult weather conditions

Installation set heavy duty with C-Profile

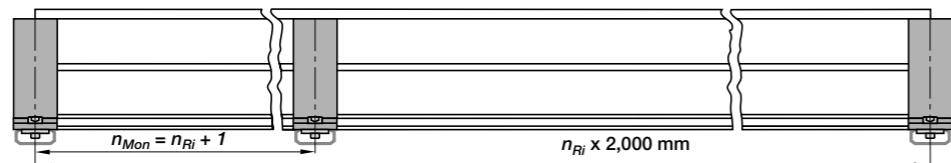
Width index	B_{Ri} [mm]	Part No. installation set
.05	114	975.50.250
.06	129	975.50.250
.07	139	975.50.275
.08	151	975.50.275
.10	164	975.50.300
.11	176	975.50.300
.12	189	975.50.325
.13	201	975.50.325
.15	214	975.50.350
.16	226	975.50.350
.17	239	975.50.375
.18	251	975.50.375
.20	264	975.50.400
.21	276	975.50.400
.22	289	975.50.425
.23	301	975.50.425
.25	314	975.50.450
.26	326	975.50.450
.27	339	975.50.475
.28	351	975.50.475
.30	364	975.50.500
.31	376	975.50.500
.32	389	975.50.525
.33	401	975.50.525
.35	414	975.50.550
.36	426	975.50.550
.37	439	975.50.575
.38	451	975.50.575
.40	464	975.50.600
.41	476	975.50.600
.42	489	975.50.625
.43	501	975.50.625
.45	514	975.50.650
.46	526	975.50.650
.47	539	975.50.675
.48	551	975.50.675
.50	564	975.50.700
.51	576	975.50.700
.52	589	975.50.725
.53	601	975.50.725
.55	614	975.50.750
.60	664	975.50.800



- **Trough set heavy duty:** ① Trough side parts, aluminium, 2m ② Glide bar, plastic, 2m ③ Glide strips, plastic, 2m (without glide strips upon request) ④ Optional: rubber silencer profile
- **Installation set heavy duty:** A Bottom clamp, aluminium B C-profile, galvanised steel, length ▶ Table C Allen wrench M8 x 25 D Glide nut M8

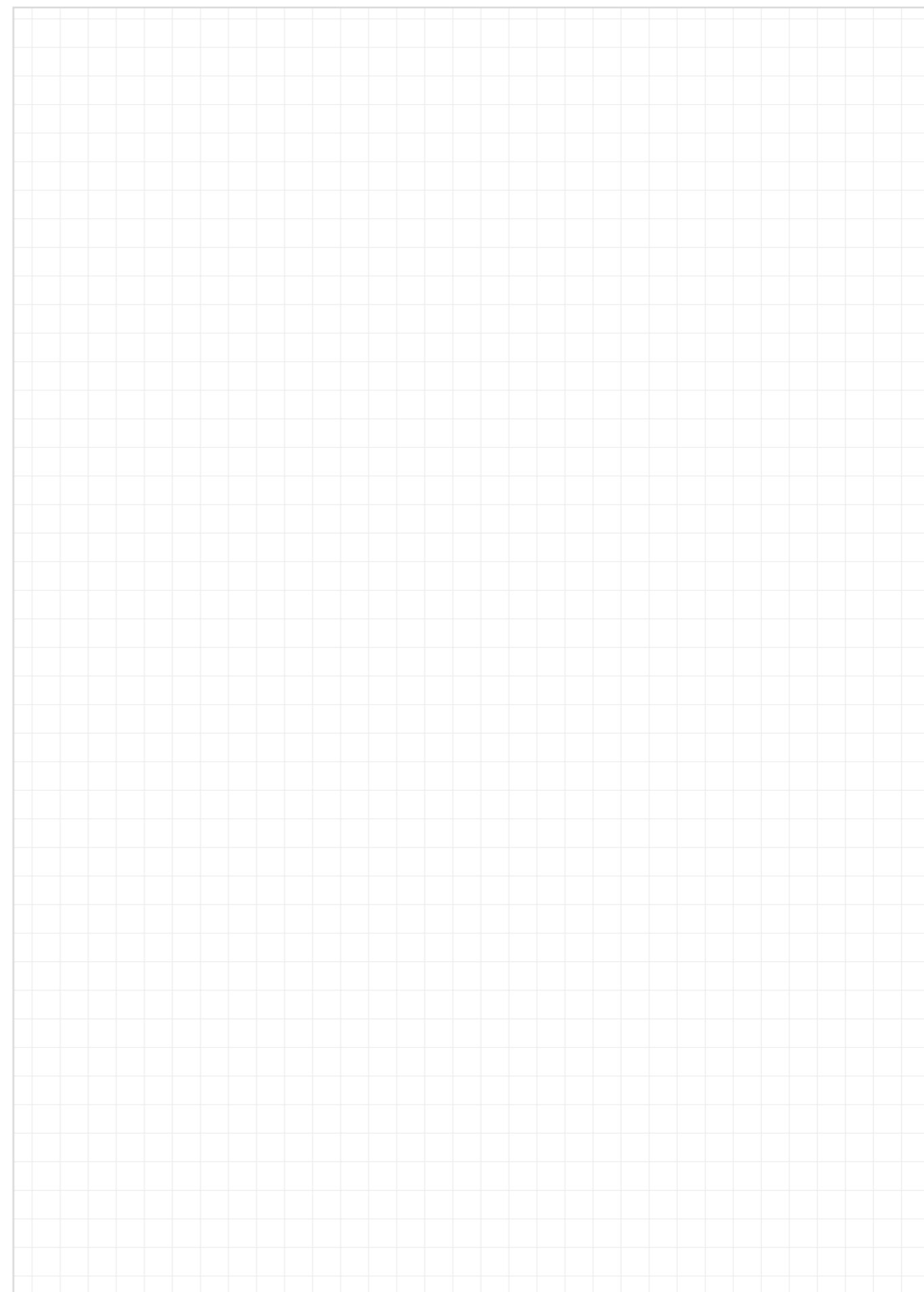
Order example: length of travel 30m - centre fixed for series 5050HD.30.300.0 with $B_{Ri} = 364$

Guide trough set (set of 2 trough side parts, incl. glide strips) without glide bars	975.30.SL
Order text: 16m guide trough without glide bar (8 x 2m sections)	
Guide trough set (set of 2 trough side parts, incl. glide strips) with glide bar	975.31.SL
Order text: 16m guide trough with glide bar (8 x 2m sections)	
Installation set complete (quantity: guide trough sets + 1)	975.50.500
Order text: 17 installation sets	
Option: for an additional noise dampening with silencer profile, please add Index A	975.30.SLA



Principle sketch: number of installation sets to be installed = number of trough sections + 1

- i** ● Trough set
- Installation set
- Glide bar
- C-profile
- B_a = e-chain® outer width
- B_i = e-chain® inner width
- B_{Ri} = Trough inner width
- B_{Ra} = Trough outer width
- H_{Ri} = Trough inner height
- H_{Ra} = Trough outer height
- n_{Mon} = Number of installation sets
- n_{Ri} = Number of trough sets



P4

Reduce energy consumption by up to 57% - with profile-rol e-chain®



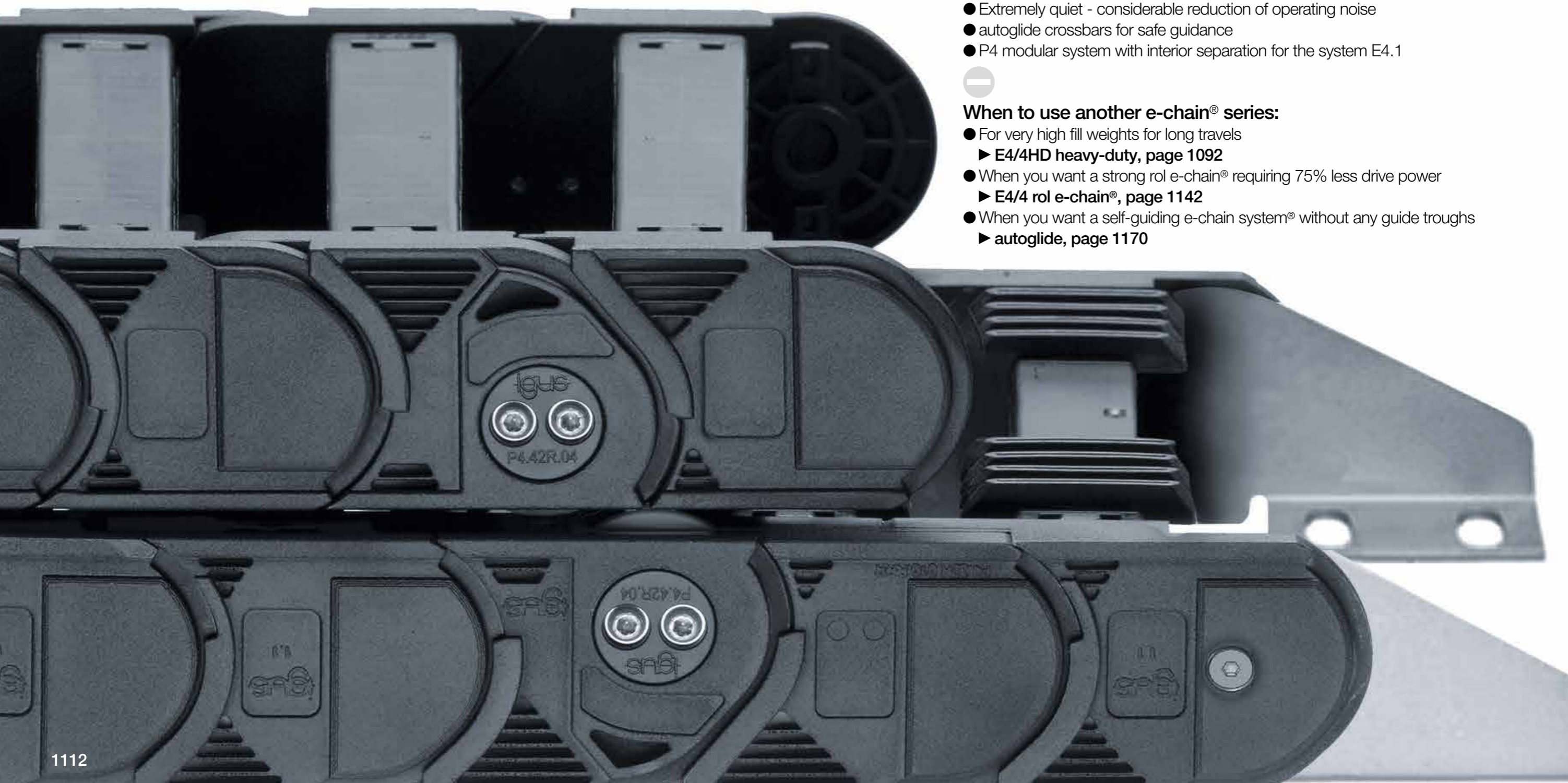
Advantages of P4:

- Reduce energy consumption by up to 57% - P4 profile-rol e-chain system®
- Safe, low-noise, abrasion-resistant energy supply system for long travels
- Long travels up to 800m and more, high fill weights up to 30kg/m
- For very long travels and high travel speeds up to 10m/s
- Identical pitch of the e-chain® link with or without roller
- Extremely quiet - considerable reduction of operating noise
- autoglide crossbars for safe guidance
- P4 modular system with interior separation for the system E4.1

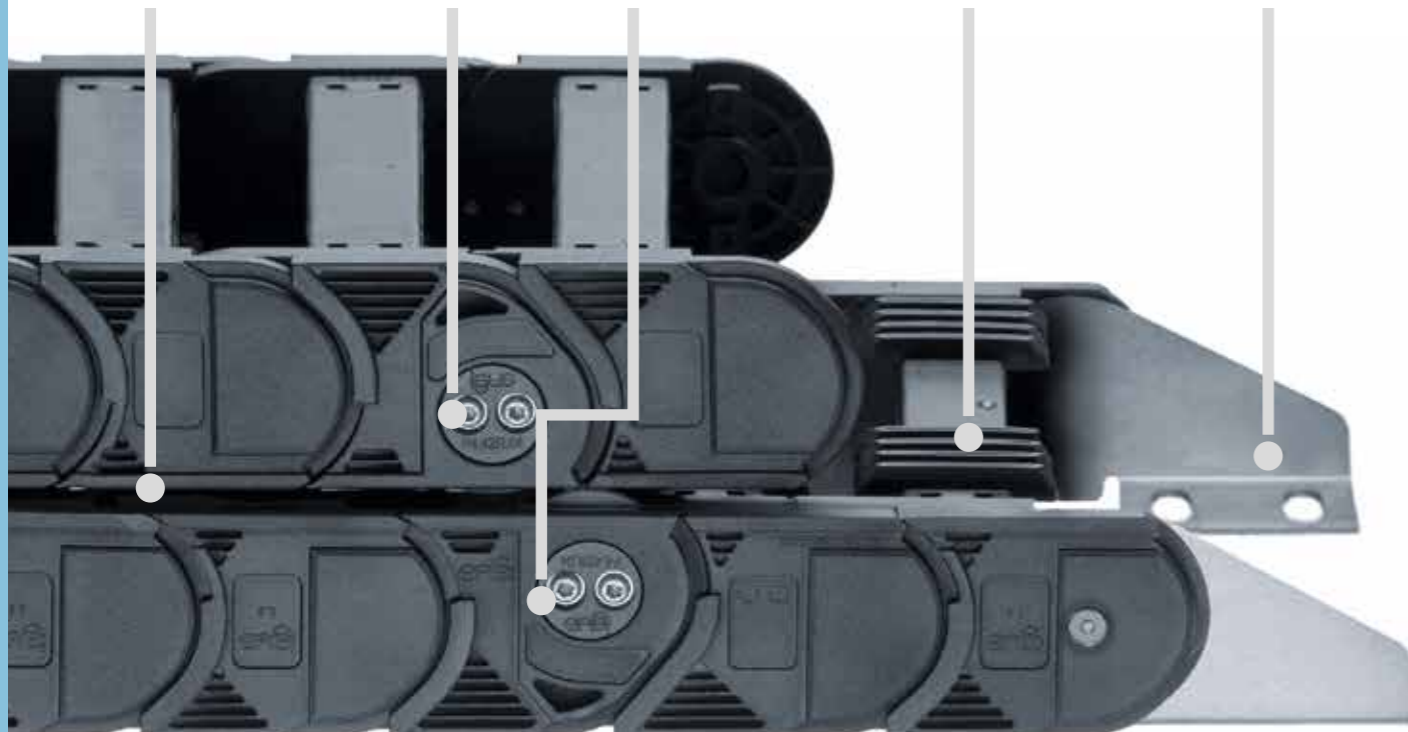


When to use another e-chain® series:

- For very high fill weights for long travels
 - ▶ E4/4HD heavy-duty, page 1092
- When you want a strong rol e-chain® requiring 75% less drive power
 - ▶ E4/4 rol e-chain®, page 1142
- When you want a self-guiding e-chain system® without any guide troughs
 - ▶ autoglide, page 1170



- Low vibration: offset operation of upper and lower run
- Low maintenance: tribo-optimised plastic rollers
- Low noise: special roller and e-chain® link design
- Secure guidance: comb style auto glide crossbars
- Tough: steel mounting brackets



Reduce energy consumption by up to 57% - P4 system, profile rol e-chain®

System P4 - safe, low-noise, abrasion-resistant energy supply system for long travels up to 800m and more. With the low-maintenance igus® system P4, a secure energy supply system can be implemented on long travels up to 800m for cranes or conveyor systems. The upper run and lower run roll staggered on each other. In this way the tribo-optimised plastic rollers don't impact on each other, but roll on a continuous, wide rolling surface. The P4 profile-rol e-chain® is safely guided by the comb-shaped autoglide crossbars and the special trough system. Systems of this type should be designed in conjunction with our engineering team.

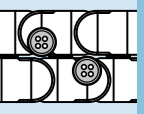
- Long travels up to 800m and more, high fill weights up to 30kg/m
- For very long travels and high travel speeds up to 10m/s
- Identical pitch of the e-chain® link with or without roller
- Extremely quiet - considerable reduction of operating noise
- Integrated captive roller in the side part
- autoglide crossbars for a safe guidance
- Large modular P4 system with interior separation for the system E4

Typical industries and applications

- Crane equipment ● Automated storage and retrieval systems ● Plant construction ● Gantry robots ● Material handling



Find a video online
▶ www.igus.eu/P4_Film



Series	Inner height <i>hi</i> [mm]	Inner width <i>Bi</i> [mm]	Outer width <i>Ba</i> [mm]	Outer height <i>ha</i> [mm]	Bend radius <i>R</i> [mm]	Travel ≤ [m]	Page
P4.32	32	100 - 250	132 - 282	54	150 - 250	500	1118
P4.42	42	100 - 200	154 - 254	64	100 - 350	600	1124
P4.56	56	187 - 400	257 - 470	84	250 - 350	800	1130
P4.80	80	187 - 400	263 - 476	108	250 - 350	800	1136



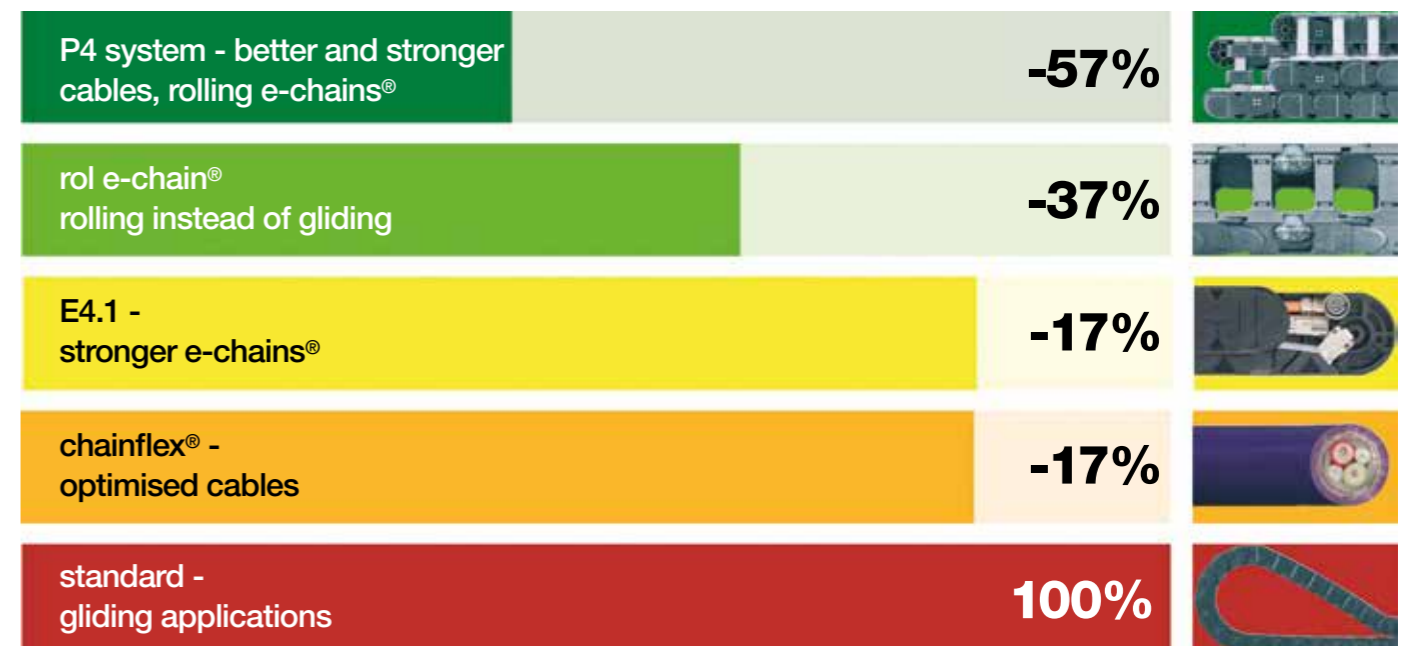
Profile rol e-chain®
safe, low-noise, abrasion-resistant for long travels

Available from stock. Ready to ship in 24 - 48hrs.*

*The delivery times indicated correspond to the average time until the ordered goods are dispatched.

Energy efficient e-chains® and cables reduce energy consumption by 57%

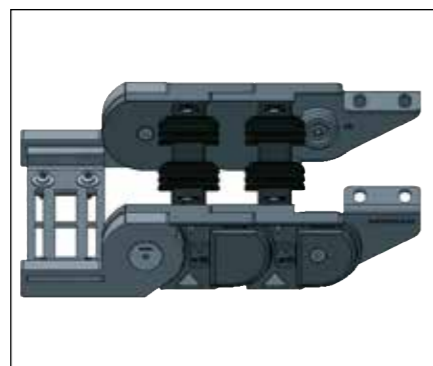
Thanks to the right materials and the ingenious design, the energy consumption of machines and equipment can be significantly reduced, as shown by tests and sample calculations carried out in the igus® test laboratory for e-chains® and cables. The latest e-chains® and chainflex® cables from igus® reduce the drive power needed and increase the service life of the application.



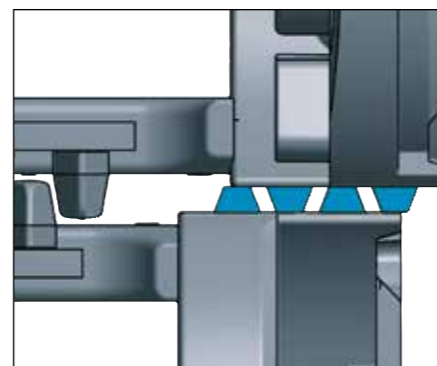
P4 + chainflex® = **-57% less energy consumption**
Calculation examples online
▶ www.igus.eu/energy_efficiency



Optimised interior separation products, cables last up to 4 times longer



Robust igus® pivoting mounting brackets



Offset operation of upper and lower run, resulting in continuous rolling surface



- Extension link for heavy fill weights
- Available in 2 inner heights (56, 80mm)
- 50% higher fill weight possible
- High rigidity
- Divides the e-chain® cross section into compartments (electric/hydraulic)



- Tribo-optimised plastic rollers for all igus® P4 systems
- Wear optimised
- Long service life
- Improved rolling
- Noise-reducing, vibration damping
- Same size of rolling and standard e-chain® links



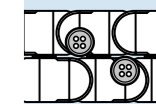
- Aluminium guide trough system
- Special geometry combined with autoglide crossbars enables offsetting of the upper and lower runs
- Robust mounting bracket for long service life
- Corrosion-resistant

Less friction, twice the service life - the new generation P4.1 system

- Twice the service life due to tribo-optimised iglidur® bearings
- Predictive maintenance with optional intelligent service life monitoring
 - Travel distance up to 800m and speed higher than 5m/s
- More information ► www.igus.eu/P4-1



- Targeted maintenance and smart monitoring with P4.1 - New**
- Online status and service life monitoring worldwide with the optional EC.I "smart wear measurement"
 - Targeted planning of maintenance and servicing
 - Optional module, can also be retrofitted
 - Combination of igus® lab data and anonymised customer data
 - Use of advanced machine learning strategies
- More information ► www.igus.eu/P4-1



Technical data

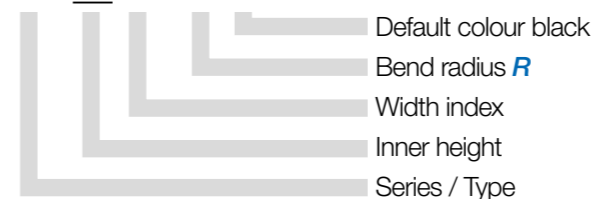
	Speed gliding	≤ 10 [m/s]
	Acceleration gliding	≤ 50 [m/s ²]
	Material - permitted temperature °C, igumid G	-40°C / +120°C
	Flammability class, igumid G	VDE 0304 IIC UL94-HB

Order example | Order key

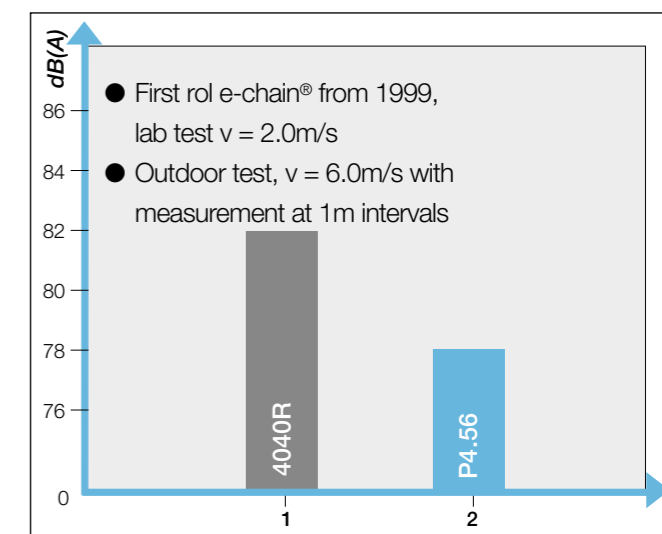
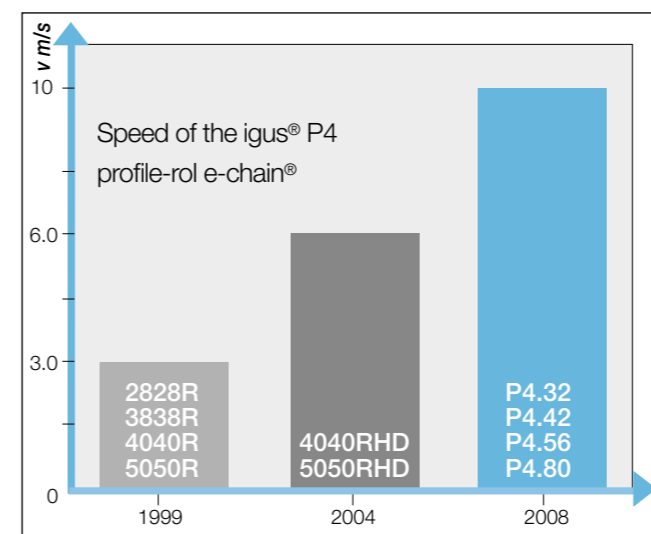
Order example for complete e-chain® (1.0m), colour black, with mounting brackets and interior separation:

e-chain® (1.0m)	Please indicate e-chain® length or number of links: 1.0m or 11 links	P4.56.30.300.0
+ Mounting brackets	1 full set, steel	P4.56100.54.VS.E45
Interior separation	with 2 separators assembled every 2 nd link	2 x 56.1.1
Order text:	1 m P4.56.30.300.0 + P4.56100.54.VS.E45 + 2 x 56.1.1	

Order key
P4.56.30.300.0



System P4 | profile-rol e-chain® Tests





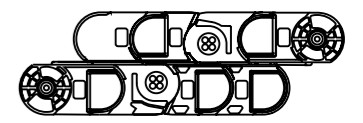
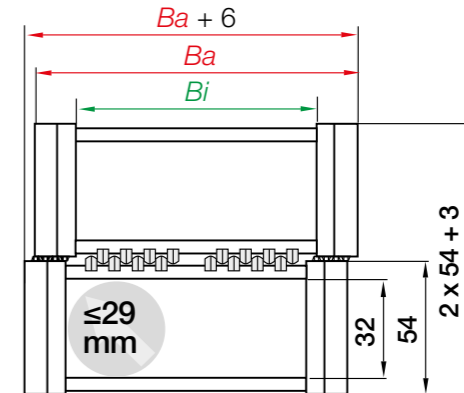
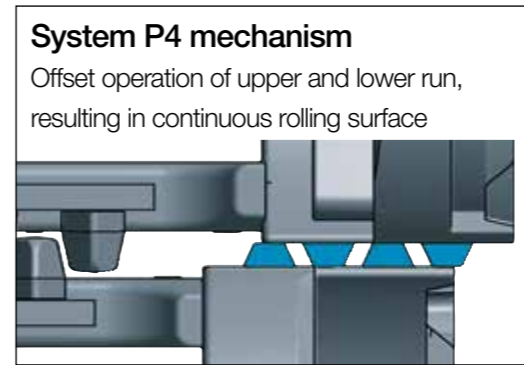
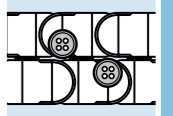
P4.32

e-chains® | Series P4.32 | Crossbar every link (crossbars removable along the inner and outer radius)

Part No.	<i>Bi</i>	<i>Ba</i>	<i>R</i> Available bend radii	P4.32
e-chains®	[mm]	[mm]	[mm]	[kg/m]
P4.32.10.R.0	100	132	075* 100* 125* 150 200 250 300*	≈ 2.71
P4.32.15.R.0	150	182	075* 100* 125* 150 200 250 300*	≈ 3.04
P4.32.20.R.0	200	232	075* 100* 125* 150 200 250 300*	≈ 3.34
P4.32.25.R.0	250	282	075* 100* 125* 150 200 250 300*	≈ 3.66

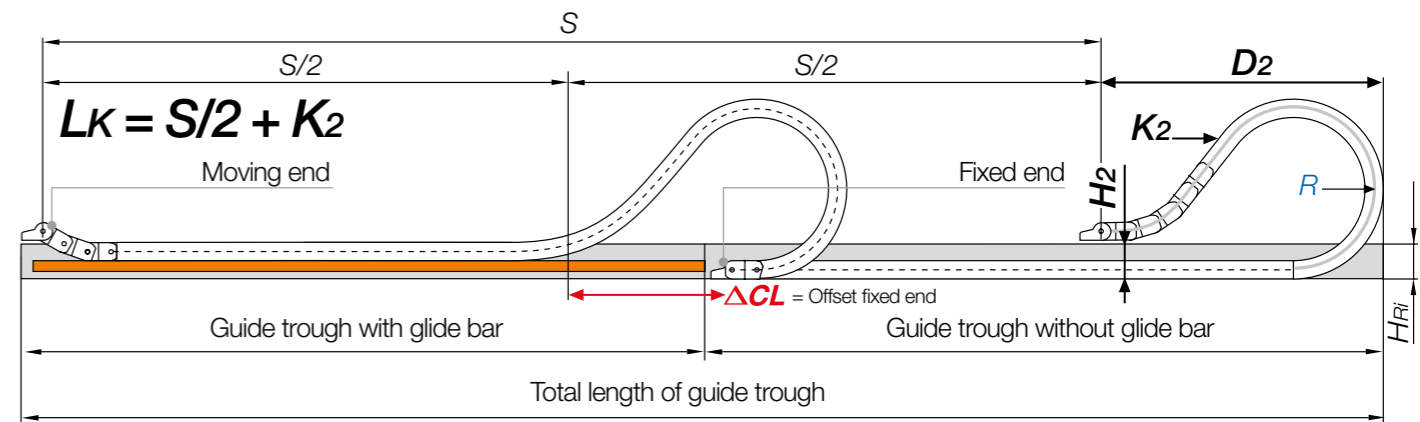
*Radius available upon request. Please consult igus® for delivery time.

Complete Part No. with required radius (*R*). Example: P4.32.15.150.0



Inner height [mm]	32
Pitch [mm/link]	56
Links/m	18
corresponds to [mm]	1,008
e-chain® length $L_K = S/2 + K$	

Rolling applications | Long travels up to max. 500m | Fill weight 6.0kg/m



Note: We recommend the project planning of such a system to be carried out by igus®. In case of travels under 10m we recommend an unsupported e-chain®.

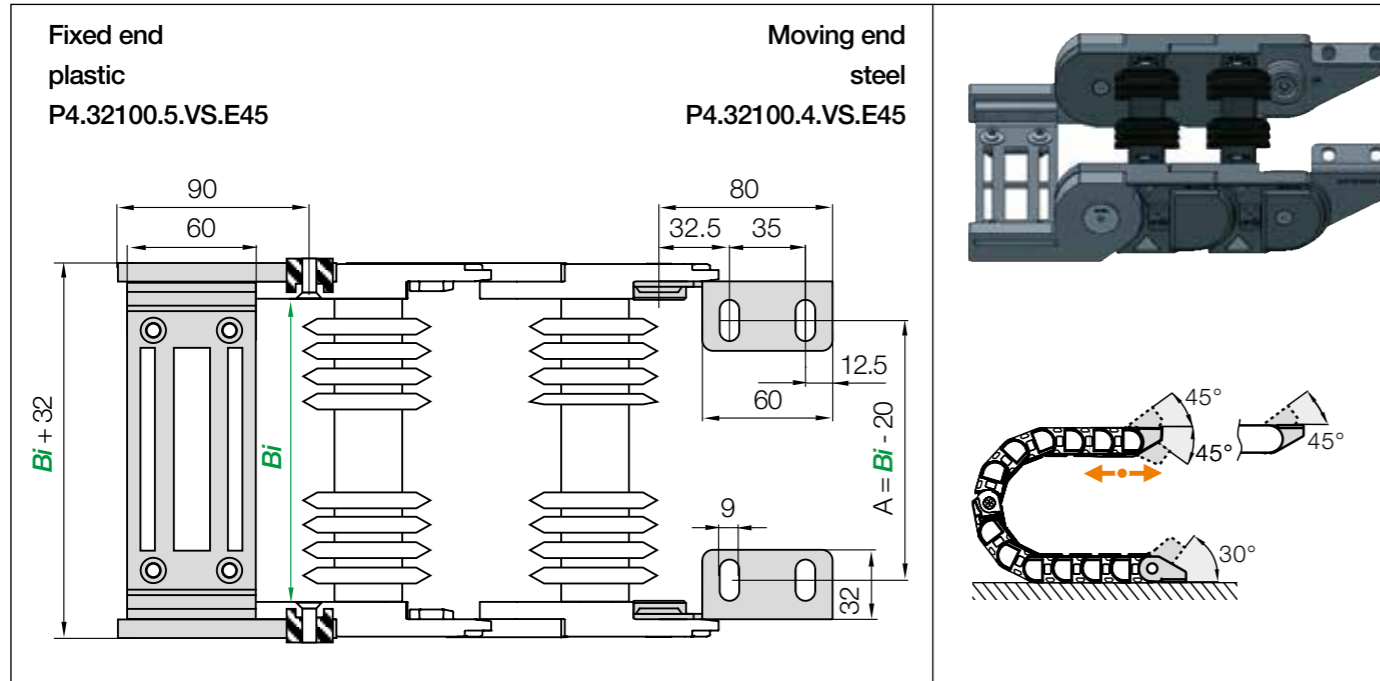
<i>R</i>	075*	100*	125*	150	200	250	300*
<i>H</i> ₂	125	125	125	125	125	125	125
<i>D</i> ₂	425	500	635	760	1,015	1,400	1,625
<i>K</i> ₂	728	840	1,064	1,232	1,624	2,072	2,464
ΔCL	100	150	263	376	596	835	1,054

*Radius available upon request. Please consult igus® for delivery time.

System P4 - aluminium guide trough system

- Special geometry combined with autoglide crossbars enables offsetting of the upper and lower runs
 - Robust mounting bracket for long service life
 - Aluminium trough segments, corrosion-resistant
- More information ► Page 1122





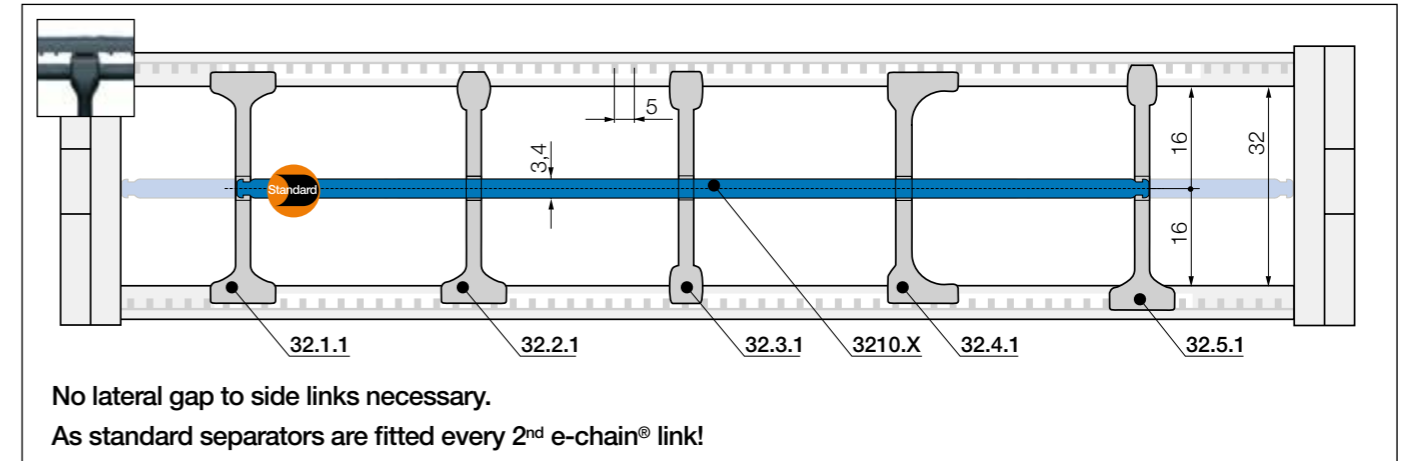
Mounting brackets pivoting | Recommended for rolling applications on long travels

Width index	Part No. full set for fixed end / moving end	A [mm]	Bi [mm]
10. ▶	P4.32100.54.10.VS.E45	80	100
15. ▶	P4.32100.54.15.VS.E45	130	150
20. ▶	P4.32100.54.20.VS.E45	180	200
25. ▶	P4.32100.54.25.VS.E45	230	250

Note: The mounting brackets for P4 e-chains® consist of a steel mounting bracket at the moving end and a polymer mounting bracket at the fixed end. This ensures that the rollers move over a plain surface at the fixed end. There is a fixed end module integrated that can be clamped directly into the trough without drilling any holes. No additional holes have to be drilled.

Strain relief e.g. clamps, tiwrap plates, nuggets and plug-in clips are available from stock. The complete chainfix range with ordering options ▶ From page 1300

More interior separation options ▶ next page



		Standard separator, wide base unassembled 32.1 assembled 32.1.1
--	--	--

Standard - for any application
Separator with a wide base for maximum holding force in the e-chain®.

		Separator, narrow top unassembled 32.2 assembled 32.2.1
--	--	--

For even faster installation
Wide on one side for high holding force, narrow on opposite side for easy cable fitting.

		Separator, narrow unassembled 32.3 assembled 32.3.1
--	--	--

For small cables
Separator with a narrow base for a large number of small cables side by side. Saves space in the e-chain®. Also available for QuickLock crossbars.

		Separator, asymmetrical unassembled 32.4 assembled 32.4.1
--	--	--

For side-mounted applications
Asymmetrical separator, for defined gap distance. No additional spacers required.

		Notch separator for notched crossbar unassembled 32.5 assembled 32.5.1
--	--	---

Locks securely in preset increments
Notch separator for exact positioning in e-chains®. Recommended for side-mounted applications.

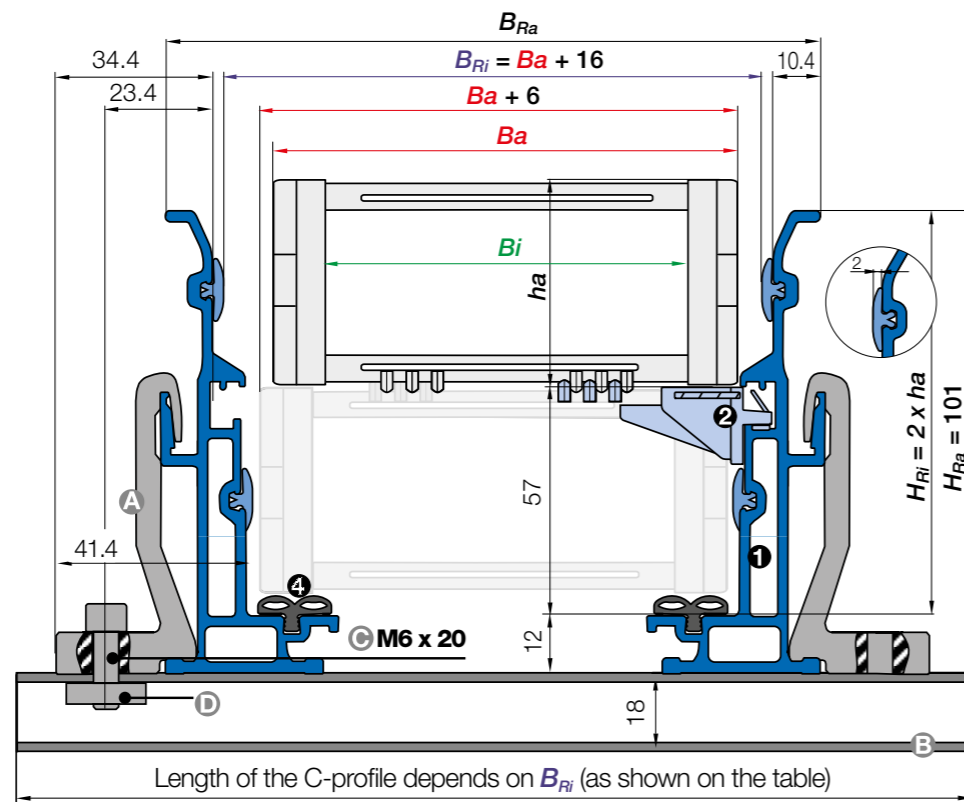
		Shelf, lockable unassembled 3200.X assembled 3210.X
--	--	--

Horizontal separation
Full-width shelf locks securely into separators at both ends, giving a fixed width. Can be used as full-width or partial shelf.

Shelves Width = X [mm]	X [mm]	unassembled		assembled		X [mm]	unassembled		assembled	
		part no.	part no.	part no.	part no.		part no.	part no.		
	050	3200.050	3210.050	125	3200.125	3210.125	225	3200.225	3210.225	
	075	3200.075	3210.075	150	3200.150	3210.150	250	3200.250	3210.250	
	100	3200.100	3210.100	175	3200.175	3210.175				
	115	3200.115	3210.115	200	3200.200	3210.200				

Part No. installation set with C-profile

Width index	B_{Ri} [mm]	Part No. installation set
.10	148	971.50.250
.15	198	971.50.300
.20	248	971.50.350
.25	298	971.50.400



- **Trough set:** ① Trough side parts, aluminium, 2m ② Glide bar, plastic, 2m ③ Glide strips, plastic, 2m (without glide strips upon request) ④ Optional: rubber silencer profile
- **Installation set:** ⑤ Bottom clamp, aluminium ⑥ C-profile, galvanised steel, length
- ▶ Table ⑦ Allen wrench M6 x 20 ⑧ Glide nut M6

Order example: length of travel 30m - centre fixed for series P4.32.10.150.0 with $B_{Ri} = 148$

Guide trough set (set of 2 trough side parts, incl. glide strips) **without** glide bars **P972.30.SL**

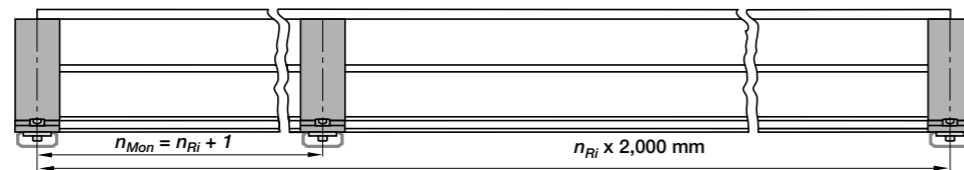
Order text: 16m guide trough without glide bar (8 x 2m sections)

Guide trough set (set of 2 trough side parts, incl. glide strips) **with** glide bar **P972.31.Bi.SL**

Order text: 16m guide trough with glide bar (8 x 2m sections)

Installation set complete (quantity: guide trough sets + 1) **971.50.250**

Order text: 17 installation sets
Option: for an additional noise dampening with **silencer profile**, please add Index A **P972.30.SL.A**



Principle sketch: number of installation sets to be installed = number of trough sections + 1

- Trough set
- Installation set
- Glide bar
- C-profile
- B_a = e-chain® outer width
- B_i = e-chain® inner width
- B_{Ri} = Trough inner width
- B_{Ra} = Trough outer width
- H_{Ri} = Trough inner height
- H_{Ra} = Trough outer height
- n_{Mon} = Number of installation sets
- n_{Ri} = Number of trough sets



igus® P4 roller chain® in matching aluminium guide trough. High speeds, longest travels, smooth running - giving longest lifetime

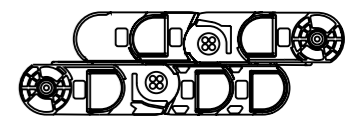
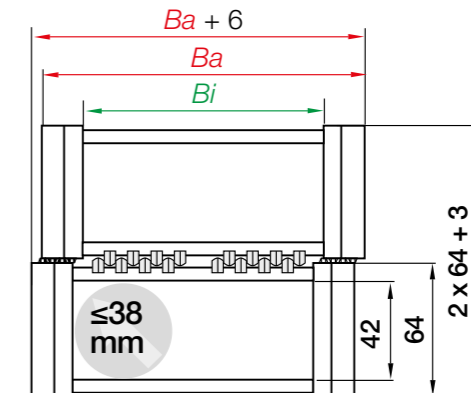
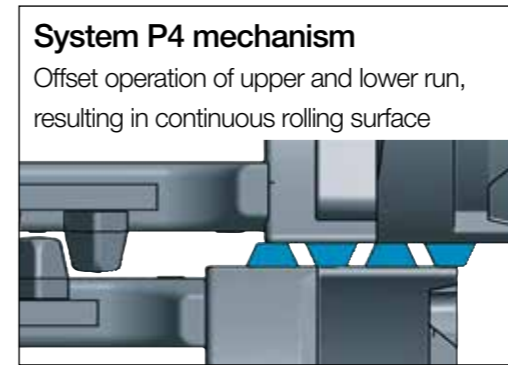
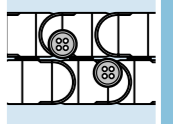


P4.42

e-chains® | Series P4.42 | Crossbars every link (crossbars removable along the inner and outer radius)

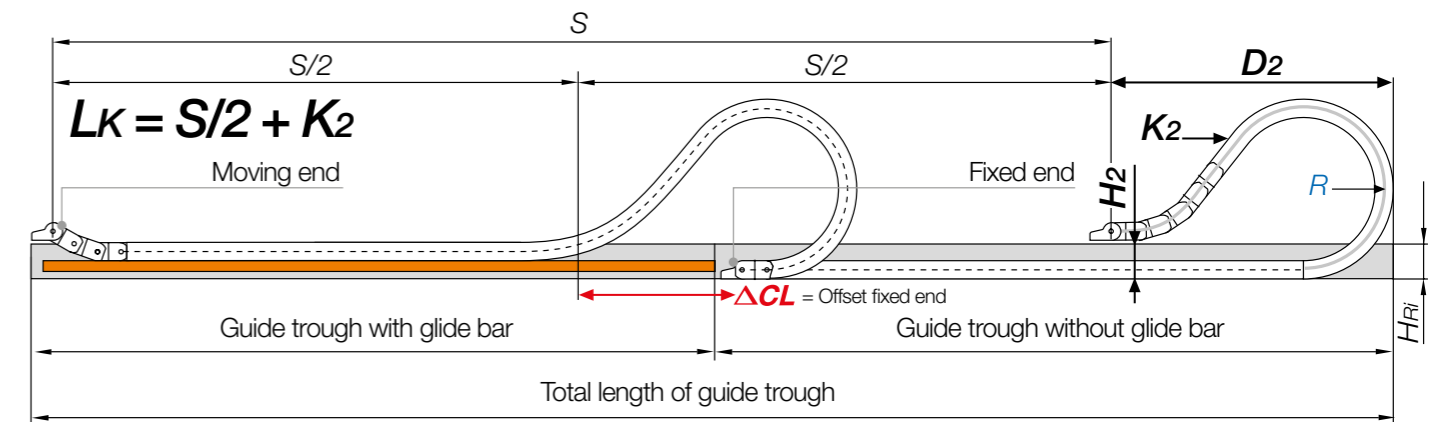
Part No.	<i>Bi</i>	<i>Ba</i>	<i>R</i> Available bend radii	P4.42
e-chains®	[mm]	[mm]	[mm]	[kg/m]
P4.42.10.R.0	100	154	100 125 150 200 250 300 350	≈ 3.95
P4.42.15.R.0	150	202	100 125 150 200 250 300 350	≈ 4.22
P4.42.20.R.0	200	254	100 125 150 200 250 300 350	≈ 4.47

Complete Part No. with required radius (*R*). Example: P4.42.15.150.0



Inner height [mm]	42
Pitch [mm/link]	67
Links/m	15
corresponds to [mm]	1,005
e-chain® length	$L_K = \frac{S}{2} + K$

Rolling applications | Long travels up to max. 600m | Fill weight 7.0kg/m



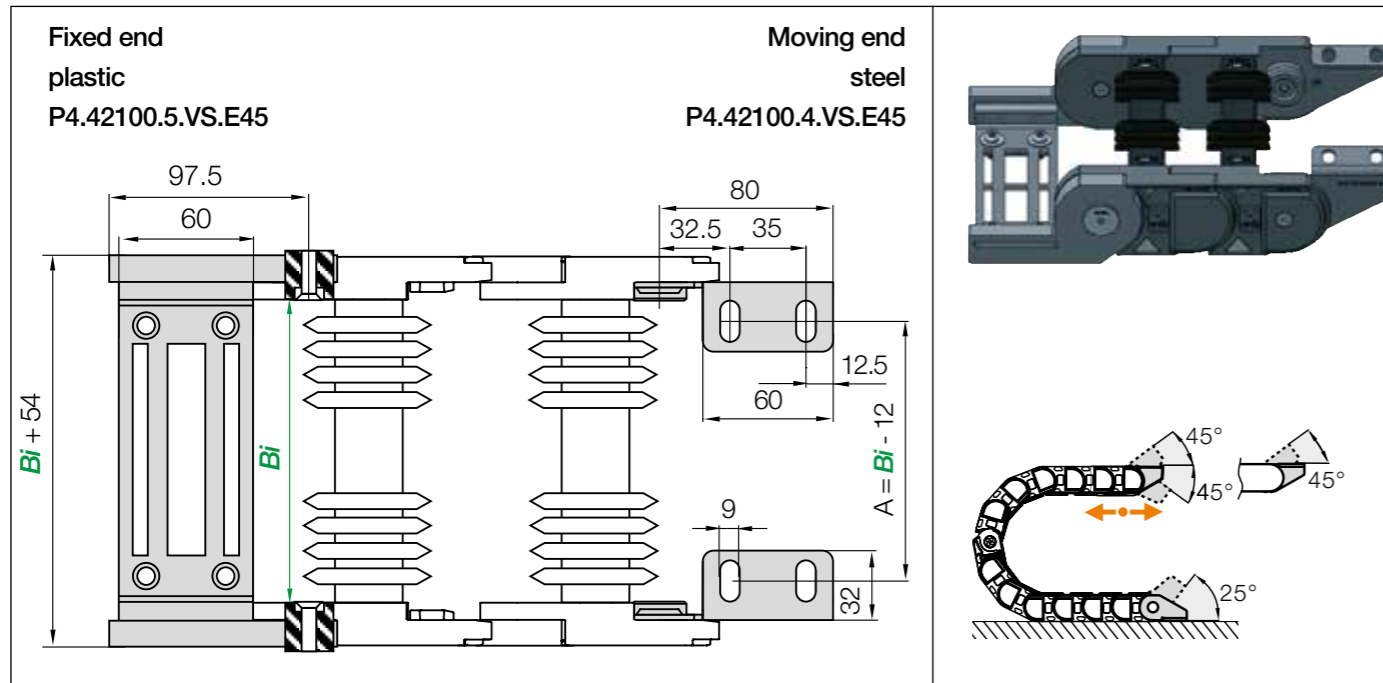
Note: We recommend the project planning of such a system to be carried out by igus®. In case of travels under 10m we recommend an unsupported e-chain®.

<i>R</i>	100	125	150	200	250	300	350
<i>H</i> ₂	140	140	140	140	140	140	140
<i>D</i> ₂	520	785	940	1,280	1,620	1,960	2,265
<i>K</i> ₂	930	1,206	1,407	1,876	2,345	2,814	3,216
ΔCL	195	335	470	765	1045	1,330	1,615

System P4 - aluminium guide trough system

- Special geometry combined with autoglide crossbars enables offsetting of the upper and lower runs
 - Robust mounting bracket for long service life
 - Aluminium trough segments, corrosion-resistant
- More information ► Page 1129





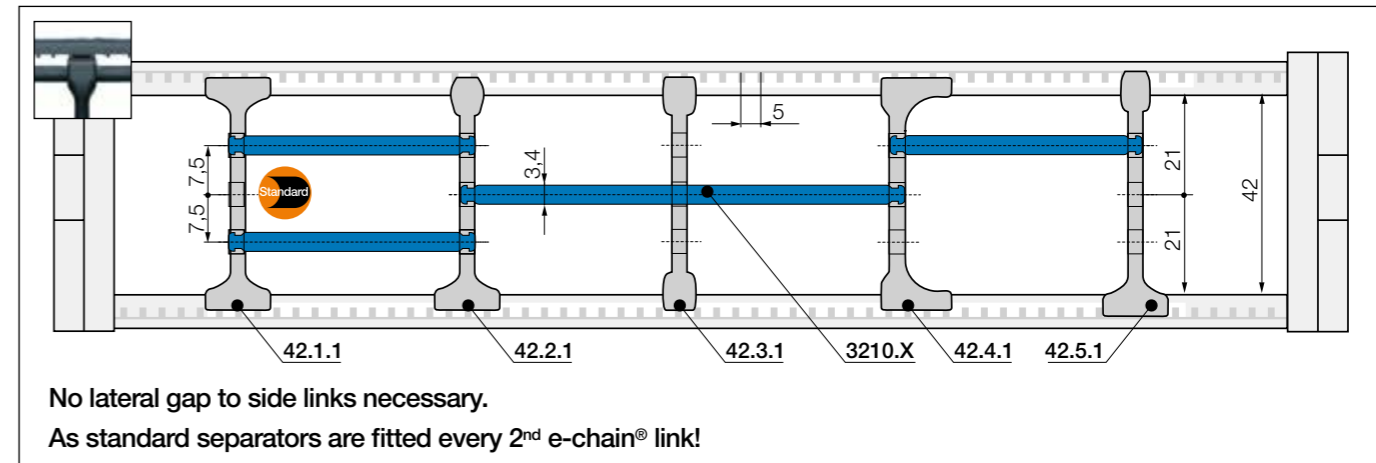
Mounting brackets pivoting | Recommended for rolling applications on long travels

Width index	Part No. full set for fixed end / moving end	A [mm]	Bi [mm]
10. ▶	P4.42100.54.10.VS.E45	80	100
15. ▶	P4.42100.54.15.VS.E45	130	150
20. ▶	P4.42100.54.20.VS.E45	180	200

Note: The mounting brackets for P4 e-chains® consist of a steel mounting bracket at the moving end and a polymer mounting bracket at the fixed end. This ensures that the rollers move over a plain surface at the fixed end. There is a fixed end module integrated that can be clamped directly into the trough without drilling any holes. No additional holes have to be drilled.

Strain relief e.g. clamps, tiwrap plates, nuggets and plug-in clips are available from stock. The complete chainfix range with ordering options ▶ From page 1300

More interior separation options ▶ next page



		Standard separator, wide base unassembled 42.1 assembled 42.1.1
		Separator, narrow top unassembled 42.2 assembled 42.2.1
		Separator, narrow unassembled 42.3 assembled 42.3.1
		Separator, asymmetrical unassembled 42.4 assembled 42.4.1
		Notch separator for notched crossbar unassembled 42.5 assembled 42.5.1
		Shelf, lockable unassembled 3200.X assembled 3210.X

Standard - for any application

Separator with a wide base for maximum holding force in the e-chain®.

For even faster installation

Wide on one side for high holding force, narrow on opposite side for easy cable fitting.

For small cables

Separator with a narrow base for a large number of small cables side by side. Saves space in the e-chain®. Also available for QuickLock crossbars.

For side-mounted applications

Asymmetrical separator, for defined gap distance. No additional spacers required.

Locks securely in preset increments

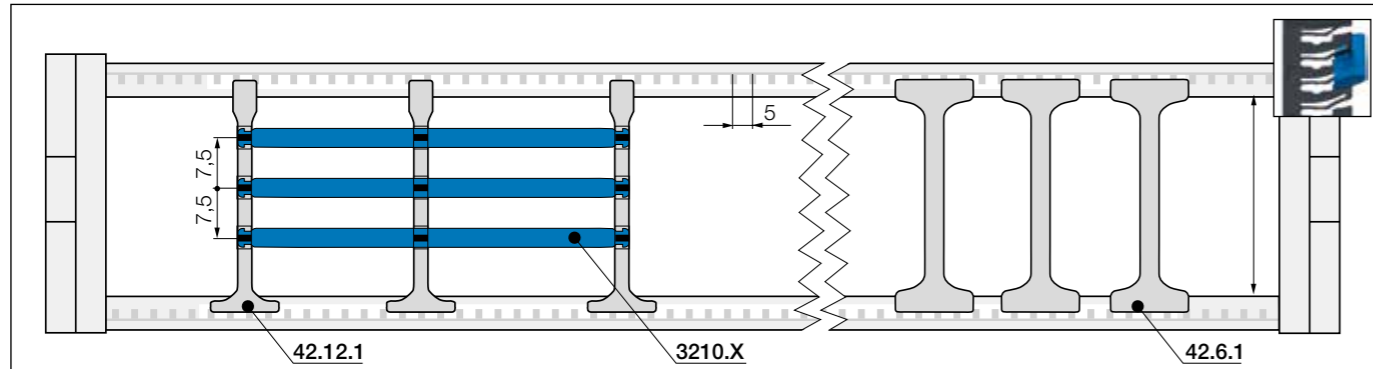
Notch separator for exact positioning in e-chains®. Recommended for side-mounted applications.

Horizontal separation

Full-width shelf locks securely into separators at both ends, giving a fixed width. Can be used as full-width or partial shelf.

Shelves Width = X [mm]	X [mm]			X [mm]			X [mm]		
	unassembled	assembled		unassembled	assembled		unassembled	assembled	
050	3200.050	3210.050		125	3200.125	3210.125	225	3200.225	3210.225
075	3200.075	3210.075		150	3200.150	3210.150	250	3200.250	3210.250
100	3200.100	3210.100		175	3200.175	3210.175			
115	3200.115	3210.115		200	3200.200	3210.200			





No lateral gap to side links necessary.
As standard separators are fitted every 2nd e-chain® link!

Lean separator	
unassembled	42.12
assembled	42.12.1

Lean separators New

New design allows extremely fast fitting of shelves in several layers, which significantly reduces assembly time. Enables extremely fast replacement of individual cables in a very full e-chain®.



Lean separator design - several layers of cables fitted quickly, save up to 50%* assembly time

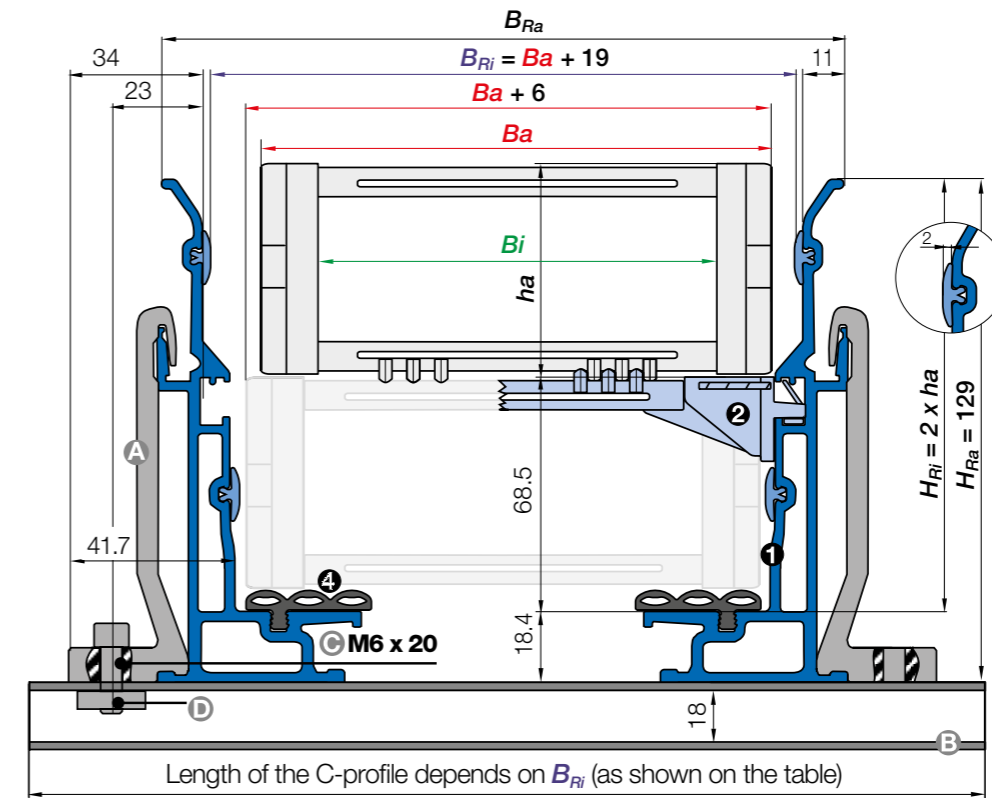
(*Lean separator vs. standard separator - measured on a 4m long e-chain® fitted with 12 cables in the igus® readychain® factory)

More interior separation options

Notch locking separator	
unassembled	42.6
assembled	42.6.1

Notch locking separator for increased holding force

Notch locking separators offer higher crossbar opening forces for high humidity and/or large hydraulic hoses. They can be positioned precisely and then locked in position.



Part No. installation set with C-profile

Width index	B _{Ri} [mm]	Part No. installation set
.10	173	972.50.300
.15	221	972.50.350
.20	273	972.50.400

- **Trough set:** ① Trough side parts, aluminium, 2m ② Glide bar, plastic, 2m ③ Glide strips, plastic, 2m (without glide strips upon request) ④ Optional: rubber silencer profile
- **Installation set:** A Bottom clamp, aluminium B C-profile, galvanised steel, length
- ▶ Table C Allen wrench M6 x 20 D Glide nut M6

Order example: length of travel 30m - centre fixed for series P4.42.10.100.0 with B_{Ri} = 173

Guide trough set (set of 2 trough side parts, incl. glide strips) **without** glide bars P973.30.SL

Order text: 16m guide trough without glide bar (8 x 2m sections)

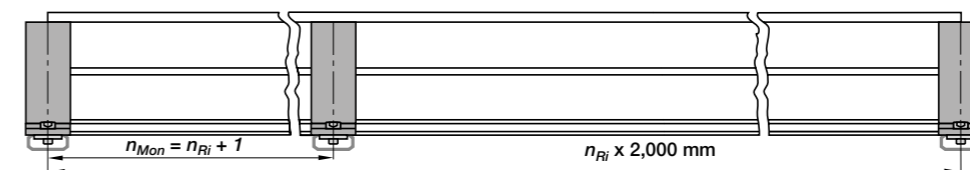
Guide trough set (set of 2 trough side parts, incl. glide strips) **with** glide bar P973.31.Bi.SL

Order text: 16m guide trough with glide bar (8 x 2m sections)

Installation set complete (quantity: guide trough sets + 1) 972.50.300

Order text: 17 installation sets

Option: for an additional noise dampening with silencer profile, please add Index A P973.30.SL.A



Principle sketch: number of installation sets to be installed = number of trough sections + 1

- i Trough set
- Installation set
- Glide bar
- C-profile
- Ba = e-chain® outer width
- Bi = e-chain® inner width
- B_{Ri} = Trough inner width
- B_{Ra} = Trough outer width
- H_{Ri} = Trough inner height
- H_{Ra} = Trough outer height
- n_{Mon} = Number of installation sets
- n_{Ri} = Number of trough sets



P4.56

e-chains® | Series P4.56 | Crossbars every link (crossbars removable along the inner and outer radius)

Part No.	Bi	Ba	R Available bend radii	P4.56
e-chains®	[mm]	[mm]	[mm]	[kg/m]
P4.56.18.R.0	187	257	150* 200 250 300 350 400* 450* 500*	≈ 6.72
P4.56.20.R.0	200	270	150* 200 250 300 350 400* 450* 500*	≈ 7.03
P4.56.25.R.0	250	320	150* 200 250 300 350 400* 450* 500*	≈ 7.39
P4.56.30.R.0	300	370	150* 200 250 300 350 400* 450* 500*	≈ 7.79
P4.56.35.R.0	350	420	150* 200 250 300 350 400* 450* 500*	≈ 8.19
P4.56.40.R.0	400	470	150* 200 250 300 350 400* 450* 500*	≈ 8.49

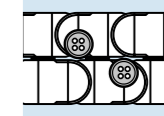
*Radius available upon request. Please consult igus® for delivery time.

Complete Part No. with required radius (R). Example: P4.56.20.250.0

Extension link for heavy fill weights

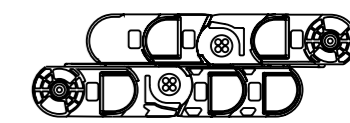
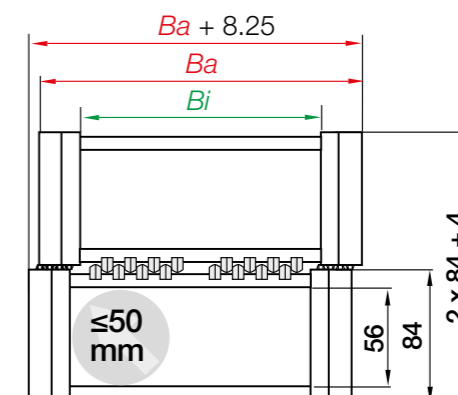
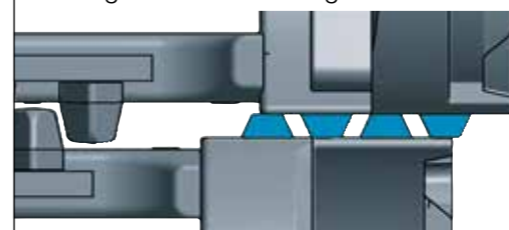
- 50% higher fill weight possible
- High rigidity
- Divides the e-chain® cross section into compartments (electric/hydraulic)
- 2 inner heights (56, 80mm) available upon request

More information ► www.igus.eu/P4



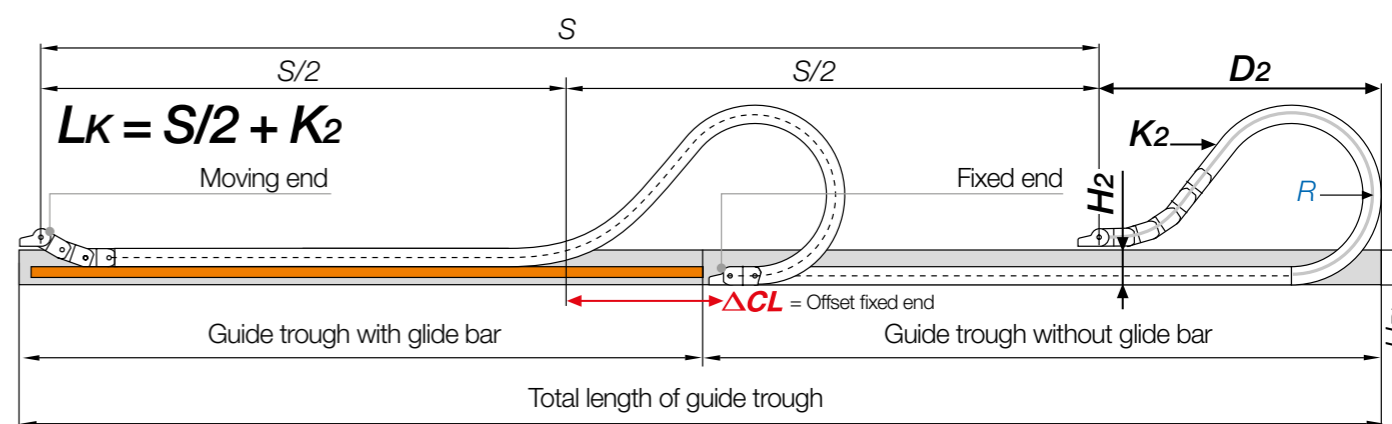
System P4 mechanism

Offset operation of upper and lower run, resulting in continuous rolling surface



Inner height [mm]	56
Pitch [mm/link]	91
Links/m	11
corresponds to [mm]	1,001
e-chain® length $L_K = S/2 + K$	

Rolling applications | Long travels up to max. 800m | Fill weight 13kg/m



Note: We recommend the project planning of such a system to be carried out by igus®.

In case of travels under 10m we recommend an unsupported e-chain®.

R	150*	200	250	300	350	400*	450*	500*
H ₂	**	180	180	180	180	180	**	**
D ₂	**	1,140	1,470	1,700	1,950	2,255	**	**
K ₂	**	1,820	2,275	2,639	3,003	3,458	**	**
ΔCL	**	550	800	1,000	1,200	1,450	**	**

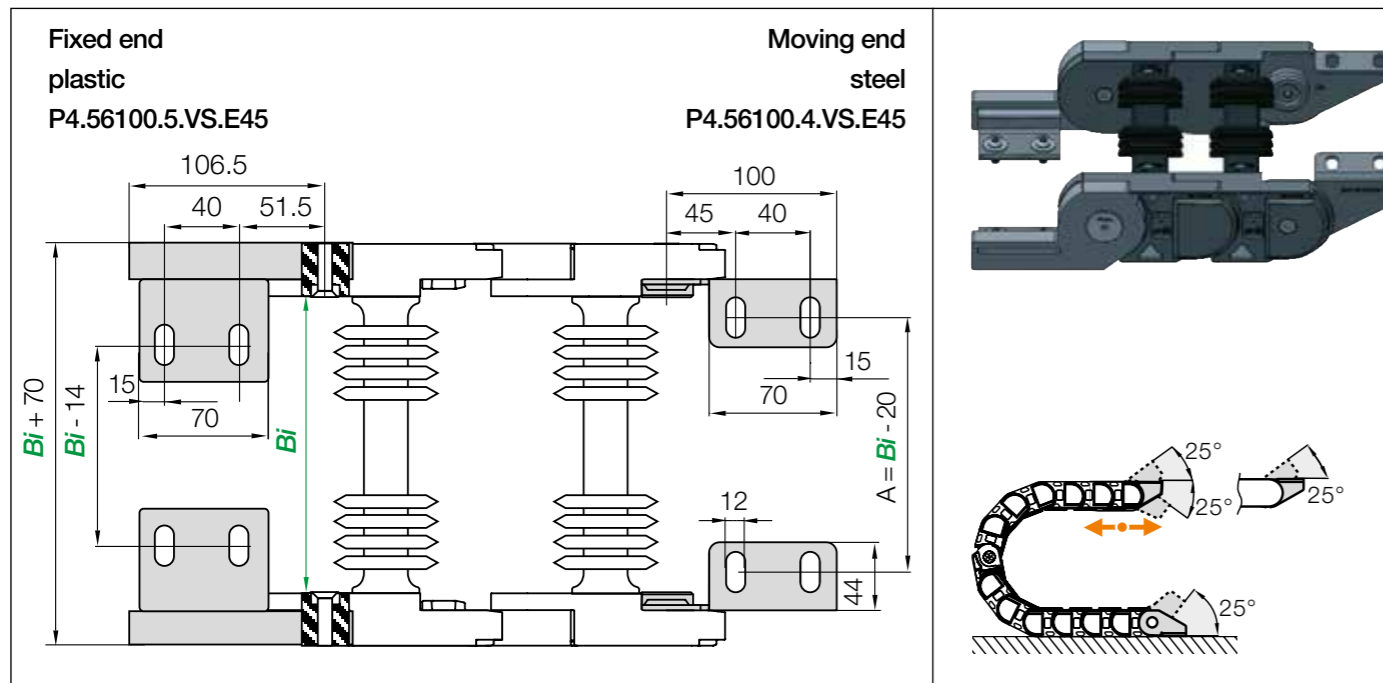
*Radius available upon request. *Radius available upon request, please consult igus® for delivery time. **Values upon request

System P4 - aluminium guide trough system

- Special geometry combined with autoglide crossbars enables offsetting of the upper and lower runs
 - Robust mounting bracket for long service life
 - Aluminium trough segments, corrosion-resistant
- More information ► Page 1135



New



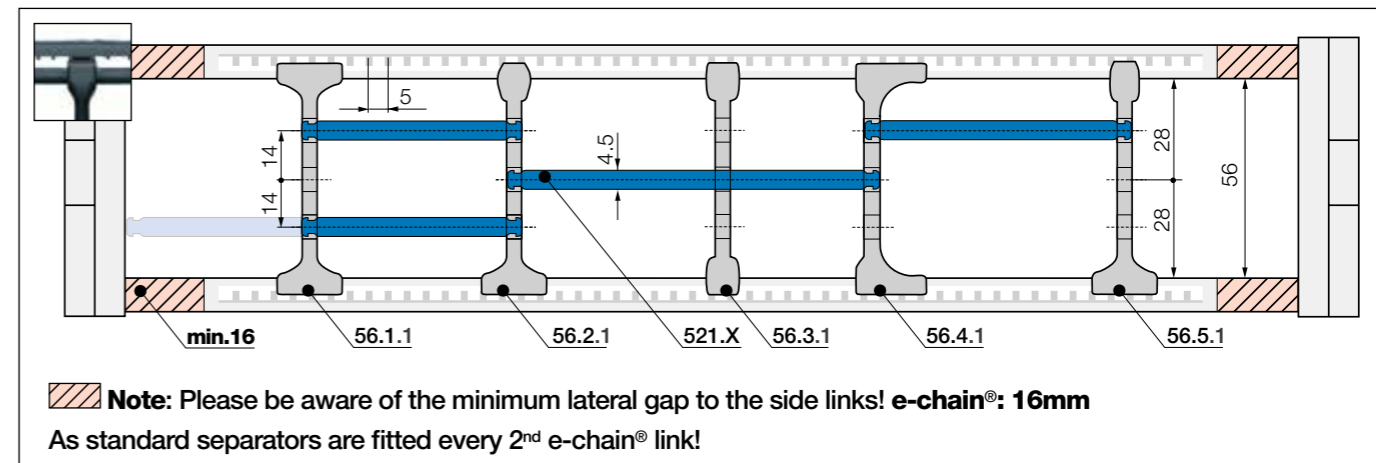
Mounting brackets pivoting | Recommended for rolling applications on long travels

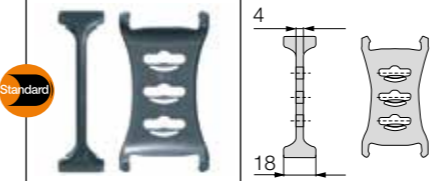
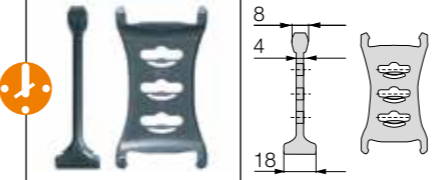
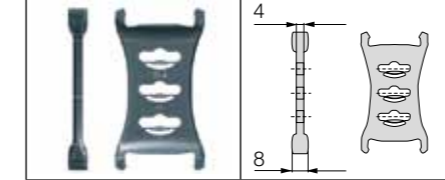
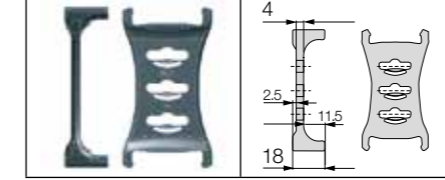
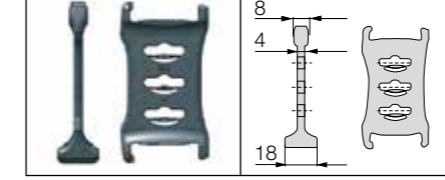
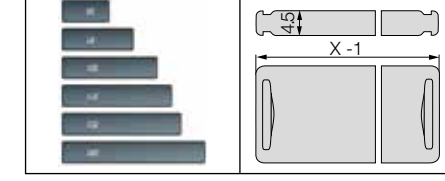
Width index	Part No. full set for fixed end / moving end	A [mm]	Bi [mm]
18. ▶	P4.56100.54.VS.E45	160	180
20. ▶	P4.56100.54.VS.E45	180	200
25. ▶	P4.56100.54.VS.E45	230	250
30. ▶	P4.56100.54.VS.E45	280	300
35. ▶	P4.56100.54.VS.E45	330	350
40. ▶	P4.56100.54.VS.E45	380	400

Note: The mounting brackets for P4 e-chains® consist of a steel mounting bracket at the moving end and a polymer mounting bracket at the fixed end. This ensures that the rollers move over a plain surface at the fixed end. There is a fixed end module integrated that can be clamped directly into the trough without drilling any holes. No additional holes have to be drilled.

 **Strain relief** e.g. clamps, tiwrap plates, nuggets and plug-in clips are available from stock. The complete chainfix range with ordering options ▶ From page 1300

More interior separation options ▶ next page



	Standard separator, wide base unassembled 56.1 assembled 56.1.1
	Separator, narrow top unassembled 56.2 assembled 56.2.1
	Separator, narrow unassembled 56.3 assembled 56.3.1
	Separator, asymmetrical unassembled 56.4 assembled 56.4.1
	Notch separator for notched crossbar unassembled 56.5 assembled 56.5.1
	Shelf, lockable unassembled 520.X assembled 521.X

Standard - for any application

Separator with a wide base for maximum holding force in the e-chain®.

For even faster installation

Wide on one side for high holding force, narrow on opposite side for easy cable fitting.

For small cables

Separator with a narrow base for a large number of small cables side by side. Saves space in the e-chain®.

For side-mounted applications

Asymmetrical separator, for defined gap distance. No additional spacers required.

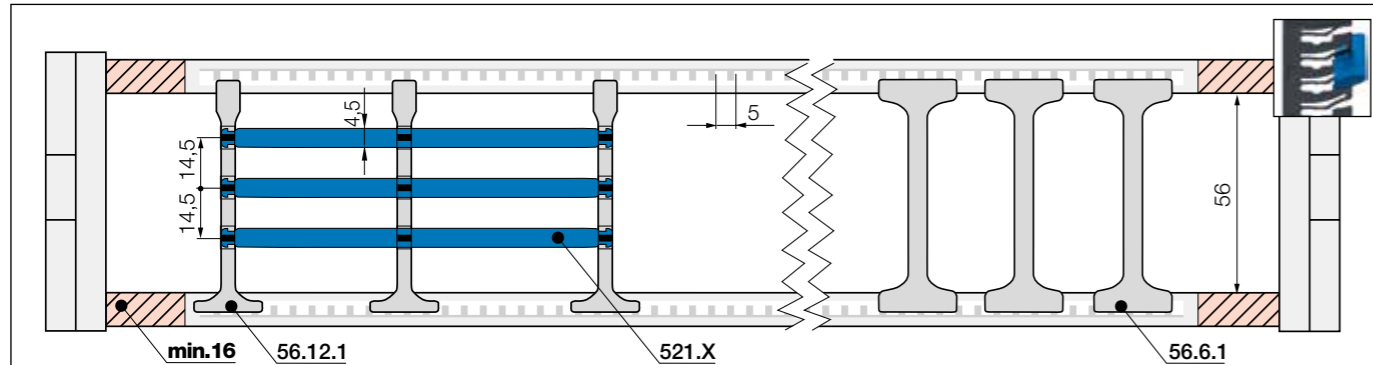
Locks securely in preset increments

Notch separator for exact positioning in e-chains®. Recommended for side-mounted applications.

Horizontal separation

Full-width shelf locks securely into separators at both ends, giving a fixed width. Can be used as full-width or partial shelf.

Shelves Width = X [mm]	X [mm]		X [mm]		X [mm]			
	unassembled	assembled	unassembled	assembled	unassembled	assembled		
050	520.050	521.050	150	520.150	521.150	300	520.300	521.300
065	520.065	521.065	175	520.175	521.175	350	520.350	521.350
075	520.075	521.075	200	520.200	521.200	375	520.375	520.375
100	520.100	521.100	225	520.225	521.225	387	520.387	520.387
125	520.125	521.125	250	520.250	521.250	450	520.450	521.450



Note: Please be aware of the minimum lateral gap to the side links! **e-chain®: 16mm**
As standard separators are fitted every 2nd e-chain® link!

Lean separator	
unassembled	56.12
assembled	56.12.1

Lean separators New

New design allows extremely fast fitting of shelves in several layers, which significantly reduces assembly time. Enables extremely fast replacement of individual cables in a very full e-chain®.



Lean separator design - several layers of cables fitted quickly, save up to 50%* assembly time

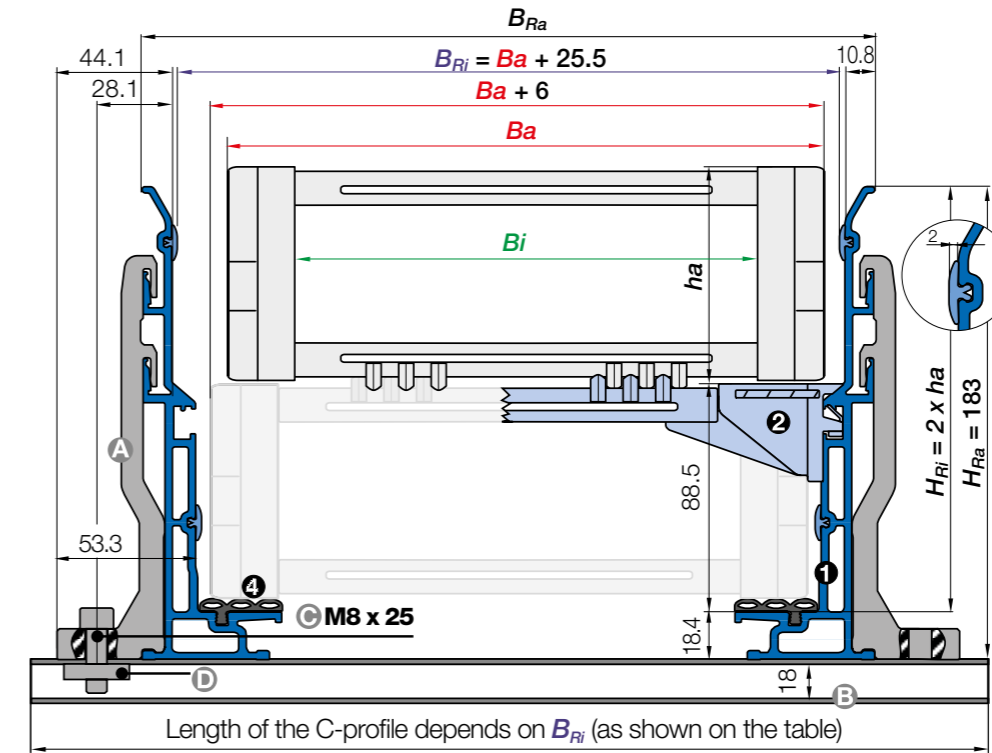
(*Lean separator vs. standard separator - measured on a 4m long e-chain® fitted with 12 cables in the igus® readychain® factory)

More interior separation options

Notch locking separator	
unassembled	56.6
assembled	56.6.1

Notch locking separator for increased holding force

Notch locking separators offer higher crossbar opening forces for high humidity and/or large hydraulic hoses. They can be positioned precisely and then locked in position.



Part No. installation set with C-profile

Width index	B_{Ri} [mm]	Part No. installation set
.18	282.5	974.50.425
.20	295.5	974.50.425
.25	345.5	974.50.475
.30	395.5	974.50.525
.35	445.5	974.50.575
.40	495.5	974.50.625

- **Trough set:** ① Trough side parts, aluminium, 2m ② Glide bar, plastic, 2m ③ Glide strips, plastic, 2m (without glide strips upon request) ④ Optional: rubber silencer profile
- **Installation set:** A Bottom clamp, aluminium B C-profile, galvanised steel, length
- Table C Allen wrench M8 x 25 D Glide nut M8

Order example: length of travel 30m - centre fixed for series P4.56.20.200.0 with $B_{Ri} = 295.5$

Guide trough set (set of 2 trough side parts, incl. glide strips) **without** glide bars P974.30.SL

Order text: 16m guide trough without glide bar (8 x 2m sections)

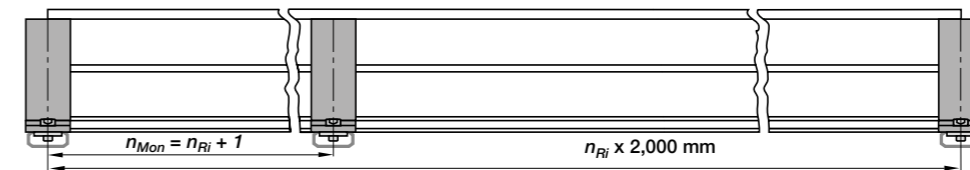
Guide trough set (set of 2 trough side parts, incl. glide strips) **with** glide bar P974.31.Bi.SL

Order text: 16m guide trough with glide bar (8 x 2m sections)

Installation set complete (quantity: guide trough sets + 1) 974.50.425

Order text: 17 installation sets

Option: for an additional noise dampening with silencer profile, please add Index A P974.30.SL.A



Principle sketch: number of installation sets to be installed = number of trough sections + 1

- i Trough set
- Installation set
- Glide bar
- C-profile
- B_a = e-chain® outer width
- B_i = e-chain® inner width
- B_{Ri} = Trough inner width
- B_{Ra} = Trough outer width
- H_{Ri} = Trough inner height
- H_{Ra} = Trough outer height
- n_{Mon} = Number of installation sets
- n_{Ri} = Number of trough sets



P4.80

e-chain® | Series P4.80 | Crossbars every link (removable along the inner and outer radius)

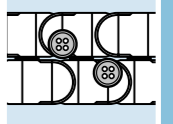
Part No. e-chains®	Bi [mm]	Ba [mm]	R Available bend radii [mm]	P4.80 [kg/m]
P4.80.18.R.0	187	263	150* 200* 250 300 350 400* 450* 500	≈ 8.85
P4.80.20.R.0	200	276	150* 200* 250 300 350 400* 450* 500	≈ 9.13
P4.80.25.R.0	250	326	150* 200* 250 300 350 400* 450* 500	≈ 9.46
P4.80.30.R.0	300	376	150* 200* 250 300 350 400* 450* 500	≈ 9.83
P4.80.35.R.0	350	426	150* 200* 250 300 350 400* 450* 500	≈ 10.19
P4.80.40.R.0	400	476	150* 200* 250 300 350 400* 450* 500	≈ 10.46

*Radius available upon request. Please consult igus® for delivery time.

Complete Part No. with required radius (R). Example: P4.80.20.250.0

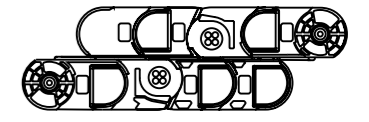
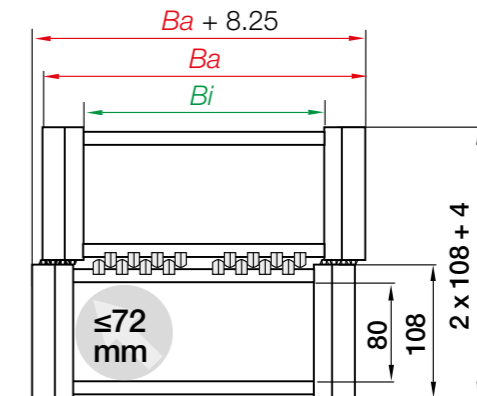
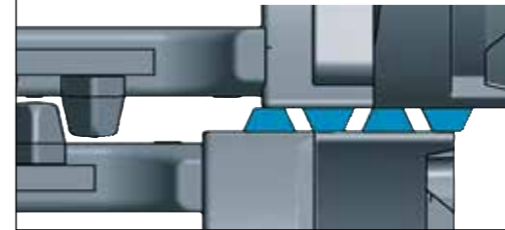
Extension link for heavy fill weights

- 50% higher fill weight possible
 - High rigidity
 - Divides the e-chain® cross section into compartments (electric/hydraulic)
 - 2 inner heights (56, 80mm) available upon request
- More information ► www.igus.eu/P4



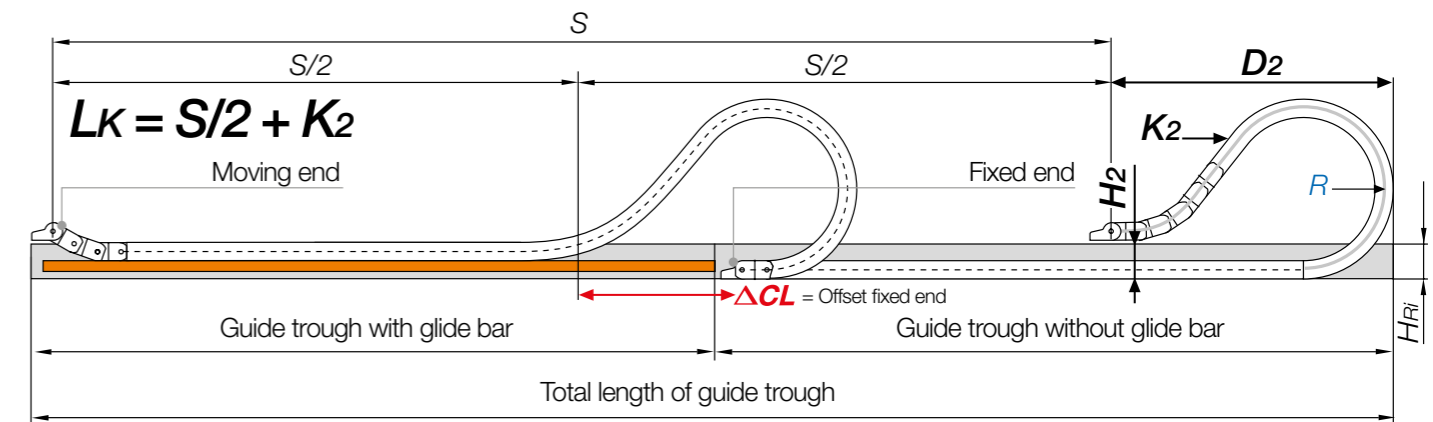
System P4 mechanism

Offset operation of upper and lower run, resulting in continuous rolling surface



Inner height [mm]	80
Pitch [mm/link]	100
Links/m	10
corresponds to [mm]	1,000
e-chain® length $L_K = S/2 + K$	

Rolling applications | Long travels up to max. 800m and more | Fill weight 30kg/m



Note: We recommend the project planning of such a system to be carried out by igus®. In case of travels under 10m we recommend an unsupported e-chain®.

R	150*	200*	250	300	350	400*	450*	500
H ₂	180	180	180	180	180	180	180	180
D ₂	955	1,310	1,610	1,974	2,060	2,625	2,910	3,275
K ₂	900	1,400	1,800	2,300	2,700	3,200	3,600	4,100
ΔCL	**	**	600	800	970	1,160	**	1,530

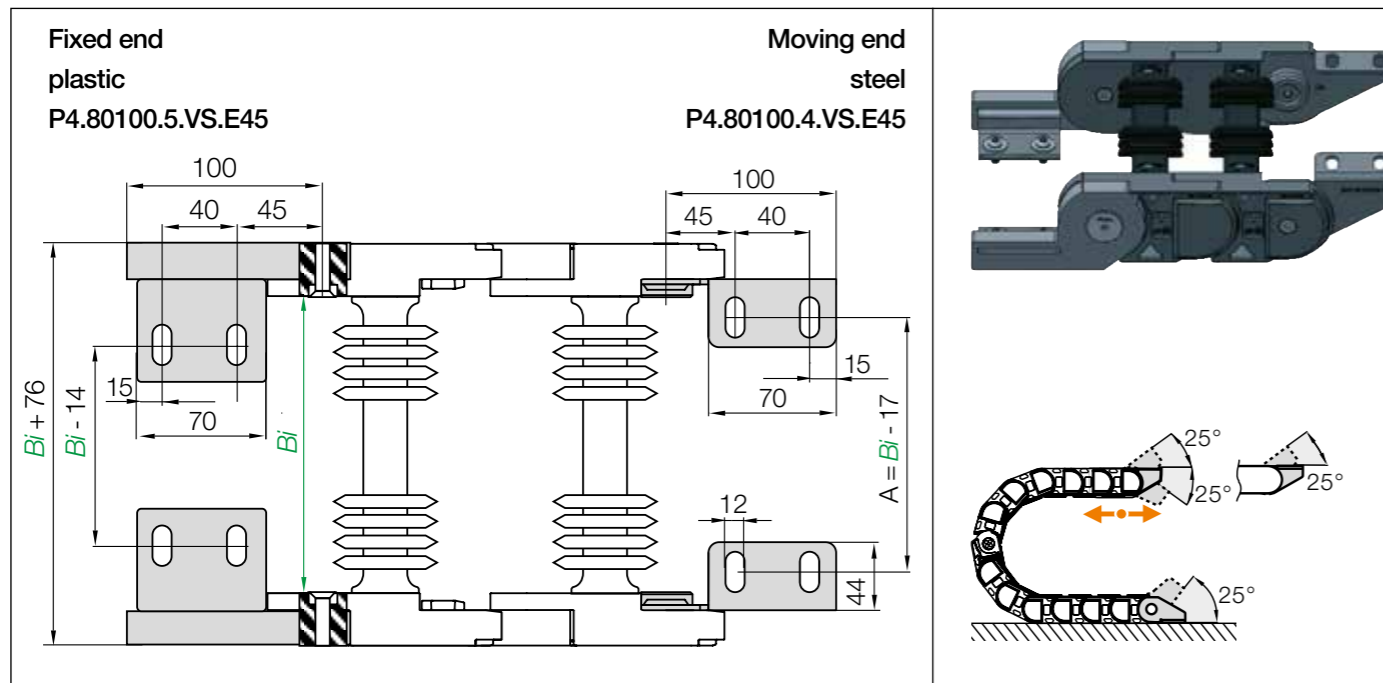
*Radius available upon request. *Radius available upon request, please consult igus® for delivery time. **Values upon request

System P4 - aluminium guide trough system

- Special geometry combined with autoglide crossbars enables offsetting of the upper and lower runs
 - Robust mounting bracket for long service life
 - Aluminium trough segments, corrosion-resistant
- More information ► Page 1141



New



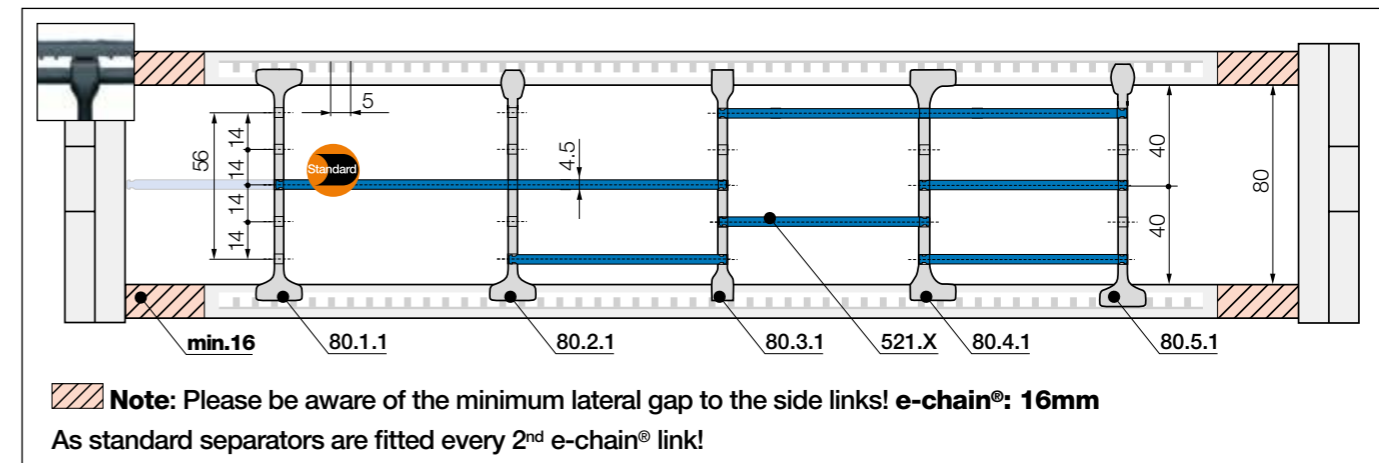
Mounting brackets pivoting | Recommended for rolling applications on long travels

Width index	Part No. full set for fixed end / moving end	A [mm]	Bi [mm]
18. ▶	P4.80100.54.VS.E45	160	180
20. ▶	P4.80100.54.VS.E45	180	200
25. ▶	P4.80100.54.VS.E45	230	250
30. ▶	P4.80100.54.VS.E45	280	300
35. ▶	P4.80100.54.VS.E45	330	350
40. ▶	P4.80100.54.VS.E45	380	400

Note: The mounting brackets for P4 e-chains® consist of a steel mounting bracket at the moving end and a polymer mounting bracket at the fixed end. This ensures that the rollers move over a plain surface at the fixed end. There is a fixed end module integrated that can be clamped directly into the trough without drilling any holes. No additional holes have to be drilled.

Strain relief e.g. clamps, tiwrap plates, nuggets and plug-in clips are available from stock. The complete chainfix range with ordering options ▶ From page 1300

More interior separation options ▶ next page



		4		Standard separator, wide base
		18		unassembled 80.1
				assembled 80.1.1

Standard - for any application
Separator with a wide base for maximum holding force in the e-chain®.

		8		Separator, narrow top
		4		unassembled 80.2
		18		assembled 80.2.1

For even faster installation
Wide on one side for high holding force, narrow on opposite side for easy cable fitting.

		4		Separator, narrow
		8		unassembled 80.3
				assembled 80.3.1

For small cables
Separator with a narrow base for a large number of small cables side by side. Saves space in the e-chain®.

		4		Separator, asymmetrical
		3.5		unassembled 80.4
		10.5		assembled 80.4.1

For side-mounted applications
Asymmetrical separator, for defined gap distance. No additional spacers required.

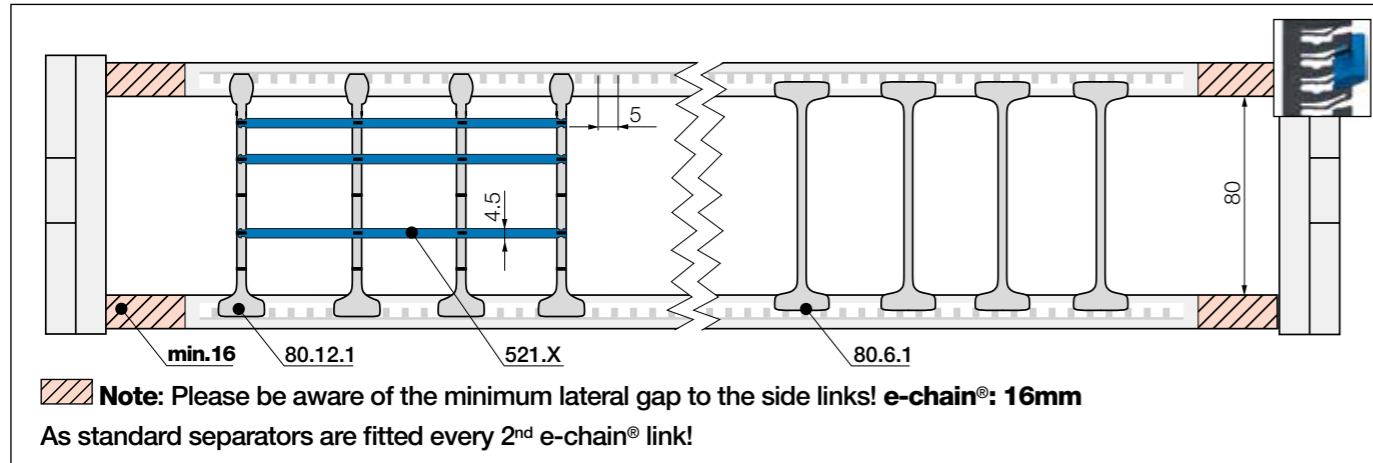
		8		Notch separator for notched crossbar
		4		unassembled 80.5
		18		assembled 80.5.1

Locks securely in preset increments
Notch separator for exact positioning in e-chains®. Recommended for side-mounted applications.

		X-1		Shelf, lockable
				unassembled 520.X
				assembled 521.X

Horizontal separation
Full-width shelf locks securely into separators at both ends, giving a fixed width. Can be used as full-width or partial shelf.

Shelves Width = X [mm]	X [mm]			X [mm]			X [mm]			
	unassembled	assembled		unassembled	assembled		unassembled	assembled		
050	520.050	521.050		150	520.150	521.150		300	520.300	521.300
065	520.065	521.065		175	520.175	521.175		350	520.350	521.350
075	520.075	521.075		200	520.200	521.200		375	520.375	521.375
100	520.100	521.100		225	520.225	521.225		387	520.387	521.387
125	520.125	521.125		250	520.250	521.250		450	520.450	521.450



Lean separator	
unassembled	80.12
assembled	80.12.1

Lean separators New

New design allows extremely fast fitting of shelves in several layers, which significantly reduces assembly time. Enables extremely fast replacement of individual cables in a very full e-chain®.



Lean separator design - several layers of cables fitted quickly, save up to 50%* assembly time

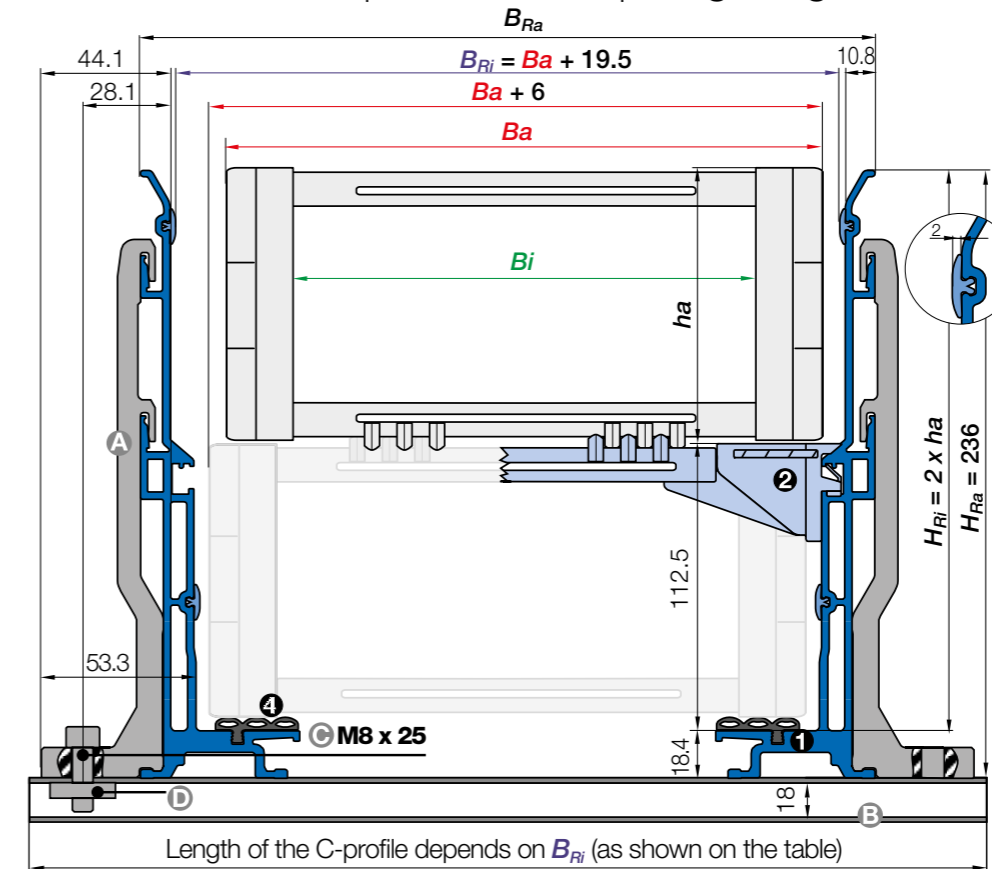
(*Lean separator vs. standard separator - measured on a 4m long e-chain® fitted with 12 cables in the igus® readychain® factory)

More interior separation options

Notch locking separator	
unassembled	80.6
assembled	80.6.1

Notch locking separator for increased holding force

Notch locking separators offer higher crossbar opening forces for high humidity and/or large hydraulic hoses. They can be positioned precisely and then locked in position.



Part No. installation set with C-profile

Width index	B_{Ri} [mm]	Part No. installation set
.18	282.5	975.50.425
.20	295.5	975.50.425
.25	345.5	975.50.475
.30	395.5	975.50.525
.35	445.5	975.50.575
.40	495.5	975.50.625

- **Trough set:** ① Trough side parts, aluminium, 2m ② Glide bar, plastic, 2m ③ Glide strips, plastic, 2m (without glide strips upon request) ④ Optional: rubber silencer profile
- **Installation set:** A Bottom clamp, aluminium B C-profile, galvanised steel, length
- Table C Allen wrench M8 x 25 D Glide nut M8

Order example: length of travel 30m - centre fixed for series P4.56.20.200.0 with $B_{Ri} = 295.5$

Guide trough set (set of 2 trough side parts, incl. glide strips) **without** glide bars **P975.30.SL**

Order text: 16m guide trough without glide bar (8 x 2m sections)

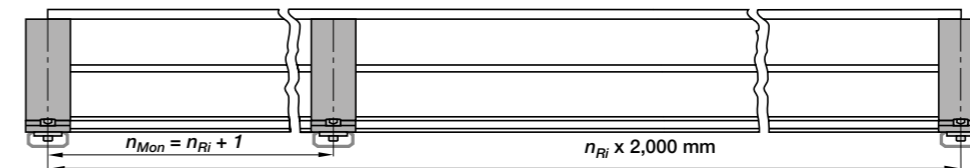
Guide trough set (set of 2 trough side parts, incl. glide strips) **with** glide bar **P975.31.Bi.SL**

Order text: 16m guide trough with glide bar (8 x 2m sections)

Installation set complete (quantity: guide trough sets + 1) **974.50.425**

Order text: 17 installation sets

Option: for an additional noise dampening with silencer profile, please add Index A **P975.30.SL.A**



Principle sketch: number of installation sets to be installed = number of trough sections + 1

- i** ● Trough set ● Installation set ● Glide bar ● C-profile
- B_a = e-chain® outer width B_i = e-chain® inner width B_{Ri} = Trough inner width B_{Ra} = Trough outer width
- H_{Ri} = Trough inner height H_{Ra} = Trough outer height n_{Mon} = Number of installation sets n_{Ri} = Number of trough sets

E4/4 rol e-chain®

Long travels up to 800m,
rolling instead of gliding



Advantages E4/4 rol e-chain®

- Special solution for long travels
- 75% less drive power, rolling
- Reduction of drive power needed to move the e-chain®
- Long travels up to 800m with E4/4 rol e-chain®
- Speeds up to 6m/s possible
- Various roller types for optimum application adaption
- Can be used in dirty environments

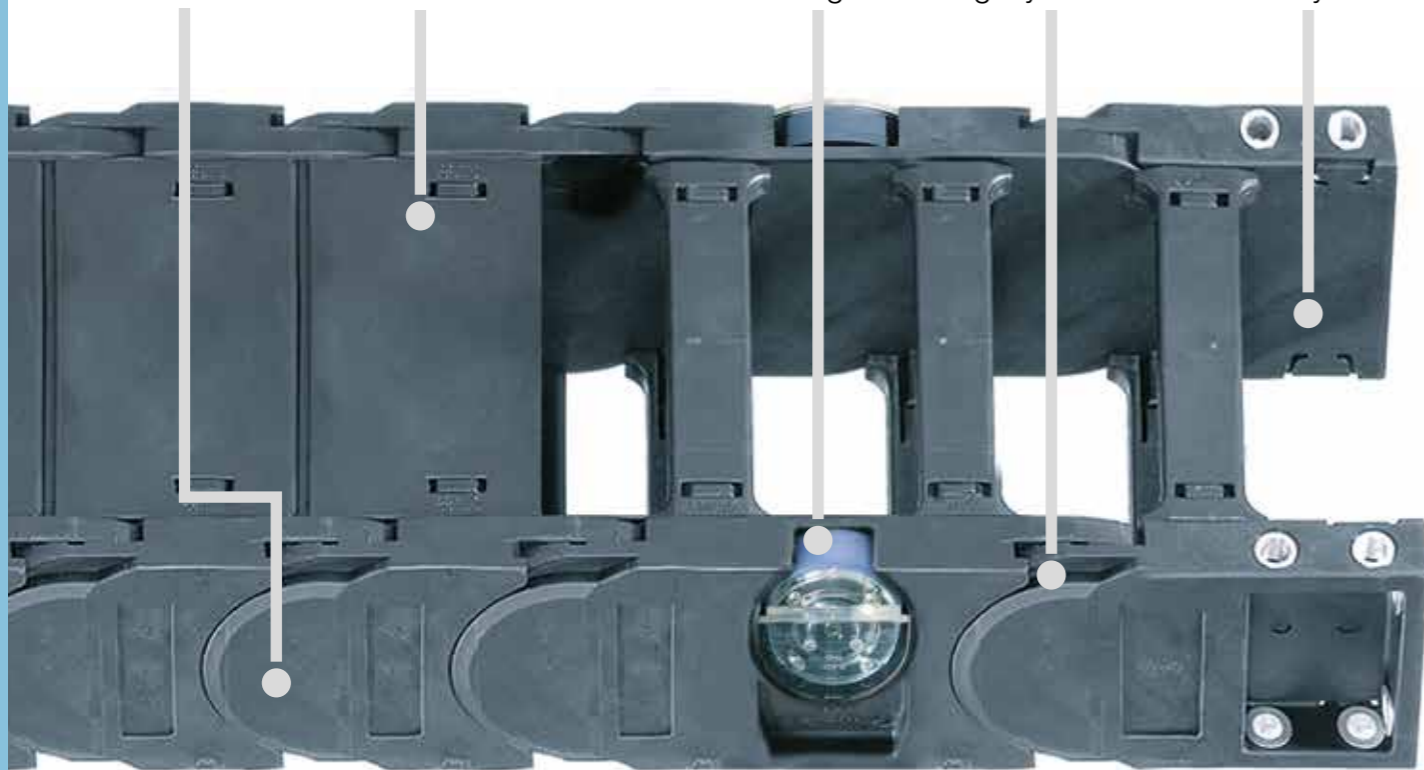


When to use another e-chain® series:

- For very high fill weights for long travels
 - ▶ E4/4HD heavy-duty, page 1092
- When you want a profile-rol e-chain® with which you can reduce energy consumption by up to 57%
 - ▶ P4 system, page 1112
- When you want a self-guiding e-chain system® without any guide troughs
 - ▶ autoglide, page 1170



- High push/pull forces: large pin/bore connection
- Fast filling: lids open on both sides, flip open along the outer radius
- Long service life: high-strength rollers, quiet design, stainless steel ball bearings
- High strength: undercut design for torsional rigidity
- Universal: KMA with attachment from any side



Long travels up to 800m, rolling instead of gliding - E4/4 rol e-chain®

Conventional design e-chains® are used gliding for long travels. The technical limits of this operating mode were the reason for development of the igus® E4/4 rol-e chain®. The demands have increased steadily in recent years. Travels of 800 metres now pose new challenges in cranes along with high travel speeds and low noise with high cable loads.

Please contact us if you have decided to use this product. We'll assist you in the project planning!

- Reduction of drive power needed to move the e-chain®
- Travels up to 800m possible
- Speeds up to 6m/s possible
- Various roller types for optimum application adaption
- Can be used in dirty environments
- Available as ready-to-fit harnessed system with guarantee

Typical industries and applications

- Crane facilities ● Bulk handling/material handling ● Mining/construction machinery ● Displacement systems



Series	Inner height <i>hi</i> [mm]	Inner width <i>Bi</i> [mm]	Outer width <i>Ba</i> [mm]	Outer height <i>ha</i> [mm]	Bend radius <i>R</i> [mm]	Travel ≤ [m]	Page
--------	--------------------------------	-------------------------------	-------------------------------	--------------------------------	------------------------------	-----------------	------



e-chains® with crossbars every link
for particularly demanding applications

2828R	32	50 - 400	74 - 424	54	125 - 300**	250	1148
3838R	42	50 - 400	77 - 427	64	150 - 350**	330	1150
4040R	56	50 - 600	86 - 636	84	200 - 400**	500	1152
5050R	80	50 - 600	100 - 650	108	250 - 500**	600	1156



e-tubes
fully enclosed,
excellent cable protection

7728R	32	50 - 300	74 - 324	54	150 - 300	250	1148
7838R	42	50 - 300	77 - 327	64	200 - 350	330	1150
8840R	56	75 - 462	111 - 499	84	300 - 400	500	1152
9850R	80	75 - 462	125 - 513	108	300 - 500	600	1156



Heavy-duty e-chain® with crossbars every link
for very long travels with very heavy fill weights

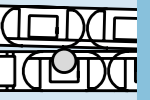
4040RHD	56	50 - 600	104 - 654	84	200 - 400	600	1154
5050RHD	80	50 - 600	110 - 660	108	250 - 500	800	1158

**Smaller bend radii (only for e-chains®) available upon request. Please consult igus® for delivery time.



Available from stock. Ready to ship in 24 - 48hrs.*

*The delivery times indicated correspond to the average time until the ordered goods are dispatched.



Technical data

	Speed rolling	≤ 10 [m/s]
	Acceleration rolling	≤ 50 [m/s ²]
	Material - permitted temperature °C, igumid G	-40°C / +120°C
	Flammability class, igumid G	VDE 0304 IIC UL94-HB

Order example | Order key

Order example for complete e-chain® (3.0m), colour black, with mounting brackets and interior separation:

e-chain® (1.0m)	Please indicate e-chain® length or number of links: 3.0m or 54 links	2828R.30.300.0
+ Mounting brackets	1 full set, KMA pivoting	28280.30.12
Interior separation	with 2 separators assembled every 2 nd link	2 x 32.1.1
Order text:	3 m 2828R.30.300.0 + 28280.30.12 + 2 x 32.1.1	

Order key
2828R.30.300.0



P4 profile-rol e-chain® - reduce energy consumption by 57%

- Safe, low-noise, abrasion-resistant energy supply system for long travels
 - Long travels up to 800m and more, high fill weights up to 30kg/m
 - For very long travels and high travel speeds up to 10m/s
 - autoglide crossbars for safe guidance
- More information ► From page 1112



autoglide - self-guiding e-chain systems®

- Self-guiding e-chains® without the need for guide troughs, available in 4 versions
 - Travels up to 80m and travel speeds up to 2.5m/s
 - Quick installation for long travels
 - Small width, quiet operation, cost-effective
- More information ► From page 1170



Shipyard crane: travel 180m, weight 30kg/m: since installation in 2001, this igus® E4/4 rol e-chain® has run trouble-free in spite of severe weather conditions. Even a typhoon did not cause any operating problems



igus® E4/4 rol e-chain® saves drive power on long travels. Safely guided in igus® guide troughs



Cross travel of 441.3m, implemented with igus® E4/4 rol e-chain® series 5050R



e-chains® | Series 2828R | Crossbars every link (crossbars removable along the inner and outer radius)
 e-tubes | Series 7728R | Fully enclosed (lids openable along the outer radius, from one side)

Part No.	<i>B_i</i>	<i>B_a</i>	2828R	7728R	Part No.	<i>B_i</i>	<i>B_a</i>	2828R	7728R		
e-chains® / e-tubes	[mm]	[mm]	[kg/m]	[kg/m]	e-chains® / e-tubes	[mm]	[mm]	[kg/m]	[kg/m]		
2828R. 7728R. 05. R.0 ¹⁾	50	74	≈ 1.73	≈ 2.63	2828R. -	212.R.0	212	237	≈ 2.87	-	
2828R. -	06. R.0	68	92	≈ 1.79	-	2828R. -	23. R.0	225	249	≈ 2.92	-
2828R. 7728R. 07. R.0	75	99	≈ 1.84	≈ 2.75	2828R. -	237.R.0	237	262	≈ 3.05	-	
2828R. -	087.R.0	87	111	≈ 1.93	-	2828R. 7728R. 25. R.0	250	274	≈ 3.10	≈ 4.04	
2828R. -	097.R.0	97	120	≈ 1.99	-	2828R. -	262.R.0	262	286	≈ 3.19	-
2828R. 7728R. 10. R.0	100	124	≈ 2.02	≈ 2.83	2828R. -	28. R.0	275	299	≈ 3.28	-	
2828R. 7728R. 11. R.0	108	132	≈ 2.08	≈ 2.94	2828R. -	29. R.0	287	312	≈ 3.37	-	
2828R. -	112.R.0	112	137	≈ 2.15	-	2828R. 7728R. 30. R.0	300	324	≈ 3.46	≈ 4.43	
2828R. 7728R. 12. R.0	125	149	≈ 2.20	≈ 3.03	2828R. -	312.R.0	312	337	≈ 3.59	-	
2828R. -	137.R.0	137	162	≈ 2.29	-	2828R. -	325.R.0	325	349	≈ 3.68	-
2828R. 7728R. 15. R.0	150	174	≈ 2.38	≈ 3.19	2828R. -	337.R.0	337	362	≈ 3.77	-	
2828R. -	162.R.0	162	187	≈ 2.44	-	2828R. -	350.R.0	350	374	≈ 3.86	-
2828R. 7728R. 17. R.0	168	192	≈ 2.51	≈ 3.39	2828R. -	362.R.0	362	387	≈ 3.95	-	
2828R. -	18. R.0	175	199	≈ 2.56	-	2828R. -	375.R.0	375	399	≈ 4.04	-
2828R. -	187.R.0	187	212	≈ 2.65	-	2828R. -	387.R.0	387	412	≈ 4.11	-
2828R. 7728R. 20. R.0	200	224	≈ 2.74	≈ 3.59	2828R. -	400.R.0	400	424	≈ 4.18	-	

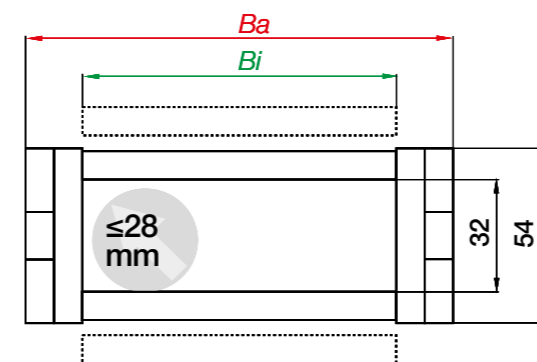
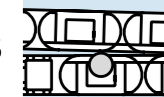
¹⁾Radius not available for e-tubes 1) Lid removable only, no hinged option

Smaller bend radii (only for e-chains®) available upon request. Please consult igus® for delivery time.

Available bend radii

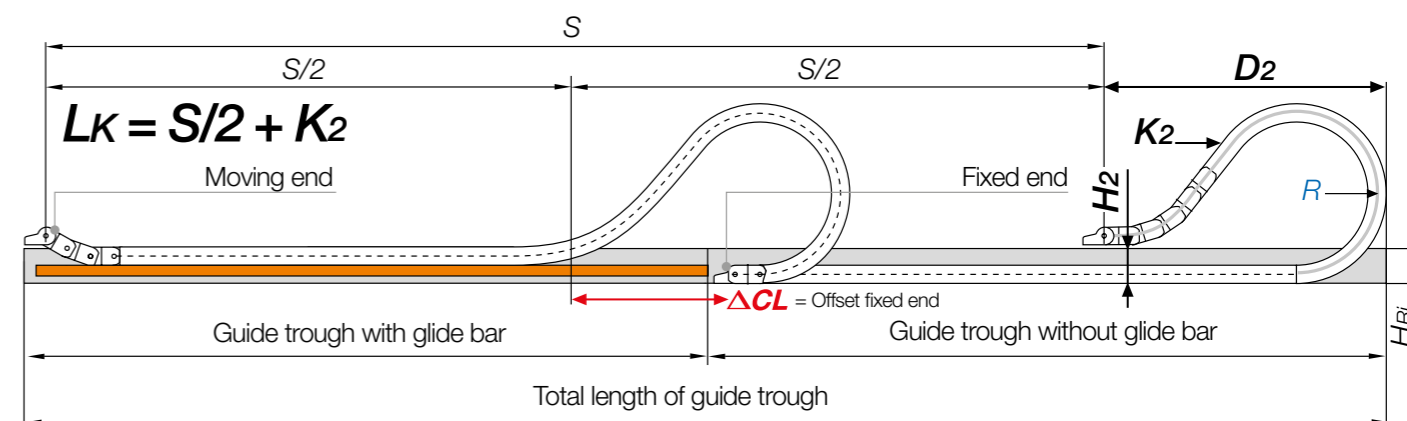
R [mm] | 125* | 150 | 175 | 200 | 220 | 250 | 300 |

Complete Part No. with required radius (*R*). Example: 2828R.30.300.0



Inner height [mm]	32
Pitch [mm/link]	56
Links/m	18
corresponds to [mm]	1,008
e-chain® length $L_K = S/2 + K$	

Rolling applications | Long travels up to max. 250m | Fill weight 6.0kg/m



Note: We recommend the project planning of such a system to be carried out by igus®. In case of travels under 10m we recommend an unsupported e-chain®.

<i>R</i>	125*	150	175	200	220	250	300
<i>H₂</i>	166	166	166	166	166	166	166
<i>D₂</i>	575	700	845	960	1,040	1,270	1,540
<i>K₂</i>	896	1,064	1,288	1,456	1,624	1,904	2,296
ΔCL	270	380	490	600	700	840	1,055

*Radius not available for e-tubes. Smaller bend radii (only for e-chains®) available upon request. Please consult igus® for delivery time.

Accessories | More information ► www.igus.eu/2828R ► www.igus.eu/7728R



Optimised, cable-friendly interior separation



Pivoting KMA mounting bracket with attachment from any side



Aluminium SuperTrough, basic version



e-chains® | Series 3838R | Crossbars every link (crossbars removable along the inner and outer radius)
e-tubes | Series 7838R | Fully enclosed (lids operable along the outer radius, from one side)

Part No.	<i>Bi</i>	<i>Ba</i>	3838R	7838R	Part No.	<i>Bi</i>	<i>Ba</i>	3838R	7838R
e-chains® / e-tubes	[mm]	[mm]	[kg/m]	[kg/m]	e-chains® / e-tubes	[mm]	[mm]	[kg/m]	[kg/m]
3838R. 7838R. 05. R.0 ¹⁾	50	77	≈ 2.06	≈ 2.25	3838R. - 212.R.0	212	240	≈ 2.84	-
3838R. - 06. R.0	68	95	≈ 2.09	-	3838R. - 23. R.0	225	252	≈ 2.92	-
3838R. 7838R. 07. R.0	75	102	≈ 2.12	≈ 2.38	3838R. - 237.R.0	237	265	≈ 2.96	-
3838R. - 087.R.0	87	115	≈ 2.18	-	3838R. 7838R. 25. R.0	250	277	≈ 3.05	≈ 4.33
3838R. - 097.R.0	97	123	≈ 2.23	-	3838R. - 262.R.0	262	290	≈ 3.06	-
3838R. 7838R. 10. R.0	100	127	≈ 2.25	≈ 2.60	3838R. - 28. R.0	275	302	≈ 3.17	-
3838R. 7838R. 11. R.0	108	135	≈ 2.30	≈ 2.65	3838R. - 29. R.0	287	315	≈ 3.19	-
3838R. - 112.R.0	112	140	≈ 2.30	-	3838R. 7838R. 30. R.0	300	327	≈ 3.32	≈ 4.89
3838R. 7838R. 12. R.0	125	152	≈ 2.40	≈ 2.81	3838R. - 312.R.0	312	340	≈ 3.34	-
3838R. - 137.R.0	137	165	≈ 2.44	-	3838R. - 325.R.0	325	352	≈ 3.41	-
3838R. 7838R. 15. R.0	150	177	≈ 2.53	≈ 3.07	3838R. - 337.R.0	337	365	≈ 3.46	-
3838R. - 162.R.0	162	190	≈ 2.55	-	3838R. - 350.R.0	350	377	≈ 3.68	-
3838R. 7838R. 17. R.0	168	195	≈ 2.62	≈ 3.24	3838R. - 362.R.0	362	390	≈ 3.74	-
3838R. - 18. R.0	175	202	≈ 2.62	-	3838R. - 375.R.0	375	402	≈ 3.79	-
3838R. - 187.R.0	187	215	≈ 2.69	-	3838R. - 387.R.0	387	415	≈ 3.85	-
3838R. 7838R. 20. R.0	200	227	≈ 2.77	≈ 3.53	3838R. - 400.R.0	400	427	≈ 3.90	-

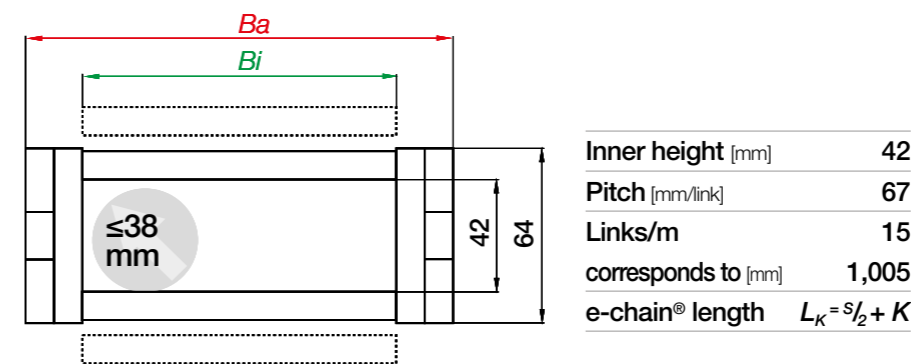
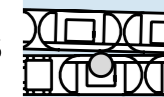
¹⁾Radius not available for e-tubes 1) Lid removable only, no hinged option

Smaller bend radii (only for e-chains®) available upon request. Please consult igus® for delivery time.

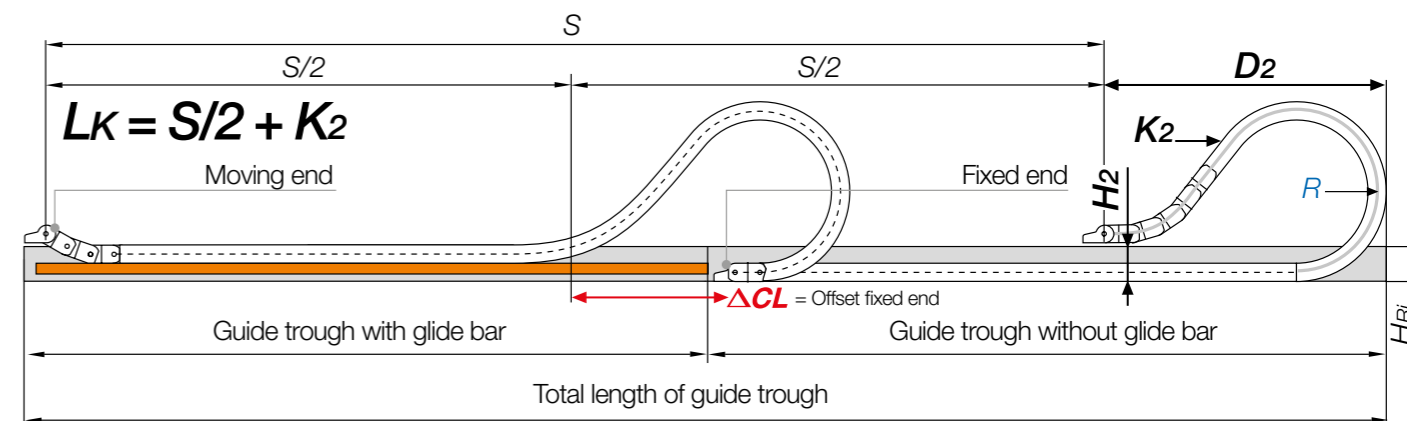
Available bend radii

R [mm] | 150* | 170* | 200 | 215 | 250 | 300 | 350 |

Complete Part No. with required radius (*R*). Example: 3838R.30.300.0



Rolling applications | Long travels up to max. 330m | Fill weight 7.0kg/m



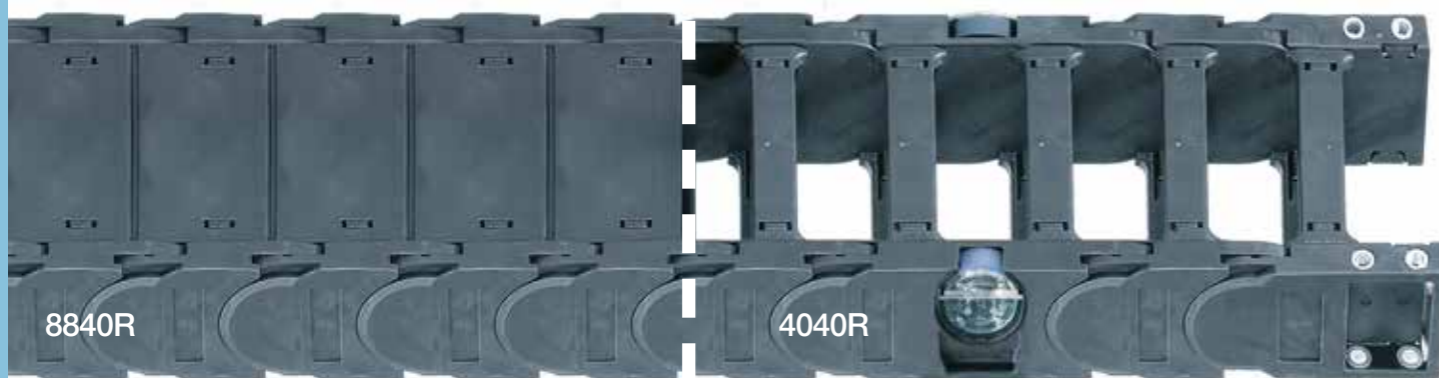
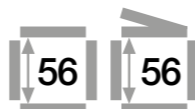
Note: We recommend the project planning of such a system to be carried out by igus®. In case of travels under 10m we recommend an unsupported e-chain®.

<i>R</i>	150*	170*	200	215	250	300	350
H_2^{+10}	186	186	186	186	186	186	186
D_2^{+50}	680	820	1,010	1,030	1,245	1,630	1,830
K_2	107	1,273	1,541	1,608	1,876	2,479	2,747
ΔCL	345	455	610	670	825	1,075	1,285

*Radius not available for e-tubes. Smaller bend radii (only for e-chains®) available upon request. Please consult igus® for delivery time.

Accessories | More information ► www.igus.eu/3838R ► www.igus.eu/7838R





e-chains® | Series 4040R | Crossbars every link (crossbars removable along the inner and outer radius)
e-tubes | Series 8840R | Fully enclosed (lids openable along the outer radius, from one side)

Part No.		Bi	Ba	4040R	8840R	Part No.		Bi	Ba	4040R	8840R		
e-chains® / e-tubes		[mm]	[mm]	[kg/m]	[kg/m]	e-chains® / e-tubes		[mm]	[mm]	[kg/m]	[kg/m]		
4040R.	-	05. R.0	50	86	≈ 3.65	-	4040R.	-	31. R.0	312	349	≈ 5.58	-
4040R.	-	06. R.0	65	101	≈ 3.67	-	4040R.	-	32. R.0	325	361	≈ 5.63	-
4040R.	8840R.	07. R.0 ¹⁾	75	111	≈ 3.78	≈ 4.24	4040R.	-	33. R.0	337	374	≈ 5.81	-
4040R.	-	08. R.0	87	123	≈ 3.83	-	4040R.	8840R.	35. R.0	350	386	≈ 5.96	≈ 8.02
4040R.	8840R.	10. R.0	100	136	≈ 3.96	≈ 4.52	4040R.	-	36. R.0	362	399	≈ 5.96	-
4040R.	-	11. R.0	112	149	≈ 4.09	-	4040R.	-	37. R.0	375	411	≈ 5.98	-
4040R.	8840R.	12. R.0	125	161	≈ 4.16	≈ 4.88	4040R.	-	38. R.0	387	424	≈ 6.07	-
4040R.	-	13. R.0	137	174	≈ 4.29	-	4040R.	8840R.	40. R.0	400	436	≈ 6.27	≈ 8.98
4040R.	8840R.	15. R.0	150	186	≈ 4.36	≈ 5.31	4040R.	-	41. R.0	412	449	≈ 6.42	-
4040R.	-	16. R.0	162	199	≈ 4.47	-	4040R.	-	42. R.0	425	461	≈ 6.58	-
4040R.	8840R.	17. R.0	175	211	≈ 4.58	≈ 5.56	4040R.	-	43. R.0	437	474	≈ 6.64	-
4040R.	-	18. R.0	187	224	≈ 4.69	-	4040R.	-	45. R.0	450	486	≈ 6.71	-
4040R.	8840R.	20. R.0	200	236	≈ 4.71	≈ 5.89	4040R.	8840R.	46. R.0	462	499	≈ 6.73	≈ 9.44
4040R.	-	21. R.0	212	249	≈ 4.82	-	4040R.	-	47. R.0	475	511	≈ 6.86	-
4040R.	-	22. R.0	225	261	≈ 4.88	-	4040R.	-	48. R.0	487	524	≈ 6.88	-
4040R.	-	23. R.0	237	274	≈ 5.02	-	4040R.	-	50. R.0	500	536	≈ 7.00	-
4040R.	8840R.	25. R.0	250	286	≈ 5.10	≈ 6.61	4040R.	-	51. R.0	512	549	≈ 7.02	-
4040R.	-	26. R.0	262	299	≈ 5.19	-	4040R.	-	52. R.0	525	561	≈ 7.06	-
4040R.	8840R.	27. R.0	275	311	≈ 5.30	≈ 6.89	4040R.	-	53. R.0	537	574	≈ 7.22	-
4040R.	-	28. R.0	287	324	≈ 5.32	-	4040R.	-	55. R.0	550	586	≈ 7.70	-
4040R.	8840R.	30. R.0	300	336	≈ 5.54	≈ 7.27	4040R.	-	60. R.0	600	636	≈ 7.90	-

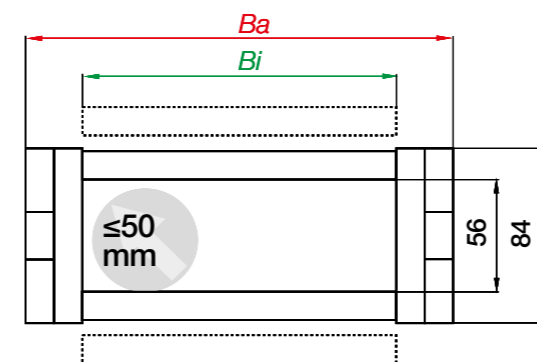
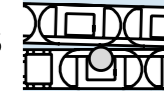
*Radius not available for e-tubes 1) Lid removable only, no hinged option

Smaller bend radii (only for e-chains®) available upon request. Please consult igus® for delivery time.

Available bend radii

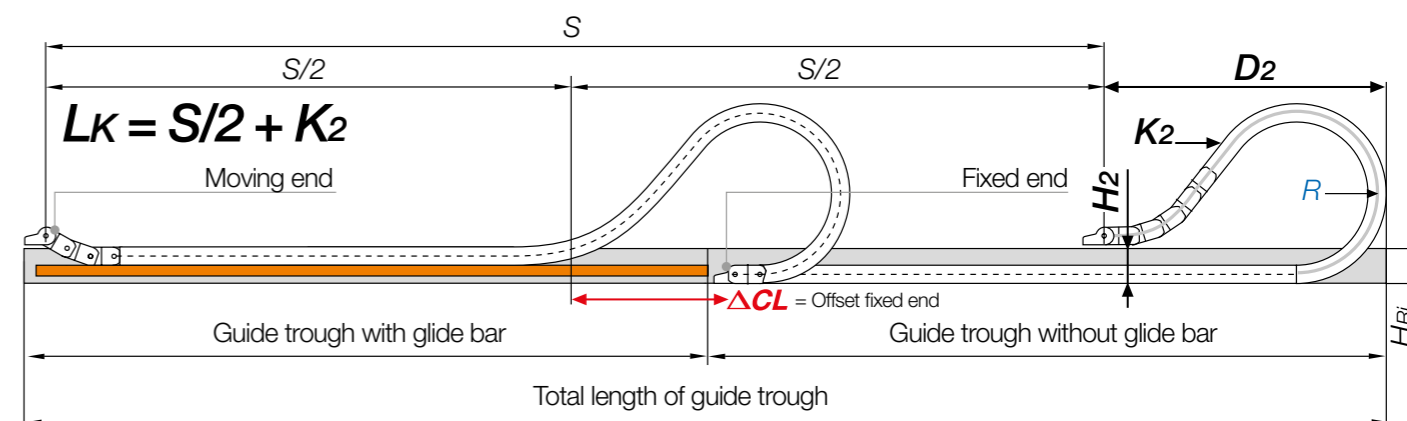
R [mm] | 200* | 250* | 300 | 350 | 400 |

Complete Part No. with required radius (R). Example: 4040R.30.300.0



Inner height [mm]	56
Pitch [mm/link]	91
Links/m	11
corresponds to [mm]	1,001
e-chain® length $L_K = S/2 + K$	

Rolling applications | Long travels up to max. 500m | Fill weight 13kg/m



Note: We recommend the project planning of such a system to be carried out by igus®.

In case of travels under 10m we recommend an unsupported e-chain®.

R	200*	250*	300	350	400
H ₂ ⁺¹⁰	180	180	180	180	180
D ₂ ⁺⁵⁰	1,230	1,370	1,600	1,850	2,070
K ₂	1,820	2,184	2,548	2,912	3,276
ΔCL	525	710	900	1,090	1,275

*Radius not available for e-tubes. Smaller bend radii (only for e-chains®) available upon request. Please consult igus® for delivery time.

Accessories | More information ► www.igus.eu/4040R ► www.igus.eu/8840R



Optimised, cable-friendly interior separation



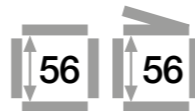
Pivoting KMA mounting bracket with attachment from any side



Extension links - for extremely wide e-chains® up to 3.0m



Aluminium SuperTrough, basic version



4040RHD

e-chains® | Series 4040RHD | Crossbars every link (crossbars removable along the inner and outer radius)

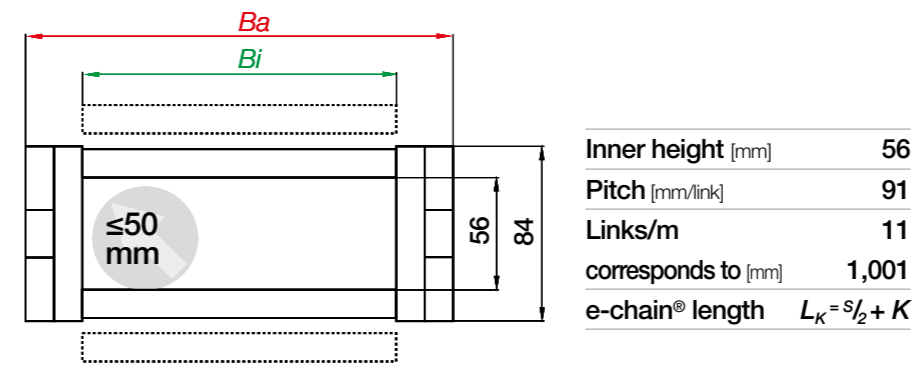
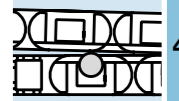
Part No. e-chains®	Bi [mm]	Ba [mm]	4040RHD [kg/m]	Part No. e-chains®	Bi [mm]	Ba [mm]	4040RHD [kg/m]
4040RHD. 05. R.0	50	104	≈ 5.03	4040RHD. 31. R.0	312	366	≈ 6.94
4040RHD. 06. R.0	65	119	≈ 5.12	4040RHD. 32. R.0	325	379	≈ 7.05
4040RHD. 07. R.0 ¹⁾	75	129	≈ 5.19	4040RHD. 33. R.0	337	391	≈ 7.17
4040RHD. 08. R.0	87	141	≈ 5.27	4040RHD. 35. R.0	350	404	≈ 7.37
4040RHD. 10. R.0	100	154	≈ 5.36	4040RHD. 36. R.0	362	416	≈ 7.28
4040RHD. 11. R.0	112	166	≈ 5.48	4040RHD. 37. R.0	375	429	≈ 7.38
4040RHD. 12. R.0	125	179	≈ 5.56	4040RHD. 38. R.0	387	441	≈ 7.49
4040RHD. 13. R.0	137	191	≈ 5.69	4040RHD. 40. R.0	400	454	≈ 7.76
4040RHD. 15. R.0	150	204	≈ 5.73	4040RHD. 41. R.0	412	466	≈ 7.68
4040RHD. 16. R.0	162	216	≈ 5.84	4040RHD. 42. R.0	425	479	≈ 7.98
4040RHD. 17. R.0	175	229	≈ 5.97	4040RHD. 43. R.0	437	491	≈ 7.82
4040RHD. 18. R.0	187	241	≈ 6.09	4040RHD. 45. R.0	450	504	≈ 8.15
4040RHD. 20. R.0	200	254	≈ 6.14	4040RHD. 46. R.0	462	516	≈ 8.10
4040RHD. 21. R.0	212	266	≈ 6.21	4040RHD. 47. R.0	475	529	≈ 8.14
4040RHD. 22. R.0	225	279	≈ 6.28	4040RHD. 48. R.0	487	541	≈ 8.39
4040RHD. 23. R.0	237	291	≈ 6.39	4040RHD. 50. R.0	500	554	≈ 8.48
4040RHD. 25. R.0	250	304	≈ 6.50	4040RHD. 51. R.0	512	566	≈ 8.40
4040RHD. 26. R.0	262	316	≈ 6.59	4040RHD. 52. R.0	525	579	≈ 8.57
4040RHD. 27. R.0	275	329	≈ 6.70	4040RHD. 53. R.0	537	591	≈ 8.66
4040RHD. 28. R.0	287	341	≈ 6.75	4040RHD. 55. R.0	550	604	≈ 9.08
4040RHD. 30. R.0	300	354	≈ 6.91	4040RHD. 60. R.0	600	654	≈ 9.31

*Radius not available for e-tubes 1) Lid removable only, no hinged option

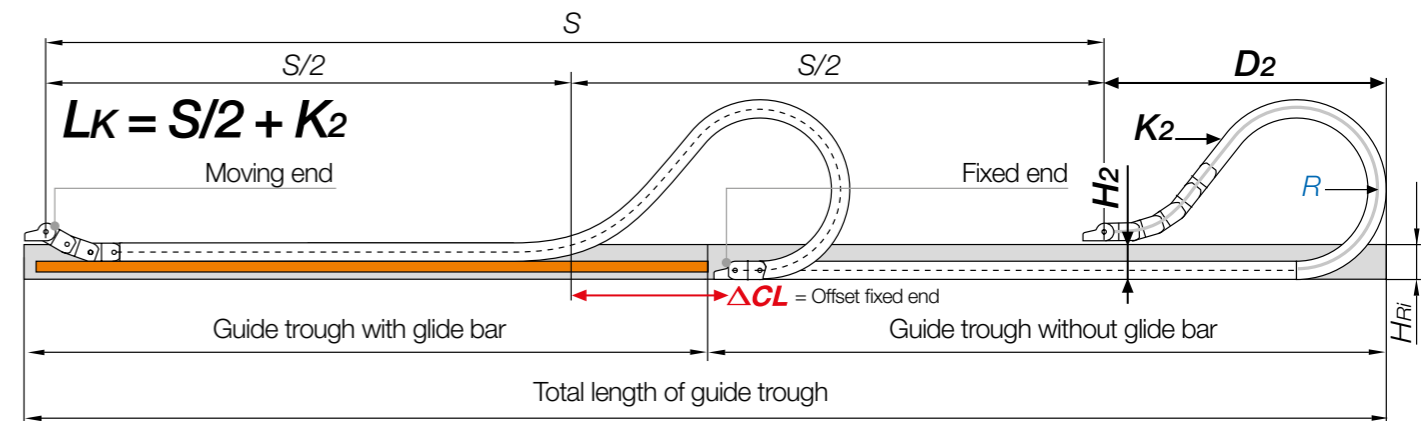
Available bend radii

R [mm] | 200* | 250* | 300 | 350 | 400 |

Complete Part No. with required radius (R). Example: 4040RHD.30.300.0



Rolling applications | Long travels up to max. 600m | Fill weight 16kg/m

**Note:** We recommend the project planning of such a system to be carried out by igus®.

In case of travels under 10m we recommend an unsupported e-chain®.

R	200*	250*	300	350	400
H_2^{+10}	180	180	180	180	180
D_2^{+50}	1,145	1,390	1,620	1,870	2,095
K_2	1,820	2,184	2,548	2,912	3,276
ΔCL	525	710	900	1,090	1,275

**Radius not available for e-tubes.

Accessories | More information ► www.igus.eu/4040RHDOptimised, cable-friendly
interior separationSteel mounting brackets,
pivoting, tough and
electrically conductiveAluminium SuperTrough,
Heavy-duty Version



e-chains® | Series 5050R | Crossbars every link (crossbars removable along the inner and outer radius)
e-tubes | Series 9850R | Fully enclosed (lids operable along the outer radius, from one side)

Part No.		<i>Bi</i>	<i>Ba</i>	5050R	9850R	Part No.		<i>Bi</i>	<i>Ba</i>	5050R	9850R		
e-chains® / e-tubes		[mm]	[mm]	[kg/m]	[kg/m]	e-chains® / e-tubes		[mm]	[mm]	[kg/m]	[kg/m]		
5050R.	-	05. R.0	50	100	≈ 5.62	-	5050R.	-	31. R.0	312	363	≈ 6.60	-
5050R.	-	06. R.0	65	115	≈ 5.68	-	5050R.	-	32. R.0	325	375	≈ 6.62	-
5050R.	9850R.	07. R.0 ¹⁾	75	125	≈ 5.70	≈ 6.24	5050R.	-	33. R.0	337	388	≈ 6.71	-
5050R.	-	08. R.0	87	137	≈ 5.76	-	5050R.	9850R.	35. R.0	350	400	≈ 6.79	≈ 10.02
5050R.	9850R.	10. R.0	100	150	≈ 5.79	≈ 6.52	5050R.	-	36. R.0	362	413	≈ 6.80	-
5050R.	-	11. R.0	112	163	≈ 5.85	-	5050R.	-	37. R.0	375	425	≈ 6.80	-
5050R.	9850R.	12. R.0	125	175	≈ 5.89	≈ 6.89	5050R.	-	38. R.0	387	438	≈ 6.84	-
5050R.	-	13. R.0	137	188	≈ 5.95	-	5050R.	9850R.	40. R.0	400	450	≈ 6.94	≈ 10.98
5050R.	9850R.	15. R.0	150	200	≈ 5.98	≈ 7.32	5050R.	-	41. R.0	412	463	≈ 7.02	-
5050R.	-	16. R.0	162	213	≈ 6.04	-	5050R.	-	42. R.0	425	475	≈ 7.10	-
5050R.	9850R.	17. R.0	175	225	≈ 6.09	≈ 7.58	5050R.	-	43. R.0	437	488	≈ 7.13	-
5050R.	-	18. R.0	187	238	≈ 6.15	-	5050R.	-	45. R.0	450	500	≈ 7.16	-
5050R.	9850R.	20. R.0	200	250	≈ 6.16	≈ 7.89	5050R.	9850R.	46. R.0	462	513	≈ 7.17	≈ 11.44
5050R.	-	21. R.0	212	263	≈ 6.22	-	5050R.	-	47. R.0	475	525	≈ 7.24	-
5050R.	-	22. R.0	225	275	≈ 6.25	-	5050R.	-	48. R.0	487	538	≈ 7.26	-
5050R.	-	23. R.0	237	288	≈ 6.31	-	5050R.	-	50. R.0	500	550	≈ 7.30	-
5050R.	9850R.	25. R.0	250	300	≈ 6.36	≈ 8.61	5050R.	-	51. R.0	512	563	≈ 7.32	-
5050R.	-	26. R.0	262	313	≈ 6.40	-	5050R.	-	52. R.0	525	575	≈ 7.34	-
5050R.	9850R.	27. R.0	275	325	≈ 6.46	≈ 8.82	5050R.	-	53. R.0	537	588	≈ 7.41	-
5050R.	-	28. R.0	287	338	≈ 6.47	-	5050R.	-	55. R.0	550	600	≈ 7.66	-
5050R.	9850R.	30. R.0	300	350	≈ 6.58	≈ 9.27	5050R.	-	60. R.0	600	650	≈ 7.76	-

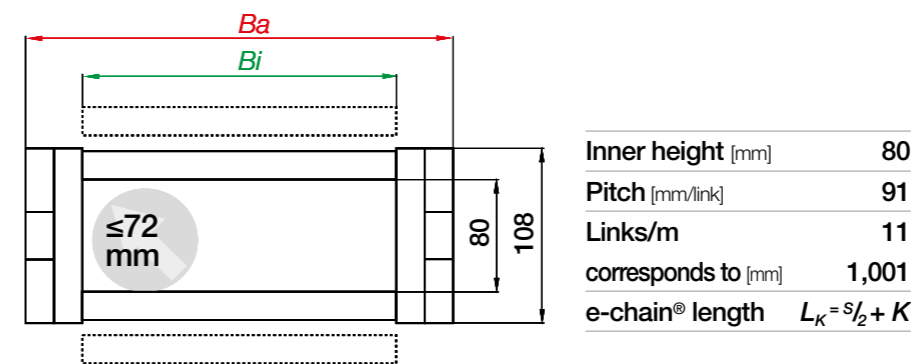
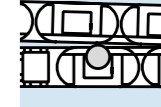
*Radius not available for e-tubes 1) Lid removable only, no hinged option

Smaller bend radii (only for e-chains®) available upon request. Please consult igus® for delivery time.

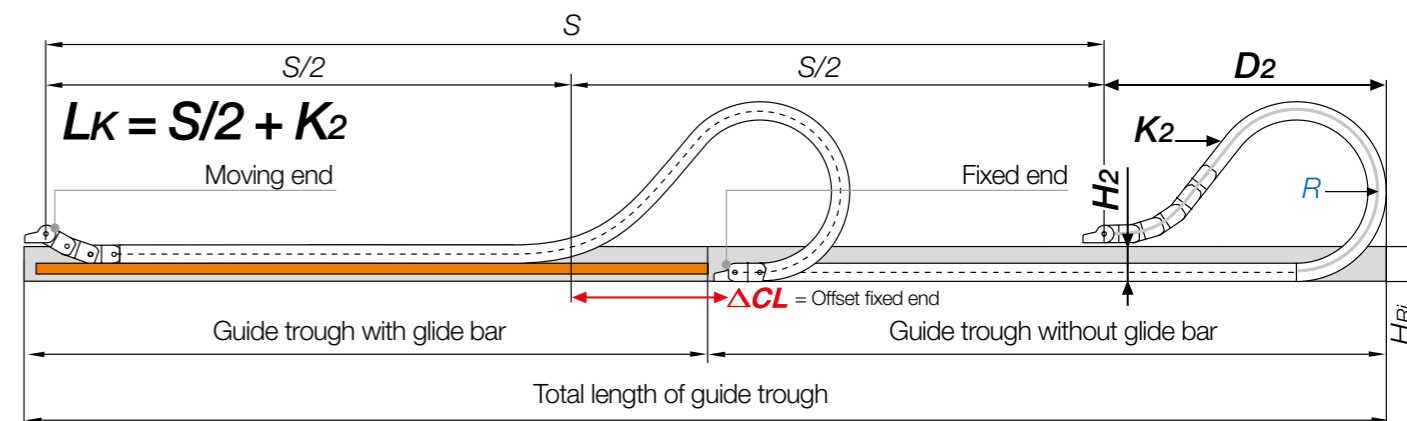
Available bend radii

R [mm] | 250* | 300 | 350 | 400 | 500 |

Complete Part No. with required radius (*R*). Example: 5050R.30.300.0



Rolling applications | Long travels up to max. 600m | Fill weight 25kg/m



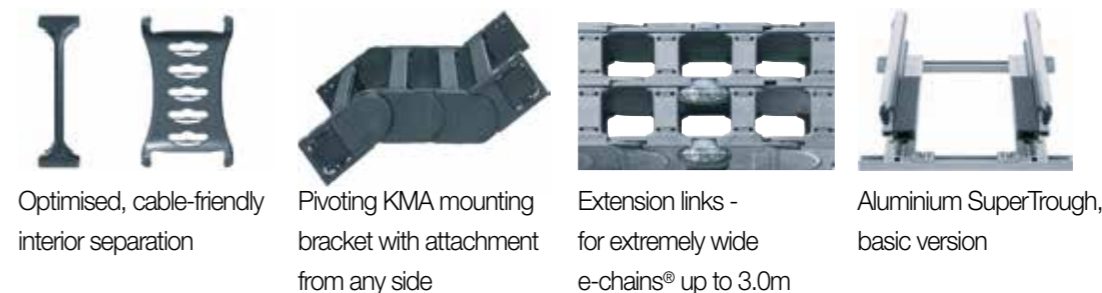
Note: We recommend the project planning of such a system to be carried out by igus®.

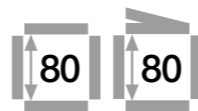
In case of travels under 10m we recommend an unsupported e-chain®.

<i>R</i>	250*	300	350	400	500
H_2^{+10}	242	242	242	242	242
D_2^{+50}	1,250	1,550	1,720	1,990	2,460
K_2	2,002	2,457	2,730	3,185	3,913
ΔCL	600	800	970	1,160	1,530

*Radius not available for e-tubes. Smaller bend radii (only for e-chains®) available upon request. Please consult igus® for delivery time.

Accessories | More information ► www.igus.eu/5050R ► www.igus.eu/9850R





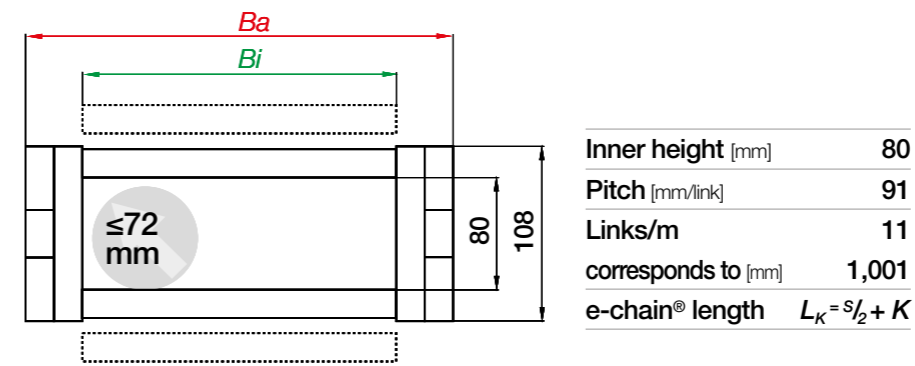
5050RHD

e-chains® | Series 5050RHD | Crossbars every link (crossbars removable along the inner and outer radius)

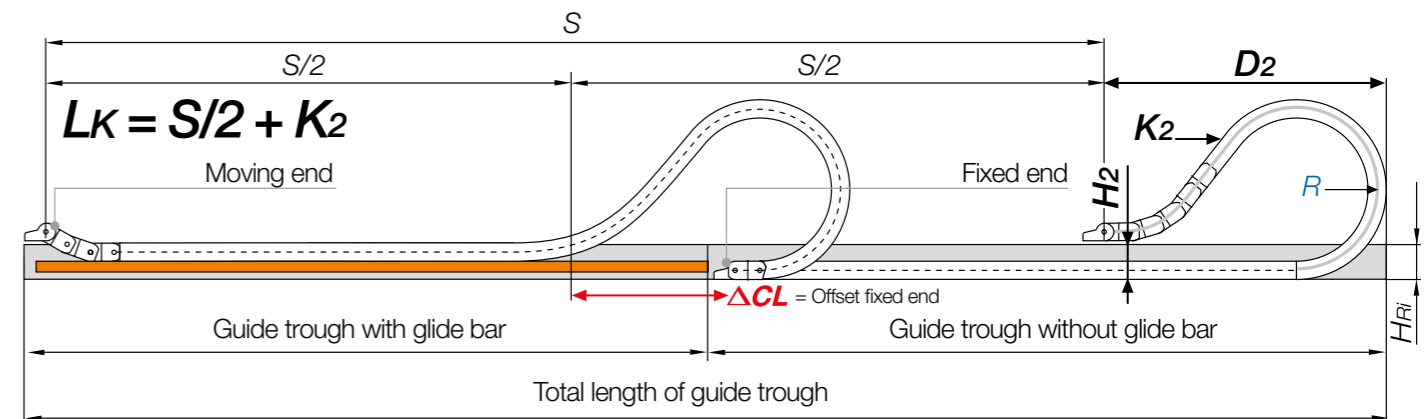
Part No. e-chains®	<i>Bi</i> [mm]	<i>Ba</i> [mm]	5050RHD [kg/m]	Part No. e-chains®	<i>Bi</i> [mm]	<i>Ba</i> [mm]	5050RHD [kg/m]
5050RHD. 05. R.0	50	110	≈ 6.65	5050RHD. 31. R.0	312	372	≈ 8.57
5050RHD. 06. R.0	65	125	≈ 6.74	5050RHD. 32. R.0	325	385	≈ 8.67
5050RHD. 07. R.0 ¹⁾	75	135	≈ 6.81	5050RHD. 33. R.0	337	397	≈ 8.79
5050RHD. 08. R.0	87	147	≈ 6.89	5050RHD. 35. R.0	350	410	≈ 8.99
5050RHD. 10. R.0	100	160	≈ 6.99	5050RHD. 36. R.0	362	422	≈ 8.90
5050RHD. 11. R.0	112	172	≈ 7.10	5050RHD. 37. R.0	375	435	≈ 9.00
5050RHD. 12. R.0	125	185	≈ 7.18	5050RHD. 38. R.0	387	447	≈ 9.11
5050RHD. 13. R.0	137	197	≈ 7.32	5050RHD. 40. R.0	400	460	≈ 9.38
5050RHD. 15. R.0	150	210	≈ 7.35	5050RHD. 41. R.0	412	472	≈ 9.31
5050RHD. 16. R.0	162	222	≈ 7.47	5050RHD. 42. R.0	425	485	≈ 9.60
5050RHD. 17. R.0	175	235	≈ 7.60	5050RHD. 43. R.0	437	497	≈ 9.44
5050RHD. 18. R.0	187	247	≈ 7.71	5050RHD. 45. R.0	450	510	≈ 9.55
5050RHD. 20. R.0	200	260	≈ 7.77	5050RHD. 46. R.0	462	522	≈ 9.72
5050RHD. 21. R.0	212	272	≈ 7.84	5050RHD. 47. R.0	475	535	≈ 9.76
5050RHD. 22. R.0	225	285	≈ 7.91	5050RHD. 48. R.0	487	547	≈ 10.01
5050RHD. 23. R.0	237	297	≈ 8.02	5050RHD. 50. R.0	500	560	≈ 10.11
5050RHD. 25. R.0	250	310	≈ 8.13	5050RHD. 51. R.0	512	572	≈ 10.02
5050RHD. 26. R.0	262	322	≈ 8.22	5050RHD. 52. R.0	525	585	≈ 10.19
5050RHD. 27. R.0	275	335	≈ 8.32	5050RHD. 53. R.0	537	597	≈ 10.29
5050RHD. 28. R.0	287	347	≈ 8.38	5050RHD. 55. R.0	550	610	≈ 10.71
5050RHD. 30. R.0	300	360	≈ 8.53	5050RHD. 60. R.0	600	660	≈ 10.94

*Radius not available for e-tubes 1) Lid removable only, no hinged option

Available bend radii

R [mm] | 250* | 300 | 350 | 400 | 500 |Complete Part No. with required radius (*R*). Example: 5050RHD.30.300.0

Rolling applications | Long travels up to max. 800m | Fill weight 30kg/m

**Note:** We recommend the project planning of such a system to be carried out by igus®.

In case of travels under 10m we recommend an unsupported e-chain®.

<i>R</i>	250*	300	350	400	500
H_2^{+10}	242	242	242	242	242
D_2^{+50}	1,280	1,570	1,750	2,010	2,480
K_2	2,002	2,457	2,730	3,185	3,913
ΔCL	600	800	970	1,160	1,530

**Radius not available for e-tubes.

Accessories | More information ► www.igus.eu/5050RHDOptimised, cable-friendly
interior separationSteel mounting brackets,
pivoting, tough and
electrically conductiveExtension links -
for extremely wide
e-chains® up to 3.0mAluminium SuperTrough,
Heavy-duty Version

E2/000

rol e-chain®

For long travels up to 150m,
energy efficient and cost-effective



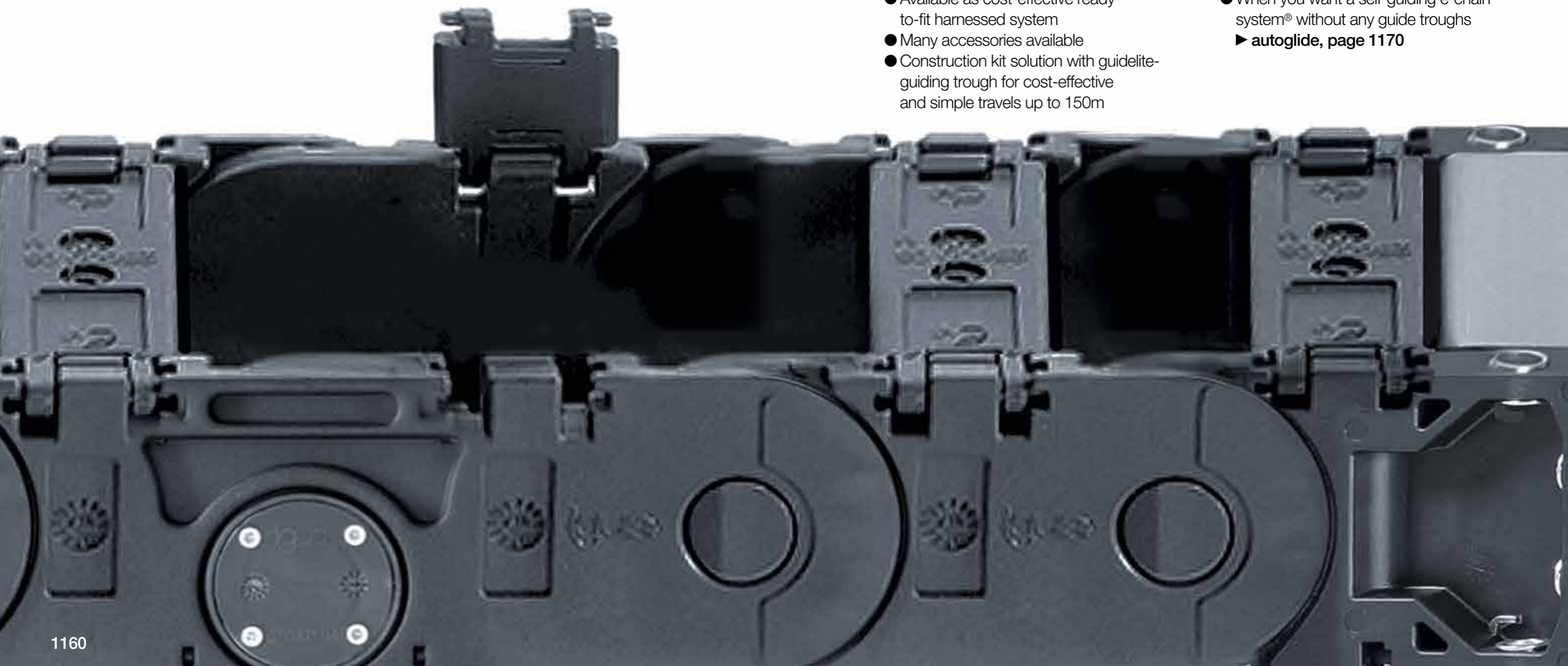
Advantages E2/000 rol e-chain®:

- Required drive power is reduced up to 75% while increasing the service life of the e-chain®
- Low-noise operation as the roller link has the same pitch as the standard link
- Max. rolling speed up to 4m/s
- Available in 2 sizes
- Available as cost-effective ready-to-fit harnessed system
- Many accessories available
- Construction kit solution with guidelite-guiding trough for cost-effective and simple travels up to 150m



When to use another e-chain® series:

- For very high fill weights for long travels
 - ▶ **E4/4HD heavy-duty, page 1092**
- When you want a profile-rol e-chain® with which you can reduce energy consumption by up to 57%
 - ▶ **P4 system, page 1112**
- When you want a self-guiding e-chain system® without any guide troughs
 - ▶ **autoglide, page 1170**



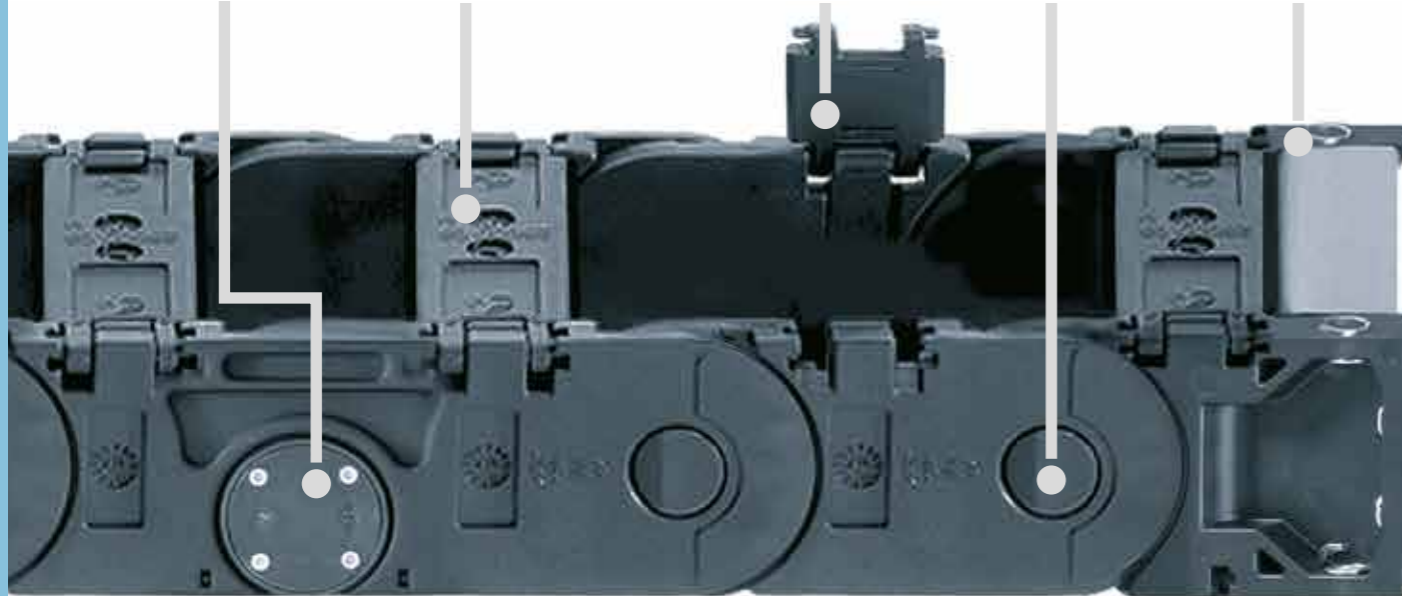
Long service life: high-strength rollers, quiet design, stainless steel ball bearings

Fast filling: openable along the outer radius, from both sides

Easy to assemble: fast opening and closing by hand

High strength: large pin/bore and crossbar with high locking force

Universal: KMA attachment from any side



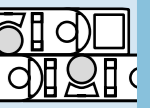
Long travels up to 150m, energy-efficient and cost-effective - E2/000 rol e-chain®

The igus® rol e-chain® of the E2/000 series enables very cost-effective long travels up to 150m. As a result, the drive power needed is reduced by up to **75%** and the **service life of the e-chain®** is increased. The rol e-chain® of the E2/000 series is the perfect solution for long travels in simple environments, e.g. in greenhouses, etc.

- Economic, long travel up to 150m
- Required drive power is **reduced up to 75%** while increasing the service life of the e-chain®
- Low-noise operation as the roller e-chain® link has the same pitch as the standard e-chain® link
- Max. rolling speed up to 4m/s
- Available in 2 sizes
- Available as cost-effective ready-to-fit harnessed system
- Construction kit solution with guidelite guide trough for cost-effective and simple travels up to 150m

Typical industries and applications

- Greenhouses ● Crane equipment ● Bulk-handling/material handling equipment ● Traversing systems ● Travel distances up to 150m ● Applications with low cycle numbers



Series	Inner height <i>hi</i> [mm]	Inner width <i>Bi</i> [mm]	Outer width <i>Ba</i> [mm]	Outer height <i>ha</i> [mm]	Bend radius <i>R</i> [mm]	Travel ≤ [m]	Page
2700R	35	50 - 175	66 - 194	50	150	150	1166
3500R	45	50 - 250	70 - 270	64	125 - 200	150	1168



E2/000 rol e-chains® - crossbars openable along the outer radius, from both sides



Available from stock. Ready to ship in 24 - 48hrs.*

*The delivery times indicated correspond to the average time until the ordered goods are dispatched.

Even more cost-effective: E2/000 rol e-chain® with guidelite guide trough as a construction kit solution

- Cost-effective long travels up to 150m
- Construction kit system for long travels with low cycle duty
- Lightweight, cost-effective and corrosion-resistant


More information ► www.igus.eu/guidelite




Technical data

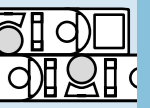
	Speed rolling	≤ 4 [m/s]
	Acceleration rolling	≤ 50 [m/s ²]
	Material - permitted temperature °C, igumid G	-40°C / +120°C
	Flammability class, igumid G	VDE 0304 IIC UL94-HB

Order example | Order key

 Order example for complete e-chain® (1.0m), colour black, with mounting brackets and interior separation:

e-chain® (1.0m)	Please indicate e-chain® length or number of links: 1.0m or 15 links	3500R.100.150.0
+ Mounting brackets	1 set, KMA pivoting	34001.100.12.C
Interior separation	with 2 separators assembled every 2 nd link	2 x 45.1.1
Order text:	1 m 3500R.100.150.0 + 34001.100.12.C + 2 x 45.1.1	

 Order key
3500R.100.150.0



E2/000 rol e-chain® in a guidelite guide trough on an irrigation plant

P4 profile-rol e-chain® - reduce energy consumption by 57%

- Safe, low-noise, abrasion-resistant energy supply system for long travels
- Long travels up to 800m and more, high fill weights up to 30kg/m
- For very long travels and high travel speeds up to 10m/s
- autoglide crossbars for safe guidance

More information ► From page 1112



autoglide - self-guiding e-chain systems®

- Self-guiding e-chains® without the need for guide troughs, available in 4 versions
- Travels up to 80m and travel speeds up to 2.5m/s
- Quick installation for long travels
- Small width, quiet operation, cost-effective

More information ► From page 1170





e-chain® | Series 2700R | Openable along the outer radius, from both sides

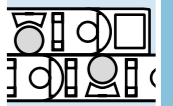
Part No. e-chains®	<i>Bi</i> [mm]	<i>Ba</i> [mm]	<i>R</i> Available bend radii [mm]	2700R [kg/m]
2700R.05 .R.0	50	66	100* 125* 150 200* -	≈ 1.17
2700R.06 .R.0	65	81	100* 125* 150 200* 250*	≈ 1.24
2700R.07 .R.0	75	91	100* 125* 150 200* 250*	≈ 1.30
2700R.09 .R.0	90	106	100* 125* 150 200* 250*	≈ 1.37
2700R.10 .R.0	100	116	100* 125* 150 200* 250*	≈ 1.39
2700R.12 .R.0	125	141	100* 125* 150 200* 250*	≈ 1.48
2700R.15 .R.0	150	166	100* 125* 150 200* 250*	≈ 1.62
2700R.17 .R.0	175	194	100* 125* 150 200* 250*	≈ 1.85

*Radius available upon request. Please consult igus® for delivery time.

Complete Part No. with required radius (*R*). Example: **2700R.100.150.0**

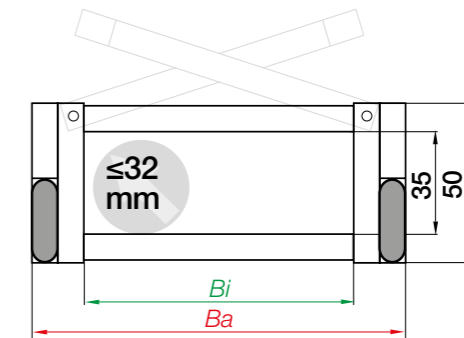
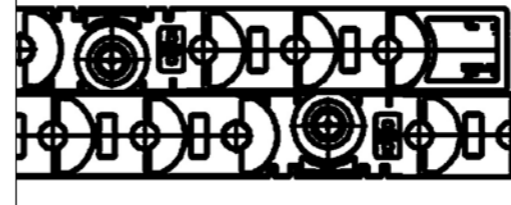
Even more cost-effective: E2/000 rol e-chain® with guidelite guide trough as a construction kit solution

- Cost-effective long travels up to 150m
 - Construction kit system for long travels with low cycle duty
 - Lightweight, cost-effective and corrosion-resistant
- More information ► www.igus.eu/guidelite



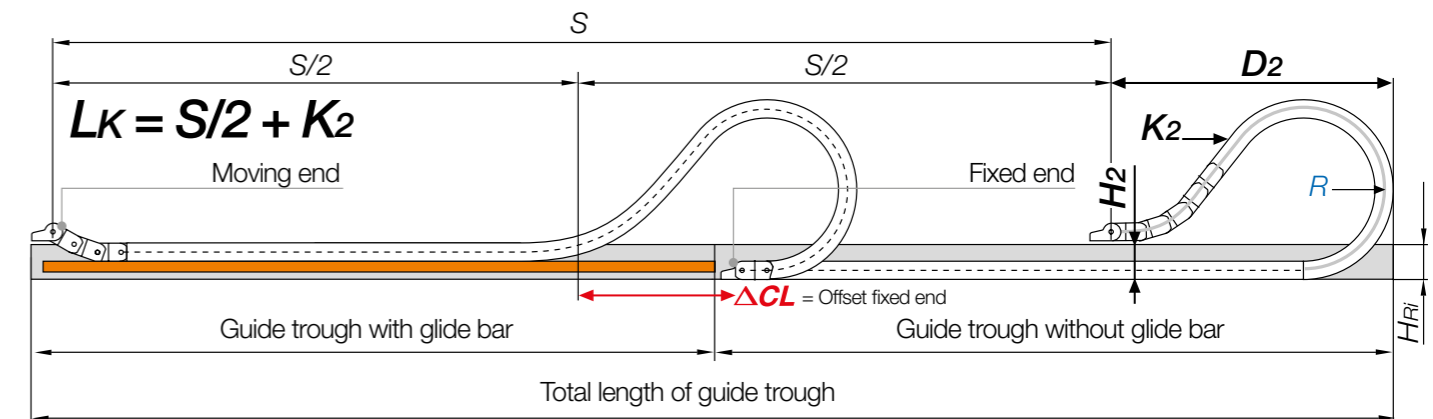
E2/000 rol e-chains® mechanism

The upper run rolls on the lower run of the e-chain®. "Rolling instead of gliding"



Inner height [mm]	35
Pitch [mm/link]	56
Links/m	18
corresponds to [mm]	1,008
e-chain® length $L_K = S/2 + K$	

Rolling applications | Long travels up to max. 150m | Fill weight 2.5kg/m



Note: We recommend the project planning of such a system to be carried out by igus®.

In case of travels under 10m we recommend an unsupported e-chain®.

<i>R</i>	100*	125*	150	200*	250*
H_2	166	166	166	166	166
D_2^{+25}	350	475	500	770	950
K_2	616	784	896	1,288	1,624
ΔCL	144	244	244	464	594

*Radius available upon request. Please consult igus® for delivery time.

Accessories | More information ► www.igus.eu/2700R



Optimised, cable-friendly interior separation



Pivoting KMA mounting bracket with attachment from any side



Plastic mounting brackets with many strain relief options



Steel mounting brackets, tough and electrically conductive



Aluminium SuperTrough, basic version



e-chains® | Series 3500R | Openable along the outer radius, from both sides

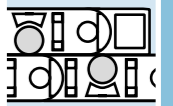
Part No. e-chains®	<i>Bi</i> [mm]	<i>Ba</i> [mm]	<i>R</i> Available bend radii [mm]	3500R [kg/m]
3500R.050 .R.0	50	70	125 150 200 - -	≈ 1.60
3500R.075 .R.0	75	95	125 150 200 250* 300*	≈ 1.78
3500R.100 .R.0	100	120	125 150 200 250* 300*	≈ 1.93
3500R.115 .R.0	115	135	125 150 200 250* 300*	≈ 1.99
3500R.125 .R.0	125	145	125 150 200 250* 300*	≈ 2.03
3500R.150 .R.0	150	170	125 150 200* 250* 300*	≈ 2.17
3500R.175 .R.0	175	195	125 150 200 250* 300*	≈ 2.28
3500R.200 .R.0	200	220	125 150 200 250* 300*	≈ 2.45
3500R.225 .R.0	225	245	125 150 200 250* 300*	≈ 2.59
3500R.250 .R.0	250	270	125 150 200 250* 300*	≈ 2.73

*Radius available upon request. Please consult igus® for delivery time.

Complete Part No. with required radius (*R*). Example: 3500R.100.150.0

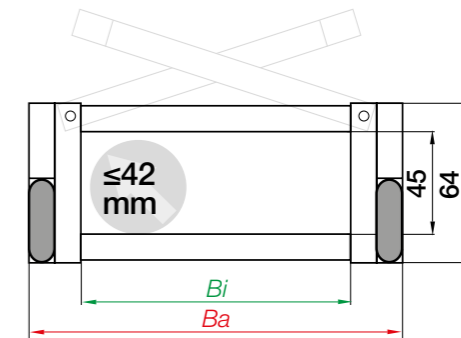
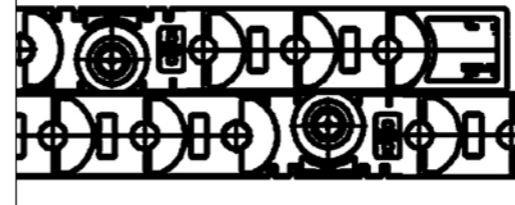
Even more cost-effective: E2/000 rol e-chain® with guidelite guide trough as a construction kit solution

- Cost-effective long travels up to 150m
 - Construction kit system for long travels with low cycle duty
 - Lightweight, cost-effective and corrosion-resistant
- More information ► www.igus.eu/guidelite



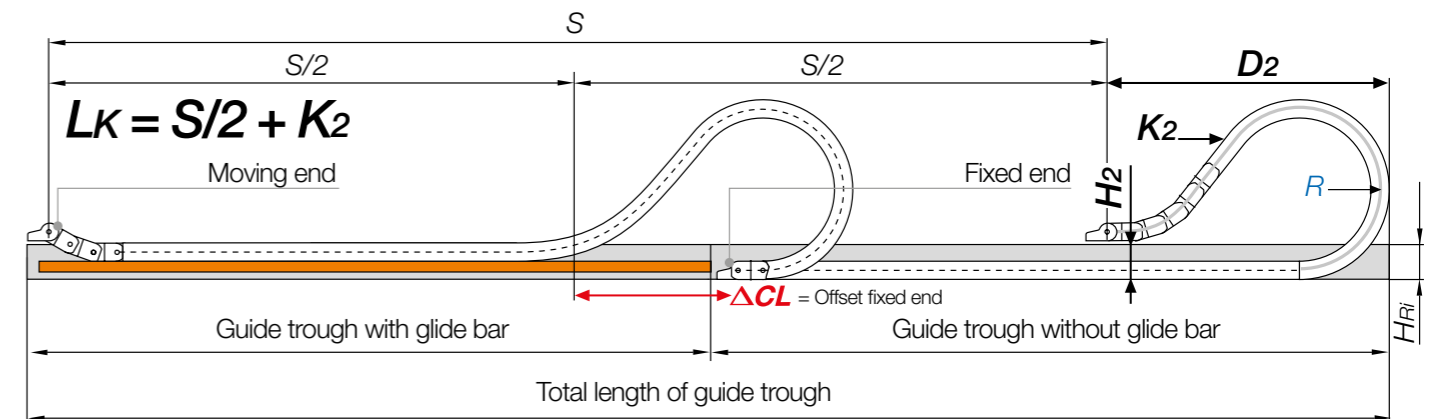
E2/000 rol e-chains® mechanism

The upper run rolls on the lower run of the e-chain®. "Rolling instead of gliding"



Inner height [mm]	45
Pitch [mm/link]	67
Links/m	15
corresponds to [mm]	1,005
e-chain® length	$L_K = S/2 + K$

Rolling applications | Long travels up to max. 150m | Fill weight 8.0kg/m



Note: We recommend the project planning of such a system to be carried out by igus®.

In case of travels under 10m we recommend an unsupported e-chain®.

<i>R</i>	125	150	200 ¹⁾	250*	300*
<i>H</i> ₂	186	186	186	186	186
<i>D</i> ₂ ⁺²⁵	475	570	780	1,010	1,150
<i>K</i> ₂	804	1,005	1,340	1,675	1,943
ΔCL	233	303	463	643	733

*Radius available upon request. Please consult igus® for delivery time. 1) Radius for series 3500R.150.200.0 available upon request. Delivery time upon request

Accessories | More information ► www.igus.eu/3500R

Optimised, cable-friendly interior separation



Pivoting KMA mounting bracket with attachment from any side



Plastic mounting brackets with many strain relief options



Steel mounting brackets, tough and electrically conductive



Aluminium SuperTrough, basic version

autoglide

Make savings on long travel distances with self-guiding e-chains®



Advantages autoglide:

- Self-guiding e-chain systems®, without the need for any guide troughs
- Safe, low-noise, abrasion-resistant energy supply system for long travels
- Available in 4 versions
- Travels up to 80m and travel speeds up to 2.5m/s
- Cost-effective solution, guide troughs not required
- Small width, quiet operation



When to use another e-chain® series:

- For very high fill weights for long travels
 - ▶ **E4/4HD heavy-duty, page 1092**
- When you want a profile-rol e-chain® with which you can reduce energy consumption by up to 57%
 - ▶ **P4 system, page 1112**
- When you want a strong rol e-chain® requiring 75% less drive power
 - ▶ **E4/4 rol e-chain®, page 1142**



There are 4 versions of the igus® autoglide system



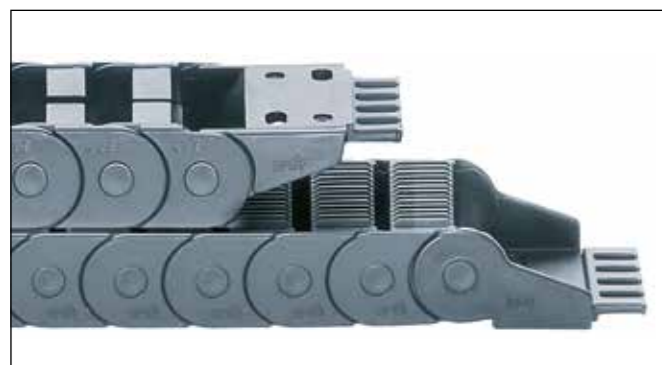
Version 01 - for igus® E4.1 e-chains®

Special crossbars along the inner radius of the igus® e-chain® fitted with moulded autoglide grooves



Version 02 - for igus® E2/000 e-chains®

Special crossbars with moulded autoglide grooves. Openable along the inner radius



Version 03 - for igus® easy chain® e-chains®

Combination of the easy to fill easy chain® and moulded autoglide grooves along the inner radius



Version 04 - for series E2/000 e-chains®

Special plastic autoglide grooves side-mounted on the e-chain® keep the e-chain® on track

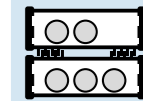
Make savings on long travel distances with self-guiding e-chains® - autoglide

Long travels are always demanding for an e-chain system®. For much of the travel, the e-chain® must run on the lower run or on glide bars. In addition the e-chain system® needs guides, in order to prevent sideways movement. In most cases this is ensured by using a guide trough. However, there are also applications where a guide trough is not desirable for space reasons, whether this is due to visual or spatial requirements. In order to meet this need, igus® developed the autoglide system in 1995. autoglide is a self-aligning e-chain®, which can dispense with guide troughs for up to 80m travel.

- Travels up to 80m and travel speeds up to 2.5m/s
- Cost-effective solution, guide troughs not required
- Very fast installation for long travel distances, no guide troughs needed!
- Small width, quiet operation

Typical industries and applications

- Industrial vehicles ● Long travels with light filling ● Simple outdoor applications



Series	Inner height <i>hi</i> [mm]	Inner width <i>Bi</i> [mm]	Outer width <i>Ba</i> [mm]	Outer height <i>ha</i> [mm]	Bend radius <i>R</i> [mm]	Travel ≤ [m]	Page
--------	--------------------------------	-------------------------------	-------------------------------	--------------------------------	------------------------------	-----------------	------



autoglide version 01 - self-guiding e-chains® for system E4.1

crossbars along the inner radius of the e-chain® fitted with moulded autoglide grooves

E4.32AG	32	112 - 262	136 - 286	54	100 - 300	60	1176
E4.42AG	42	112 - 262	139 - 289	64	125 - 350	70	1178
E4.56AG	56	150 - 250	184 - 284	84	150 - 500	80	1180



autoglide version 02- self-guiding e-chains® for system E2/000

crossbars along the inner radius of the e-chain® fitted with moulded autoglide grooves

2400AG	25	57 - 77	73 - 93	35	075 - 250	40	1184
2600AG	35	50 - 75	66 - 91	50	075 - 250	60	1186
3400AG	45	75 - 100	95 - 120	64	100 - 300	70	1188



autoglide version 03- easy filling - simply press cables in

easy chain® design along outer radius, moulded autoglide combs along the inner radius

EA16	32	48	60	39	065 - 100	20	1192
EA25	25	50	60	25.2	075 - 100	20	1193



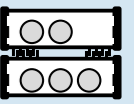
autoglide version 04 - special glide elements provide

safe guidance in the case of the E2/000: e-chains® half and full e-tubes

2400/2500.AG	25	57 - 125	73 - 141	35	055 - 250	20	1196
2600/2700.AG	35	50 - 250	66 - 194	50	075 - 250	30	1198

Available from stock. Ready to ship in 24 - 48hrs.*

*The delivery times indicated correspond to the average time until the ordered goods are dispatched.



- Practical: traversable floor guides
- Safely on track: assembled glide wing holds the e-chain®
- Smooth running: offset operation of upper and lower run
- Secure guidance: comb style auto glide crossbars
- Universal: KMA attachment from any side



Self-guiding e-chains® for system E4.1 - autoglide version 01

For the larger e-chains® of the E4.1 system. Glide wings and floor guides - simple guide elements for quick installation on the floor are available for the autoglide system version 01. The eccentric guides are fastened to the floor every 2 metres. The glide wing fastened on the moving end keeps the e-chain® securely on track. The autoglide crossbars safely guide the e-chain® and replace the guide trough.

- For the larger E4.1 e-chains®
- Simple guide elements for quick installation
- The autoglide crossbars safely guide the e-chain® replacing the need for a guide trough
- For travels over 10m
- Floor guides can be driven over

Note: Only two glide wings AG.XXX.OF are required for the safe running of the e-chain®. The glide wing is mounted on the outer link of the upper run, which then holds onto the lower run.

Typical industries and applications

- Industrial vehicles ● Long travels with easier filling ● Simple outdoor applications

Find a video online
▶ www.igus.eu/autoglide

Available from stock. Ready to ship in 24 - 48hrs.*
*The delivery times indicated correspond to the average time until the ordered goods are dispatched.

Technical data

Speed gliding	≤ 2.5 [m/s]
Acceleration gliding	≤ 2.5 [m/s ²]
Material - permitted temperature °C, igumid G	-40°C / +120°C
Flammability class, igumid G	VDE 0304 IIC UL94-HB

Order example | Order key

Order example for complete e-chain® (15.0m), colour black, with mounting brackets and interior separation:

e-chain® (15m)	indicate e-chain® length: 15m	E4.32.15.150.0.AG.NC
e-chain® + Glide wings	Module, containing 3 e-chain® links and 2 glide wings	E4.32.15.150.0.AG.OF.NC
+ Floor guides	8 pieces (2 units every 2m from the half of the travel)	AG.380.BF

Order text: 15 m E4.32.15.150.0.AG.NC + E4.32.15.150.0.AG.OF.NC + AG.380.BF

(mounting bracket + interior separation optional)

Note: we require one glide wing per e-chain® to the left and right at the position where the upper run first meets the lower run.

Order key
E4.32.15.150.0.AG.OF.NC



autoglide with assembled glide wing. Module, containing 3 e-chain® links and 2 glide wings Part No. E4.32.15.150.0.AG.OF.NC



autoglide self-guiding e-chains® Part No. E4.32.15.150.0.AG.NC



Glide wing Part No. AG.280.OF and floor guide Part No. AG.380.BF as an individual part



E4.32AG

Series E4.32AG | Crossbars every link (crossbars removable along the inner and outer radius)

Part No. e-chains®	Bi [mm]	Ba [mm]	R Available bend radii [mm]	E4.32AG [kg/m]	Glide wing*	Floor guide*
E4.32. 112 .R.0.AG.NC	112	136	100 125 150 175 200 220 250 300	≈ 2.106	AG.280.OF	AG.380.BF
E4.32. 12 .R.0.AG.NC	125	148	100 125 150 175 200 220 250 300	≈ 2.176	AG.280.OF	AG.380.BF
E4.32. 15 .R.0.AG.NC	150	173	100 125 150 175 200 220 250 300	≈ 2.343	AG.280.OF	AG.380.BF
E4.32. 17 .R.0.AG.NC	168	191	100 125 150 175 200 220 250 300	≈ 2.444	AG.280.OF	AG.380.BF
E4.32. 20 .R.0.AG.NC	200	223	100 125 150 175 200 220 250 300	≈ 2.657	AG.280.OF	AG.380.BF
E4.32. 262 .R.0.AG.NC	262	286	100 125 150 175 200 220 250 300	≈ 3.050	AG.280.OF	AG.380.BF

More widths upon request. Please consult igus® for delivery time. *Part No. of individual part

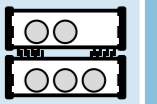
Complete Part No. with required radius (R). Example: E4.32.15.150.0.AG.NC

To receive autoglide e-chains® with pre-fitted glide wings please add index .OF. Example: E4.32.15.150.0.AG.OF.NC

P4 profile-rol e-chain® - reduce energy consumption by 57%

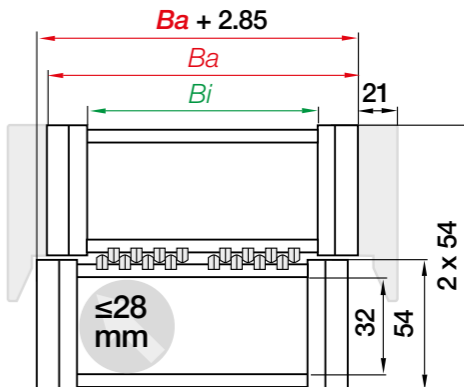
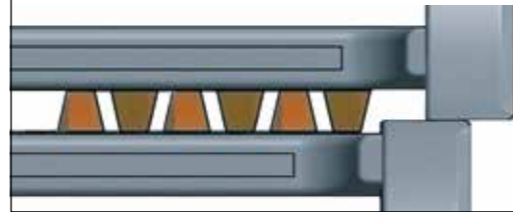
- Safe, low-noise, abrasion-resistant energy supply system for long travels
- Long travels up to 800m and more, high fill weights up to 30kg/m
- For very long travels and high travel speeds up to 10m/s
- autoglide crossbars for safe guidance

More information ► From page 1112



autoglide principle

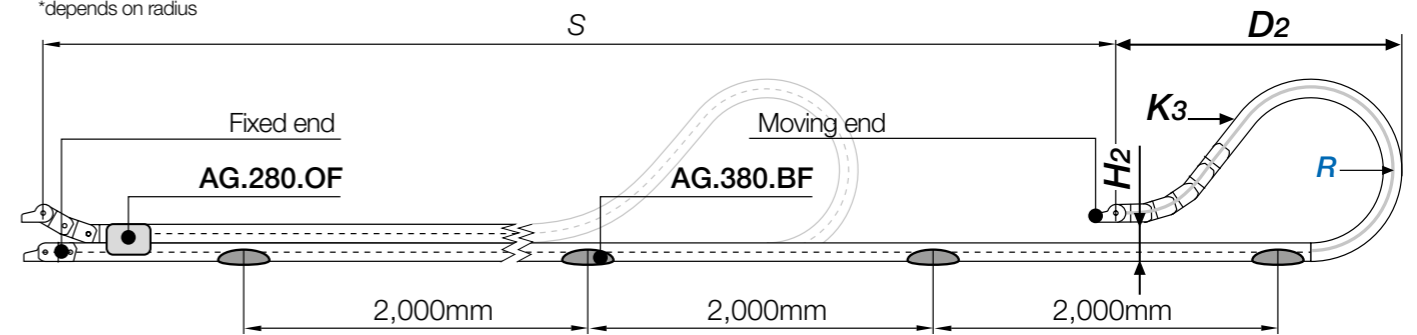
Offset operation of upper and lower run, offering a consistent glide surface



Inner height [mm]	32
Pitch [mm/link]	56
Links/m	18
corresponds to [mm]	1,008
e-chain® length	$L_K = \frac{S}{2} + K$

Gliding applications | Long travels up to max. 60m | Fill weight* 5.0 - 7.0kg/m

*depends on radius



Note: We recommend the project planning of such a system to be carried out by igus®.

In case of travels under 10m we recommend an unsupported e-chain®.

R	100	125	150	175	200	220	250	300
H ₂	166	166	166	166	166	166	166	166
D ₂	370	470	500	655	770	900	930	1,100
K ₃	840	1,064	1,232	1,568	1,848	2,072	2,240	2,688

Accessories | More information ► www.igus.eu/E4.32AG



Optimised, cable-friendly interior separation



Pivoting KMA mounting bracket with attachment from any side



E4.42AG

Series E4.42AG | Crossbars every link (crossbars removable along the inner and outer radius)

Part No. e-chains®	Bi [mm]	Ba [mm]	R Available bend radii [mm]	E4.42AG [kg/m]	Glide wing*	Floor guide*
E4.42. 112 .R.0.AG.NC	112	139	125 150 160 175 200 250 300 350	≈ 2.372	AG.380.OF	AG.380.BF
E4.42. 12 .R.0.AG.NC	125	151	125 150 160 175 200 250 300 350	≈ 2.430	AG.380.OF	AG.380.BF
E4.42. 15 .R.0.AG.NC	150	176	125 150 160 175 200 250 300 350	≈ 2.569	AG.380.OF	AG.380.BF
E4.42. 17 .R.0.AG.NC	168	194	125 150 160 175 200 250 300 350	≈ 2.654	AG.380.OF	AG.380.BF
E4.42. 20 .R.0.AG.NC	200	226	125 150 160 175 200 250 300 350	≈ 2.831	AG.380.OF	AG.380.BF
E4.42. 262 .R.0.AG.NC	262	289	125 150 160 175 200 250 300 350	≈ 3.159	AG.380.OF	AG.380.BF

More widths upon request. Please consult igus® for delivery time. *Part No. of individual part

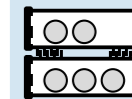
Complete Part No. with required radius (R). Example: E4.42.15.150.0.AG.NC

To receive autoglide e-chains® with pre-fitted glide wings please add index .OF. Example: E4.42.15.150.0.AG.OF.NC

P4 profile-rol e-chain® - reduce energy consumption by 57%

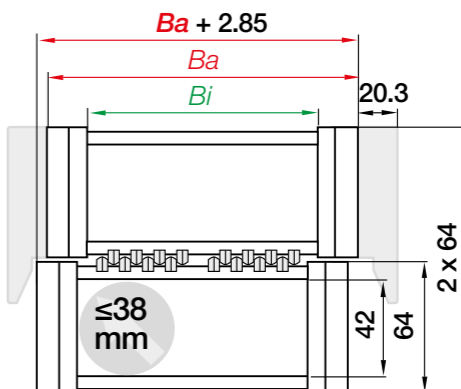
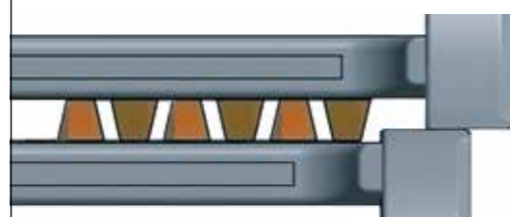
- Safe, low-noise, abrasion-resistant energy supply system for long travels
- Long travels up to 800m and more, high fill weights up to 30kg/m
- For very long travels and high travel speeds up to 10m/s
- autoglide crossbars for safe guidance

More information ► From page 1112



autoglide principle

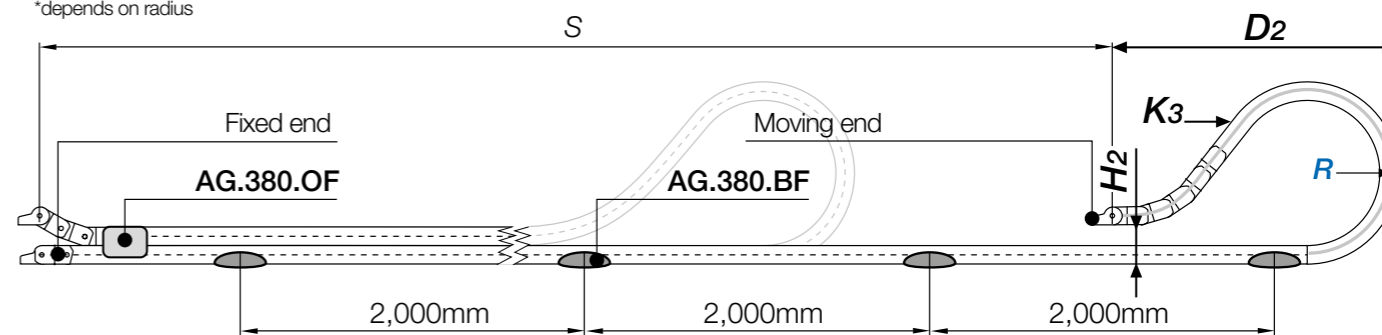
Offset operation of upper and lower run, offering a consistent glide surface



Inner height [mm]	42
Pitch [mm/link]	67
Links/m	15
corresponds to [mm]	1,005
e-chain® length	$L_K = \frac{S}{2} + K$

Gliding applications | Long travels up to max. 70m | Fill weight* 4.0 - 9.6kg/m

*depends on radius



Note: We recommend the project planning of such a system to be carried out by igus®. In case of travels under 10m we recommend an unsupported e-chain®.

R	125	150	160	175	200	250	300	350
H ₂	186	186	186	186	186	186	186	186
D ₂	475	570	623	670	780	1,030	1,150	1,500
K ₃	1,139	1,340	1,474	1,608	1,876	2,412	2,747	3,551

Accessories | More information ► www.igus.eu/E4.42AG



Optimised, cable-friendly interior separation



Pivoting KMA mounting bracket with attachment from any side



E4.56AG

Series E4.56AG | Crossbars every link (crossbars removable along the inner and outer radius)

Part No. e-chains®	Bi [mm]	Ba [mm]	R Available bend radii [mm]	E4.56AG [kg/m]	Glide wing*	Floor guide*
E4.56. 15 .R.0.AG.NC	150	184	150 175 200 240 250 300 350 400 450 500	≈ 4.109	AG.400.OF	AG.380.BF
E4.56. 21 .R.0.AG.NC	212	247	150 175 200 240 250 300 350 400 450 500	≈ 4.567	AG.400.OF	AG.380.BF
E4.56. 25 .R.0.AG.NC	250	284	150 175 200 240 250 300 350 400 450 500	≈ 4.896	AG.400.OF	AG.380.BF

More widths upon request. Please consult igus® for delivery time. *Part No. of individual part

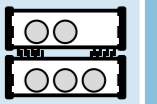
Complete Part No. with required radius (R). Example: E4.56.15.150.0.AG.NC

To receive autoglide e-chains® with pre-fitted glide wings please add index .OF. Example: E4.56.15.150.0.AG.OF.NC

P4 profile-rol e-chain® - reduce energy consumption by 57%

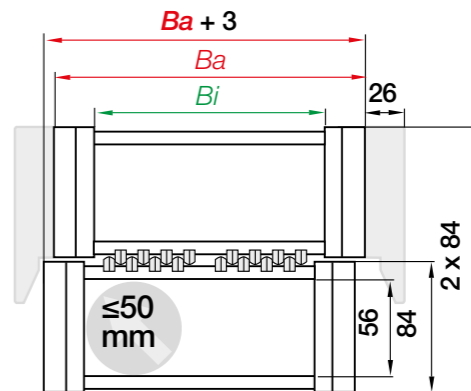
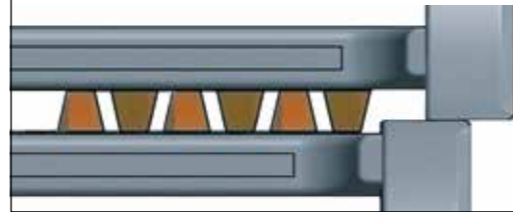
- Safe, low-noise, abrasion-resistant energy supply system for long travels
- Long travels up to 800m and more, high fill weights up to 30kg/m
- For very long travels and high travel speeds up to 10m/s
- autoglide crossbars for safe guidance

More information ► From page 1112



autoglide principle

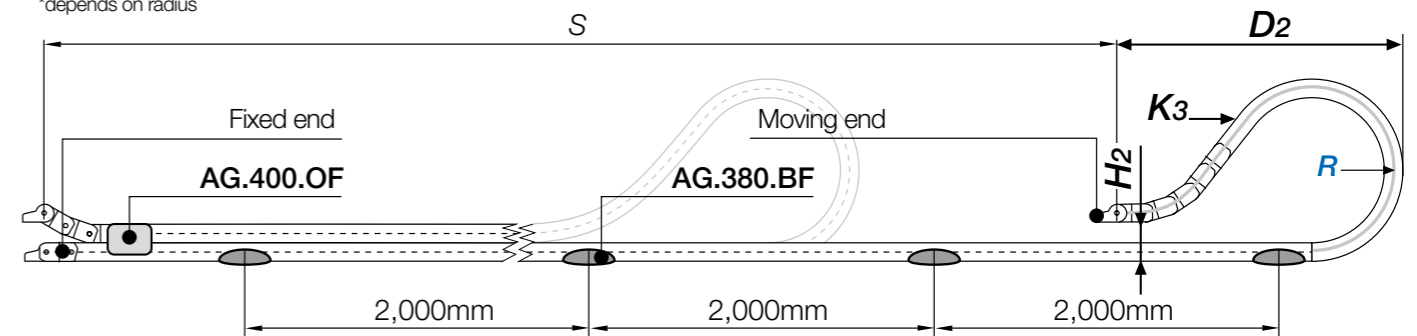
Offset operation of upper and lower run, offering a consistent glide surface



Inner height [mm]	56
Pitch [mm/link]	91
Links/m	11
corresponds to [mm]	1,001
e-chain® length	$L_K = \frac{S}{2} + K$

Gliding applications | Long travels up to max. 80m | Fill weight* 6.4 - 12kg/m

*depends on radius



Note: We recommend the project planning of such a system to be carried out by igus®.

In case of travels under 10m we recommend an unsupported e-chain®.

R	150	175	200	240	250	300	350	400	450	500
H ₂	266	266	266	266	266	266	266	266	266	266
D ₂	450	580	710	900	980	1,180	1,440	1,530	1,700	1,850
K ₃	1,092	1,456	1,729	2,184	2,366	2,821	3,276	3,640	4,095	4,550

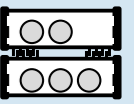
Accessories | More information ► www.igus.eu/E4.56AG



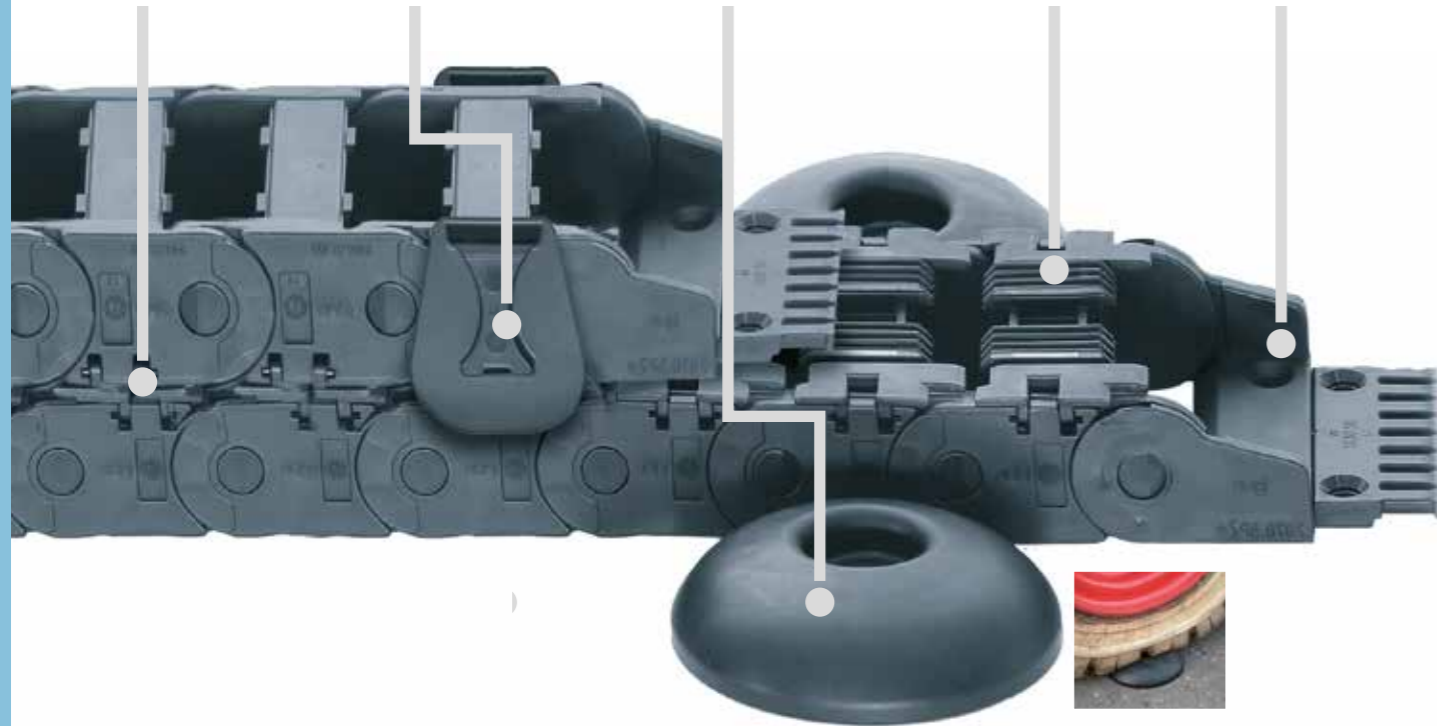
Optimised, cable-friendly interior separation



Pivoting KMA mounting bracket with attachment from any side



- Smooth running: offset operation of upper and lower run
- Safely on track: clip-on glide wing holds the e-chain®
- Practical: traversable floor guides
- Secure guidance: comb style auto glide crossbars
- Universal: mounting bracket with strain relief



Self-guiding e-chains® for system E2/000 - autoglide version 02

Guide troughs for long travels can be dispensed with when using the autoglide system. Self-guiding e-chains® can glide safely on top of each other for up to 70 metres. The system has now been extended to the igus® E2/000 and further improved. The autoglide crossbars ensure even longer life. A clip-on glide wing ensures safe e-chain® alignment over the first few metres of travel. The eccentric guides are fastened to the floor every 2 metres.

- Travel distance up to 70m and speed up to 2.0m/s
- Very compact, removes troughs forming an obstacle in the working area
- Quick installation for long travels
- Openable along the inner radius
- Also for "half tube" fully enclosed in the outer radius
- Clip-on glide wings, secure movement of the e-chain®
- Floor guides can be driven over

Typical industries and applications

- Greenhouses ● Storage and retrieval systems ● Conveyor belts ● Indoor cranes ● Handlings ● And many other long travel applications

Find a video online
▶ www.igus.eu/safetrough

Technical data

Speed gliding	≤ 2.0 [m/s]
Acceleration gliding	≤ 1.0 [m/s ²]
Material - permitted temperature °C, igumid G	-40°C / +120°C
Flammability class, igumid G	VDE 0304 IIC UL94-HB

Order example | Order key

Order example for complete e-chain® (15.0m), colour black, with mounting brackets and interior separation:

e-chain® (15m)	indicate e-chain® length: 15m	E4.32.15.150.0.AG.NC
+ Glide wings	2 glide wings are required per e-chain®	E4.32.15.150.0.AG.OF.NC
+ Floor guides	8 pieces (2 units every 2m from the half of the travel)	AG.380.BF
Order text:	15 m 2400.05AG.100.0 + AG.2400.OF + AG.380.BF	

(mounting bracket + interior separation optional)

Note: we require one glide wing per e-chain® to the left and right at the position where the upper run first meets the lower run.

Order key
2400.05AG.100.0



Available from stock. Ready to ship in 24 - 48hrs.*

*The delivery times indicated correspond to the average time until the ordered goods are dispatched.



2400AG | Crossbars openable along the inner radius, from both sides

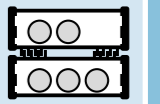
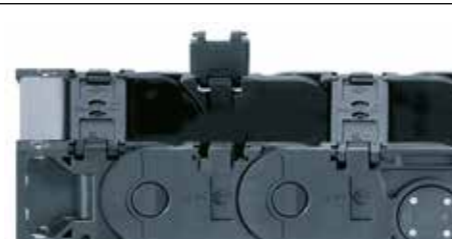
Part No. e-chains®	Bi [mm]	Ba [mm]	R Available bend radii [mm]	2400AG [kg/m]	Glide wing*	Floor guide*
2400.05 AG.R.0	57	73	075 100 125 150 175 200 225 250	≈ 1.00	AG.2400.OF	AG.380.BF
2400.07 AG.R.0	77	93	075 100 125 150 175 200 225 250	≈ 1.10	AG.2400.OF	AG.380.BF

More widths upon request. Please consult igus® for delivery time. *Part No. of individual part

Complete Part No. with required radius (R). Example: 2400.05AG.100.0

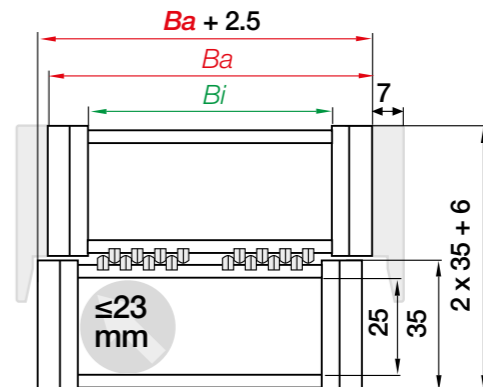
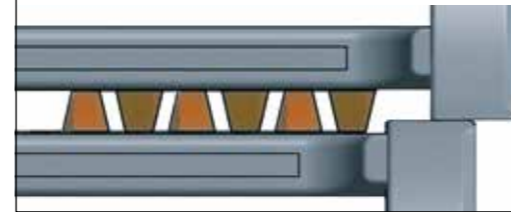
E2/000 rol e-chain® - energy-efficient and cost-effective

- Required drive power is reduced up to 75% while increasing the service life of the e-chain®
 - Travels up to 150m, max. rolling speed up to 4m/s
 - Available as cost-effective ready-to-fit harnessed system with many accessories
- More information ► From page 1160



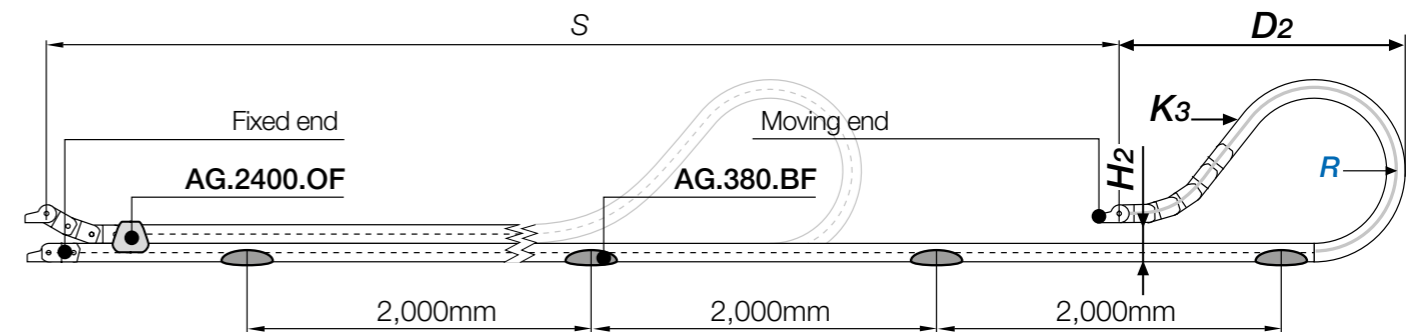
autoglide principle

Offset operation of upper and lower run, offering a consistent glide surface



Inner height [mm]	25
Pitch [mm/link]	46
Links/m	22
corresponds to [mm]	1,012
e-chain® length $L_K = \frac{S}{2} + K$	

Gliding applications | Long travels up to max. 40m | Fill weight 2.0kg/m



Note: We recommend the project planning of such a system to be carried out by igus®. For travels between 4.0 and 10m we recommend an unsupported e-chain®.

R	075	100	125	150	175	200	225	250
H ₂	150	100	100	100	100	100	100	100
D ₂	162	380	440	590	755	950	1,040	1,130
K ₃	598	920	1,058	1,426	1,794	2,208	2,438	2,668

Accessories | More information ► www.igus.eu/2400AG



Optimised, cable-friendly interior separation



Pivoting mounting brackets - recommended for gliding applications



KMA mounting bracket with attachment from any side



2600AG | Crossbars openable along the inner radius, from both sides

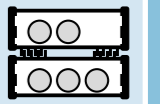
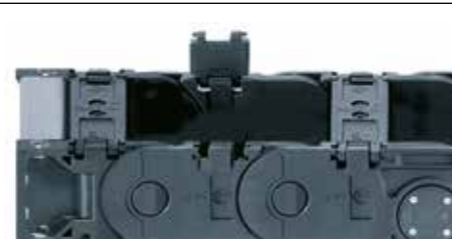
Part No. e-chains®	Bi [mm]	Ba [mm]	R Available bend radii [mm]	2600AG [kg/m]	Glide wing*	Floor guide*
2600.05 AG.R.0**	50	66	075 100 125 150 175 200 250	≈ 1.27	AG.2600.OF	AG.380.BF
2600.07 AG.R.0	75	91	075 100 125 150 175 200 250	≈ 1.40	AG.2600.OF	AG.380.BF

**Width and more widths upon request, please consult igus® for delivery time. Please consult igus® for delivery time. *Part No. of individual part

Complete Part No. with required radius (R). Example: 2600.05AG.100.0

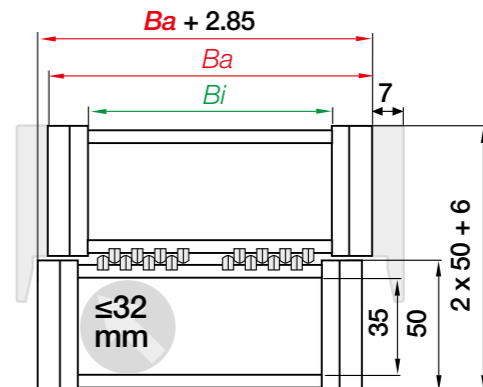
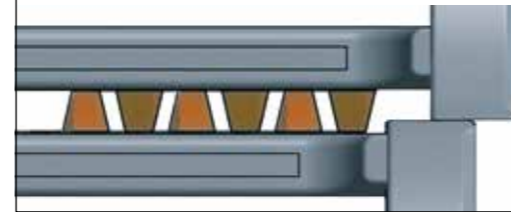
E2/000 rol e-chain® - energy-efficient and cost-effective

- Required drive power is reduced up to 75% while increasing the service life of the e-chain®
 - Travels up to 150m, max. rolling speed up to 4m/s
 - Available as cost-effective ready-to-fit harnessed system with many accessories
- More information ► From page 1160



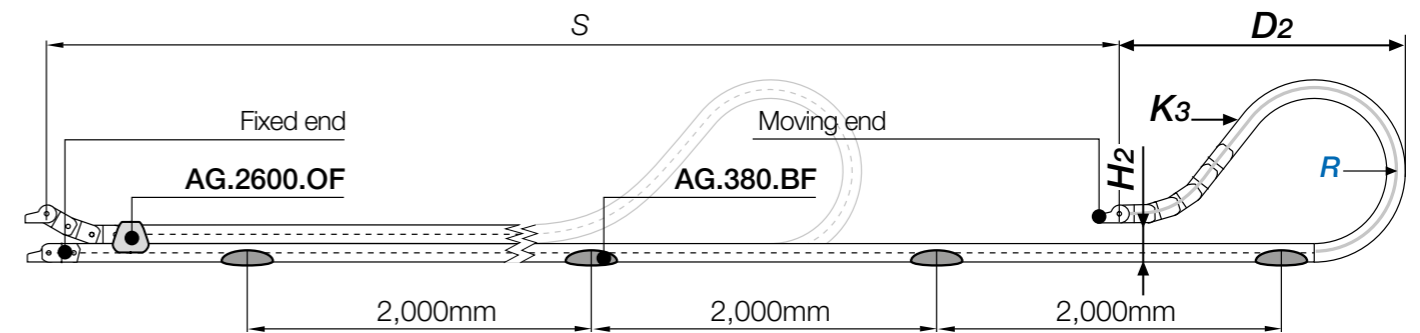
autoglide principle

Offset operation of upper and lower run, offering a consistent glide surface



Inner height [mm]	35
Pitch [mm/link]	56
Links/m	18
corresponds to [mm]	1,008
e-chain® length	$L_K = \frac{S}{2} + K$

Gliding applications | Long travels up to max. 60m | Fill weight 2.5kg/m



Note: We recommend the project planning of such a system to be carried out by igus®. For travels between 5.0 and 10m we recommend an unsupported e-chain®.

R	075	100	125	150	175	200	250
H ₂	150	166	166	166	166	166	166
D ₂ ⁺²⁵	150	350	475	500	655	770	950
K ₃	616	840	1,120	1,232	1,568	1,848	2,296

Accessories | More information ► www.igus.eu/2600AG



Optimised, cable-friendly interior separation



Pivoting mounting brackets - recommended for gliding applications



KMA mounting bracket with attachment from any side



3400AG | Crossbars openable along the inner radius, from both sides

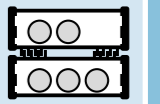
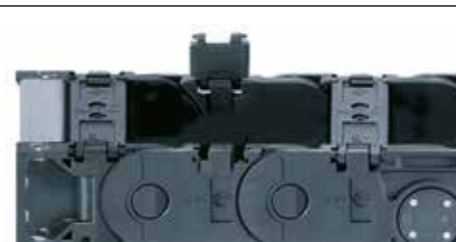
Part No. e-chains®	Bi [mm]	Ba [mm]	R Available bend radii [mm]	3400AG [kg/m]	Glide wing*	Floor guide*
3400.075AG.R.0**	75	95	100 125 150 200 250 300	≈ 1.89	AG.3400.OF	AG.380.BF
3400.100AG.R.0**	100	120	100 125 150 200 250 300	≈ 2.04	AG.3400.OF	AG.380.BF

**Width and more widths upon request, please consult igus® for delivery time. Please consult igus® for delivery time. *Part No. of individual part

Complete Part No. with required radius (R). Example: 3400.100AG.100.0

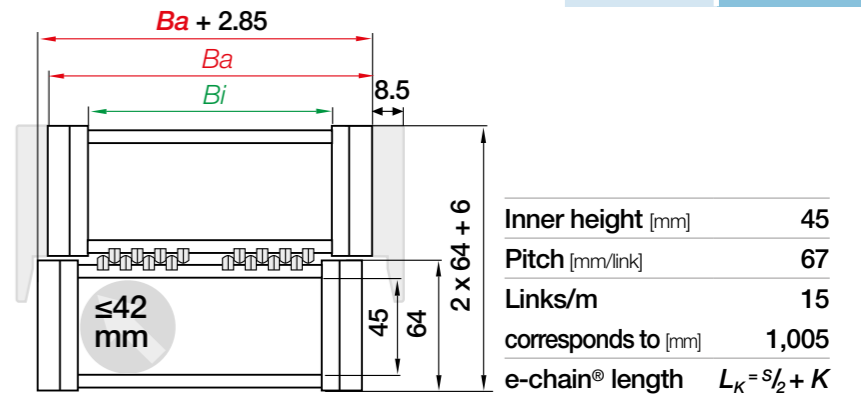
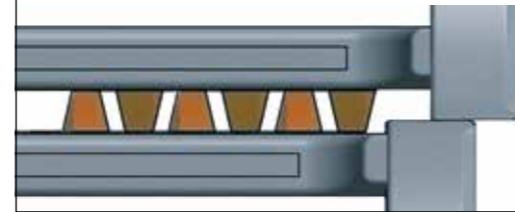
E2/000 rol e-chain® - energy-efficient and cost-effective

- Required drive power is reduced up to 75% while increasing the service life of the e-chain®
 - Travels up to 150m, max. rolling speed up to 4m/s
 - Available as cost-effective ready-to-fit harnessed system with many accessories
- More information ► From page 1160



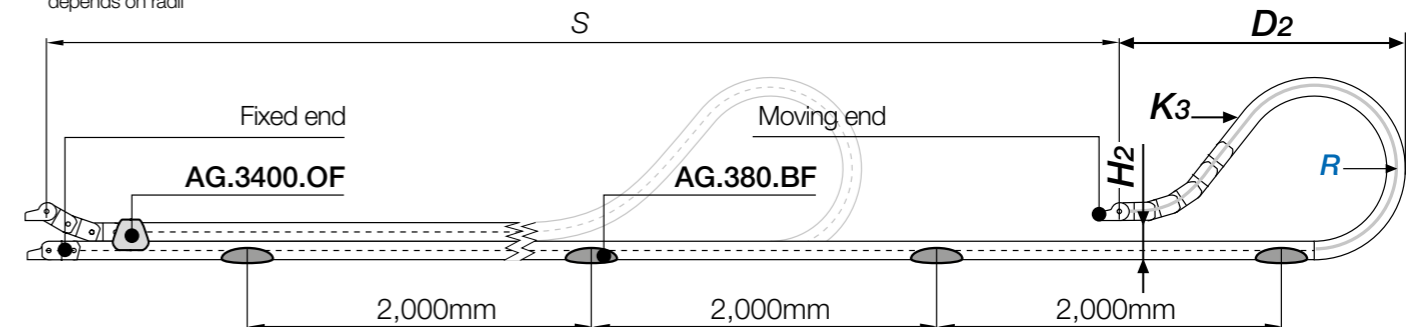
autoglide principle

Offset operation of upper and lower run, offering a consistent glide surface



Gliding applications | Long travels up to max. 70m | Fill weight* 5.0 - 8.0 kg/m

*depends on radii



Note: We recommend the project planning of such a system to be carried out by igus®.

For travels between 6.0 and 10m we recommend an unsupported e-chain®.

R	100	125	150	200	250	300
H ₂	200	186	186	186	186	186
D ₂	233	475	570	780	1,010	1,150
K ₃	871	1,139	1,407	1,876	2,412	2,747

Accessories | More information ► www.igus.eu/3400AG



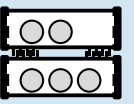
Optimised, cable-friendly interior separation



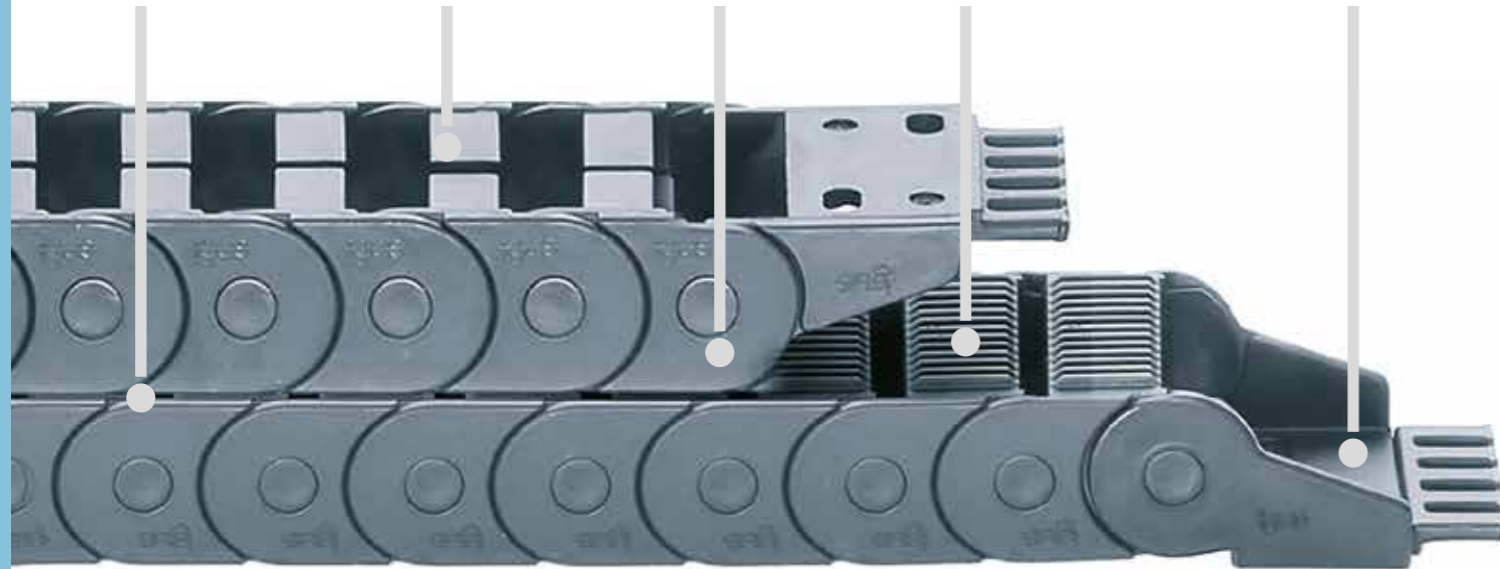
Pivoting mounting brackets - recommended for gliding applications



KMA mounting bracket with attachment from any side



- Smooth running: offset operation of upper and lower run
- Quick assembly: "easy" design - simply press cables in without opening and closing crossbars
- Cost-effective: low price due to the one-piece design
- Secure guidance: comb style auto glide crossbars
- Universal: mounting bracket with integrated strain relief



easy chain® openable along the outer radius, fitted with moulded autoglide grooves along the inner radius - autoglide Version 03

Version 03 is the quickly filled and cost-effective easy chain® e-chain® with moulded autoglide combs along the inner radius. The combs, similar to tiewrap plates, are moulded directly into the e-chain® link and are available in two sizes. The primary reason to choose easy chains® is to save time when fitting cables. The material, igumid NB, presents more application opportunities due to its elasticity, UL94-V2 classification and excellent suitability for cleanrooms. The one-piece design keeps the easy chain® very cost-effective.

- Doubly cost-effective. Elimination of guide troughs and cost-effective, one-piece e-chain®
- Very quick assembly time - even for long travels
- "easy" design: easy to fill - cables and hoses can be inserted without opening
- Single part design
- Small width, quiet operation
- UL94-V2 classification

Typical industries and applications

- Industrial vehicles ● Long travels with easier filling ● Simple outdoor applications

Available from stock. Ready to ship in 24 - 48hrs.*

*The delivery times indicated correspond to the average time until the ordered goods are dispatched.

Technical data

Speed gliding	≤ 1.0 [m/s]
Acceleration gliding	≤ 1.0 [m/s ²]
Material - permitted temperature °C, igumid G	-40°C / +80°C
Flammability class, igumid G	VDE 0304 IIC UL94-V2

Order example | Order key

Order example for complete e-chain® (1.0m), colour black, with mounting brackets and interior separation:

e-chain® (1.0m)	Please indicate e-chain® length or number of links: 1.0m or 40 links	EA25.050.100.0
+ Mounting brackets	1 set (with tiewrap plates)	EA25.050.12PZ
Order text:	1 m EA25.050.100.0 + EA25.050.12PZ	

Order key
EA25.050.100.0



Simply press in the cables in the e-chain® by hand - and it's ready! For removal just pull out the cables from the e-chain®

"easy" design along outer radius, autoglide crossbars along inner radius

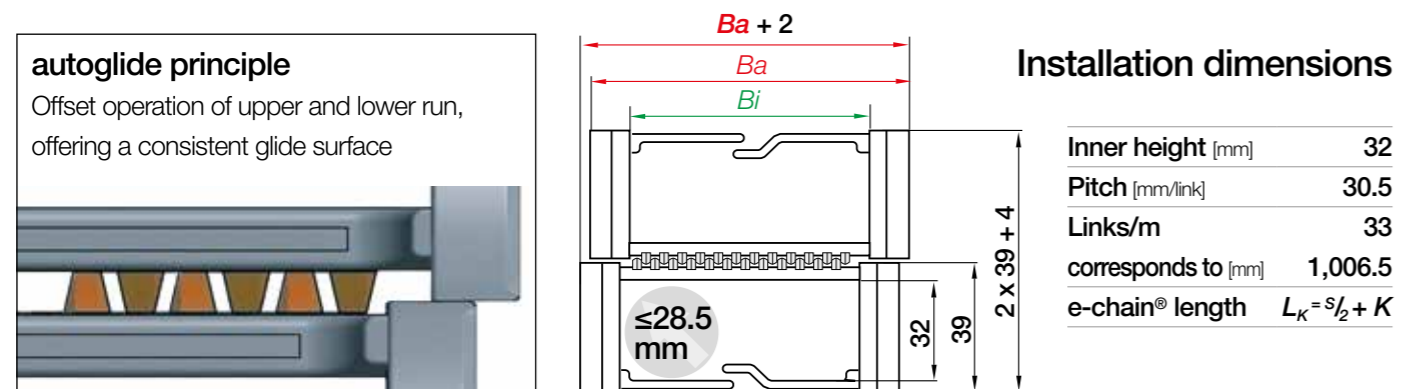


Series EA16 | "easy" design - split crossbar along the outer radius

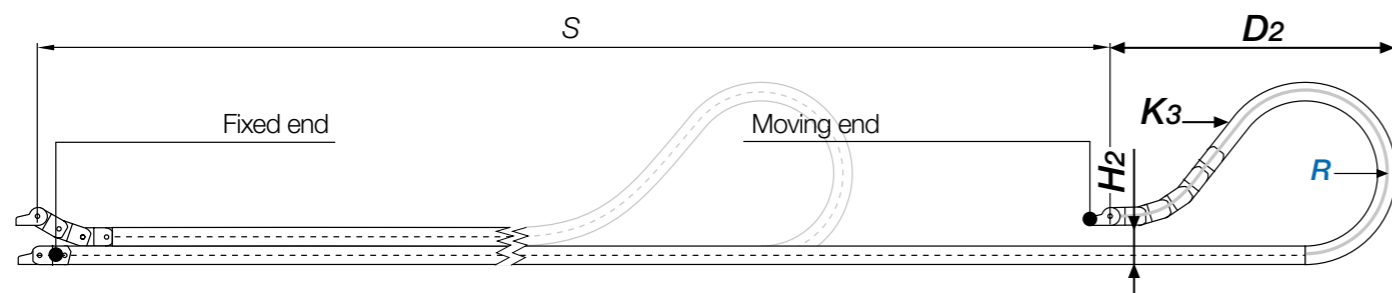
Part No.	<i>Bi</i>	<i>Ba</i>	<i>R</i> Available bend radii	EA16
e-chains®	[mm]	[mm]	[mm]	[kg/m]
EA16. 4 .R.0.	48	60	065 075 100	≈ 0.66

More widths upon request. Please consult igus® for delivery time.

Mounting brackets: full set incl. tie-wrap plates Part No. 117.4.12PZ, full set without tie-wrap plates Part No. 117.4.12P

Complete Part No. with required radius (*R*). Example: EA16.4.100.0

Gliding applications | Long travels up to max. 20m | Fill weight 0.4kg/m

**Note:** We recommend the project planning of such a system to be carried out by igus®.

<i>R</i>	065	075	100
H_2	100	100	100
D_1	325	355	570
K_3	702	763	1,251

"easy" design along outer radius, autoglide crossbars along inner radius

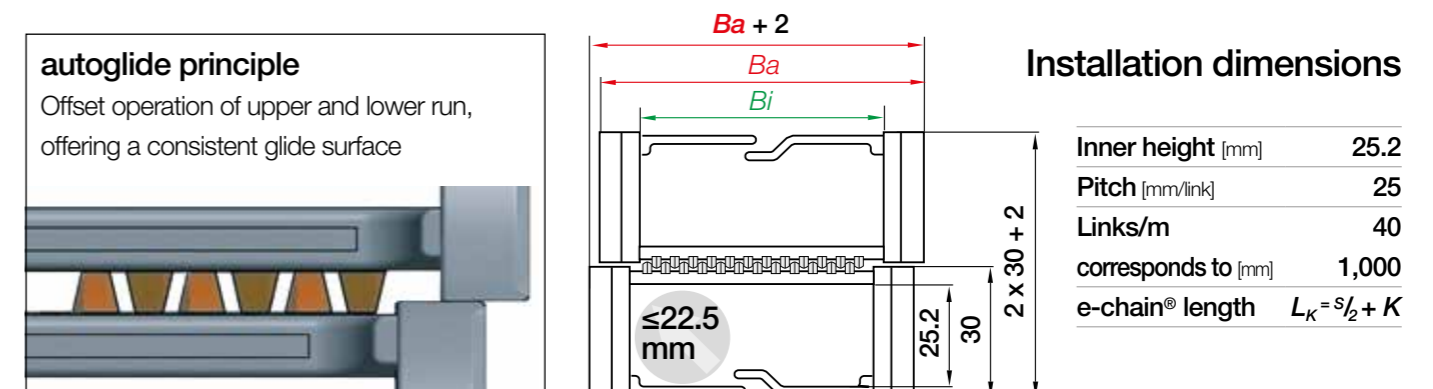


Series EA25 | "easy" design - split crossbar along the outer radius

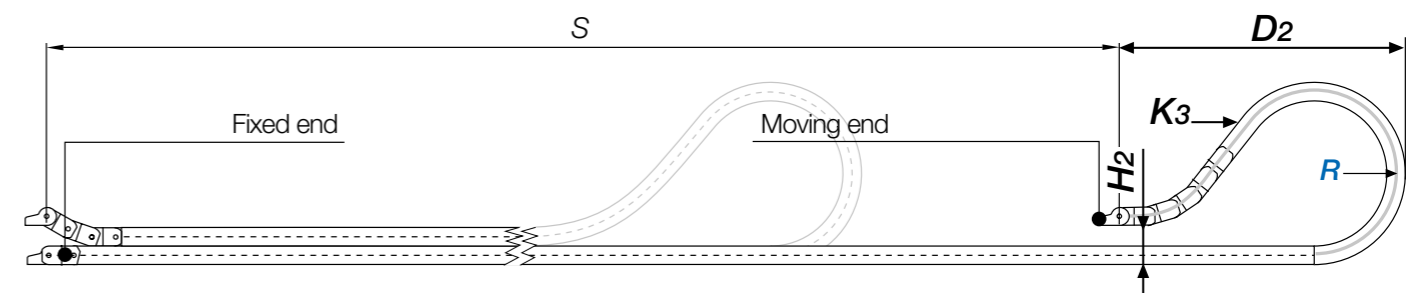
Part No.	<i>Bi</i>	<i>Ba</i>	<i>R</i> Available bend radii	EA25
e-chains®	[mm]	[mm]	[mm]	[kg/m]
EA25. 050 .R.0.	50	60	075 100	≈ 0.49

More widths upon request. Please consult igus® for delivery time.

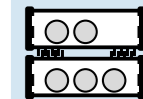
Mounting brackets: full set incl. tie-wrap plates Part No. EA25.050.12PZB, full set without tie-wrap plates Part No. EA25.050.12PZ

Complete Part No. with required radius (*R*). Example: EA25.050.100.0

Gliding applications | Long travels up to max. 20m | Fill weight 0.4kg/m

**Note:** We recommend the project planning of such a system to be carried out by igus®.

<i>R</i>	075	100
H_2	100	100
D_1	330	330
K_3	750	1,125

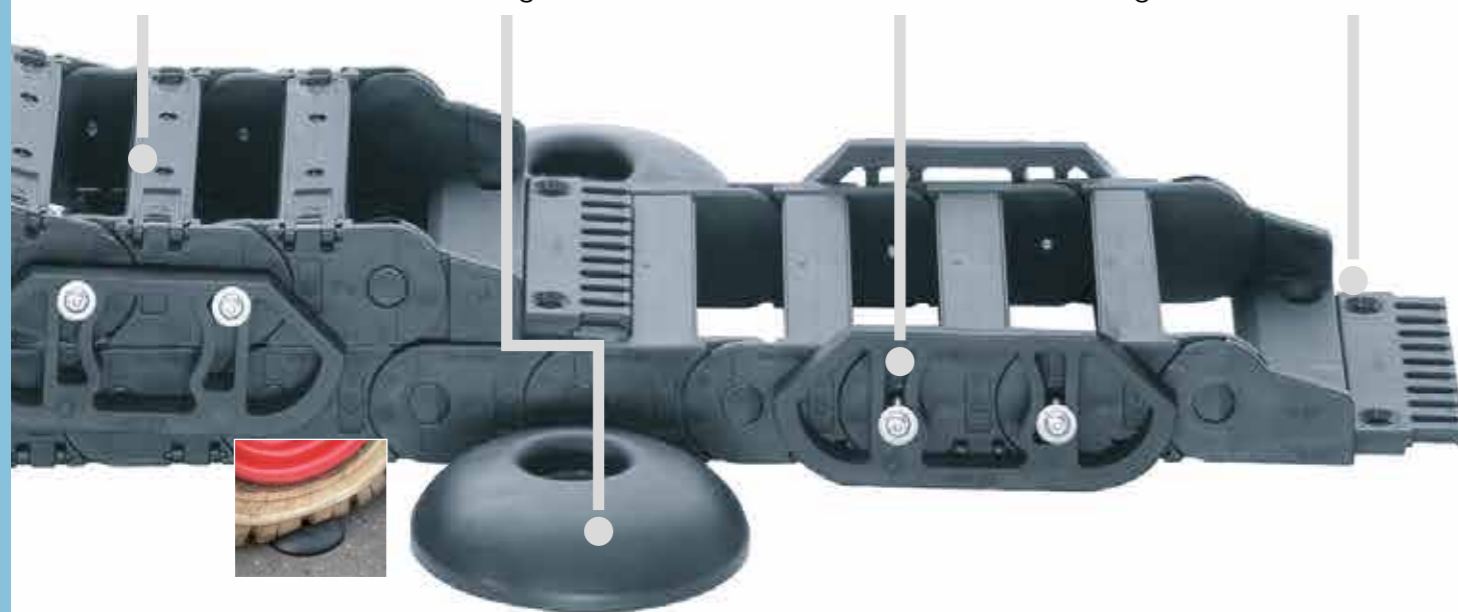


Easy to install:
openable along
the outer radius

Practical:
traversable
floor guides

Safely on track:
assembled glide wing
holds the e-chain®

Universal:
mounting bracket with
integrated strain relief



Special glide shoes provide a safe guiding for the E2/000 - autoglide version 04

In this version, special plastic glide shoes are fitted to the sides of the e-chain® links every 1-2m. The function of these gliding shoes resembles the leeboards used on sail boats. The glide shoes pivot upwards to enable the constant travel. They provide the precise lateral guidance and a smooth gliding of the e-chain®. The glide shoes are assembled every 24th e-chain® link from the moving end. Up to 10m length without floor guides is possible in the series 2400/2450/2480/2500.

- Reliable and precise guidance due to special plastic glide shoes
- Long travels with easier filling
- Provides precise lateral guidance and a smooth gliding of the e-chain®
- Easy to install - openable along the outer radius




Typical industries and applications

- Industrial vehicles ● Long travels with easier filling ● Simple outdoor applications


 Find a video online
▶ www.igus.eu/AG_Film

 Available from stock. **Ready to ship in 24 - 48hrs.***
*The delivery times indicated correspond to the average time until the ordered goods are dispatched.

Technical data

 Speed gliding	≤ 0.5 [m/s]
Acceleration gliding	≤ 1.0 [m/s ²]
 Material - permitted temperature °C, igumid G	-40°C / +120°C
 Flammability class, igumid G	VDE 0304 IIC UL94-HB

Order example | Order key


 Order example for complete e-chain® (10.0m), colour black, with mounting brackets and interior separation:

e-chain® (10m)	Please indicate e-chain® length*: 10m or 209 links	2500.05.150.0
e-chain® + Glide wing	Module, containing 4 e-chain® links and 2 glide wings	2500.05.150.0.AG
+ Floor guides	8 pieces (2 units every 2m from the half of the travel)	AG.380.BF

Order text: **10 m 2500.05.150.0 + 10 X 2500.05.150.0.AG**

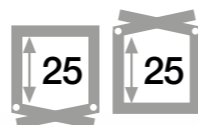
*Length= number of links in the assembly must still be deducted = 209 links(optional: mounting bracket and interior separation)

Note: the lateral glide wings are assembled on every 24th e-chain® link

 Order key
2500.05.150.0.AG



Special glide shoes provide secure guidance



- e-chains® | Series 2400 | Openable along the inner radius
- e-chains® | Series 2500 | Openable along outer radius
- Half e-tubes | Series 2450 | Openable along the inner radius, closed along outer radius
- Full e-tubes | Series 2480 | Openable along the inner radius, fully enclosed

Part No.	<i>Bi</i>	<i>Ba</i>	<i>R</i> Available bend radii	Floor guide*
e-chains® / e-tubes	[mm]	[mm]	[mm]	
2400/2500/2450/2480.05 .R.0.AG	57	73	055* 075 100 125 150 175 200 225 250	AG.380.BF
2400/2500/2450/2480.07 .R.0.AG	77	93	055* 075 100 125 150 175 200 225 250	AG.380.BF
2400/2500/2450/2480.09 .R.0.AG	89	105	055* 075 100 125 150 175 200 225 250	AG.380.BF
2400/2500/2450/2480.10 .R.0.AG	103	119	055* 075 100 125 150 175 200 225 250	AG.380.BF
2400/2500/2450/2480.12 .R.0.AG	125	141	055* 075 100 125 150 175 200 225 250	AG.380.BF

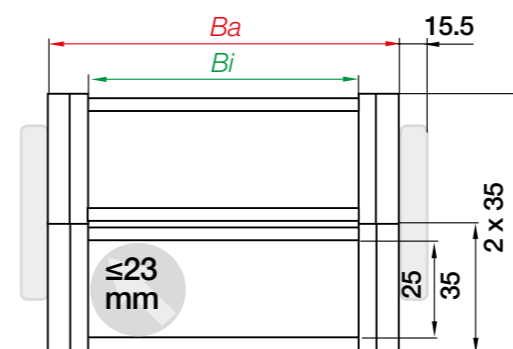
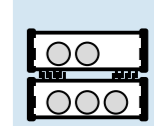
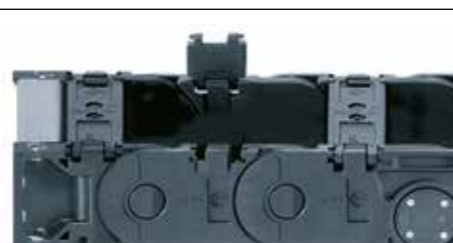
*Radius for series 2450/2480 available upon request. Please consult igus® for delivery time. *Part No. of individual part

Complete Part No. with required radius (*R*). Example: 2500.05.150.0.AG

E2/000 rol e-chain® - energy-efficient and cost-effective

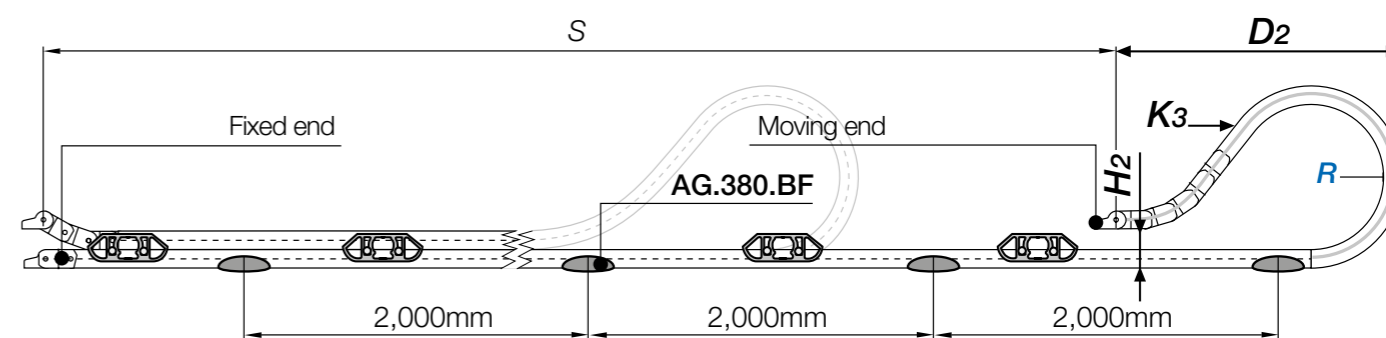
- Required drive power is reduced up to 75% while increasing the service life of the e-chain®
- Travels up to 150m, max. rolling speed up to 4m/s
- Available as cost-effective ready-to-fit harnessed system with many accessories

More information ► From page 1160



Inner height [mm]	25
Pitch [mm/link]	46
Links/m	22
corresponds to [mm]	1,012
e-chain® length $L_K = S/2 + K$	

Gliding applications | Long travels up to max. 20m | Fill weight 1.6kg/m



The lateral glide wings are assembled on every 24th e-chain® link.

Note: We recommend the project planning of such a system to be carried out by igus®.

In case of travels under 3.0m we recommend an unsupported e-chain®.

<i>R</i>	055*	075	100	125	150	175	200	225	250
<i>H</i> ₂	110	150	100	100	100	100	100	100	100
<i>D</i> ₂ ⁺²⁵	142	162	380	440	590	755	950	1,040	1,130
<i>K</i> ₃	506	598	920	1,058	1,426	1,794	2,208	2,438	2,668

*Radius for series 2450/2480 available upon request. Please consult igus® for delivery time.

Accessories | More information ► www.igus.eu/autoglide



Optimised, cable-friendly interior separation



Pivoting mounting brackets - recommended for gliding applications



KMA mounting bracket with attachment from any side



Special glide shoes provide secure guidance



Picture shows 2700

- | | | |
|--------------|-------------|--|
| e-chains® | Series 2600 | Openable along the inner radius |
| e-chains® | Series 2700 | Openable along outer radius |
| Half e-tubes | Series 2650 | Openable along the inner radius, closed along outer radius |
| Full e-tubes | Series 2680 | Openable along the inner radius, fully enclosed |

Part No.	<i>Bi</i>	<i>Ba</i>	<i>R</i> Available bend radii	Floor guide*
e-chains® / e-tubes	[mm]	[mm]	[mm]	
2600/2700/2650/2680.05 .R.0.AG	50	66	075* 100 125 150 175 200 250	AG.380.BF
2600/2700/2650/2680.06 .R.0.AG	65	81	075* 100 125 150 175 200 250	AG.380.BF
2600/2700/2650/2680.07 .R.0.AG	75	91	075* 100 125 150 175 200 250	AG.380.BF
2600/2700/2650/2680.09 .R.0.AG	90	106	075* 100 125 150 175 200 250	AG.380.BF
2600/2700/2650/2680.10 .R.0.AG	100	116	075* 100 125 150 175 200 250	AG.380.BF
2600/2700/2650/2680.12 .R.0.AG	125	141	075* 100 125 150 175 200 250	AG.380.BF
2600/2700/2650/2680.15 .R.0.AG	150	166	075* 100 125 150 175 200 250	AG.380.BF
2600/2700/2650/2680.17 .R.0.AG	175	194	075* 100 125 150 175 200 250	AG.380.BF

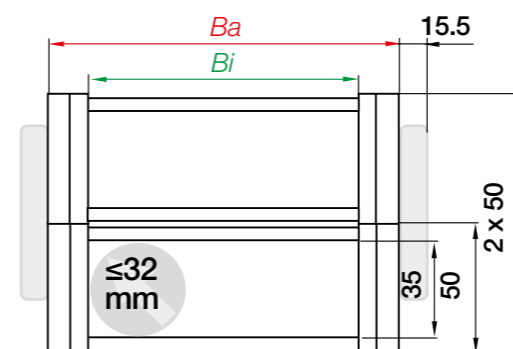
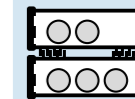
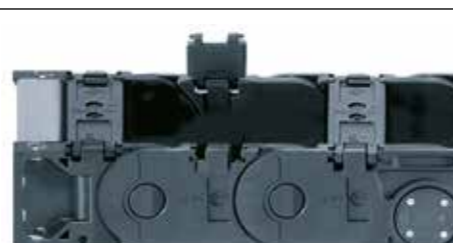
*Radius for series 2650/2680 available upon request. Please consult igus® for delivery time. *Part No. of individual part

Complete Part No. with required radius (*R*). Example: 2600.05.100.0.AG

E2/000 rol e-chain® - energy-efficient and cost-effective

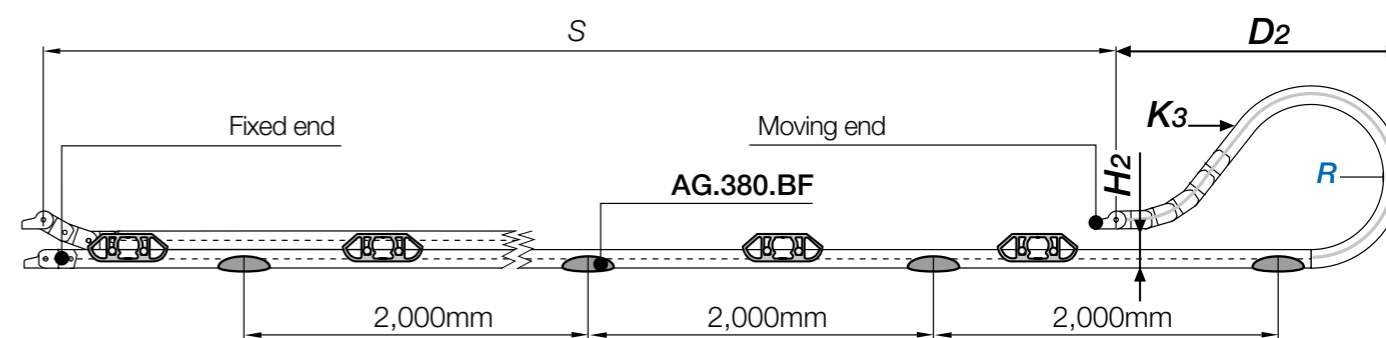
- Required drive power is reduced up to 75% while increasing the service life of the e-chain®
- Travels up to 150m, max. rolling speed up to 4m/s
- Available as cost-effective ready-to-fit harnessed system with many accessories

More information ► From page 1160



Inner height [mm]	35
Pitch [mm/link]	56
Links/m	18
corresponds to [mm]	1,008
e-chain® length $L_K = S/2 + K$	

Gliding applications | Long travels up to max. 30m | Fill weight 2.0kg/m



The lateral glide wings are assembled on every 24th e-chain® link

Note: We recommend the project planning of such a system to be carried out by igus®.

In case of travels under 3.0m we recommend an unsupported e-chain®.

<i>R</i>	075*	100	125	150	175	200	250
<i>H</i> ₂	150	166	166	166	166	166	166
<i>D</i> ₂	150	350	475	500	655	770	950
<i>K</i> ₃	616	840	1,120	1,232	1,568	1,848	2,296

*Radius for series 2650/2680 available upon request. Please consult igus® for delivery time.

Accessories | More information ► www.igus.eu/autoglide



Optimised, cable-friendly interior separation



Pivoting mounting brackets - recommended for gliding applications



KMA mounting bracket with attachment from any side