

Lets light and dirt through - tubular trough system RS

igus® tubular troughs are simple and open options to safely guide e-chains®. Recommended for less demanding applications and applications with travel speeds less than 2m/s, as well as travel distances less than 50m.

- For application areas where dirt, chips occur - the waste simply fall through the spaces
- Elegant design and very easy assembly
- In the case of low mechanical loads
- No difficult setting of the correct width - the fitting spacers are delivered with the complete order
- The tubes are available in galvanised steel or polymer
- Very easy assembly - the elements are pushed together and clipped in

Typical industries and applications

- For application areas with dirt or chips



Part No. without glide bars	Part No. with glide bars	For e-chain® Series	H _{Ra} [mm]	Page
92.70.	92.71.	E2.26 ● 2500 ● 255	90	1382
93.70.	93.71.	E2.48 ● 3500	146	1383
95.70.	95.71.	E2.38 ● 2700	126.3	1384

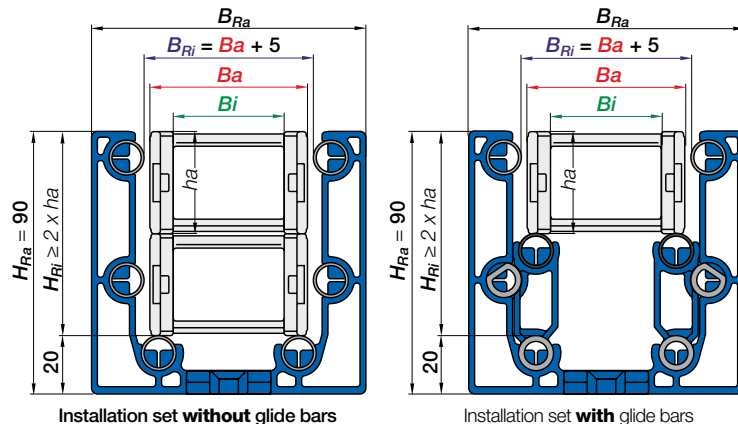


Tubular trough system RS
lets light and dirt through

Available from stock. Ready to ship in 24 - 48hrs.*
*Average time before the ordered goods are dispatched.

For the following igus® series

- E2.1**
- E2.26
 - E2/000**
 - 2500
 - 255



For 1m trough without glide bars 6 tubes 1 metre long are required. For 1m trough with glide bars 4 tubes 1 metre long are required.

Installation dimensions

XXX	Bi	Ba	B _{Ra}	B _{Ri}
02*	25	41	81	45
03	38	54	94	58
05	57	73	113	77
07	77	93	133	97
09	89	105	145	109
10	103	119	159	123
12	125	141	181	145

*Spacer plate upon request
XXX = Width index

Tubular trough | Components

Individual parts	Part No.	Weight
Installation set without glide bars	92.70.XXX	≈ 0.15kg
Installation set with glide bars	92.71.XXX	≈ 0.12kg
Installation set junction	92.74.XXX	
Fastening set	92.77.2	
Tubular steel, diameter ø 12 x 1 galvanised (L = 985 for clearance installation set 1m)	92.80	≈ 0.28kg

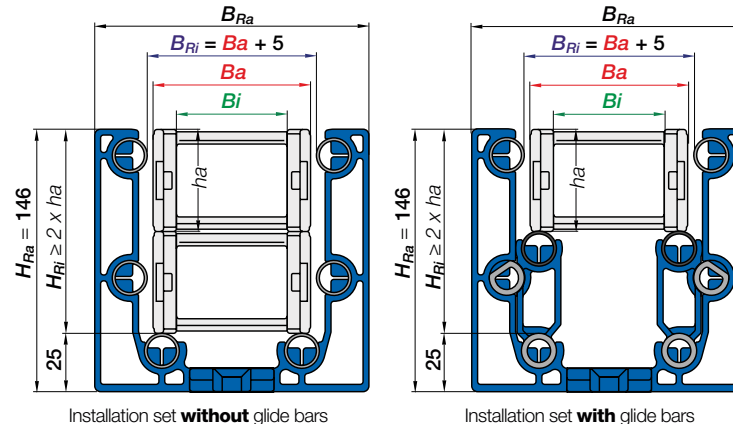
Please add the width index XXX. Example: 92.71.05

Order example: e-chain® inner width 57mm.
For 8m trough the following parts are required:

Area with glide bar:	4 x installation set +	92.71.050
	Tube: 4 x 4 piece	92.80
Area without glide bar	4 x installation set +	92.70.050
	Tube: 4 x 6 piece	92.80
Transition from area without glide bar to area with glide bar	1 x installation set junction	92.74.05

For the following igus® series

- E2.1**
- E2.48
 - E2/000**
 - 3500



For 1m trough without glide bars 6 tubes 1 metre long are required. For 1m trough with glide bars 4 tubes 1 metre long are required.

Tubular trough | Components

Individual parts	Part No.	Weight
Installation set without glide bars	93.70.XXX	≈ 0.25kg
Installation set with glide bars	93.71.XXX	≈ 0.20kg
Installation set junction	93.74.XXX	
Fastening set	92.77.2	
Tubular steel, diameter ø 15 x 1 galvanised (L = 985 for clearance installation set 1m)	93.80	≈ 0.50kg

Please add the width index XXX. Example: 93.71.050


Order example: e-chain® inner width 50mm.
For 8m trough the following parts are required:

Area with glide bar:	4 x installation set +	93.71.050
	Tube: 4 x 4 piece	93.80
Area without glide bar	4 x installation set +	93.70.050
	Tube: 4 x 6 piece	93.80
Transition from area without glide bar to area with glide bar	1 x installation set junction	93.74.050

Installation dimensions

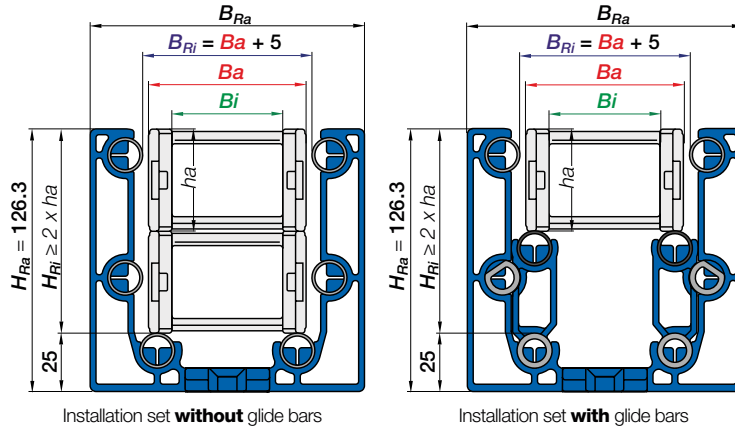
XXX	Bi	Ba	B _{Ra}	B _{Ri}
050	50	70	130	75
075	75	95	155	100
100	100	120	180	125
115	115	135	195	140
125	125	145	205	150
150	150	170	230	175
175	175	195	255	200
200	200	220	280	225
225	225	245	305	250
250	250	270	330	275

XXX = Width index

 For the following igus® series

- E2.1**
- E2.38
- E2/000**
- 2700

For 1m trough without glide bars 6 tubes 1 metre long are required. For 1m trough with glide bars 4 tubes 1 metre long are required.



Installation dimensions

XXX	Bi	Ba	B _{Ra}	B _{Ri}
05	50	66	124	71
06*	65	81	139	86
07	75	91	149	96
09*	90	106	164	111
10	100	116	174	121
12	125	141	199	146
15	150	166	224	171
17	175	194	252	199
20	200	219	277	224


*Spacer plate upon request

XXX = Width index

Tubular trough | Components

Individual parts	Part No.	Weight
Installation set without glide bars	95.70.XXX	≈ 0.21kg
Installation set with glide bars	95.71.XXX	≈ 0.17kg
Installation set junction	95.74.XXX	
Fastening set	92.77.2	
Tubular steel, diameter ø 15 x 1 galvanised (L = 985 for clearance installation set 1m)	93.80	≈ 0.50kg

Please add the width index XXX. Example: 95.71.05

 **Order example: e-chain® inner width 50mm.**
For 8m trough the following parts are required:

Area with glide bar:	4 x installation set +	95.71.050
	Tube: 4 x 4 piece	93.80
Area without glide bar	4 x installation set +	95.70.050
	Tube: 4 x 6 piece	93.80
Transition from area without glide bar to area with glide bar	1 x installation set junction	95.74.05

