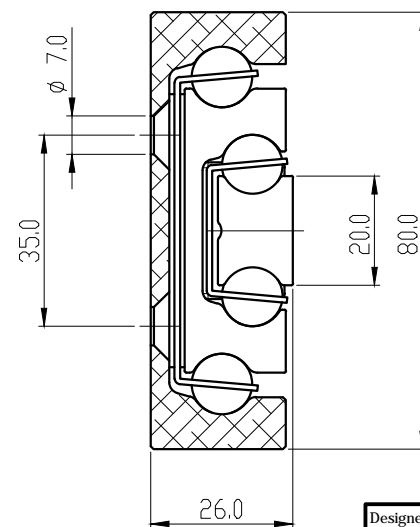
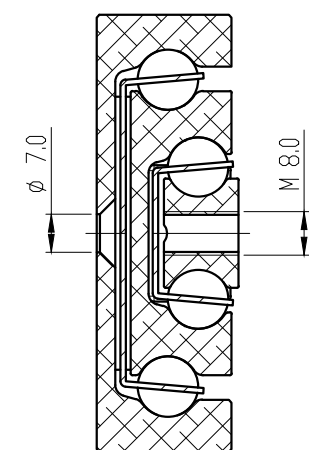


SECTION A-A
SCALE 1 : 1



SECTION B-B
SCALE 1 : 1



Configuration Table							
ART. NO	Installation Length "A"	Extension Length "B"	Load Per Pair (kg)	Drill Table			
				"C"	"D"	"E"	"F"
TR13880S01	300	285	250		185	150	292.5
TR13880S02	350	335	260		235	175	342.5
TR13880S03	400	385	270		285	200	392.5
TR13880S04	450	435	280		335	225	442.5
TR13880S05	500	485	300		285	250	492.5
TR13880S06	550	535	320	235	435	275	542.5
TR13880S07	600	585	330	260	485	300	592.5
TR13880S08	650	635	315	285	535	325	642.5
TR13880S09	700	685	300	310	585	350	692.5
TR13880S10	750	735	290	335	635	375	742.5
TR13880S11	800	785	280	360	685	400	792.5
TR13880S12	850	835	270	385	735	425	842.5
TR13880S13	900	885	260	410	785	450	892.5
TR13880S14	950	935	250	435	835	475	942.5
TR13880S15	1000	985	240	460	885	500	992.5

Designer	Gen.Tol.Dim. ± 0.5	Third angle projection	Material MILD STEEL	
Date 16-09-2014	Gen.Tol.Angle ± 0.5		Treatment ZINCPLATE	
Approver	Gen.Roughness Ra		Draw type	Doc.No.
Date	Units mm/deg.		Scale	Type

Description				
TR8026				
Format				Item No.
				TR78026
				Revision