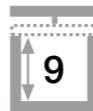


Fast opening, small pitch, smooth running

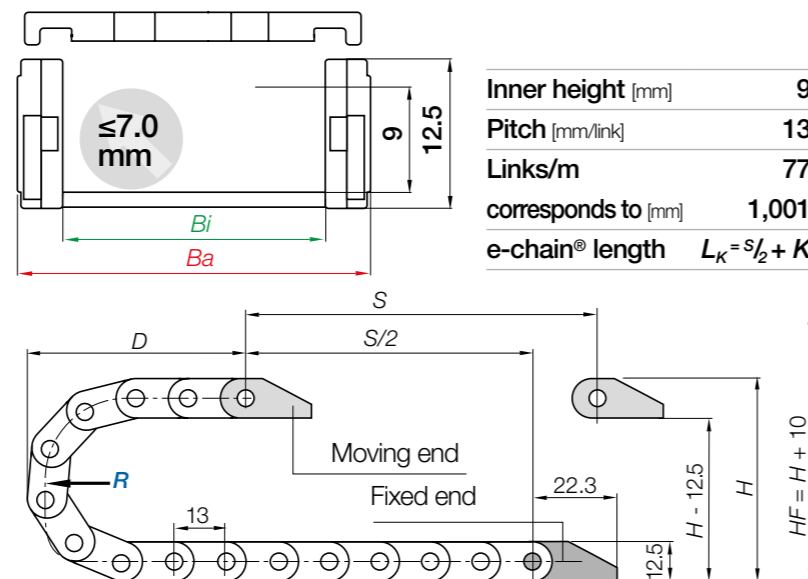
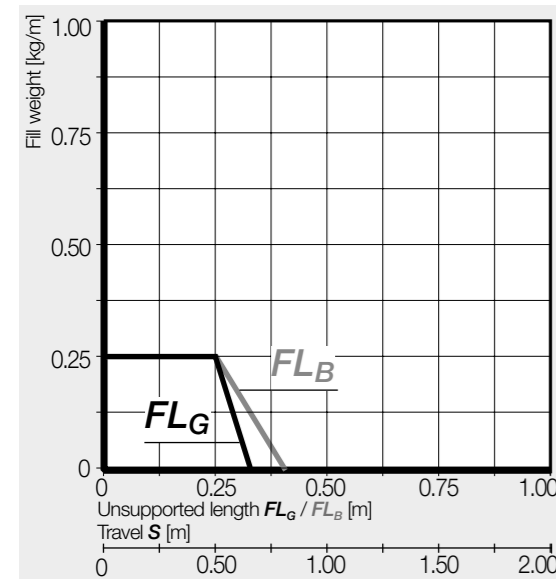


e-chains® | Series 047 | Crossbars on a strip - zip-open along the outer radius

Part No.	Bi	Ba	R Available bend radii	Weight
e-chains®	[mm]	[mm]	[mm]	[kg/m]
047.10.R.0	10	16	018 028 038	≈ 0.10
047.16.R.0	16	22	018 028 038	≈ 0.11

Complete Part No. with required radius (R). Example: 047.10.038.0

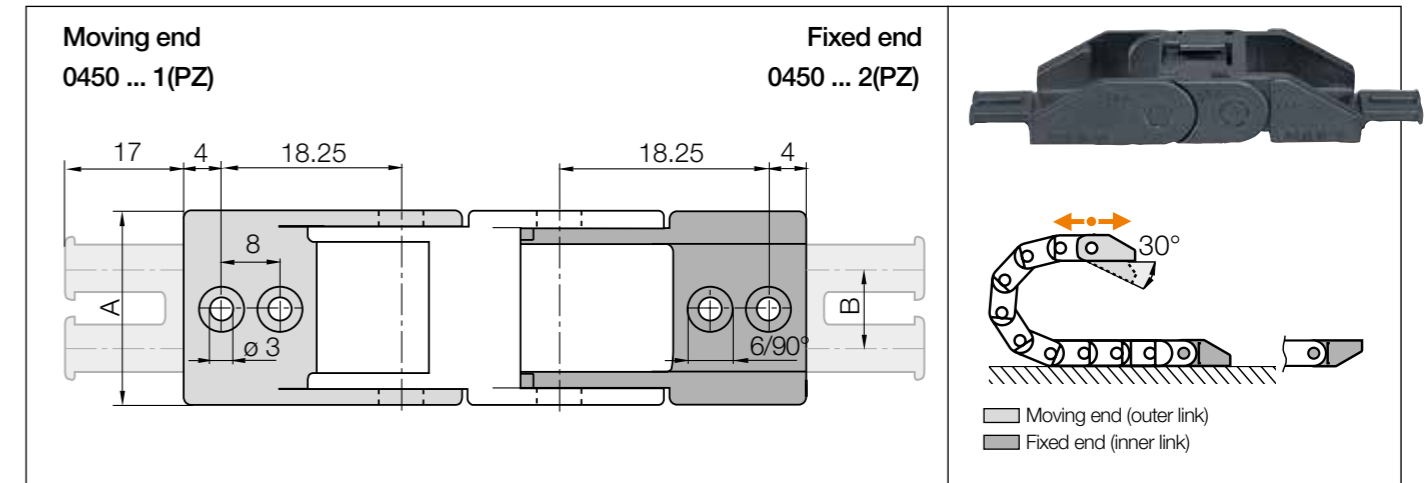
Installation dimensions



R	018	028	038
H	48.5	68.5	88.5
D	44	54	64
K	85	115	150

The required clearance height: $H_F = H + 10\text{mm}$ (with 0.2kg/m fill weight)

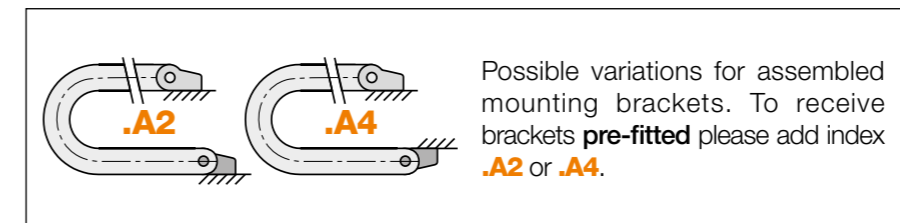
Mounting brackets, polymer one-piece | One end pivoting



Width index	Part No. full set with tiewrap plates	Part No. full set without tiewrap plates	A [mm]	B [mm]	Number of teeth
10. ►	0450.10.12PZ	0450.10.12	16	-	1
16. ►	0450.16.12PZ	0450.16.12	22	10	2

Mounting bracket with strain relief tiewrap plate has reductions of $\phi 3\text{mm} / \phi 6\text{mm } 90^\circ$

Mounting bracket without strain relief tiewrap plate only has holes of $\phi 3\text{mm}$



Possible variations for assembled mounting brackets. To receive brackets pre-fitted please add index .A2 or .A4.

0450.10.12PZ.A2 Order example
 .A... to indicate option with brackets pre-fitted
 With integrated strain relief tiewrap plates
 Full set
 Series