



APPLICATION:

This Visulex variant convinces through its small design and high resolution. With these standard cameras, the lens is fixed to the object observed

- Can be used for process observation in closed vessels, boilers, tanks, silos, agitators and reactors in non-explosion-proof areas.

Stainless steel housing with built-in colour CCD camera, 1/2.8", 0.08 lux light sensitivity at F2.2; 40 IRE

Suitable for round sightglasses according to DIN 28120/28121 or similar.

PROTECTION TYPE:

IP 65 to DIN EN 60529

AMBIENT TEMPERATURE:

+5°C bis +40°C

CONTROLL CABLE:

Network cable cat. 7 Flex, max. 60 m, 4x2xAWG 26

ELECTRICAL CONNECTION:

The electrical connection is made via the Cat 7 network cable supplied. The maximum cable length is 60m.

LENSES AND FOCAL LENGTH:

8 mm (39°); 6 mm (60°)
Minimum distance lens to object: 0.3 m

SPECIFICATION:

Image resolution max. 1920 x 1080 p/30

ILLUMINATION:

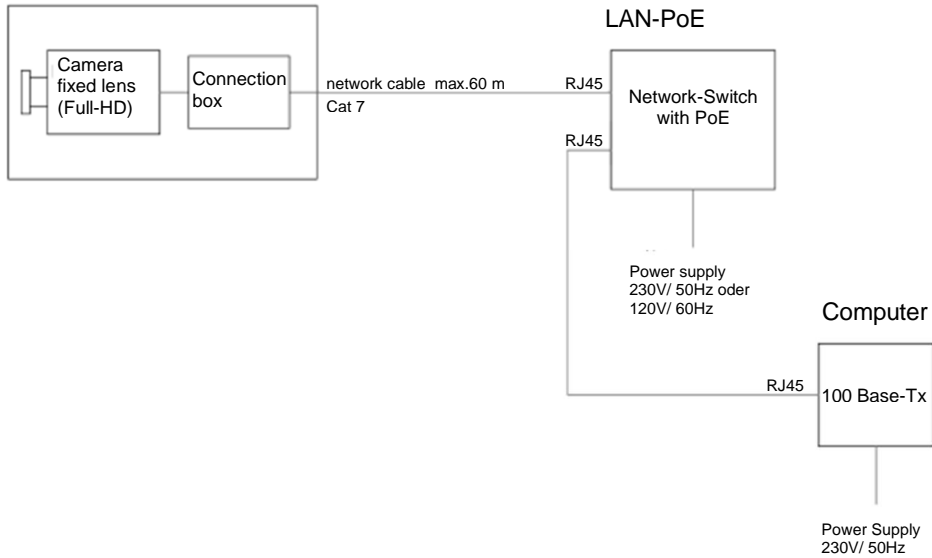
If the natural illumination of the object is not sufficient, an additional Lumistar luminaire can be fitted. (Depending on the size of the fitting) The process and the size of the reactor may require separate arrangement of light glass and camera glass must be tested, depending on the surface of the vessel, the medium and the angle of incidence. Care must be taken to ensure uniform illumination.

TECHNICAL DATA:

	Visulex Camera K15 HD
MOD (Min. Objekt Distance)	0,3 m
Image sensor	1/2,8" 2,0 MP
Resolution max.	1920 x 1080 p
Light sensitivity	~ 0,08 Lux bei F2,2; 40 IRE
Image transmission rate max.	30 fps
Video compression	H.264, H.265, (+), MJPEG
Focal length	8mm (39°); 5,4 mm (60°)
Network protocols	TCP/IP, UDP, IPv4, IPv6, HTTP, HTTPS, FTP, RTP, UPNP, RTSP, RTCP, DHCP, OpenVPN
Power supply	PoE IEEE 802.3af
ONVIF	ONVIF Profile S
Web Browser	MS Internet Explorer, Safari*, Mozilla*, Google Chrome*, Edge* (*Setup eingeschränkt)

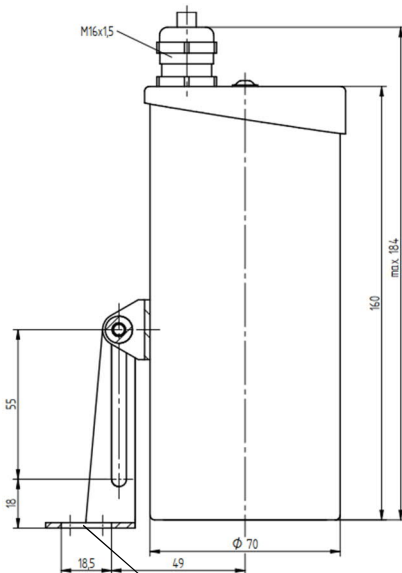
Power supply	Nominal power	Max. Cable length	Lenses	Addition	Part-no
PoE IEEE 802.3af	5 W	60 m	8mm (39°); 6 mm (60°)		2345.300003
PoE IEEE 802.3af	5 W	60 m	8mm (39°); 6 mm (60°)	With cooling jacket	2345.300002

Housing K 15 HD



MOUNTING:

Comparable to the internationally proven Lumiglas luminaires, the camera is attached to the cover flange of a round sightglass fitting (DIN 28120 or similar) via the stainless steel bracket (hinged bracket 1.4301) supplied.



Hexagon socket head cap screw
DIN 7984-M6x12-A2

Material:

Camera body	Stainless steel
Glass	Borosilicate
Fastening parts	Stainless steel

Additional equipment

Additional equipment	Part-no
39° lens	4502.300002
60° lens	4502.300003
PoE switch	4355.300001
Power supply unit PoE	4330.002.00
Software	6130.300001

ORDER DATA (EXAMPLE):

Part-no 2345.300003 Visulex Camera K 15 HD; 60°lens; 60m Network cable