



# Multi-channel flat jet nozzles for air Whisperblast®, metallic versions Series 600.606.42

**NEW**

## Series 600.606.42

The multi-channel flat jet nozzles of the 600.606 series are made of aluminum and are capable of withstanding significantly higher thermal and mechanical loads than comparable air nozzles made of plastic. In addition, the blowing force also increases at higher air pressures, making this series suitable for demanding applications.



\* Complies with OSHA requirements on noise level



**Cost savings**

**21 %**



**Noise reduction**

**18 %**



**Material**  
Aluminum



**Blowing force**  
1.4 N bei 2 bar



**Noise level**  
68.5 db(A) at 2 bar



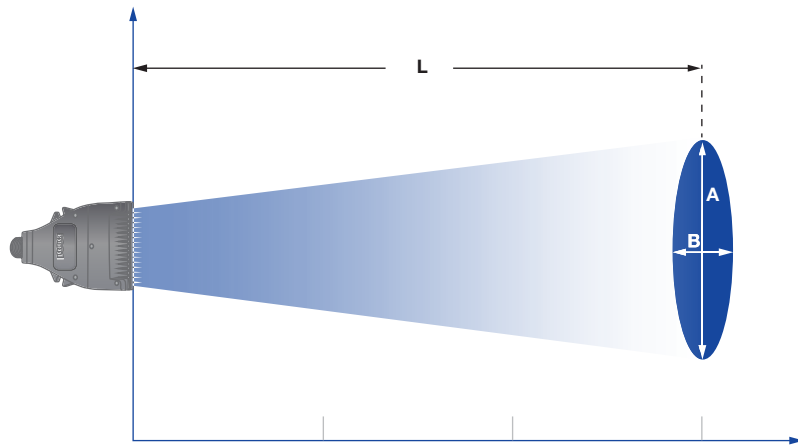
**Air consumption**  
 $V_{LN} = 12 \text{ m}^3/\text{h}$  at 2 bar



**Pressure**  
 $p_{max} = 10 \text{ bar}$



**Max. temperature**  
200 °C

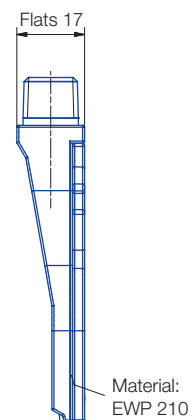
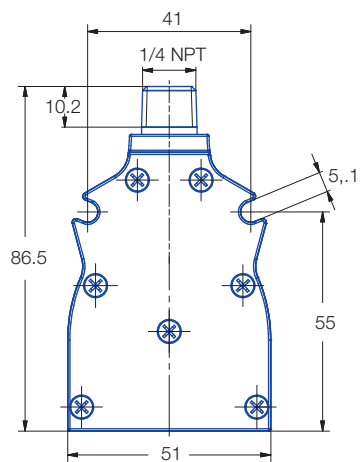
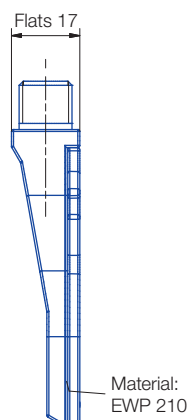
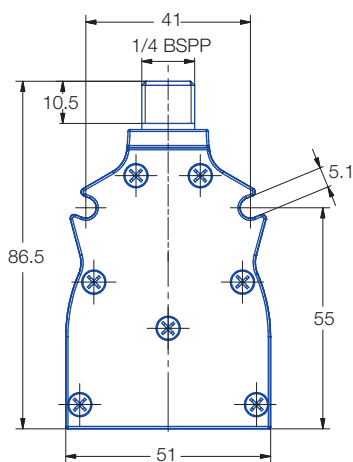


Jet pattern of 600.606 nozzle series

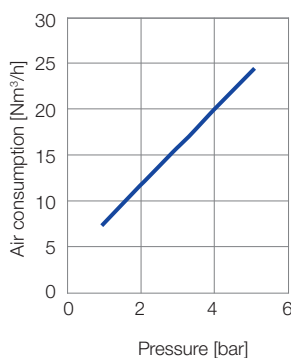
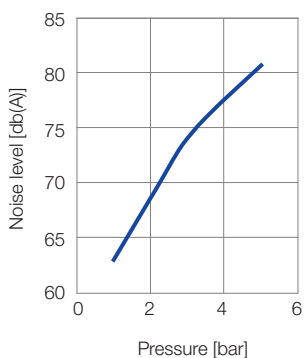
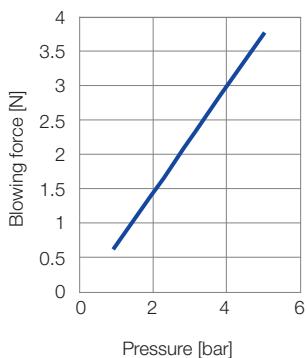
Pressure:	1 bar	3 bar	5 bar
Distance L [mm]:	625	900	925

Jet dimensions at L

A [mm]:	145	210	210
B [mm]:	125	185	225



**Technical data**



Ordering no.			
Type	Mat. no.	Code	
	Aluminum	1/4 BSPP	1/4 NPT
600.606	○	AC	BC

Example of ordering: **Type** + **Mat. no.** + **Code** = **Ordering no.**  
 600.606. + 42 + AC = 600.606.42.AC