

Low pressure tongue-type nozzles

Series 688/689

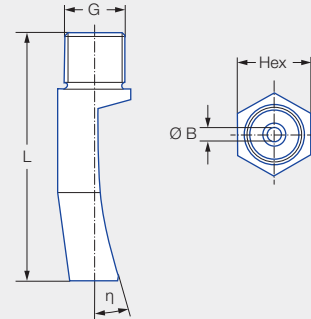
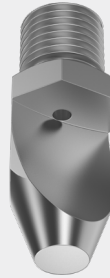


Features:

- Narrowly delimited, powerful flat fan spray
- Non-clogging

Applications:

- Cleaning processes
- Washing processes
- Degreasing installations
- Phosphating installations
- Preparation techniques



Series 688/689

Type	Code	G	Dimensions [mm]		Weight [g]
			L	Hex	
688.763	CE	3/8 BSPT	43.0	19	114.0 (Stainless steel 303)
688.843	CE	3/8 BSPT	50.0	19	133.0 (Stainless steel 303)
688.923	CE	3/8 BSPT	59.0	22	247.0 (Stainless steel 303)
689.003	90	3/4 BSPP	80.0	32/24	306.0/33.0 (Stainless steel 303/PVDF)

Spray angle	η	Ordering no.				Bore diameter B [mm]	V̇ water [l/min]				Spray width B [mm] (at p = 2 bar)		
		Mat. no.		Code			p [bar]						
		16	5E				0.5	1.0	2.0	5.0			
		Type	Stainless steel 303	PVDF	3/8 BSPT	3/4 BSPP							
45°	35°	688.763	●		CE		3.00	4.00	5.66	8.00	12.65	220	420
	30°	688.843	●		CE		3.80	6.25	8.84	12.50	19.76	220	420
	29°	688.923	●		CE		4.80	10.00	14.14	20.00	31.62	220	430
	35°	689.003	●	●		90	6.00	15.75	22.27	31.50	49.81	220	430

Conversion formula for this series: $\dot{V}_2 = \dot{V}_1 \cdot \sqrt{\frac{p_2}{p_1}}$

Ordering Type + Material no. + Code = Ordering no.
example: 688.763 + 16 + CE = 688.763.16.CE



Assembly accessories can be found in Chapter 9 "Accessories".