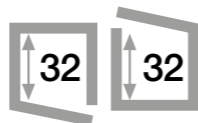


Openable along the inner or outer radius



e-chains® | Series B17i | Openable along the inner radius, from one side
 e-chains® | Series B17 | Openable along the outer radius, from one side

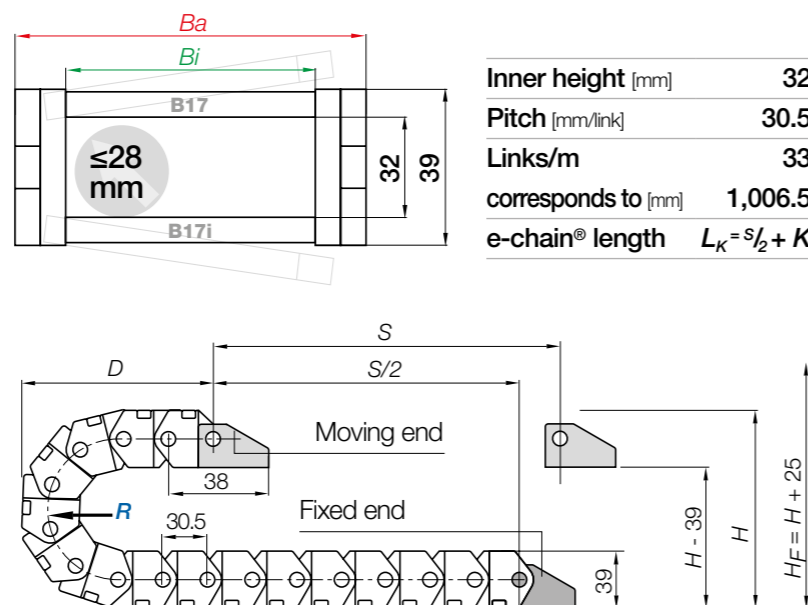
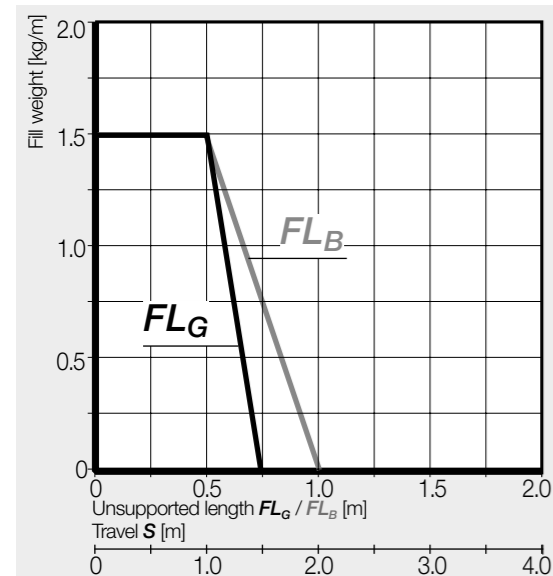
Part No. e-chains® openable along inner radius	Part No. e-chains® openable along outer radius	Bi [mm]	Ba [mm]	R Available bend radii [mm]	Weight [kg/m]
-	B17.1.R.0	15	25.5	048 063 075 100 125	≈ 0.52
B17i.2.R.0	B17.2.R.0	25	35.5	048 063* 075* 100* 125*	≈ 0.59
B17i.3.R.0	B17.3.R.0	38	48.5	048 063 075 100 125	≈ 0.65
B17i.4.R.0	B17.4.R.0	50	60.5	048 063 075 100 125	≈ 0.70
B17i.5.R.0	B17.5.R.0	63	76	048 063 075 100 125	≈ 0.83
-	B17.6.R.0	80	93	048 063 075 100 125	≈ 0.92
-	B17.7.R.0	100	113	048 063 075 100 125	≈ 1.06

*Radii for B17i.2. not available

© RBR version (Reverse Bend Radius), some radii available from stock. More information ▶ From page 130

Complete Part No. with required radius (R). Example: B17.2.048.0

Installation dimensions

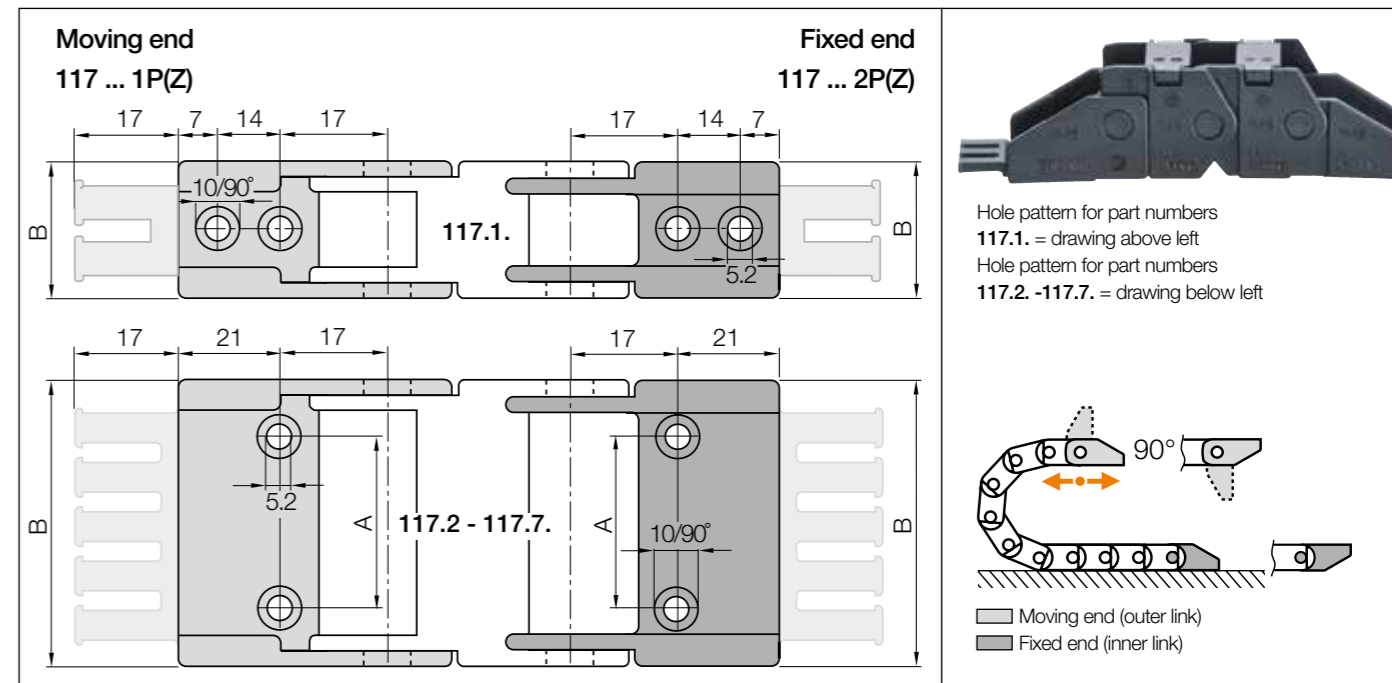


R	048	063*	075*	100*	125*
H	135	165	189	239	289
D	113	128	140	165	190
K	215	260	300	380	455

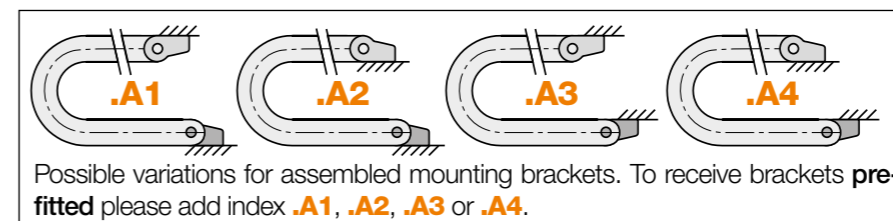
The required clearance height: $H_F = H + 25\text{mm}$ (with 1.5kg/m fill weight)

*Radii for B17i.2. not available

Mounting brackets, polymer one-piece | Locking



Width index	Part No. full set with tiewrap plates	Part No. full set without tiewrap plates	A [mm]	B [mm]	Number of teeth
1. ▶	117.1.12PZ	117.1.12P	-	25.5	2
2. ▶	117.2.12PZ	117.2.12P	12	35.5	3
3. ▶	117.3.12PZ	117.3.12P	25	48.5	4
4. ▶	117.4.12PZ	117.4.12P	37	60.5	5
5. ▶	117.5.12PZ	117.5.12P	48	76.0	6
6. ▶	117.6.12PZ	117.6.12P	65	93.0	8
7. ▶	117.7.12PZ	117.7.12P	85	113	10



117.2.12PZ.A1 Order example
 .A... to indicate option with brackets pre-fitted
 With integrated strain relief tiewrap plates
 Full set
 Series

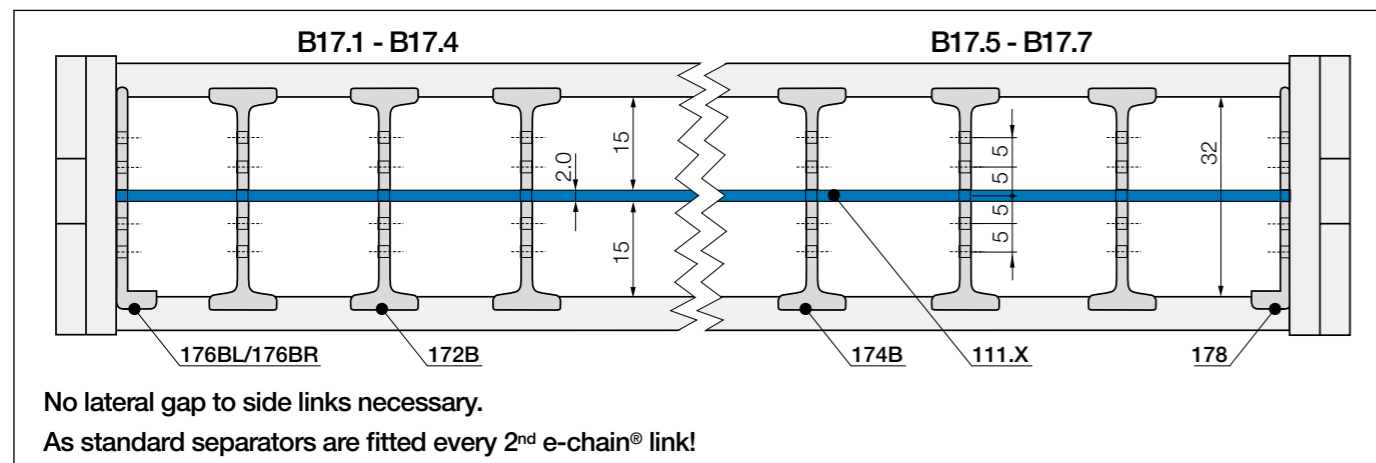
Rotating energy supply systems with Reverse Bend Radius (RBR) - some radii available from stock

- Maximum rotation angle in minimal installation space
- Minimal friction forces and maximum service life
- Short delivery times from stock

More information and the complete product range ▶ From page 130



Interior separation



		Slotted separator unassembled 171B assembled 172B
--	--	--

For width index B17.1 up to B17.4

Slotted separator

Vertical separation. The slot allows basic vertical/horizontal shelving arrangements.

		Slotted side plate, left unassembled 175BL assembled 176BL
--	--	---

Slotted side plate, left (from B17.2)

Allows modular shelving right up to the side links. No clearance required!

		Slotted side plate, right unassembled 175BR assembled 176BR
--	--	--

Slotted side plate, right (from B17.2)

Allows modular shelving right up to the side links. No clearance required!

		Slotted separator unassembled 173B assembled 174B
--	--	--

For width index B17.5 up to B17.7

Slotted separator

Vertical separation. The slot allows basic vertical/horizontal shelving arrangements.

		Slotted side plate unassembled 177 assembled 178
--	--	---

Slotted side plate

Allows modular shelving right up to the side links. No clearance required!

		Full-width shelf for e-chains® unassembled 110.X assembled 111.X
--	--	---

For all widths

Full-width shelf

This option is for applications with many small cables with similar diameters. For full-width separation.

Full-width shelves Width = X [mm]	X [mm]	unassembled	assembled	X [mm]	unassembled	assembled	X [mm]	unassembled	assembled
		015	110.15	111.15	050	110.50	111.50	100	110.100
	025	110.25	111.25	063	110.63	111.63			
	038	110.38	111.38	080	110.80	111.80			



Five E2 mini chains installed above one another and side by side. The bend radii are exactly matched to each other