

BBS/TFE

STAINLESS STEEL-BALL VALVE WITH FLANGES

DN 15-150 | PN 16-40

FULL BORE

INFORMATION

Ball Valve with flanges

/// Length face-to-face: DIN EN 558 FTF27

/// Mounting holes included

/// The lever with locking device is included in the scope of delivery

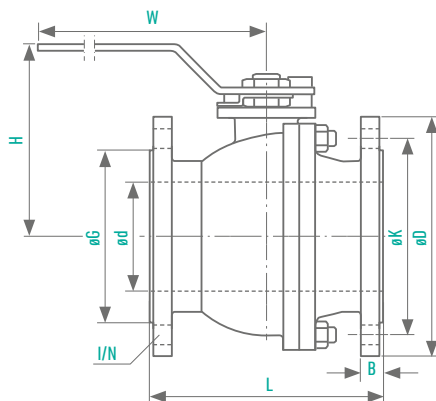
/// Anti-Static-Version (up to DN 100)

MATERIALS

Body	Stainless steel
Ball	Stainless steel
Sealings	PTFE
Stem	Stainless steel
Stem retainer	Stainless steel
O-Rings	FPM

OPTIONS

/// Special designs on request



ød [mm]	PN [bar]	ISO 5211 U x V x R	L (DIN 3202) F4 F5		øD [mm]	øK [mm]	øG [mm]	B [mm]	I/N [mm]	H [mm]	W [mm]	Weight [kg]	Order Number
15	40	4xø42xM5	115	-	95	65	45	16	4xø14	65	123	2,1	0410500
20	40	4xø42xM5	120	-	105	75	58	18	4xø14	68	123	2,9	0410501
25	40	4xø42xM6	125	-	115	85	68	18	4xø14	89	160	3,9	0410502
32	40	4xø42xM6	130	-	140	100	78	18	4xø18	95	160	5,7	0410503
38	40	4xø42xM8	140	-	150	110	88	18	4xø18	106	202	6,9	0410504
50	40	4xø42xM8	150	-	165	125	102	20	4xø18	114	202	9,2	0410505
65	16	4xø42xM8	170	-	185	145	122	18	4xø18	128	245	12,5	0410506
80	16	4xø42xM10	180	-	200	160	138	20	8xø18	158	280	18	0410507
100	16	4xø42xM10	190	-	220	180	158	20	8xø18	173	320	23,5	0410508
125	16	4xø42xM12	-	325	250	210	188	22	8xø18	225	700	44,5	0410509
150	16	4xø42xM12	-	350	285	240	212	22	8xø22	270	800	51	0410510

Mounting holes:
See Data Sheet: „OPTIONS“

