



# E2 mini

## Small and medium sizes



### Advantages of the E2 mini series:

- If a small, but extremely strong e-chain® is required
- Quiet operation due to small pitch
- For highly dynamic applications
- Variety of options - E2 mini as non-openable or openable along the inner or outer radius



### When to use another e-chain® series:

- When openable crossbars are required
  - ▶ E2.1 micro, page 334
  - ▶ zipper, page 240
- When easy filling with connectorised cables is required
  - ▶ easy chain®, page 212

Universal connection: mounting bracket with integrated strain relief

Space-saving: small inner heights and bend radii

Smooth Design: dirt-repellent outer contour

Smooth running: small pitch for low-noise, smooth running

Flexible use: one-piece e-chains®, openable along the inner radius with film hinge (series 14/F17)

Flexible use: two-piece e-chains®, openable along the outer radius (series B15/B17)

Flexible use: two-piece e-chains®, openable along the inner radius (series B15i/B17i)

Flexible use: one-piece e-chains®, non-openable (series 10/11.031/11.080/11.1/11.)

## Small and medium sizes - E2 mini

E2 mini are small one- or two-piece e-chains®, recommended for highly dynamic applications. igus® also offers a range of accessories and fixation options. Upgrades to openable versions are available for many types. Different types are interchangeable and can also serve as replacements.

### Typical industries and applications

- Construction machinery ● Handling
- Furniture ● Packaging machines ●
- Textile machines ● Vehicle applications ●
- Woodworking machines ● Glass machines
- Automation ● General machinery, etc.



UL94-V2 classification - for series 14 and F17 (UL94-V0 upon request)



Electrically conductive ESD e-chains® upon request

Series	Inner height <i>hi</i> [mm]	Inner width <i>Bi</i> [mm]	Outer width <i>Ba</i> [mm]	Outer height <i>ha</i> [mm]	Bend radius <i>R</i> [mm]	Unsupported length ≤ [m]	Page
--------	--------------------------------	-------------------------------	-------------------------------	--------------------------------	------------------------------	--------------------------	------



**E2 mini - one-piece e-chains®**  
non-openable

10	18	15 - 100	26 - 113	23	028 - 180	1.20	310
11.031	23	31	41.2	28	045 - 070	≈1.35	314
11.080	28	80	93	33.4	038 - 065	1.50	316
11.1/11.2	41	15 - 25	25.5 - 35.5	46	040 - 100	≈1.35	318



**E2 mini - one-piece e-chains®**  
openable along the inner radius with film hinge

14	20	15 - 50	26 - 61	25	028 - 125	0.65	320
F17	32	15	26	39	048	1.20	330



**E2 mini - two-piece e-chains®**  
openable along the outer radius

B15	17	15 - 100	26 - 113	23	038 - 180	1.20	322
B17	32	15 - 100	25.5 - 113	39	048 - 125**	1.00	326



**E2 mini - two-piece e-chains®**  
openable along the inner radius

B15i	17	15 - 100	26 - 113	23	038 - 180	1.20	322
B17i	32	25 - 63	35.5 - 76	39	048 - 125**	1.00	326


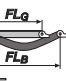


\*\*Some radii for B17i.2, not available (please see product range table).



Available from stock. Ready to ship in 24 - 48hrs.\*

\*Average time before the ordered goods are dispatched.

Technical data

	Speed gliding / acceleration gliding	$\leq 3$ [m/s] / $\leq 10$ [m/s <sup>2</sup> ]
	Speed $FL_G$ / acceleration $FL_G$	$\leq 20$ [m/s] / $\leq 200$ [m/s <sup>2</sup> ]
	Speed $FL_B$ / acceleration $FL_B$	$\leq 3$ [m/s] / $\leq 6$ [m/s <sup>2</sup> ]
	Material - permitted temperature °C, igumid G	-40°C / +120°C
	Material - permitted temperature °C, igumid NB (only Series 14)	-40°C / +80°C
	Material lower part - permitted temperature °C, igumid G (only Series B15/B15i, B17/B17i, F17)	-40°C / +120°C
	Material crossbar - permitted temperature °C, igumid NB (only Series B15/B15i, B17/B17i, F17)	-40°C / +80°C
	Flammability class	igumid G = VDE 0304 IIC UL94-HB / igumid NB = VDE 0304 IIC UL94-V2








■  $FL_G$  = unsupported with straight upper run ■  $FL_B$  = unsupported with permitted sag

Installation types, maximum travels

Series	Unsupported	Vertical hanging	Vertical standing	Side mounted unsupported	Rotary	Zig-zag
10*	$\leq 2.40m$	upon request	upon request	upon request	with rework	upon request
11.031	$\leq 2.70m$	upon request	upon request	upon request	—	upon request
11.080	$\leq 3.00m$	upon request	upon request	upon request	—	upon request
11.1/11.2	$\leq 2.70m$	upon request	upon request	upon request	with rework	upon request
14	$\leq 1.30m$	upon request	upon request	upon request	with rework	upon request
B15i / B15*	$\leq 2.40m$	upon request	upon request	upon request	with rework	upon request
B17i / B17	$\leq 2.00m$	upon request	upon request	upon request	with rework	upon request
F17	$\leq 2.40m$	upon request	upon request	upon request	with rework	upon request


\*Before using this series on gliding travels please consult igus®.

Options with order keys | Examples based on series B15


	Standard	NC version - (No Camber) without pretension	Reverse Bend Radius (RBR) for circular movements	ESD - electrically conductive material
	Part No. Standard	Part No. NC version	Part No. RBR	Part No. igumid ESD
				
	B15.025.R.0	B15.025.R.0.NC	B15.025.R1/R2.0	B15.025.R.0.ESD
	Ready to ship in 24 - 48hrs.*	Ready to ship in 3-5 business days*	Ready to ship in 12 business days* <sup>Ⓢ</sup>	Delivery time upon request

Ⓢ RBR version (Reverse Bend Radius) - some radii available from stock - further information and the complete product range ▶ From page 130  
\*Average time before the ordered goods are dispatched.





Order example | Order key and colour examples | Examples based on series B15

 Order example for complete e-chain® (1.0m), colour black, with mounting brackets and interior separation:

e-chain® (1.0m)	Please indicate e-chain® length or number of links: 1.0m or 33 links	B15.025.038.0
+ Mounting brackets	1 set (with tiwrap plates)	1025.34PZ
Interior separation	with 2 separators assembled every 2 <sup>nd</sup> link	2 x 154
Order text:	1m B15.025.038.0 + 1025.34PZ + 2 x 154	

 Order key

openable along the outer radius **B15.025.038.0**  
openable along the inner radius **B15i.025.038.0**

Series / Type   
Width index (depends on B)   
Bend radius R   
Colour index (standard black) 

Order index for colour options

Colour	Order index	Colour	Order index
Black	Standard .0	Orange	Special colour .2
Silver-grey	Special colour .31	Yellow	Special colour .4
White	Special colour .1	Light grey	Special colour .14
Grey-white	Special colour .1S		

Black e-chains® ready to ship in 24 - 48hrs.\*  
Above special colours upon request.



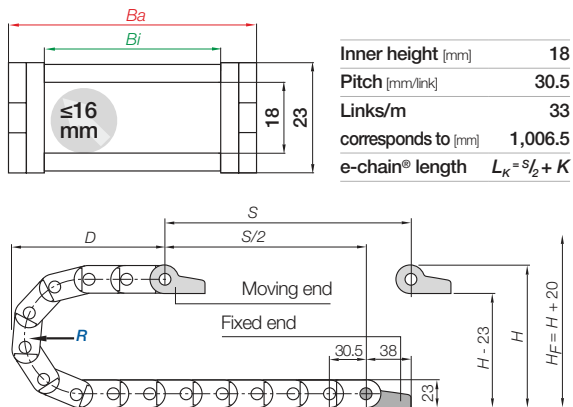
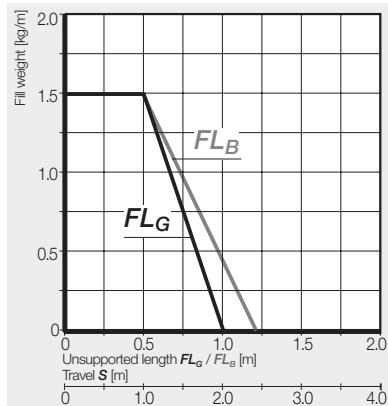
e-chains® | Series 10 | One-piece, non-openable

Part No.	Bi [mm]	Ba [mm]	R Available bend radii [mm]	Weight [kg/m]
10.015.R.0	15	26	028   038   048   075   100   110   125   145   180	≈ 0.35
10.025.R.0	25	36	028   038   048   075   100   110   125   145   180	≈ 0.40
10.038.R.0	38	49	028   038   048   075   100   110   125   145   180	≈ 0.46
10.050.R.0	50	61	028   038   048   075   100   110   125   145   180	≈ 0.52
10.5 .R.0	63	76	028   038   048   075   100   110   125   145   180	≈ 0.63
10.6 .R.0	80	94	028   038   048   075   100   110   125   145   180	≈ 0.70
10.7 .R.0	100	113	028   038   048   075   100   110   125   145   180	≈ 0.76

© RBR version (Reverse Bend Radius), some radii available from stock. More information ▶ From page 130

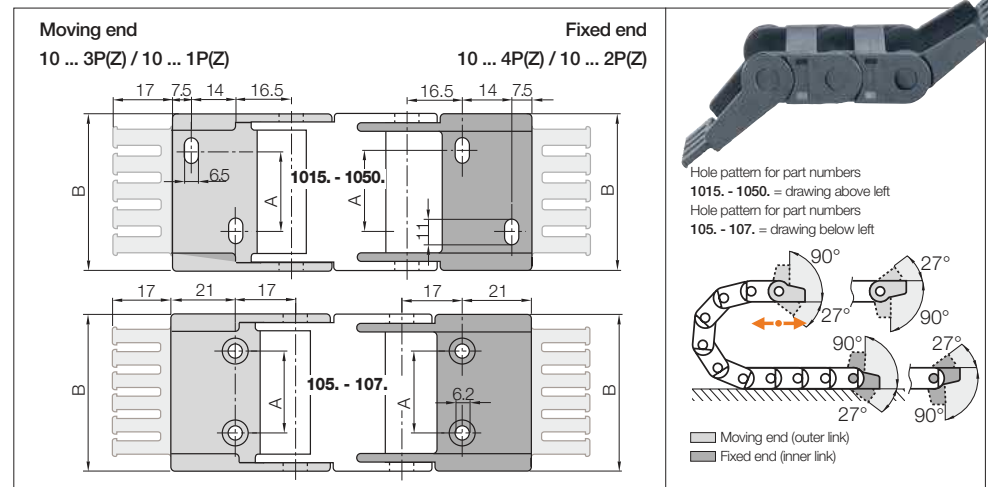
Complete Part No. with required radius (R). Example: 10.025.038.0

Installation dimensions

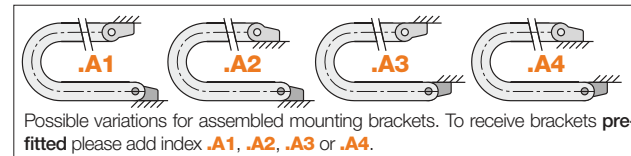


R	028	038	048	075	100	110	125	145	180
H	79	99	119	173	223	243	273	313	383
D	85	95	105	132	157	167	182	202	237
K	150	185	215	300	380	410	455	520	630

The required clearance height:  $H_f = H + 20\text{mm}$  (with 0.5kg/m fill weight)



Width index	Part No. full set pivoting	Part No. full set locking		A [mm]	B [mm]	Number of teeth
		with tie-wrap plates	without tie-wrap plate			
015. ▶	1015.34PZ   1015.34P	1015.12PZ	1015.12P	–	25.5	2
025. ▶	1025.34PZ   1025.34P	1025.12PZ	1025.12P	10	35.5	3
038. ▶	1038.34PZ   1038.34P	1038.12PZ	1038.12P	23	48.5	4
050. ▶	1050.34PZ   1050.34P	1050.12PZ	1050.12P	35	60.5	5
5. ▶	105.34PZ   105.34P	105.12PZ	105.12P	48	75.0	6
6. ▶	106.34PZ   106.34P	106.12PZ	106.12P	65	92.0	8
7. ▶	107.34PZ   107.34P	107.12PZ	107.12P	85	112	10



1025.34PZ.A1 Order example  
 .A... to indicate option with brackets pre-fitted with integrated strain relief tie-wrap plates  
 Full set  
 Series

Rotating energy supply systems with Reverse Bend Radius (RBR) - some radii available from stock

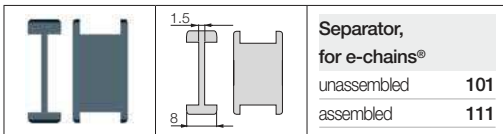
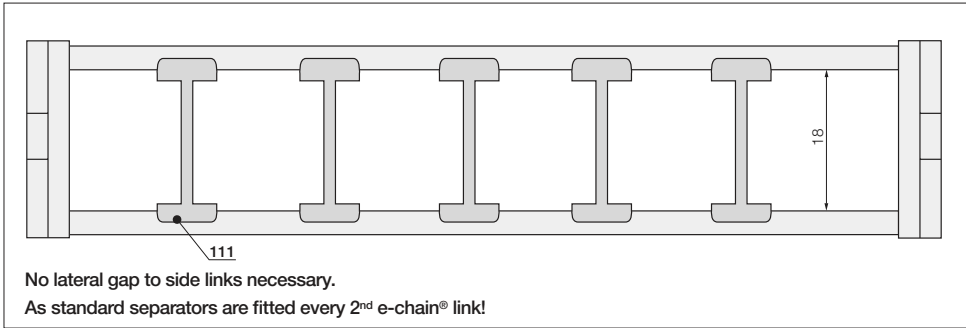
- Maximum rotation angle in minimal installation space
- Minimal friction forces and maximum service life
- Short delivery times from stock

More information and the complete product range ▶ From page 130





## Interior separation



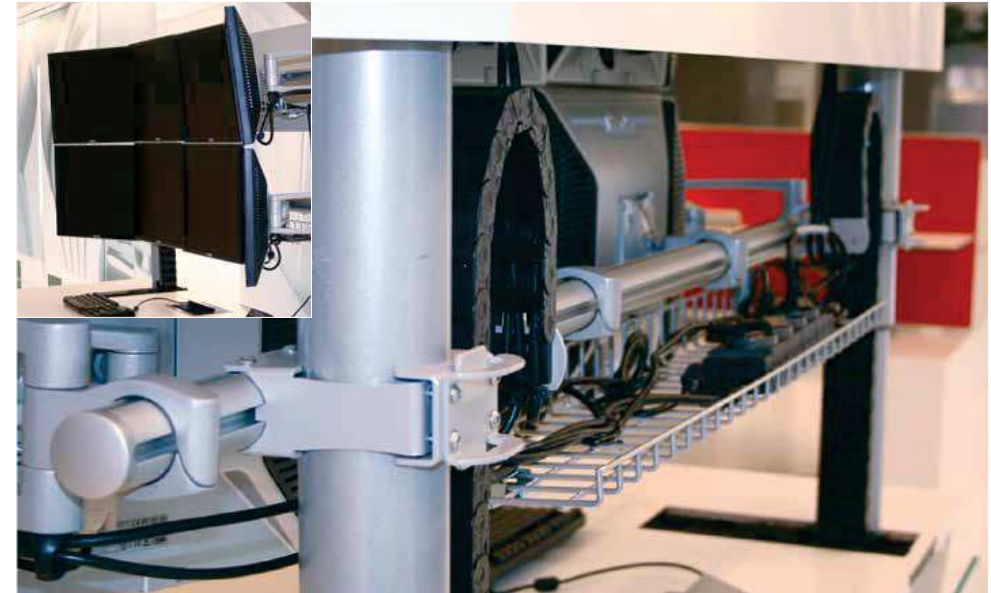
## Separator

For easy vertical separation. Separators can be arranged in any position in the cross-section. **Interior separation is not possible for series 10.015.R.0.**

## Options | With moulded-in vertical separation

Part No.	<i>Bi</i>	<i>Ba</i>	<i>R</i> Available bend radii	Chamber design	A	B	Weight
e-chains®	[mm]	[mm]	[mm]		[mm]	[mm]	[kg/m]
10.038.R.0.S	38	49	075		10	15	≈ 0.79
10.050.R.0.S	50	61	075		13	21	≈ 0.85

Complete Part No. with required radius (*R*). Example: 10.038.075.0.S or 10.050.075.0.S



Cost-effective cable guidance with E2 mini in a moving monitor application

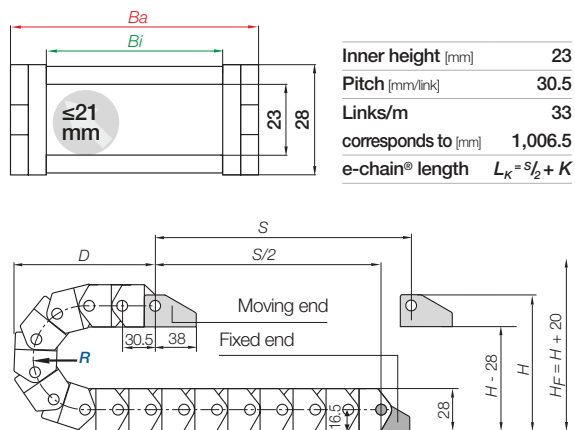
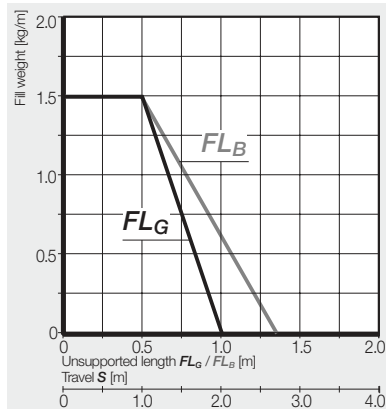


e-chains® | Series 11.031 | One-piece, non-openable

Part No.	Bi [mm]	Ba [mm]	R Available bend radii [mm]	Weight [kg/m]
11.031.R.0	31	41.2	045   070	≈ 0.43

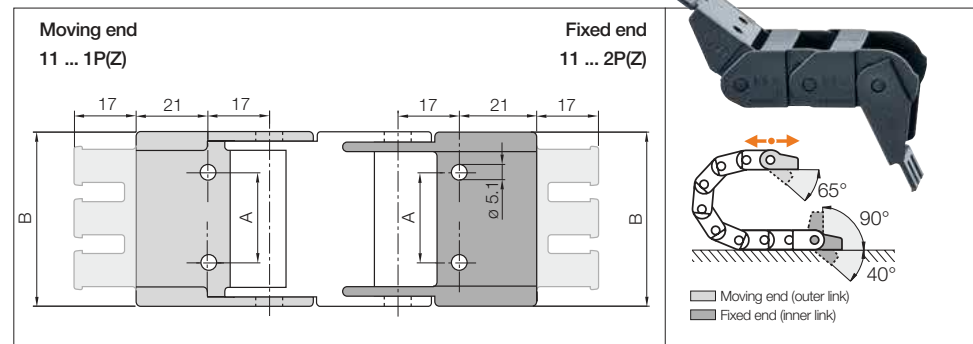
Complete Part No. with required radius (R). Example: 11.031.045.0

Installation dimensions

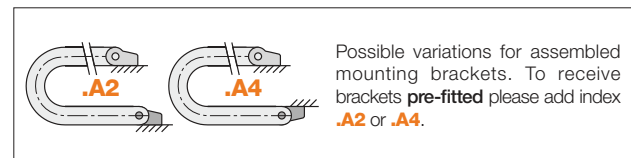


R	045	070
H	123	173
D	107	132
K	205	285

The required clearance height:  $H_f = H + 20\text{mm}$  (with 0.5kg/m fill weight)



Width index	Part No. full set with tie-wrap plates	Part No. full set without tie-wrap plates	A [mm]	B [mm]	Number of teeth
031. ►	11.031.12PZ	11.031.12P	16	42	3



Possible variations for assembled mounting brackets. To receive brackets pre-fitted please add index .A2 or .A4.



**11.031.12PZ.A2 Order example**  
 .A... to indicate option with brackets pre-fitted  
 With integrated strain relief tie-wrap plates  
 Full set  
 Series

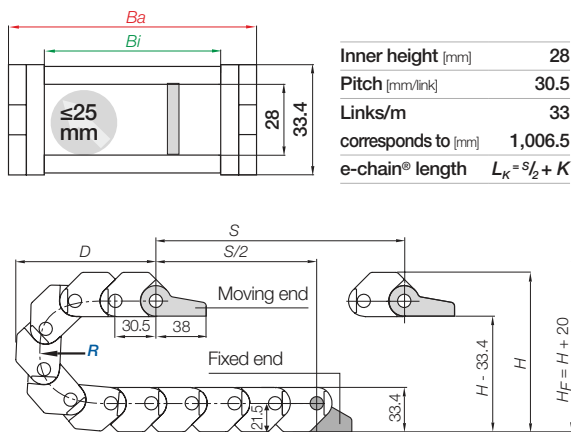
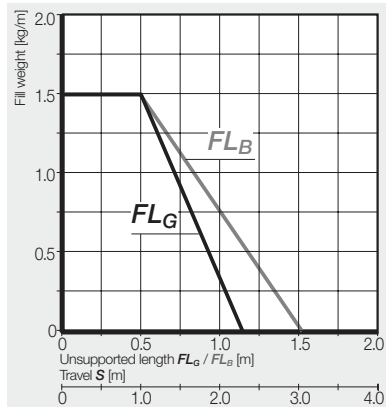


e-chains® | Series 11.080 | Non-openable, with moulded-in vertical separation

Part No.	Bi [mm]	Ba [mm]	R Available bend radii [mm]	Chamber design	A [mm]	B [mm]	Weight [kg/m]
11.080.R.0	80	93	038   065		46	32	≈ 0.73

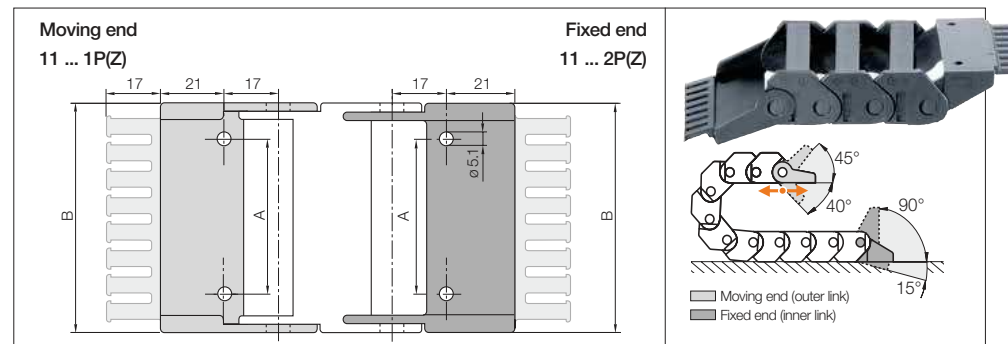
Complete Part No. with required radius (R). Example: 11.080.038.0

Installation dimensions

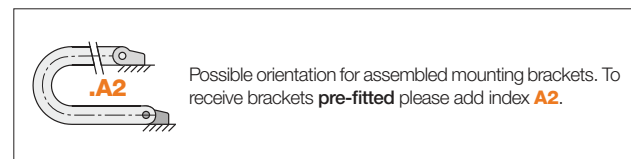


R	038	065
H	119	173
D	105	132
K	185	270

The required clearance height:  $H_f = H + 20\text{mm}$  (with 0.5kg/m fill weight)



Width index	Part No. full set with tiewrap plates	Part No. full set without tiewrap plates	A [mm]	B [mm]	Number of teeth
080. ►	11.080.12PZ	11.080.12P	65	93	8



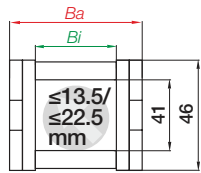
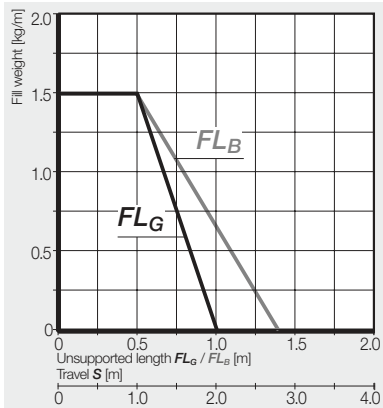


e-chains® | Series 11.1 11.2 | One-piece, non-openable

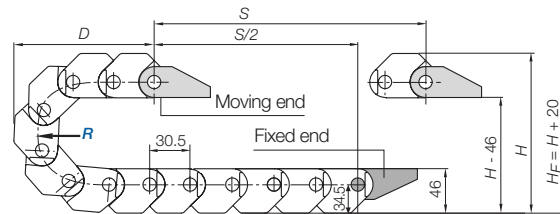
Part No.	Bi [mm]	Ba [mm]	R Available bend radii [mm]	Weight [kg/m]
11.1.R.0	15	25.5	040   063   075   100	≈ 0.50
11.2.R.0	25	35.5	040   063   075   100	≈ 0.53

Complete Part No. with required radius (R). Example: 11.1.040.0

Installation dimensions

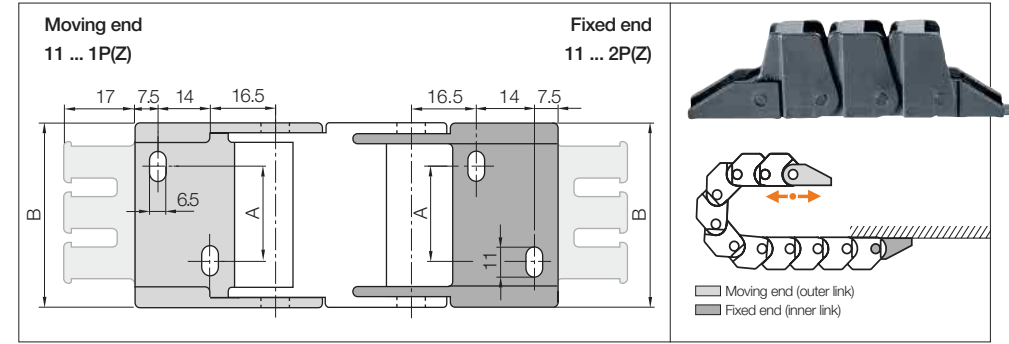


Inner height [mm]	41
Pitch [mm/link]	30.5
Links/m	33
corresponds to [mm]	1,006.5
e-chain® length	$L_K = S/2 + K$



R	040	063	075	100
H	149	195	219	269
D	120	143	155	180
K	190	260	300	380

The required clearance height:  $H_F = H + 20\text{mm}$  (with 0.5kg/m fill weight)



Width index	Part No. full set with tiewrap plates	Part No. full set without tiewrap plates	A [mm]	B [mm]	Number of teeth
1.	101.12PZ	101.12P	-	26	2
2.	102.12PZ	102.12P	10	36	3



Possible orientation for assembled mounting brackets. To receive brackets pre-fitted please add index **A4**.

**101.12PZ.A4** Order example

- .A... to indicate option with brackets pre-fitted
- With integrated strain relief tiewrap plates
- Full set
- Series



# E2 mini | Series 14 | Product range

Openable along the inner radius, enclosed outer radius

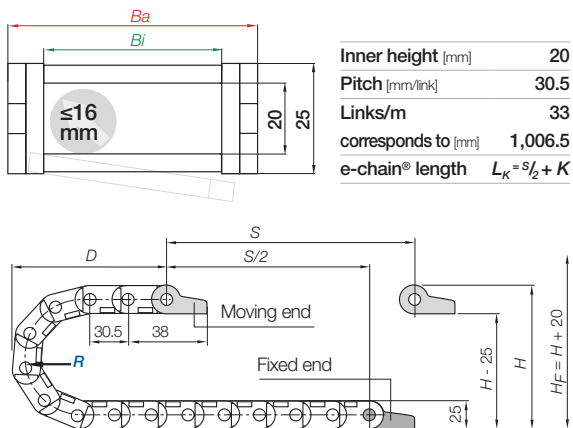
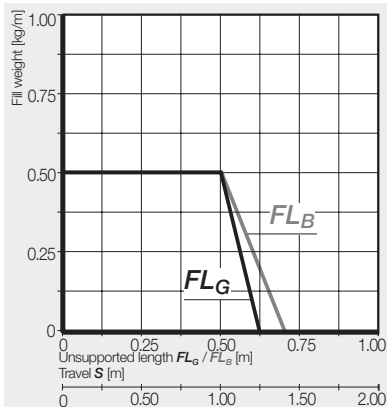


## e-chains® | Series 14 | Openable along the inner radius from one side with film hinge

Part No.	<i>Bi</i>	<i>Ba</i>	<i>R</i> Available bend radii						Weight
e-chains®	[mm]	[mm]	[mm]	[mm]	[mm]	[mm]	[mm]	[mm]	[kg/m]
14.1. <i>R</i> .0	15	26	028	038	048	075	100	125	≈ 0.31
14.2. <i>R</i> .0	25	36	028	038	048	075	100	125	≈ 0.32
14.3. <i>R</i> .0	38	49	028	038	048	075	100	125	≈ 0.40
14.4. <i>R</i> .0	50	61	028	038	048	075	100	125	≈ 0.41

Complete Part No. with required radius (*R*). Example: 14.2.038.0

### Installation dimensions

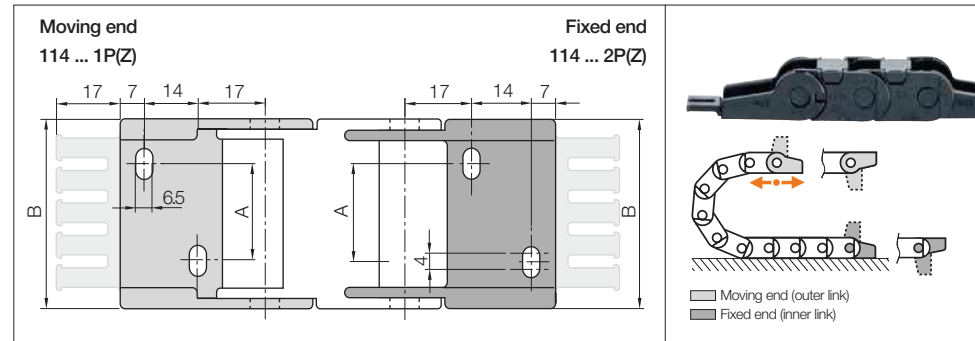


<i>R</i>	028	038	048	075	100	125
<i>H</i>	81	101	121	175	225	275
<i>D</i>	86	96	106	133	158	183
<i>K</i>	150	185	215	300	380	455

The required clearance height:  $H_F = H + 20\text{mm}$  (with 0.5kg/m fill weight)

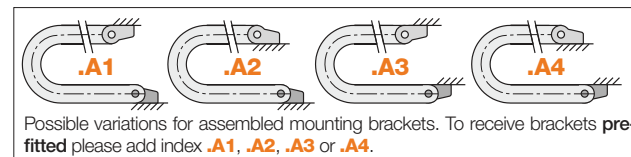
# E2 mini | Series 14 | Accessories

## Mounting brackets, polymer one-piece | Locking



Width index	Part No. full set with tiewrap plates	Part No. full set without tiewrap plates	A [mm]	B [mm]	Number of teeth
1.	114.1.12PZ	114.1.12P	-	26.3	2
2.	114.2.12PZ	114.2.12P	10	36.3	3
3.	114.3.12PZ	114.3.12P	23	49.3	4
4.	114.4.12PZ	114.4.12P	35	61.3	5

Material mounting bracket - igumid G, temperature: -40° up to +120°C, VDE 0304 IIC UL94-HB



**114.2.12PZ.A1** Order example  
 .A... to indicate option with brackets pre-fitted  
 With integrated strain relief tiewrap plates  
 Full set  
 Series

Openable along the inner or outer radius



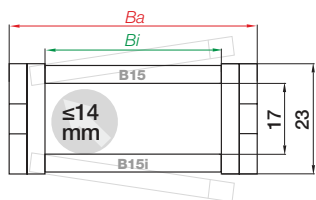
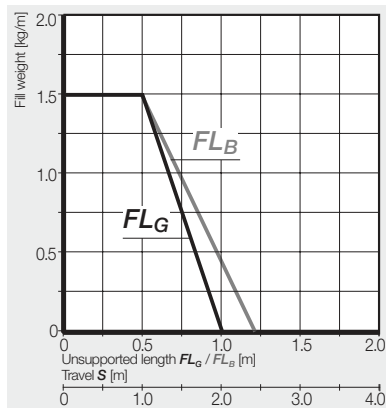
e-chains® Series B15i | Openable along the inner radius, from one side  
 e-chains® Series B15 | Openable along the outer radius, from one side

Part No. e-chains® openable along inner radius	Part No. e-chains® openable along outer radius	Bi [mm]	Ba [mm]	R Available bend radii [mm]	Weight [kg/m]
B15i.015.R.0	B15.015.R.0	15	26	038   048   075   100   110   125   145   180	≈ 0.35
B15i.025.R.0	B15.025.R.0	25	36	038   048   075   100   110   125   145   180	≈ 0.40
B15i.038.R.0	B15.038.R.0	38	49	038   048   075   100   110   125   145   180	≈ 0.46
B15i.050.R.0	B15.050.R.0	50	61	038   048   075   100   110   125   145   180	≈ 0.52
B15i.5.R.0	B15.5.R.0	63	76	038   048   075   100   110   125   145   180	≈ 0.63
B15i.6.R.0	B15.6.R.0	80	94	038   048   075   100   110   125   145   180	≈ 0.70
B15i.7.R.0	B15.7.R.0	100	113	038   048   075   100   110   125   145   180	≈ 0.76

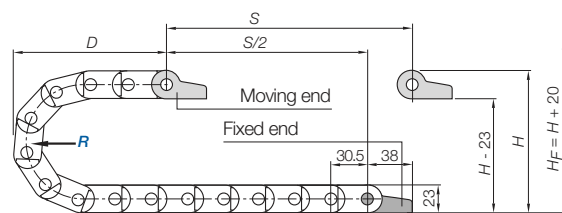
© RBR version (Reverse Bend Radius), some radii available from stock. More information ▶ From page 130

Complete Part No. with required radius (R). Example: B15.025.038.0

Installation dimensions



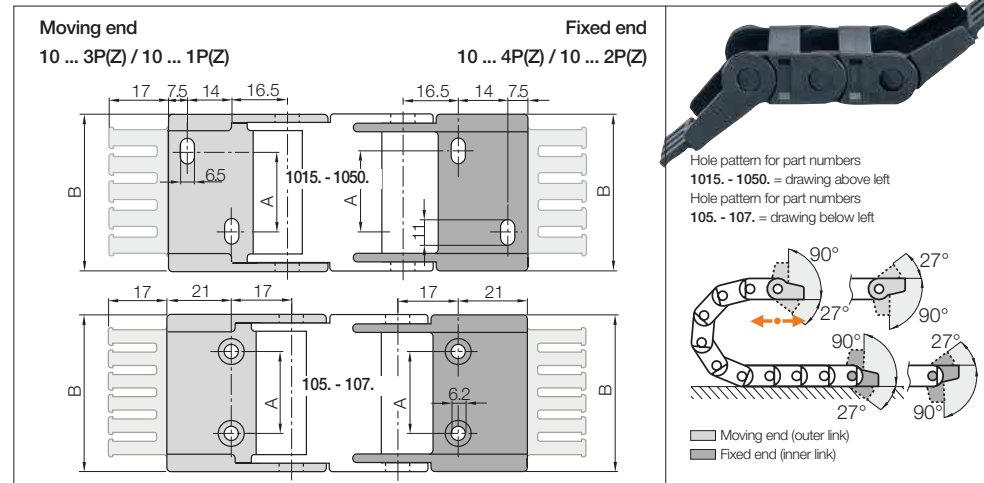
Inner height [mm] 17  
 Pitch [mm/link] 30.5  
 Links/m 33  
 corresponds to [mm] 1,006.5  
 e-chain® length  $L_K = S/2 + K$



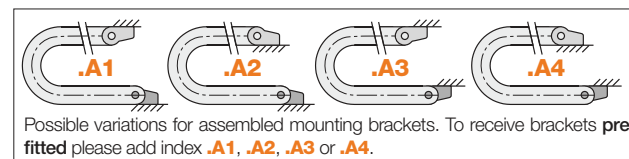
R	038	048	075	100	110	125	145	180
H	99	119	173	223	243	273	313	383
D	95	105	132	157	167	182	202	237
K	185	215	300	380	410	455	520	630

The required clearance height:  $H_F = H + 20\text{mm}$  (with 0.5kg/m fill weight)

Mounting brackets, polymer one-piece | Pivoting | Locking



Width index	Part No. full set pivoting	Part No. full set locking		A [mm]	B [mm]	Number of teeth	
		with tie-wrap plates	without tie-wrap plate				
015. ▶	1015.34PZ	1015.34P	1015.12PZ	1015.12P	–	25.5	2
025. ▶	1025.34PZ	1025.34P	1025.12PZ	1025.12P	10	35.5	3
038. ▶	1038.34PZ	1038.34P	1038.12PZ	1038.12P	23	48.5	4
050. ▶	1050.34PZ	1050.34P	1050.12PZ	1050.12P	35	60.5	5
5. ▶	105.34PZ	105.34P	105.12PZ	105.12P	48	75.0	6
6. ▶	106.34PZ	106.34P	106.12PZ	106.12P	65	92.0	8
7. ▶	107.34PZ	107.34P	107.12PZ	107.12P	85	112.0	10



Possible variations for assembled mounting brackets. To receive brackets pre-fitted please add index .A1, .A2, .A3 or .A4.

1025.34PZ.A1 Order example  
 .A... to indicate option with brackets pre-fitted  
 With integrated strain relief tie-wrap plates  
 Full set  
 Series

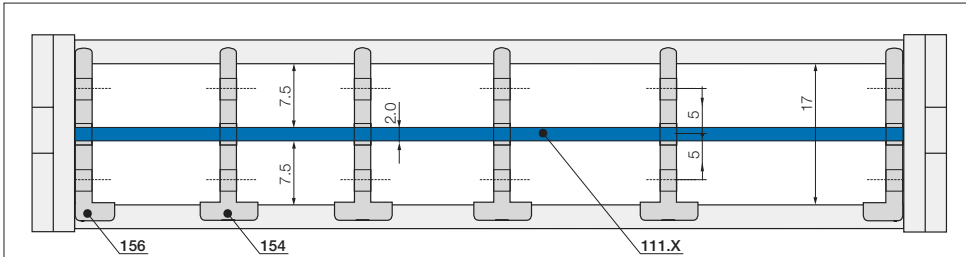
Rotating energy supply systems with Reverse Bend Radius (RBR) - some radii available from stock

- Maximum rotation angle in minimal installation space
- Minimal friction forces and maximum service life
- Short delivery times from stock

More information and the complete product range ▶ From page 130



Interior separation



No lateral gap to side links necessary.  
As standard separators are fitted every 2<sup>nd</sup> e-chain® link!

		<b>Slotted separator</b> unassembled <b>153</b> assembled <b>154</b>
--	--	--

**Slotted separator**  
Vertical separation. The slot allows basic vertical/horizontal shelving arrangements.

		<b>Slotted side plate</b> unassembled <b>155</b> assembled <b>156</b>
--	--	---

**Slotted side plate**  
Allows modular shelving right up to the side links. No clearance required!

		<b>Full-width shelf for e-chains®</b> unassembled <b>110.X</b> assembled <b>111.X</b>
--	--	---

**Full-width shelf**  
This option is for applications with many small cables with similar diameters. For full-width separation.

Full-width shelves Width = X [mm]	X [mm]	unassembled	assembled	X [mm]	unassembled	assembled	X [mm]	unassembled	assembled
		015	110.15	111.15	050	110.50	111.50	100	110.100
	025	110.25	111.25	063	110.63	111.63			
	038	110.38	111.38	080	110.80	111.80			



E2 mini is a space-saving, reliable cable guide, here supplying power to lift doors

Openable along the inner or outer radius



e-chains® Series B17i | Openable along the inner radius, from one side  
 e-chains® Series B17 | Openable along the outer radius, from one side

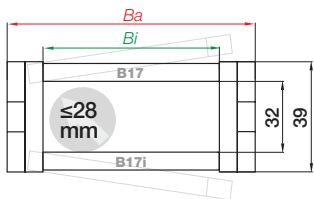
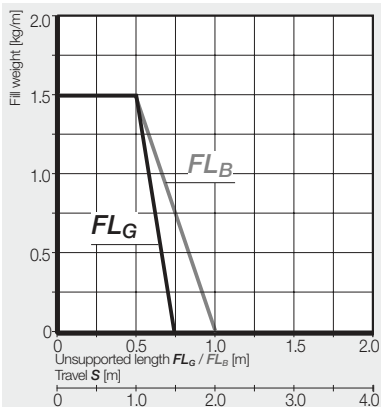
Part No. e-chains® openable along inner radius	Part No. e-chains® openable along outer radius	Bi [mm]	Ba [mm]	R Available bend radii [mm]	Weight [kg/m]
-	B17.1.R.0	15	25.5	048   063   075   100   125	≈ 0.52
B17i.2.R.0	B17.2.R.0	25	35.5	048   063*   075*   100*   125*	≈ 0.59
B17i.3.R.0	B17.3.R.0	38	48.5	048   063   075   100   125	≈ 0.65
B17i.4.R.0	B17.4.R.0®	50	60.5	048   063   075   100   125	≈ 0.70
B17i.5.R.0	B17.5.R.0®	63	76	048   063   075   100   125	≈ 0.83
-	B17.6.R.0	80	93	048   063   075   100   125	≈ 0.92
-	B17.7.R.0	100	113	048   063   075   100   125	≈ 1.06

\*Radii for B17i.2. not available

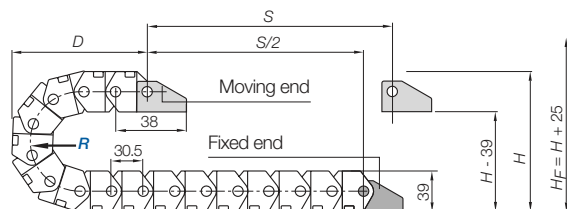
© RBR version (Reverse Bend Radius), some radii available from stock. More information ▶ From page 130

Complete Part No. with required radius (R). Example: B17.2.048.0

Installation dimensions



Inner height [mm] 32  
 Pitch [mm/link] 30.5  
 Links/m 33  
 corresponds to [mm] 1,006.5  
 e-chain® length  $L_K = S/2 + K$



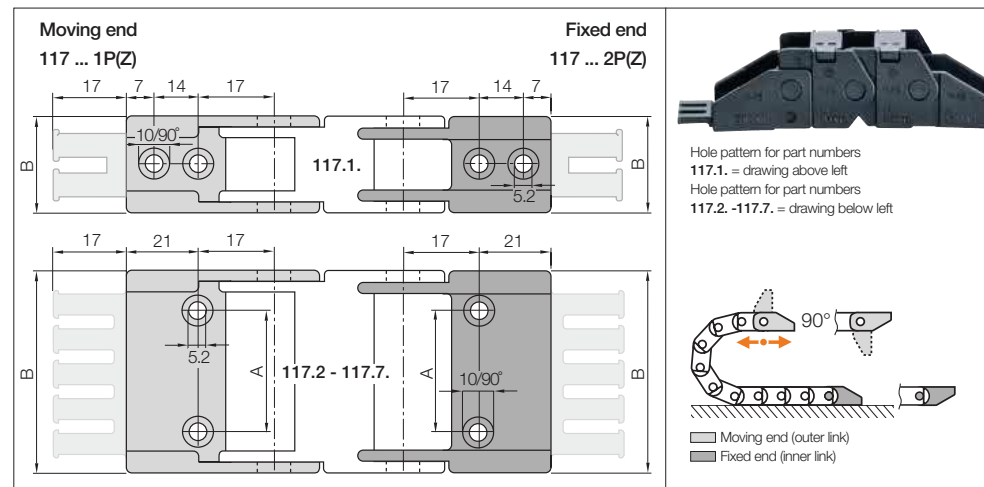
R	048	063*	075*	100*	125*
H	135	165	189	239	289
D	113	128	140	165	190
K	215	260	300	380	455

The required clearance height:  $H_f = H + 25$ mm (with 1.5kg/m fill weight)

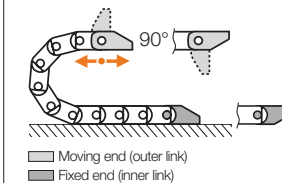
\*Radii for B17i.2. not available



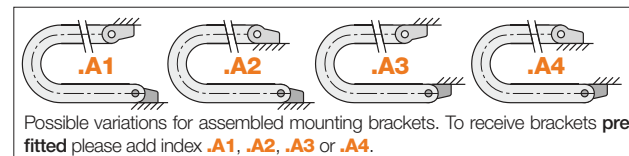
Mounting brackets, polymer one-piece | Locking



Hole pattern for part numbers 117.1. = drawing above left  
 Hole pattern for part numbers 117.2.-117.7. = drawing below left



Width index	Part No. full set with tie-wrap plates	Part No. full set without tie-wrap plates	A [mm]	B [mm]	Number of teeth
1. ▶	117.1.12PZ	117.1.12P	-	25.5	2
2. ▶	117.2.12PZ	117.2.12P	12	35.5	3
3. ▶	117.3.12PZ	117.3.12P	25	48.5	4
4. ▶	117.4.12PZ	117.4.12P	37	60.5	5
5. ▶	117.5.12PZ	117.5.12P	48	76.0	6
6. ▶	117.6.12PZ	117.6.12P	65	93.0	8
7. ▶	117.7.12PZ	117.7.12P	85	113	10



Possible variations for assembled mounting brackets. To receive brackets pre-fitted please add index .A1, .A2, .A3 or .A4.

117.2.12PZ.A1 Order example  
 .A... to indicate option with brackets pre-fitted with integrated strain relief tie-wrap plates  
 Full set  
 Series

Rotating energy supply systems with Reverse Bend Radius (RBR) - some radii available from stock

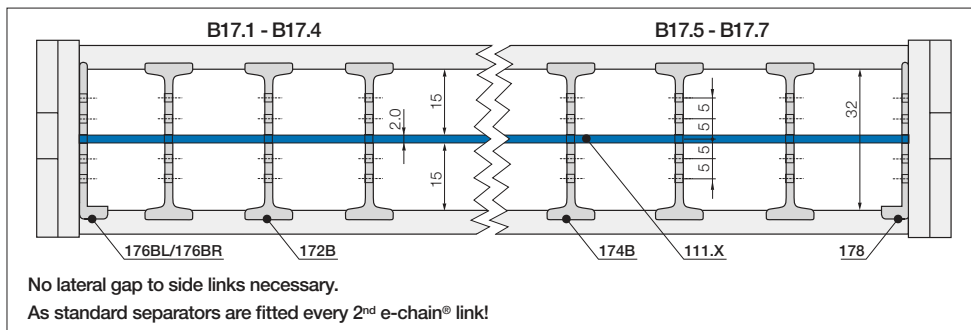
- Maximum rotation angle in minimal installation space
- Minimal friction forces and maximum service life
- Short delivery times from stock

More information and the complete product range ▶ From page 130





Interior separation



		<b>Slotted separator</b>	
		unassembled	<b>171B</b>
		assembled	<b>172B</b>

**For width index B17.1 up to B17.4**

**Slotted separator**

Vertical separation. The slot allows basic vertical/horizontal shelving arrangements.

		<b>Slotted side plate, left</b>	
		unassembled	<b>175BL</b>
		assembled	<b>176BL</b>

**Slotted side plate, left (from B17.2)**

Allows modular shelving right up to the side links. No clearance required!

		<b>Slotted side plate, right</b>	
		unassembled	<b>175BR</b>
		assembled	<b>176BR</b>

**Slotted side plate, right (from B17.2)**

Allows modular shelving right up to the side links. No clearance required!

		<b>Slotted separator</b>	
		unassembled	<b>173B</b>
		assembled	<b>174B</b>

**For width index B17.5 up to B17.7**

**Slotted separator**

Vertical separation. The slot allows basic vertical/horizontal shelving arrangements.

		<b>Slotted side plate</b>	
		unassembled	<b>177</b>
		assembled	<b>178</b>

**Slotted side plate**

Allows modular shelving right up to the side links. No clearance required!

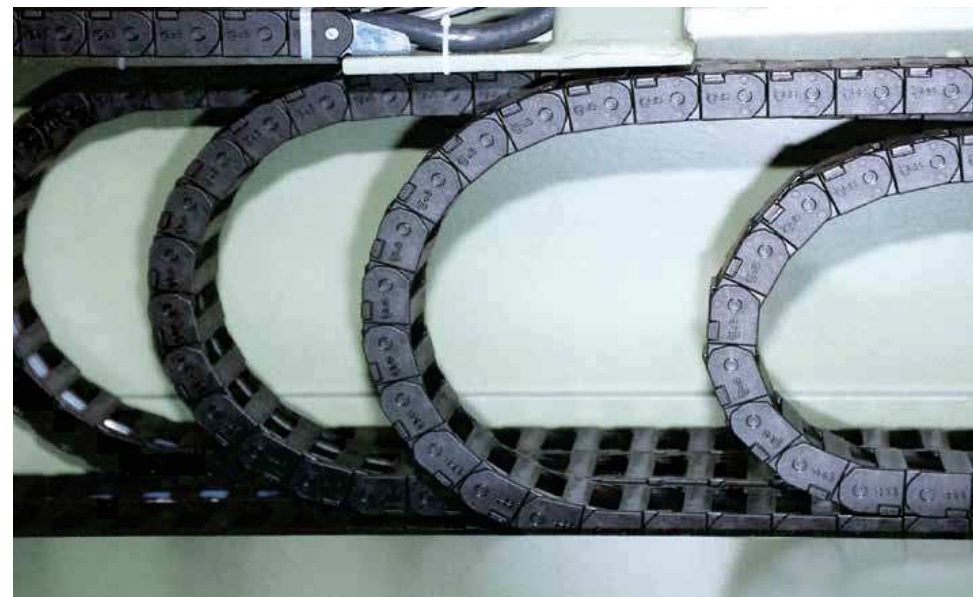
		<b>Full-width shelf for e-chains®</b>	
		unassembled	<b>110.X</b>
		assembled	<b>111.X</b>

**For all widths**

**Full-width shelf**

This option is for applications with many small cables with similar diameters. For full-width separation.

Full-width shelves Width = X [mm]	X [mm] unassembled		X [mm] assembled		X [mm] unassembled		X [mm] assembled	
	015	110.15	111.15	050	110.50	111.50	100	110.100
025	110.25	111.25	063	110.63	111.63			
038	110.38	111.38	080	110.80	111.80			



Five E2 mini chains installed above one another and side by side. The bend radii are exactly matched to each other



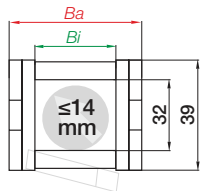
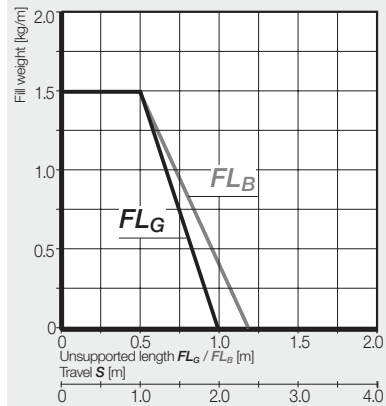


e-chains® | Series F17 | Openable along the inner radius from one side with film hinge

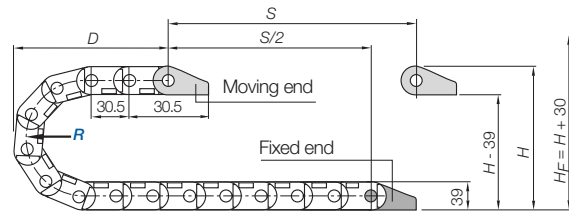
Part No.	Bi	Ba	R Available bend radii	Weight
e-chains®	[mm]	[mm]	[mm]	[kg/m]
F17.015.R.0	15	26	048   075	≈ 0.52

Complete Part No. with required radius (R). Example: F17.015.048.0

Installation dimensions

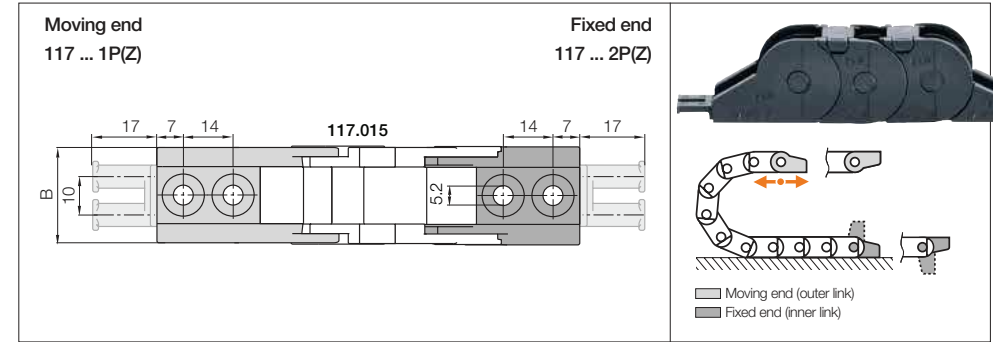


Inner height [mm]	32
Pitch [mm/link]	30.5
Links/m	33
corresponds to [mm]	1,006.5
e-chain® length $L_K = S/2 + K$	



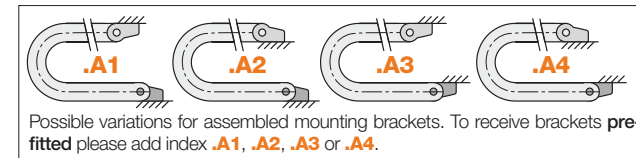
R	048	075
H	135	189
D	113	140
K	215	300

The required clearance height:  $H_f = H + 30$ mm (with 0.5kg/m fill weight)



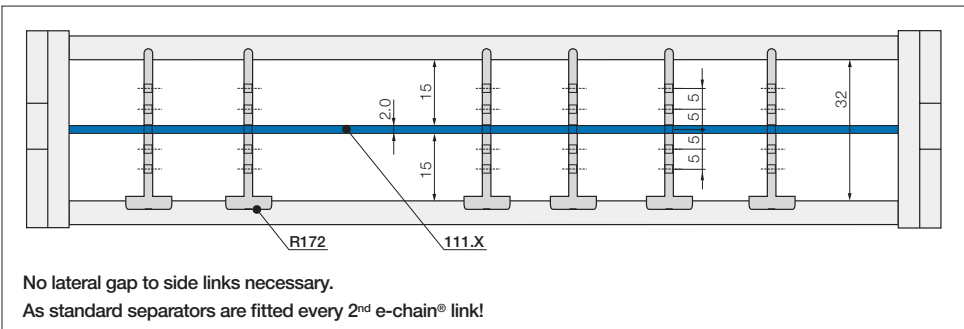
Width index	Part No. full set with tiewrap plates	Part No. full set without tiewrap plates	A [mm]	B [mm]	Number of teeth
015. ►	117.015.12PZ	117.015.12P	-	25.7	2

Material mounting bracket - igumid G, temperature: -40° up to +120°C, VDE 0304 IIC UL94-HB



**117.015.12PZ.A1** Order example  
 .A... to indicate option with brackets pre-fitted with integrated strain relief tiewrap plates  
 Full set  
 Series

Interior separation



		<b>Slotted separator</b> unassembled <b>R171</b> assembled <b>R172</b>
		<b>Full-width shelf for e-chains®</b> unassembled <b>110.X</b> assembled <b>111.X</b>

**Slotted separator**

Vertical separation in e-tubes. The slot allows basic vertical/horizontal shelving arrangements.

**Full-width shelf**

This option is for applications with many small cables with similar diameters. For full-width separation.

**Full-width shelves**  
Width = X [mm]

X [mm]	unassembled	assembled
015	110.15	111.15



E2 mini e-chain® with Reverse Bend Radius **RBR**