



KITO® maintenance-friendly spring-loaded relief valves



Exemplary protection for a combined spring-loaded pressure and vacuum relief valve

Deflagration and endurance burning proof pressure and vacuum valve for certain flammable liquids of explosion group IIA.

Available nominal sizes: DN 50, 80 and 100

Setting pressure:	Setting vacuum:
min. > 200 mbar	min. 3 mbar
max. 350 mbar	max. 100 mbar (DN 50)
	max. 50 mbar (DN 80 and 100)

Also available as non-explosion and endurance burning proof version KITO® VD/o-1 for nominal sizes DN 50 to 250.

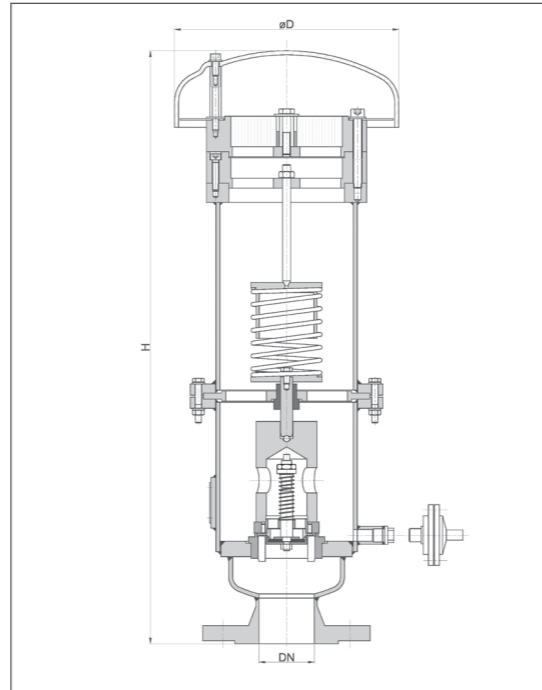


Image 3 KITO® VD/KS-1-IIA

Exemplary protection for a combined spring-loaded in-line pressure and vacuum relief valve

in-line pressure and vacuum relief valve

Available nominal sizes: DN 25, 32, 40, 50, 65, 80, 100, 125 and 150

Setting pressure:	Setting vacuum:
min. > 200 mbar	see catalogue type sheet F31.1
max. 350 mbar	

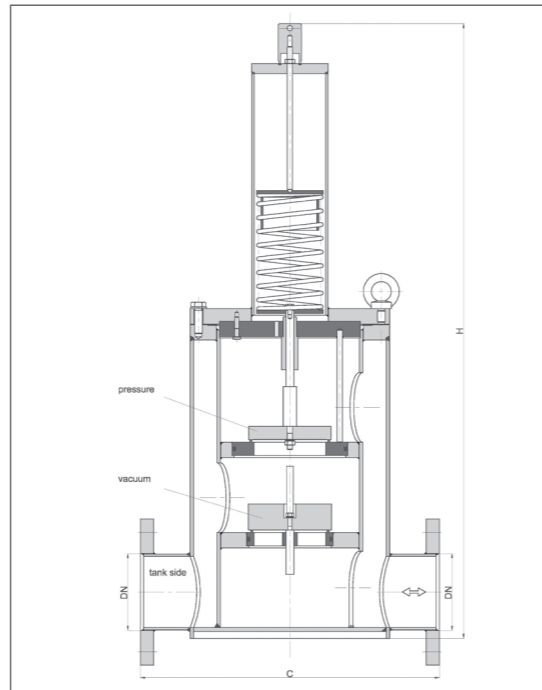


Image 4 KITO® VD/TG-1



KITO

Armaturen GmbH

QUALITY · PROTECTION · SAFETY



KITO® - High pressure solutions, spring-loaded relief valves, with friendly maintenance

Under the brand name KITO®, safety concepts for explosion and overpressure protection for stationary and mobile installations have been efficiently developed and manufactured in Braunschweig for over 90 years.



KITO® maintenance-friendly spring-loaded relief valves



Requirements

Process conditions often require high pressure protection which cannot be reasonably accomplished by weight loaded valves.

For these operating conditions KITO® offers suitable solutions with spring-loaded valves, which are also available in deflagration and endurance burning proof versions. KITO® use the cartridge design as standard.

Advantages

Due to the technical execution in cartridge design, no further adjustment of the setting pressure (spring tension) on a test bench is required after dismantling. This shortens the required maintenance time and also reduce the operating costs.

Maintenance or inspection of the spring-loaded valves on the tank or on site is also possible for smaller or medium nominal sizes.

The application limits regarding the setting pressure vary according to size and type for the KITO® spring-loaded relief valves and are at max. 350 mbar in gauge pressure.

For special requirements please contact the KITO® team!



KITO® VD-T3



KITO® KS-1-IIA with and without hood



KITO® maintenance-friendly spring-loaded relief valves



Exemplary protection for a spring-loaded pressure relief valve

Deflagration and endurance burning proof pressure relief valve for certain flammable liquids of explosion group IIA.

Available nominal sizes: DN 25, 50, 80 and 100

Setting pressure:

min. > 200 mbar

max. 350 mbar

Also available as non-explosion and endurance burning proof version KITO® DS/o-1 for nominal sizes from DN 25 to DN 250.

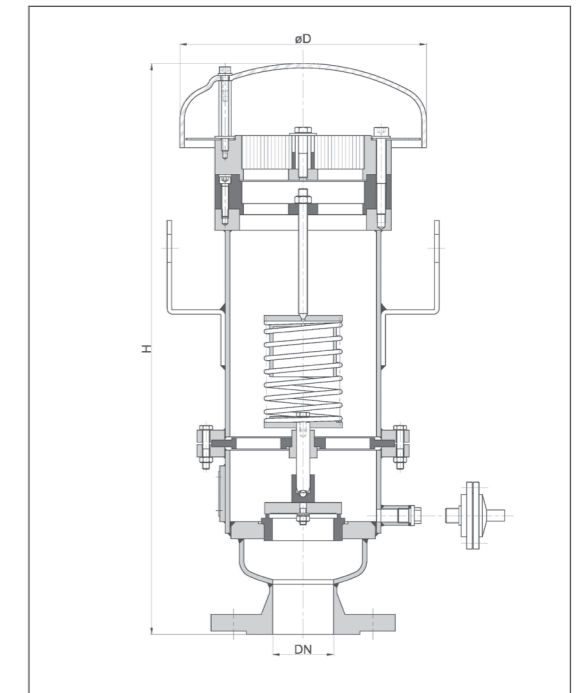


Image 1 KITO® DS/KS-1-IIA...-A (with Acrylic hood)

Exemplary protection for a spring-loaded vacuum relief valve

Deflagration-proof vacuum valve for flammable liquids and gases up to explosion group IIB3.

Available nominal sizes: DN 50 to DN 200

Setting pressure:

min. > 200 mbar (for DN 50, 80 and 100)

min. > 150 mbar (for DN 125 and 150)

min. > 100 mbar (for DN 200)

max. 350 mbar

Also available as non-explosion proof version KITO® VS/o-1 for nominal sizes from DN 50 to DN 200.

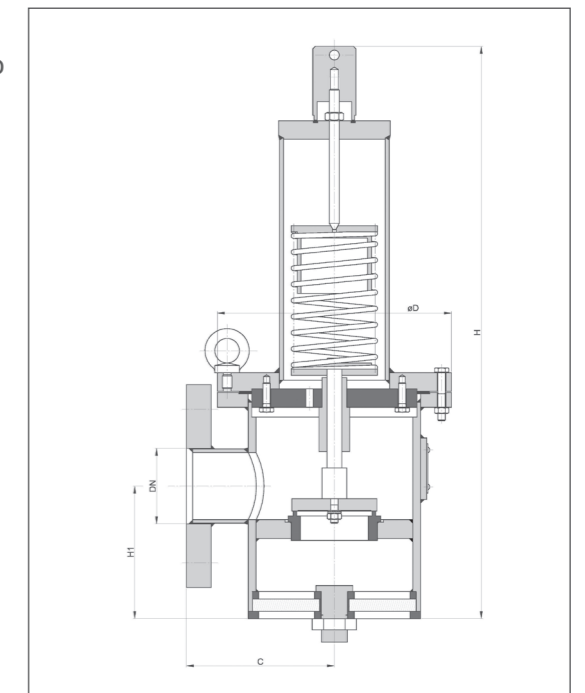


Image KITO® 2 VS/KS-1-IIB3