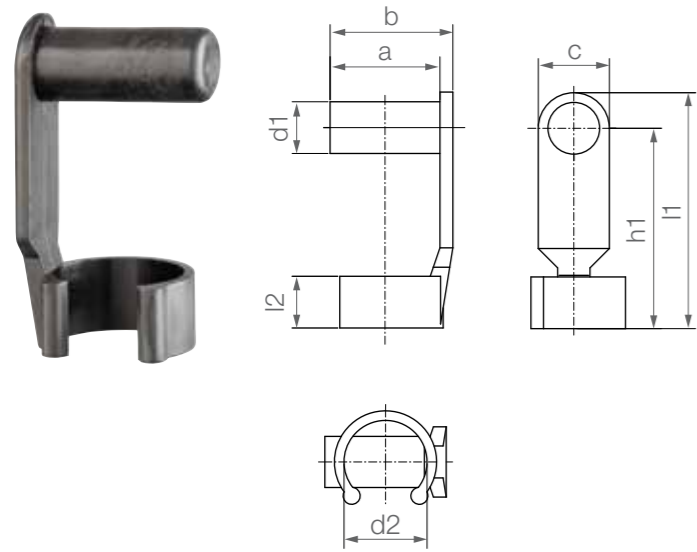


Spring-loaded fixing clips: GEFM



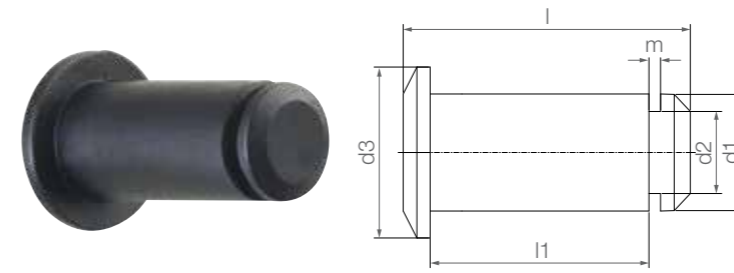
i Material:
igumid G ▶ Page 1654

Dimensions [mm]

Part No.	d1	d2	a	b	C	l1 ±0.5	h1	l2	Weight [g]
GEFM-04	4	8	9.5	10.5	8	19.0	15	4.5	0.5
GEFM-05 DIN	5	9	12.0	13.5	8	23.0	19	5.5	0.8
GEFM-05 DIN M5 LS ²²⁾	5	9	12.0	13.5	8	33.0	29	5.5	1.0
GEFM-05	5	10	14.0	15.5	8	27.0	23	6.5	1.1
GEFM-06 LS ²²⁾	6	10	14.0	15.5	8	39.0	35	6.5	1.0
GEFM-06	6	10	14.0	15.5	8	27.0	23	6.5	1.2
GEFM-08	8	14	19.0	21.0	11	35.5	30	8.0	2.8
GEFM-10	10	18	23.0	25.5	14	45.0	38	10.0	5.0
GEFM-12	12	20	28.0	31.0	16	53.0	45	12.0	8.3
GEFM-16	16	26	36.0	40.0	22	73.0	62	16.0	18.3

²²⁾ LS = longer shank

Clevis pins: GBM

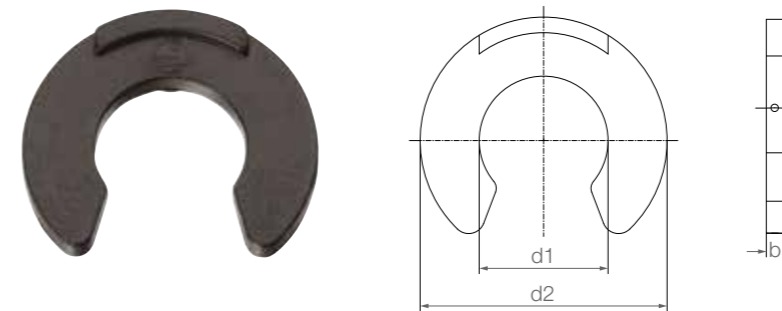


i Material:
igumid G ▶ Page 1654

Dimensions [mm]

Part No.	d1	d2	d3	l	l1	m	Clip	Weight [g]
GBM-04	4	3.2	7	12.5	8	1.05	GSR-04	0.3
GBM-05	5	4.0	8	16.5	12	1.15	GSR-06	0.5
GBM-05 DIN	5	4.0	8	14.5	10	1.15	GSR-06	0.5
GBM-06	6	4.0	9	16.5	12	1.15	GSR-06	0.7
GBM-08	8	5.0	12	21.5	16	1.15	GSR-08	1.5
GBM-10	10	7.0	15	27.0	20	1.35	GSR-10	3.0
GBM-12	12	9.0	18	31.5	24	1.50	GSR-12	4.8
GBM-14	14	12.0	22	36.0	27	1.70	GSR-16	5.7
GBM-15	15	12.0	23	36.0	27	1.70	GSR-16	8.3
GBM-16	16	12.0	24	42.0	32	1.70	GSR-16	10.4
GBM-17	17	12.0	25	42.0	32	1.70	GSR-16	12.3
GBM-20	20	15.0	30	51.0	40	2.00	GSR-20	19.2

Circlips: GSR



i Material:
POM ▶ Page 1656

Dimensions [mm]

Part No.	d1	d2	b	Weight [g]
GSR-04	3.2	7.0	1.0	0.05
GSR-06	4.0	9.0	1.1	0.06
GSR-08	5.0	11.0	1.1	0.12
GSR-10	7.0	14.0	1.3	0.16
GSR-12	9.0	18.5	1.4	0.31
GSR-16	12.0	23.0	1.6	0.58
GSR-20	15.0	28.0	1.9	0.96