

## Energy supply for crane girders and indoor cranes - guidefast

- The guidefast guide trough is mounted on the side of the crane girder so that welded brackets are not necessary
- Save up to 80% installation time compared to standard trough systems
- Cost-effective modular solution
- Fits virtually any standard crane girder
- 2 versions of brackets with integrated strain relief for assembly of static cables on the crane girder
- Suitable for any side-mounted application - not only on cranes
- Easy to install due to preassembled hole patterns of e-chain® brackets
- Standard material: galvanised steel,
- Optional: 304 stainless steel, material 1.4301 (AISI 304) or black powder coated
- Conductivity according to DIN EN 61537: as standard with special connector
- Long-term tested to withstand vibration and tough environments

### Typical industries and applications

- Crane manufacturers (mainly indoor cranes)
- Applications where the side installation of the guide trough is beneficial

Series Part No.	For e-chain® Series <i>Bi</i> [mm]	<i>B<sub>R</sub></i> [mm]	Overall width [mm]	Material trough profile	Page
<b>guidefast - without glide bar</b> for the following series: ● E2.26 ● E2.38 ● 1500 ● 2500 ● 2700					
GF91.30.025.2000	- 1500.025.	42.5	81	galvanised steel*	1371
GF91.30.050.2000	- 1500.050.	67.5	106	galvanised steel*	1371
GF92.30.03. 2000	E2.26.038. 2500.03.	58	96.5	galvanised steel*	1371
GF92.30.05. 2000	E2.26.057. 2500.05.	77	115.5	galvanised steel*	1371
GF92.30.07. 2000	E2.26.077. 2500.07.	97	135.5	galvanised steel*	1371
GF92.30.09. 2000	E2.26.089. 2500.09.	109	145.5	galvanised steel*	1371
GF92.30.10. 2000	E2.26.103. 2500.10.	123	161.5	galvanised steel*	1371
GF95.30.05. 2000	E2.38.050. 2700.05.	70	108.5	galvanised steel*	1371
GF95.30.07. 2000	E2.38.075. 2700.07.	95	133.5	galvanised steel*	1371
GF95.30.10. 2000	E2.38.100. 2700.10.	120	158.5	galvanised steel*	1371

<b>guidefast - with glide bar</b> for the following series: ● E2.26 ● E2.38 ● 1500 ● 2500 ● 2700					
GF91.31.025.2000	- 1500.025.	42.5	81	galvanised steel*	1371
GF91.31.050.2000	- 1500.050.	67.5	106	galvanised steel*	1371
GF92.31.03. 2000	E2.26.038. 2500.03.	58	96.5	galvanised steel*	1371
GF92.31.05. 2000	E2.26.057. 2500.05.	77	115.5	galvanised steel*	1371
GF92.31.07. 2000	E2.26.077. 2500.07.	97	135.5	galvanised steel*	1371
GF92.31.09. 2000	E2.26.089. 2500.09.	109	145.5	galvanised steel*	1371
GF92.31.10. 2000	E2.26.103. 2500.10.	123	161.5	galvanised steel*	1371
GF95.31.05. 2000	E2.38.050. 2700.05.	70	108.5	galvanised steel*	1371
GF95.31.07. 2000	E2.38.075. 2700.07.	95	133.5	galvanised steel*	1371
GF95.31.10. 2000	E2.38.100. 2700.10.	120	158.5	galvanised steel*	1371

\*Standard material: galvanised steel. Optional: 304 stainless steel, material 1.4301 (AISI 304) or black powder coated



Available from stock. Ready to ship in 24 - 48hrs.\*

\*Average time before the ordered goods are dispatched.



For the following igus® series

**E2.1**

- E2.26
- E2.38

**E2/000**

- 1500
- 2500
- 2700

**Components, guidefast set**

- ① Trough profile, 2m section
- ② Glide bar, polymer, 2m section, optional
- ③ Clip connector, Part No. 908.467  
(electrically conductive clip: 911.301.CD)

**Components - trough bracket**

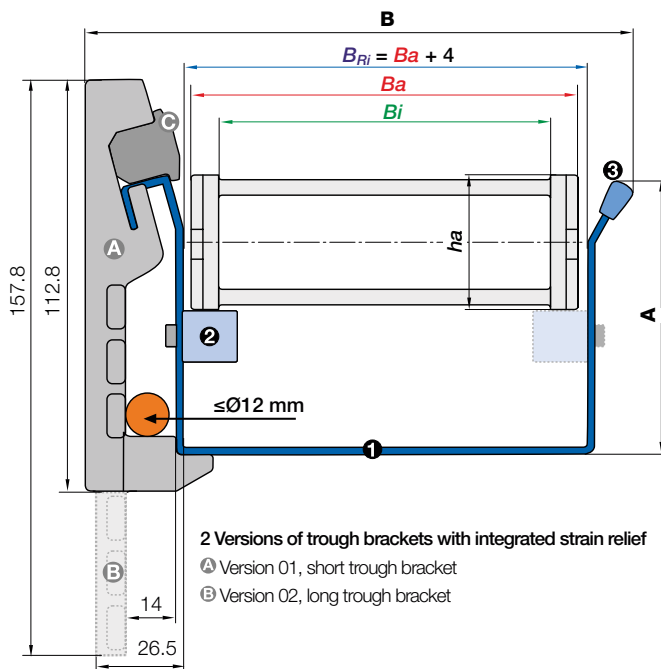
- A Version 01 - short trough bracket
- B Version 02, long trough bracket
- C Clamping blocks, Part No. G9.2.10

Ba = e-chain® outer width

Bi = e-chain® inner width

ha = e-chain® outer height

B<sub>Ri</sub> = Trough inner width



**2 Versions of trough brackets with integrated strain relief**

- A Version 01, short trough bracket
- B Version 02, long trough bracket



guidefast guide trough without glide bar, short trough bracket, standard length from stock 2m



guidefast guide trough with glide bar, short trough bracket, standard length from stock 2m

**Trough profile | Product range | Installation dimensions**

For e-chain® Series	Trough profile without glide bar (set with clips)	Trough profile with glide bar (set with clips)	B <sub>Ri</sub> [mm]	A [mm]	B [mm]
-	1500.025. GF91.30.025.2000	GF91.31.025.2000	42.5	61	81
-	1500.050. GF91.30.050.2000	GF91.31.050.2000	67.5	61	106
E2.26.038.	2500.03. GF92.30.03. 2000	GF92.31.03. 2000	58	75	97
E2.26.057.	2500.05. GF92.30.05. 2000	GF92.31.05. 2000	77	75	115.5
E2.26.077.	2500.07. GF92.30.07. 2000	GF92.31.07. 2000	97	75	135.5
E2.26.089.	2500.09. GF92.30.09. 2000	GF92.31.09. 2000	109	75	148
E2.26.103	2500.10. GF92.30.10. 2000	GF92.31.10. 2000	123	75	161.5
E2.38.050.	2700.05. GF95.30.05. 2000	GF95.31.05. 2000	70	105	108.5
E2.38.075.	2700.07. GF95.30.07. 2000	GF95.31.07. 2000	95	105	133.5
E2.38.100.	2700.10. GF95.30.10. 2000	GF95.31.10. 2000	120	105	158.5

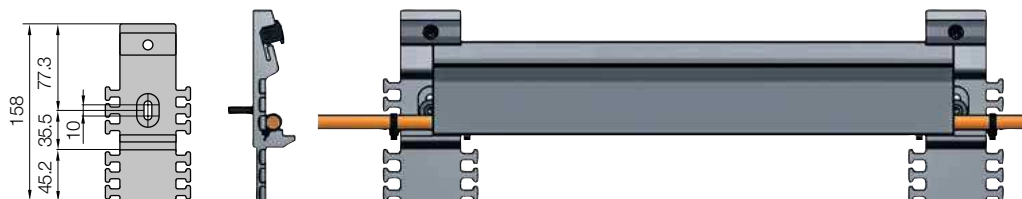
Standard material: galvanised steel. Optional: 304 stainless steel, material 1.4301 (AISI 304) or black powder coated

**Trough brackets with integrated strain relief | 2 versions | Product range | Installation dimensions**

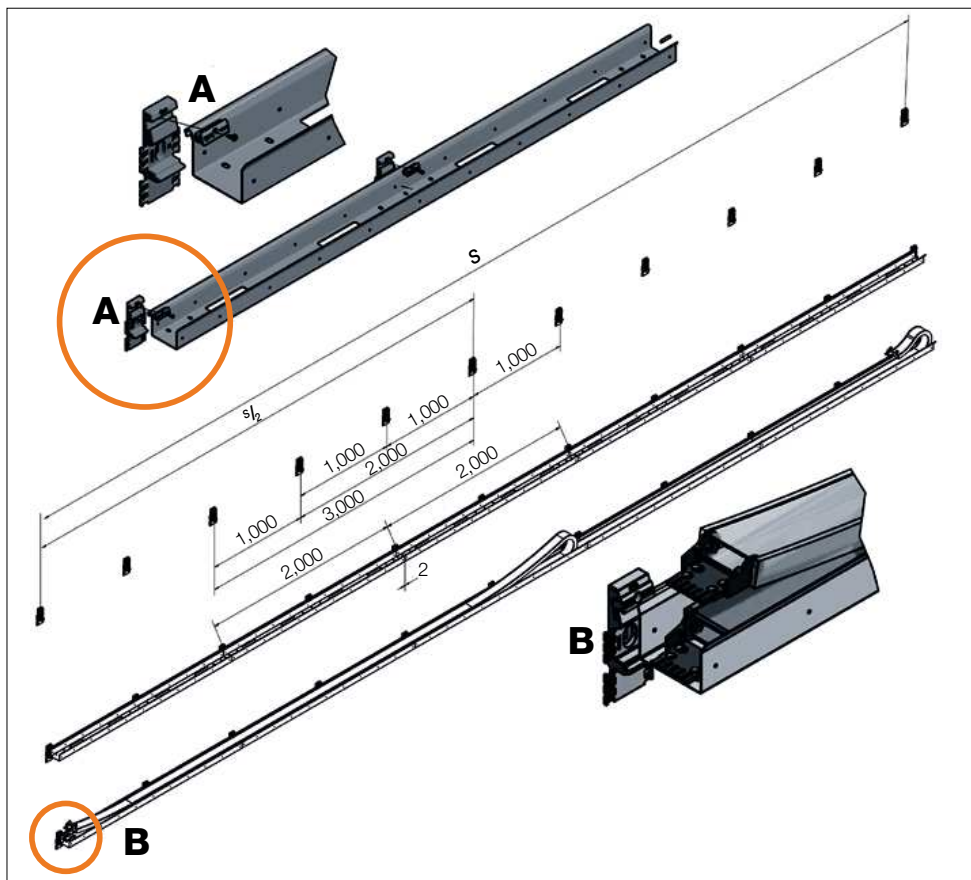
For Trough profile	guidefast trough bracket short version 01 (set with clamping blocks)	guidefast trough bracket long version 02 (set with clamping blocks)
GF91.XX.025.	GF9.2.12	GF9.2.11
GF91.XX.050.	GF9.2.12	GF9.2.11
GF92.XX.03.	GF9.2.12	GF9.2.11
GF92.XX.05.	GF9.2.12	GF9.2.11
GF92.XX.07.	GF9.2.12	GF9.2.11
GF92.XX.09.	GF9.2.12	GF9.2.11
GF92.XX.10.	GF9.2.12	GF9.2.11
GF95.XX.05.	GF9.2.12	GF9.2.11
GF95.XX.07.	GF9.2.12	GF9.2.11
GF95.XX.10.	GF9.2.12	GF9.2.11



Version 01 - short trough bracket Part No. GF9.2.12 with integrated strain relief, ± 5mm vertical adjustment (electrically conductive version: GF9.2.12.CD)



Version 02 - long trough bracket Part No. GF9.2.11 with integrated strain relief, ± 5mm vertical adjustment (electrically conductive version: GF9.2.11.CD)



Order example for end fed,  
travel  $\approx$  9.5m / guide trough 10m

Trough profile set **without** glide bar (incl. 5 clip connectors)

**Order text:** 10m = 5 x 2m sections trough profile, without glide bar

GF92.30.07.2000

Trough brackets (incl. 11 clamping blocks, "long" Version 02)

**Order text:** 11 x trough brackets

GF9.2.11



10m = 5 x 2m trough profile, without glide bar + 11 x trough brackets

10m = 5 x GF92.30.07.2000 + 11 x GF9.2.11



guidefast - attachment to the crane girder using welded bolts or nut/thread, here with version 2 long trough bracket