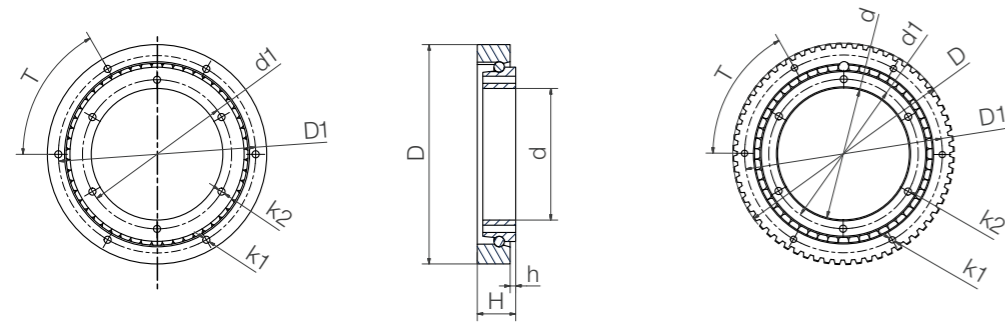


xiros® slewing ring ball bearings | Product range

xirodur® B180 – for absorbing higher axial loads



Technical data

Type	Load capacity		Max. permissible moment [Nm]	Max. speed [rpm]	Weight	
	Axial [N]	Radial [N]			ES [g]	glass [g]
Standard with stainless steel or glass balls						
RT-01-60	800	720	40	350	111.68	98.3
RT-01-100	1,600	1,250	60	250	283.85	243.76
Slewing ring ball bearings with xirodur® B180 cage						
RT-01-40-B180-30	500	260	30	900	63.46	–
RT-01-60-B180-30	600	300	30	800	101.22	–
RT-01-100-B180-30	1,020	760	55	650	248.90	–
RT-01-150-B180-30	2,000	1,100	75	600	398.00	–
RT-01-400-B180-30	5,800	2,900	170	500	–	6338
Slewing ring ball bearings with outer drive ring						
RT-01-60HDT5-B180-30	800	720	40	320	97.00	–



Order example:

- BB-RT-01-60-ES** = Standard slewing ring ball bearing with race material xirodur® B180 and stainless steel balls
- BB-RT-01-60-B180-30-ES** = Slewing ring ball bearing with race material xirodur® B180, xirodur® B180 cage and stainless steel balls
- BB-RT-01-60-HDT5-B180-ES** = Slewing ring ball bearing with race material xirodur® B180, outer drive ring and stainless steel balls
- BB-RT-01-60-HDT5-B180-30-ES** = Slewing ring ball bearing with race material xirodur® B180, outer drive ring, xirodur® B180 cage and stainless steel balls



Order key

Type	Design	Material
Ball bearings	Slewing ring ball bearings	Type 01
Inner Ø		Ball material

Options
Ball material
 ES = Stainless steel
 GL = Glass

BB-RT-01-60-ES



Order key with cage

Type	Design	Material
Ball bearings	Slewing ring ball bearings	Type 01
Inner Ø		Race material
		Cage material
		Ball material

BB-RT-01-60-B180-30-ES

Dimensions [mm]

d	d1	D	D1	h	H	T	k1	k2	Part No.
Standard with stainless steel or glass balls									
60	68	100	90	2.5	17.5	60	3.3	3.3	BB-RT-01-60-□
100	110	160	150	5.0	20.0	60	5.2	5.2	BB-RT-01-100-□
Slewing ring ball bearings with xirodur® B180 cage									
40	47	80	72	2.5	15	60	3.3	3.3	BB-RT-01-40-B180-30-ES
60	68	100	90	2.5	17.5	60	3.3	3.3	BB-RT-01-60-B180-30-ES
100	110	160	150	5.0	20	60	5.2	5.2	BB-RT-01-100-B180-30-ES
150	163	210	197	5.0	20	60	6.1	6.1	BB-RT-01-150-B180-30-ES
400	450	600	550	10.0	40	51.43	8.0	8.0	BB-RT-01-400-B180-30-GL
Slewing ring ball bearings with outer drive ring									
60	68	100	90	2.5	17.5	60	M3	3.3	BB-RT-01-60HDT5-B180-30-ES



Available from stock