

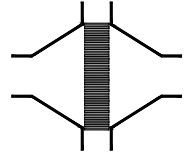


Type sheet

Condensate drain flame arrester -

End-of-line deflagration flame arrester endurance burning proof

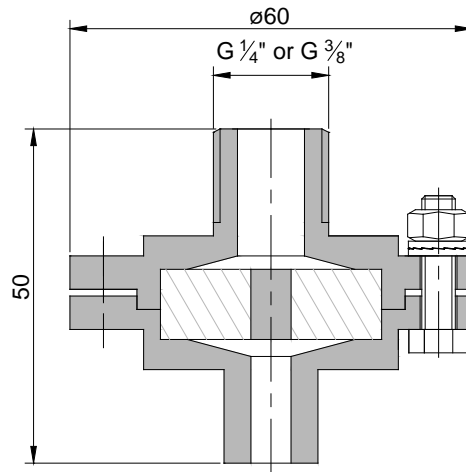
KITO® SK/K-IIA-...



Application

Fittings for screwing in armature housings, of endurance-burn proof pressure valves and combined PV valves for all inflammable liquids and vapors of explosion group IIA with MESG > 0.9 mm. The condensate drain device enables draining of the condensate inside the housing to the outside and prevents flames from entering the valves

Dimensions (mm)



KITO® VD/KS-IIA-50-A with attached KITO® SK/K-IIA-1/4"



Example for order

KITO® SK/K-IIA-1/4"

(design with threaded connection G 1/4")

Type examination certificate to EN ISO 16852 and CE-marking in accordance to ATEX-Directive 2014/34/EU

Design

	standard	optionally
housing	stainless steel mat. no. 1.4571	
KITO®-grid	stainless steel mat. no. 1.4571	
bolts / nuts	A4	
connection	thread G 1/4"	thread G 3/8"