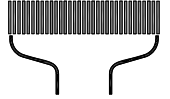




Type sheet

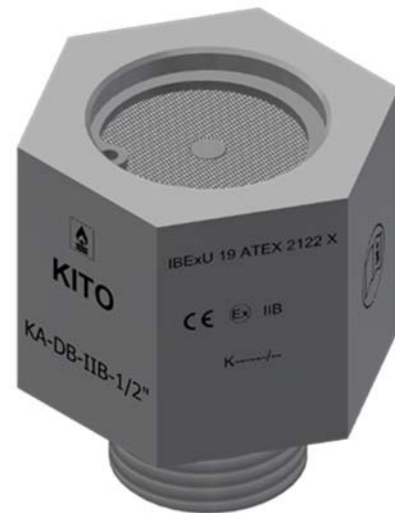
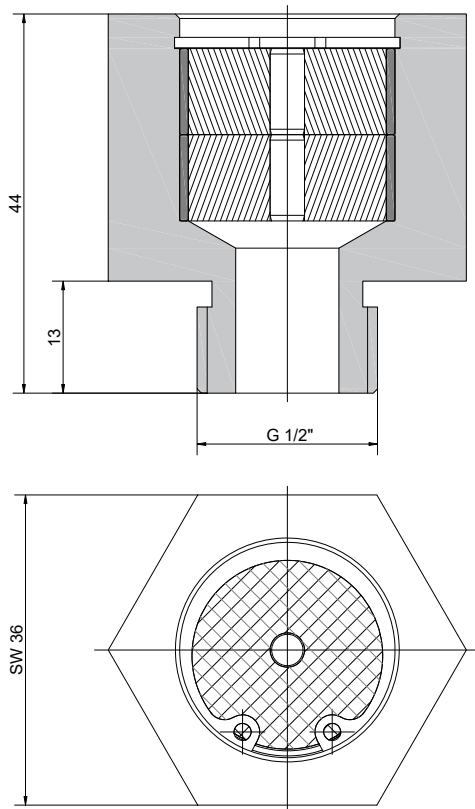
Condensate drain flame arrester -
End-of-line deflagration flame arrester endurance burning proof
KITO® KA-DB-IIB-1/2"



Application

Fittings for screwing in armature housings, of endurance-burn proof pressure valves and combined PV valves for all inflammable liquids and vapors of explosion group IIB with NSW >= 0.5 mm. The condensate drain device enables draining of the condensate inside the housing to the outside and prevents flames from entering the valves

Dimensions (mm)



Example for order

KITO® KA-DB-IIB-1/2"
(design with threaded connection G 1/2")

Type examination certificate to EN ISO 16852 and CE-marking in accordance to ATEX-Directive 2014/34/EU

Design

| | standard | optionally |
|----------------|---------------------------------|------------|
| housing | stainless steel mat. no. 1.4571 | |
| KITO®-grid | stainless steel mat. no. 1.4571 | |
| retaining ring | stainless steel | |
| connection | thread G 1/2" | |